

US00D909270S

(12) **United States Design Patent** (10) **Patent No.:** **US D909,270 S**
Lopes et al. (45) **Date of Patent:** **** Feb. 2, 2021**

(54) **VEHICLE WHEEL**

(71) Applicant: **Maxion Wheels Germany Holding GmbH, Königswinter (DE)**

(72) Inventors: **Carlos Eduardo Lopes, Sao Paulo (BR); Alexandre Motta, Sao Paulo (BR)**

(**) Term: **15 Years**

(21) Appl. No.: **35/507,508**

(22) Filed: **Mar. 18, 2019**

(80) **Hague Agreement Data**

Int. Filing Date: **Mar. 18, 2019**

Int. Reg. No.: **DM/203216**

Int. Reg. Date: **Mar. 18, 2019**

Int. Reg. Pub. Date: **Oct. 11, 2019**

(30) **Foreign Application Priority Data**

Sep. 18, 2018 (DE) 40 2018 100 942

(51) **LOC (13) Cl.** **12-16**

(52) **U.S. Cl.**
USPC **D12/208**

(58) **Field of Classification Search**
USPC D12/208, 204, 210, 212
See application file for complete search history.

(56) **References Cited**

U.S. PATENT DOCUMENTS

D773,974 S * 12/2016 DeGeorge D12/208

D810,645 S * 2/2018 Sklyut D12/204

D853,927 S * 7/2019 Sklyut D12/204

* cited by examiner

Primary Examiner — George D. Kirschbaum

(57) **CLAIM**

The ornamental design for the vehicle wheel, as shown and described.

DESCRIPTION

1.-2. Vehicle wheel

1.1 : Perspective

1.2 : Front

1.3 : back view, perspective

1.4 : Back

1.5 : top, side and bottom view

2.1 : Perspective

2.2 : Front

2.3 : back view, perspective

2.4 : Back

2.5 : top, side and bottom view

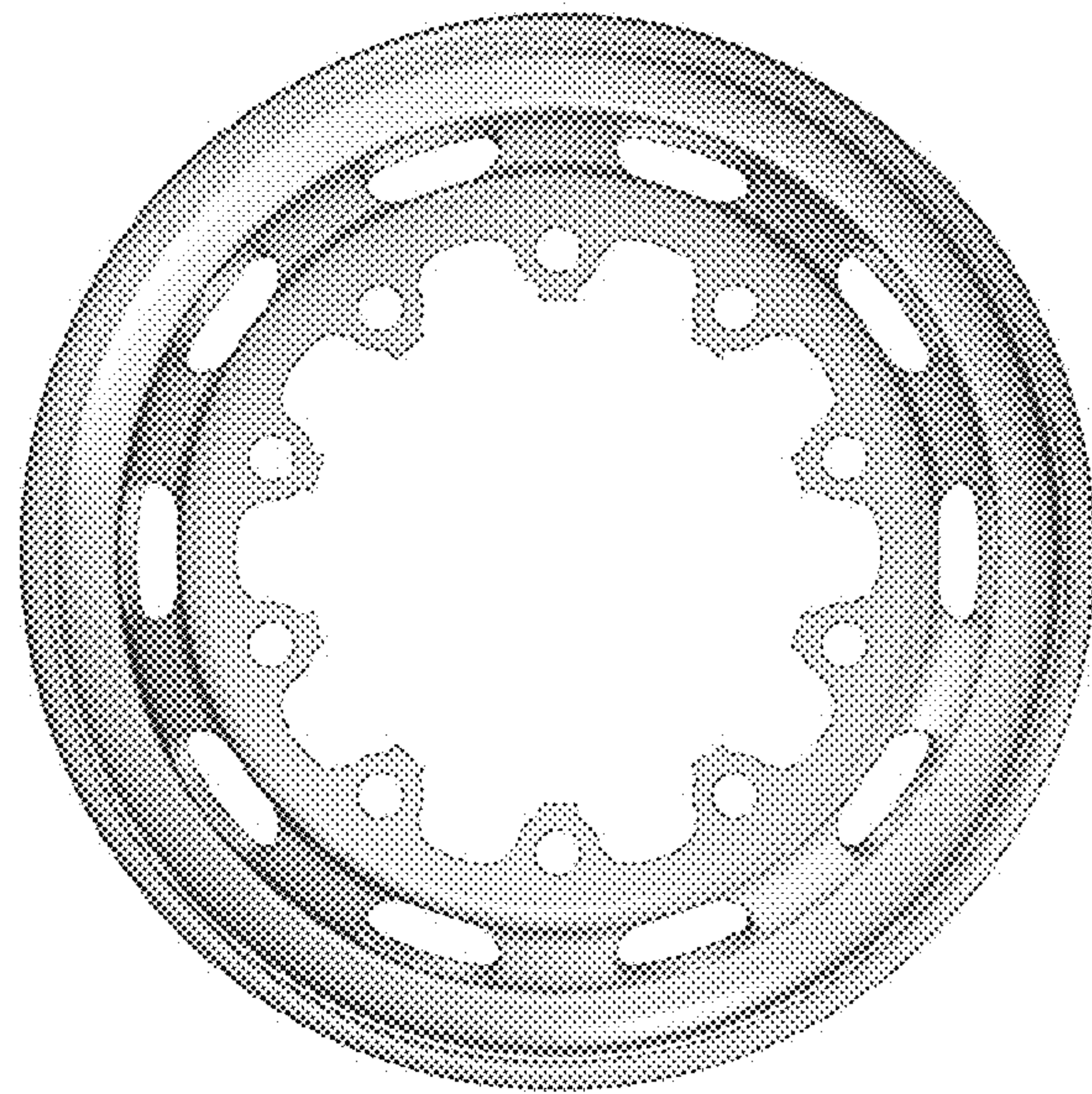
1 Claim, 10 Drawing Sheets



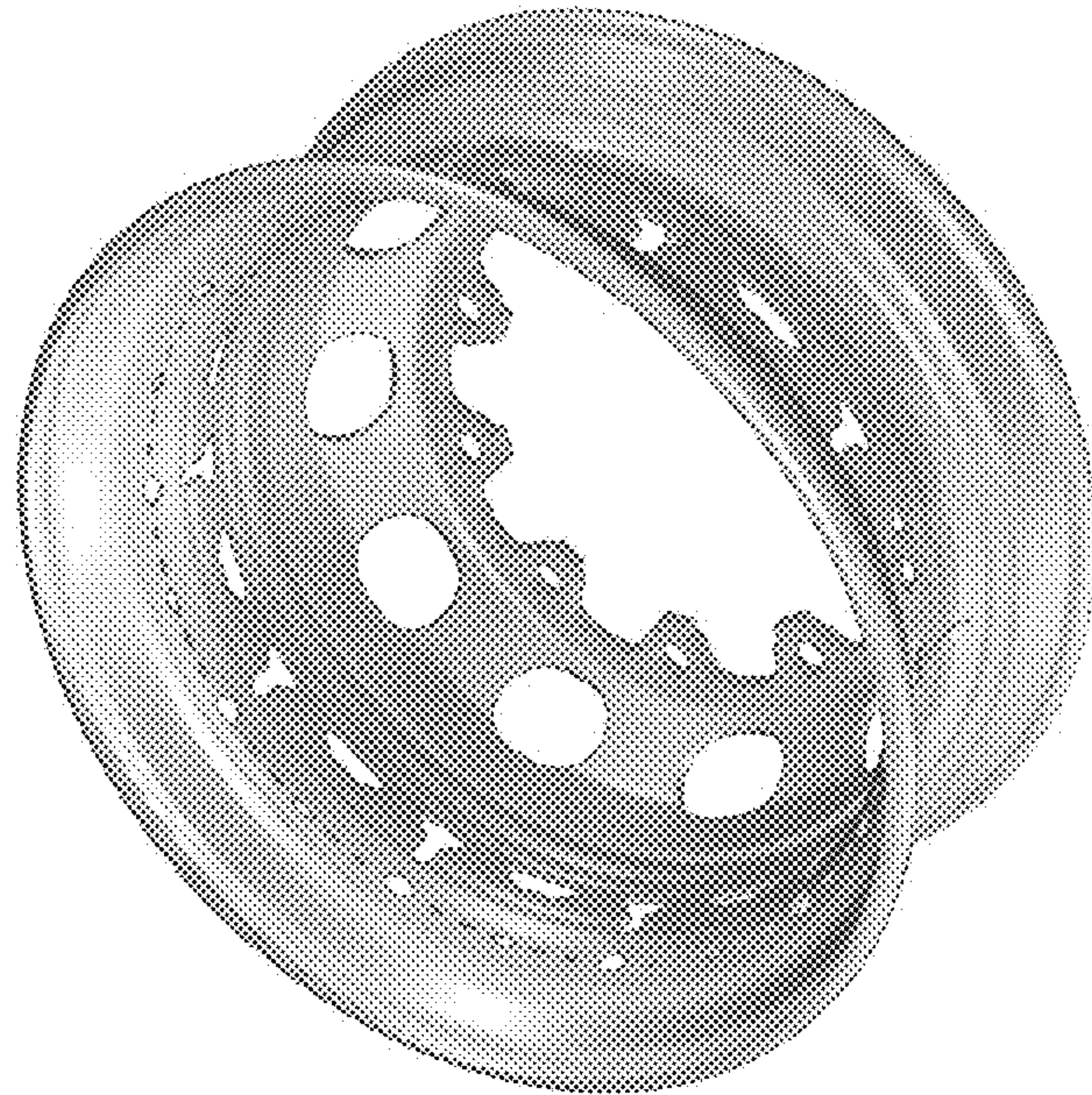
1.1



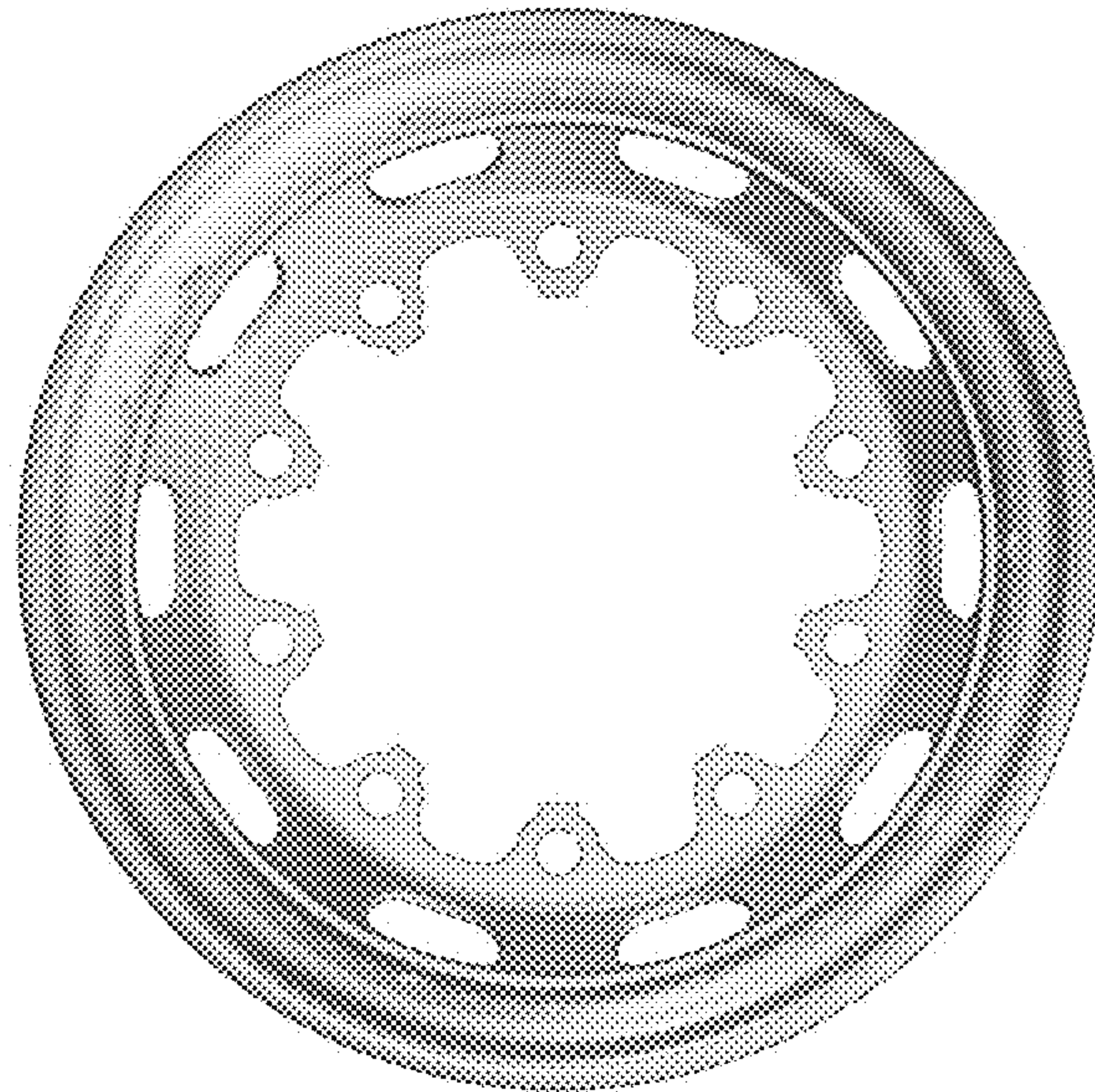
1.2



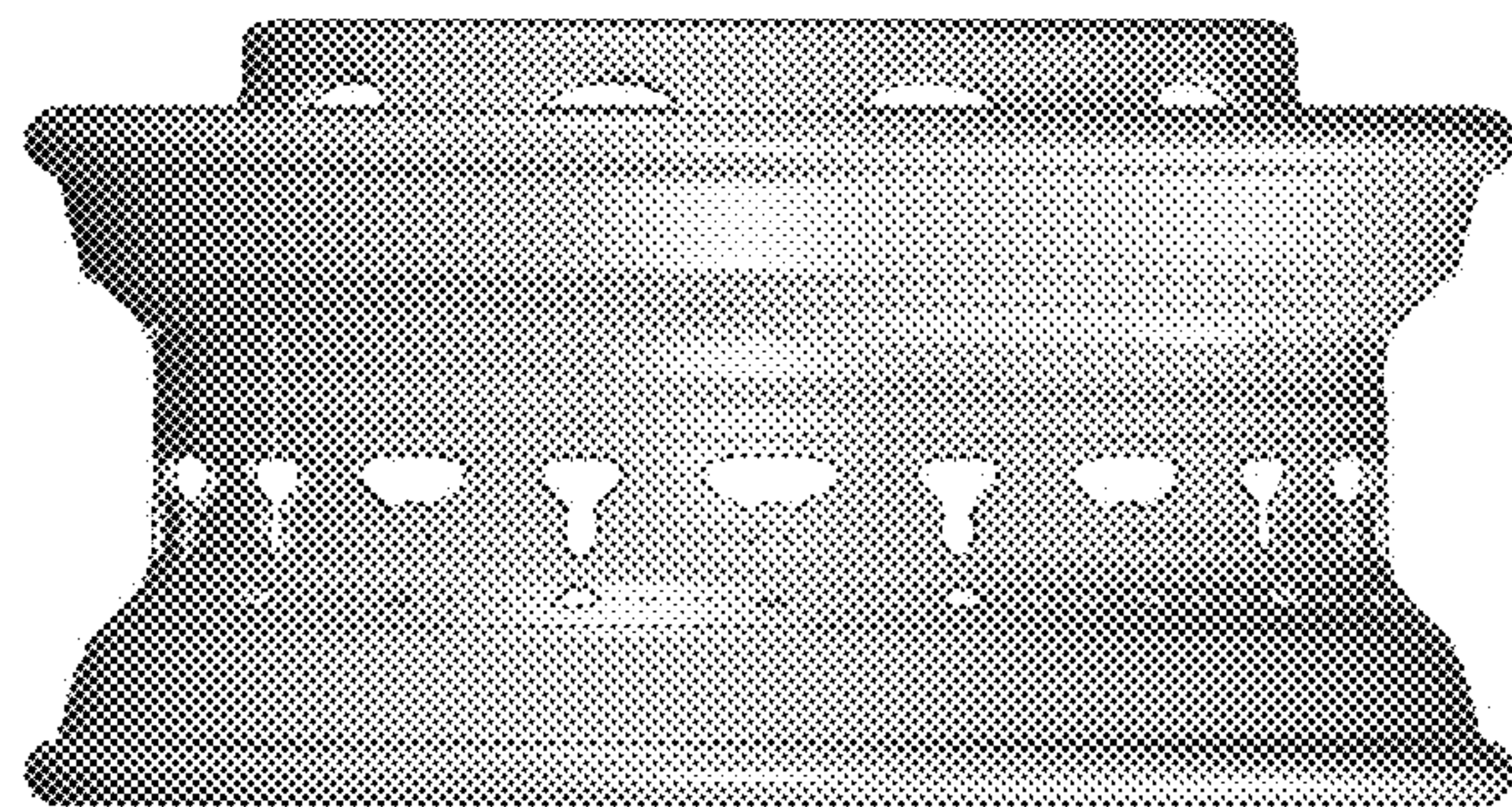
1.3



1.4



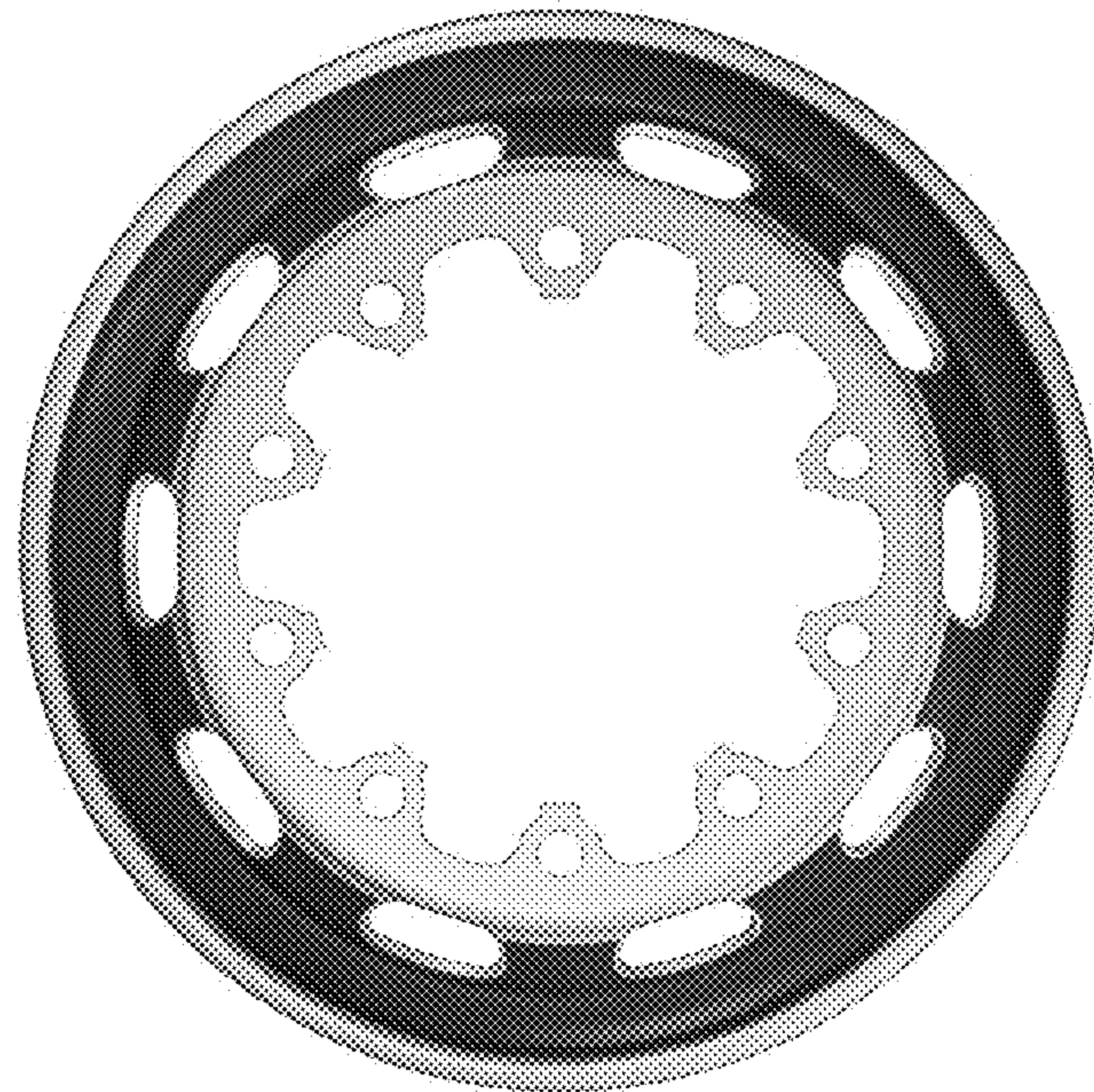
1.5



2.1



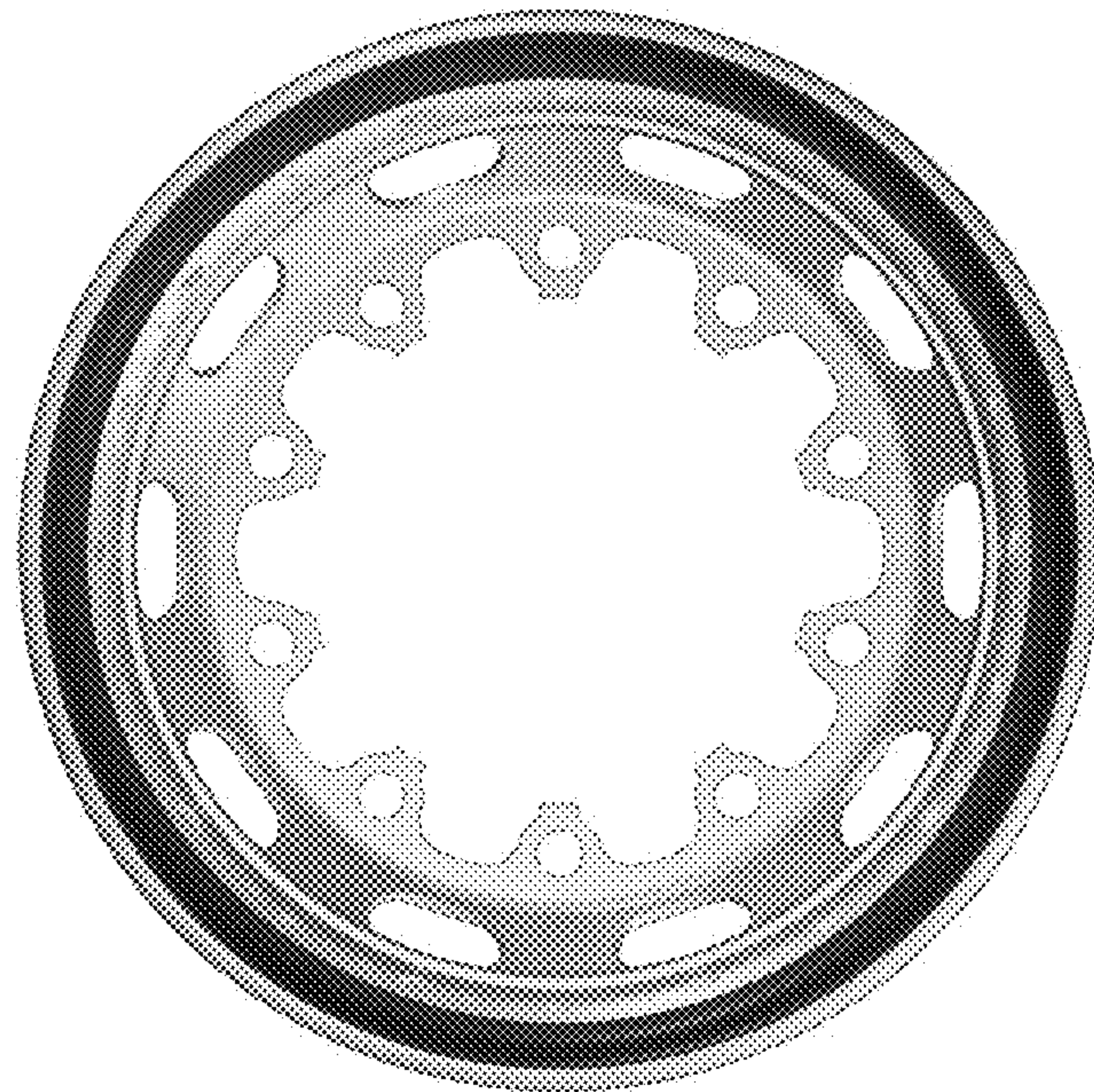
2.2



2.3



2.4



2.5

