



US00D909268S

(12) **United States Design Patent**  
**Harcup et al.**

(10) **Patent No.:** **US D909,268 S**

(45) **Date of Patent:** **\*\* Feb. 2, 2021**

(54) **ARMREST FOR A VEHICLE SEAT**

D487,981 S 4/2004 Ludeke et al.

D488,629 S 4/2004 Giasson

6,793,282 B2 9/2004 Plant et al.

(Continued)

(71) Applicants: **Anthony Harcup**, Virginia Water (GB);  
**Richard Peter John Nicholas**, London  
(GB); **Brian Ward**, Noak Bridge (GB)

FOREIGN PATENT DOCUMENTS

(72) Inventors: **Anthony Harcup**, Virginia Water (GB);  
**Richard Peter John Nicholas**, London  
(GB); **Brian Ward**, Noak Bridge (GB)

DE 4039100 6/1992

EP 0 185 536 6/1986

(Continued)

(73) Assignee: **Ipeco Holdings Limited**

OTHER PUBLICATIONS

(\*\*) Term: **15 Years**

Search Report for GB 1705250.7 dated Jun. 6, 2018.

Search Report for GB 1705250.7 dated Sep. 22, 2017.

Search Report for GB 1805313.2 dated Oct. 8, 2018.

(21) Appl. No.: **29/655,004**

(22) Filed: **Jun. 29, 2018**

*Primary Examiner* — Katrina A Betton

(74) *Attorney, Agent, or Firm* — King & Partners, PLC

(30) **Foreign Application Priority Data**

Jan. 5, 2018 (GB) ..... 004595429-0002

(51) **LOC (13) Cl.** ..... **12-16**

(52) **U.S. Cl.**  
USPC ..... **D12/195**

(58) **Field of Classification Search**  
CPC ..... B60J 5/04; B62D 31/02  
See application file for complete search history.

(57) **CLAIM**

The ornamental design for an armrest for a vehicle seat, as shown and described.

**DESCRIPTION**

FIG. 1 is an isometric view of an armrest for a vehicle seat showing, in particular, the ornamental design thereof.

FIG. 2 is a front end view of the armrest for a vehicle seat of FIG. 1.

FIG. 3 is a rear end view of the armrest for a vehicle seat of FIG. 1.

FIG. 4 is a left side view of the armrest for a vehicle seat of FIG. 1.

FIG. 5 is a right side view of the armrest for a vehicle seat of FIG. 1.

FIG. 6 is a top plan view of the armrest for a vehicle seat of FIG. 1; and,

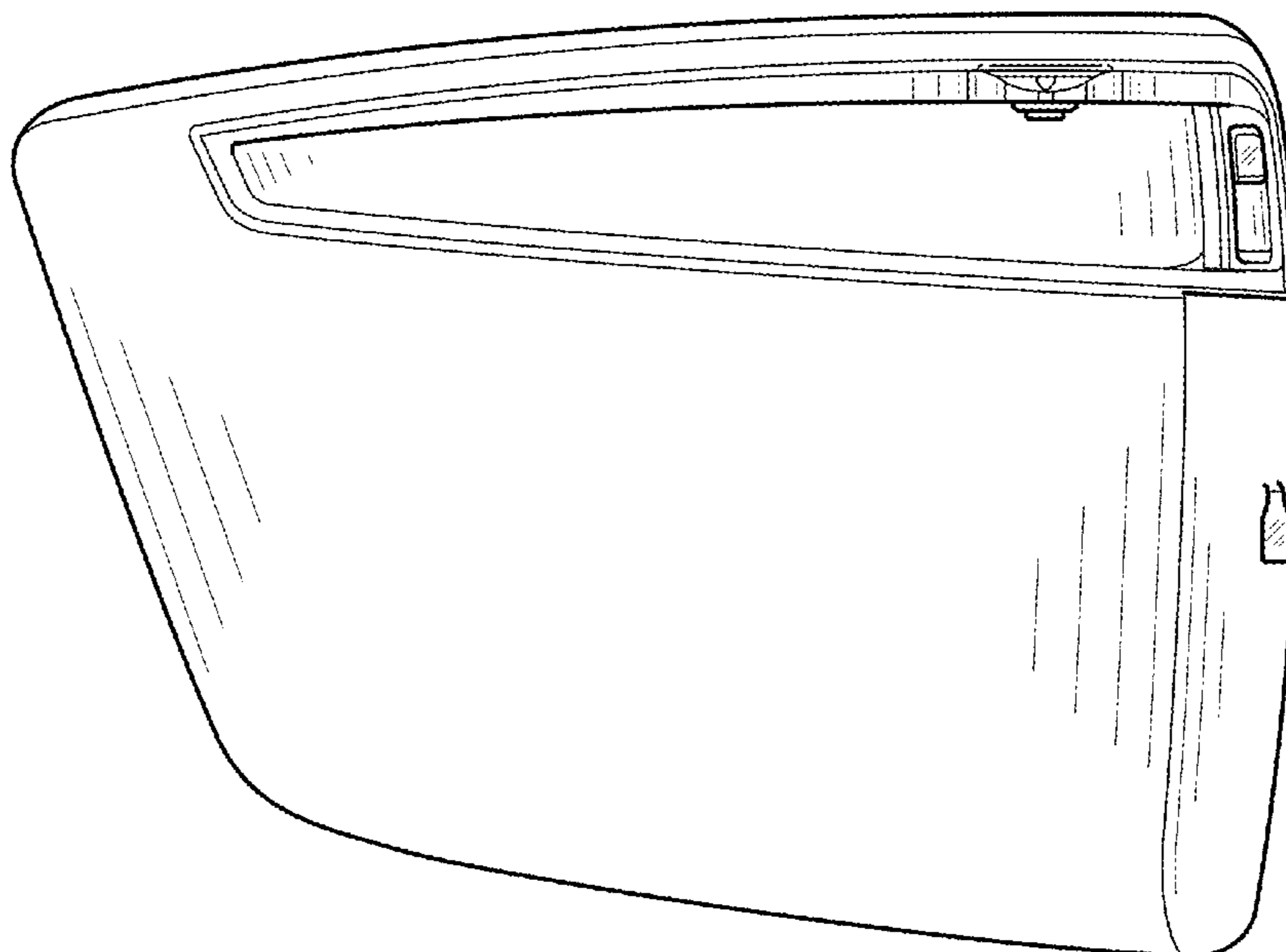
FIG. 7 is a bottom plan view of the armrest for a vehicle seat of FIG. 1.

(56) **References Cited**

U.S. PATENT DOCUMENTS

- 2,629,425 A 2/1953 James
- 3,145,052 A 8/1964 Morgan
- D382,528 S \* 8/1997 Hellhake ..... D12/195
- 5,769,496 A 6/1998 Gryp
- D405,275 S 2/1999 Dryburgh et al.
- D408,663 S 4/1999 Kemnitzer
- 6,170,786 B1 1/2001 Park et al.
- 6,402,244 B1 6/2002 Schonenberg et al.
- 6,412,870 B1 7/2002 Higgins
- 6,692,069 B2 2/2004 Beroth et al.

**1 Claim, 7 Drawing Sheets**



(56)

References Cited

U.S. PATENT DOCUMENTS

D505,796 S 6/2005 Johnson  
 D543,737 S 6/2007 Held  
 D547,981 S 8/2007 Cohen  
 D557,949 S 12/2007 Moorhouse et al.  
 7,311,354 B2 12/2007 Giasson  
 D562,750 S \* 2/2008 Schowalter ..... D12/195  
 D567,164 S \* 4/2008 Kato ..... D12/195  
 D577,503 S 9/2008 Priestman  
 D583,579 S 12/2008 Pearson et al.  
 D590,161 S 4/2009 Scoley et al.  
 D605,863 S 12/2009 Aruga et al.  
 D606,344 S 12/2009 Aruga et al.  
 7,665,693 B2 2/2010 Bettell  
 D618,478 S 6/2010 Bock  
 7,837,259 B2 11/2010 Staab et al.  
 8,002,357 B2 8/2011 Cebula et al.  
 8,303,036 B2 11/2012 Hankinson et al.  
 8,419,123 B2 4/2013 Hankinson et al.  
 D686,422 S 7/2013 Robinson  
 D693,617 S 11/2013 Koski  
 D723,822 S 3/2015 Cai et al.  
 D725,927 S 4/2015 Carter  
 D732,766 S \* 6/2015 Hughes ..... D32/25  
 D750,392 S 3/2016 Wilkens  
 D800,464 S 10/2017 Larabie et al.  
 D821,947 S \* 7/2018 Kasparian ..... D12/195  
 D829,142 S \* 9/2018 Sheffield ..... D12/195  
 D834,480 S \* 11/2018 Manzoni ..... D12/195  
 D882,477 S \* 4/2020 Roo-Clefas ..... D12/195

D883,863 S \* 5/2020 Bodman ..... D12/133  
 D892,693 S \* 8/2020 Jacob ..... D12/195  
 2004/0004383 A1 1/2004 Laurent  
 2004/0036336 A1 2/2004 Veneruso  
 2006/0192052 A1 8/2006 Baumann  
 2010/0032994 A1 2/2010 Lawson  
 2010/0244534 A1 9/2010 Driessen et al.  
 2010/0253129 A1 10/2010 Dowty et al.  
 2011/0101751 A1 5/2011 Meister et al.  
 2012/0074751 A1 3/2012 De La Garza et al.  
 2014/0145476 A1 5/2014 Nagayasu  
 2014/0375087 A1 12/2014 Kuno et al.  
 2015/0008707 A1 1/2015 Erhel  
 2016/0376007 A1 12/2016 Meindlhumer

FOREIGN PATENT DOCUMENTS

EP 0 957 025 11/1999  
 EP 1 074 468 2/2001  
 EP 2 134 602 6/2013  
 EP 2 134 603 4/2016  
 EP 3 078 594 10/2016  
 FR 3 042 450 4/2017  
 GB 447327 11/1934  
 GB 2560996 10/2018  
 WO WO 2007/072045 6/2007  
 WO WO 2008/107689 9/2008  
 WO WO 2008/122761 10/2008  
 WO WO 2016/049351 3/2016  
 WO WO 2018/178729 10/2018

\* cited by examiner

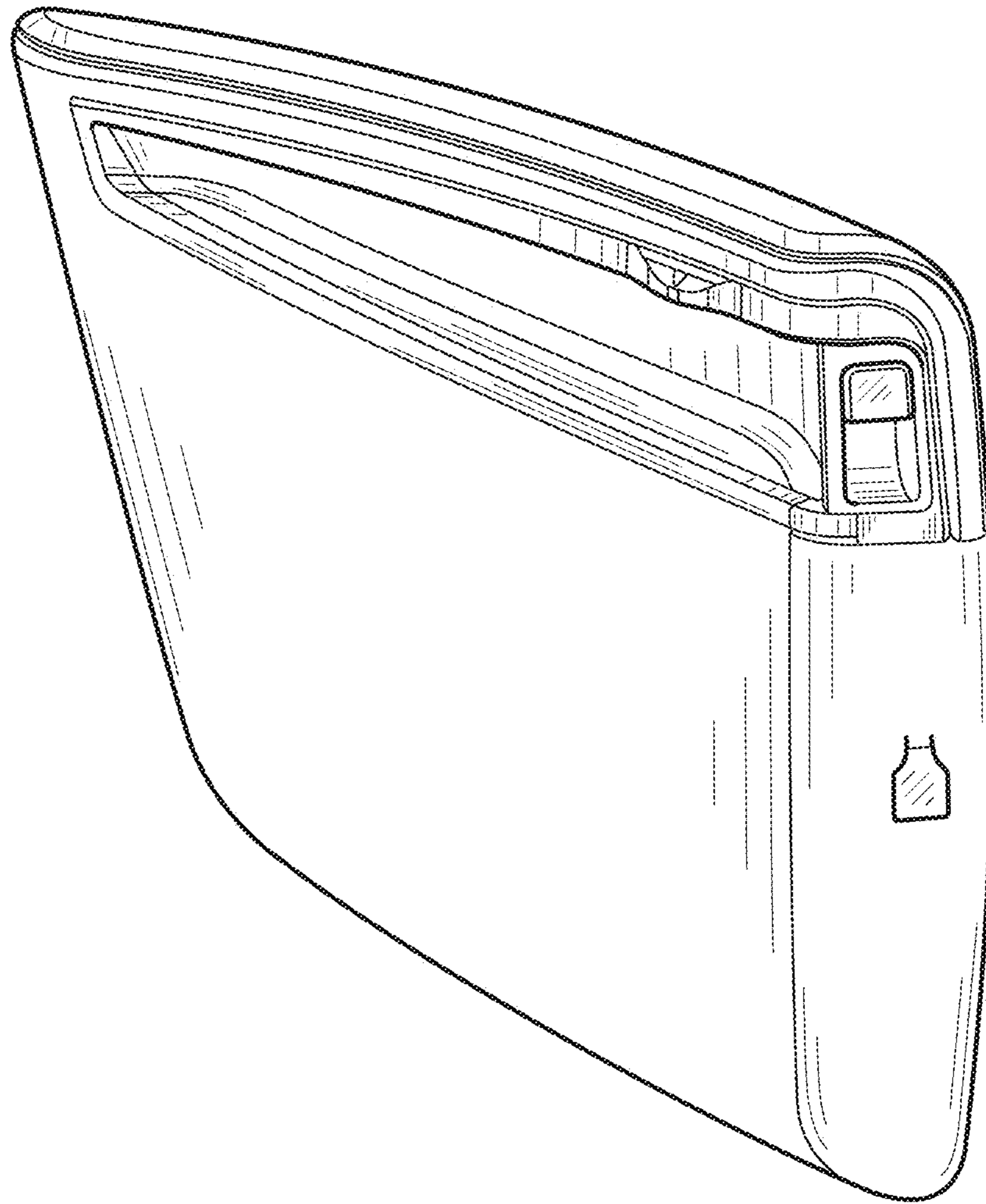


FIG. 1

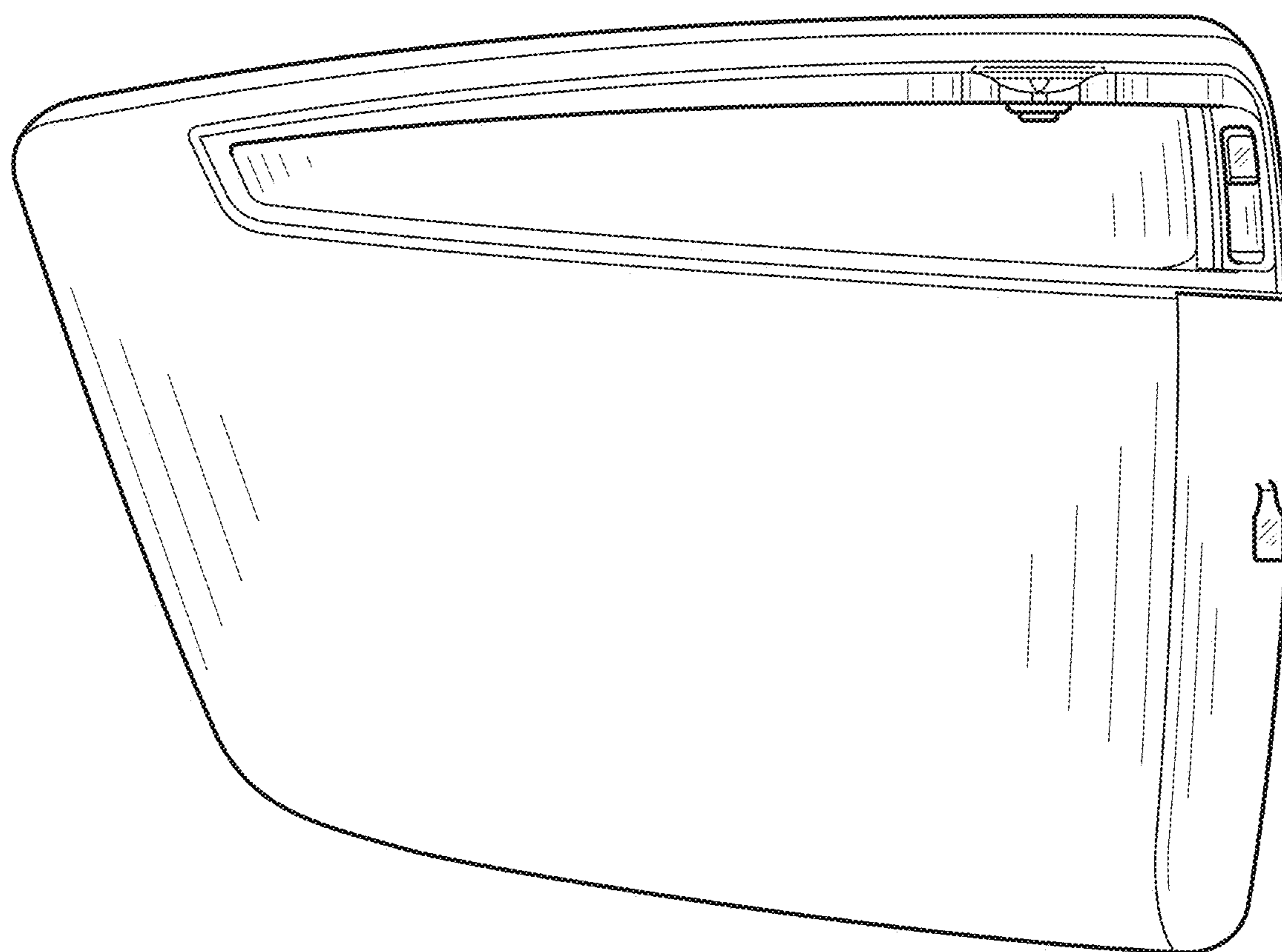


FIG. 2

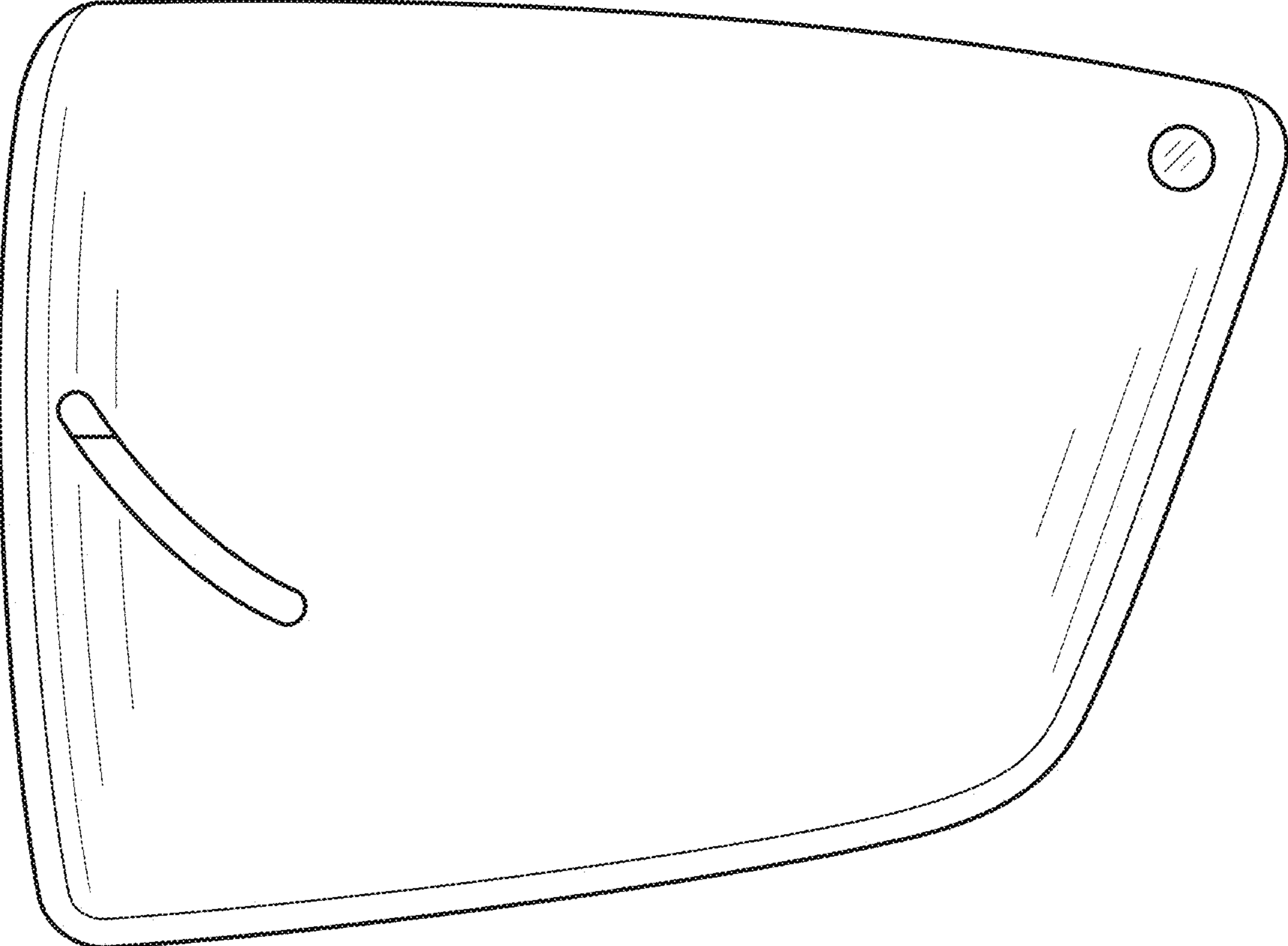


FIG. 3

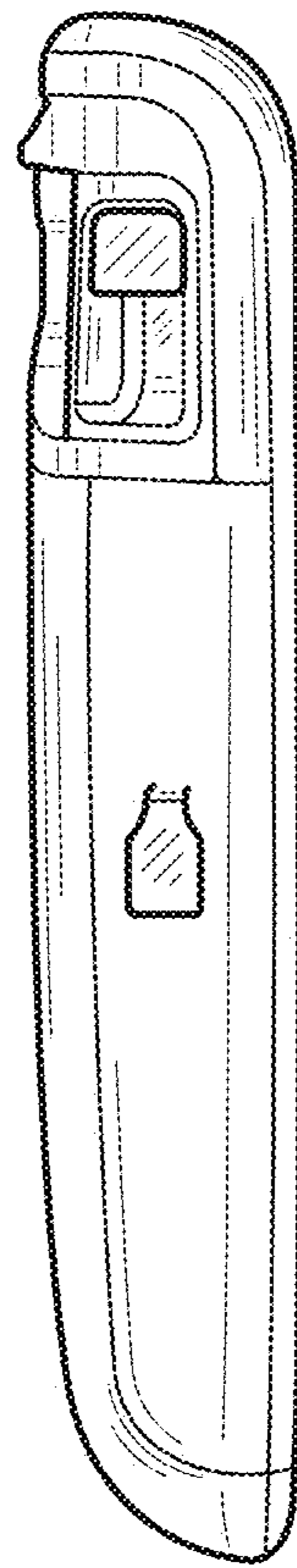


FIG. 4

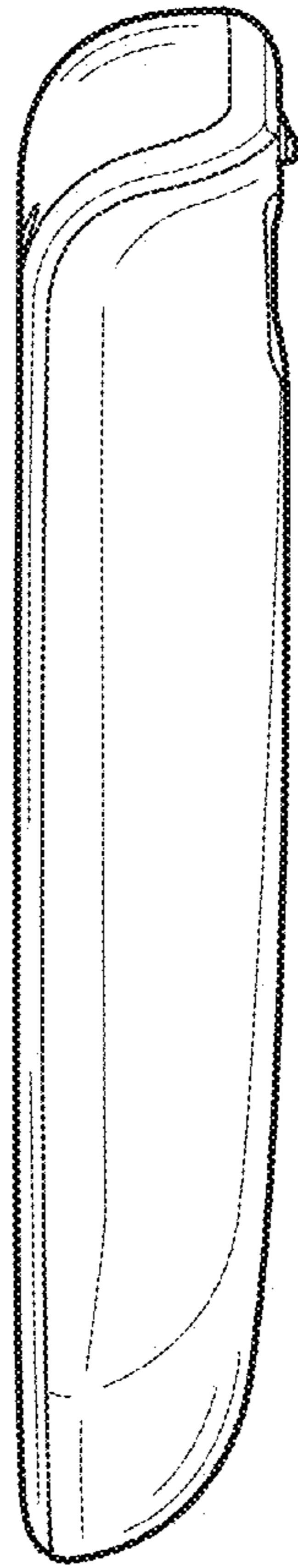


FIG. 5

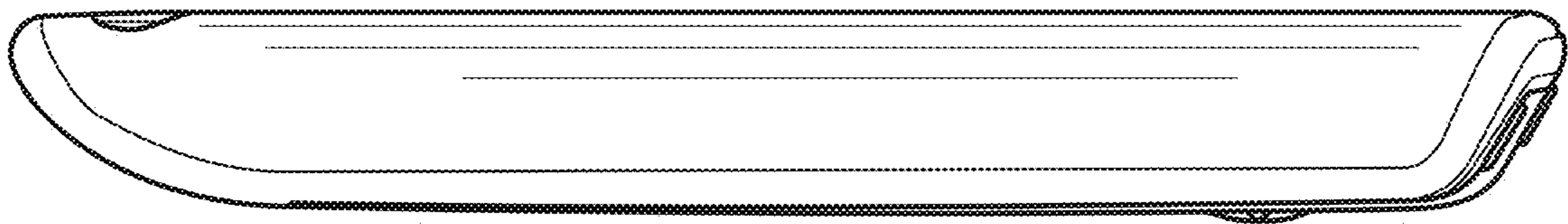


FIG. 6



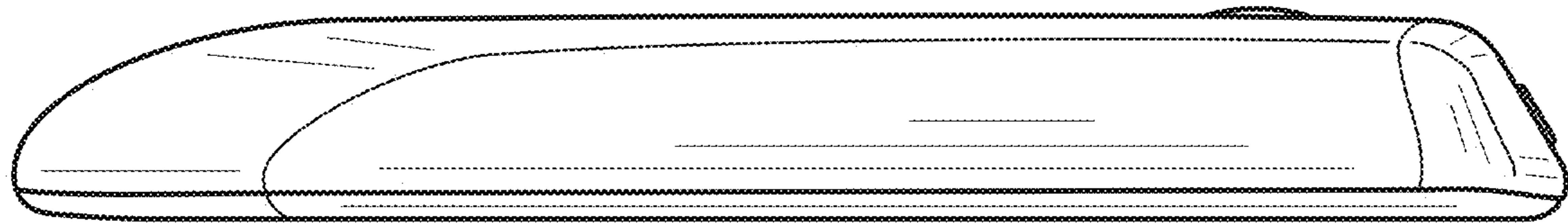


FIG. 7