



US00D909266S

(12) **United States Design Patent** (10) **Patent No.:** **US D909,266 S**
Fish, Jr. et al. (45) **Date of Patent:** **** Feb. 2, 2021**

(54) **WINDSCREEN**
(71) Applicant: **Gentex Corporation**, Zeeland, MI (US)
(72) Inventors: **Richard T. Fish, Jr.**, Hudsonville, MI (US); **Nigel T. Lock**, Holland, MI (US); **Mark R. Roth**, Grand Rapids, MI (US)
(73) Assignee: **GENTEX CORPORATION**, Zeeland, MI (US)
(**) Term: **15 Years**
(21) Appl. No.: **29/632,274**
(22) Filed: **Jan. 5, 2018**
(51) **LOC (13) Cl.** **12-16**
(52) **U.S. Cl.**
USPC **D12/182**
(58) **Field of Classification Search**
USPC D12/415-420, 400, 195, 191, 106, 345, D12/96, 99, 190, 181, 196, 88, 182, 155
CPC B62D 25/10; B62D 25/16; B62D 25/168; B60R 13/02; B60R 13/04
See application file for complete search history.

D751,960 S * 3/2016 Fontaeus D12/190
D862,368 S * 10/2019 Song D12/418
D883,184 S * 5/2020 Toddenroth D12/418

* cited by examiner

Primary Examiner — Susan E Krakower
Assistant Examiner — Jerry Shiuhan-Hua Hsu
(74) *Attorney, Agent, or Firm* — Price Heneveld LLP; Bradley D. Johnson

(57) **CLAIM**

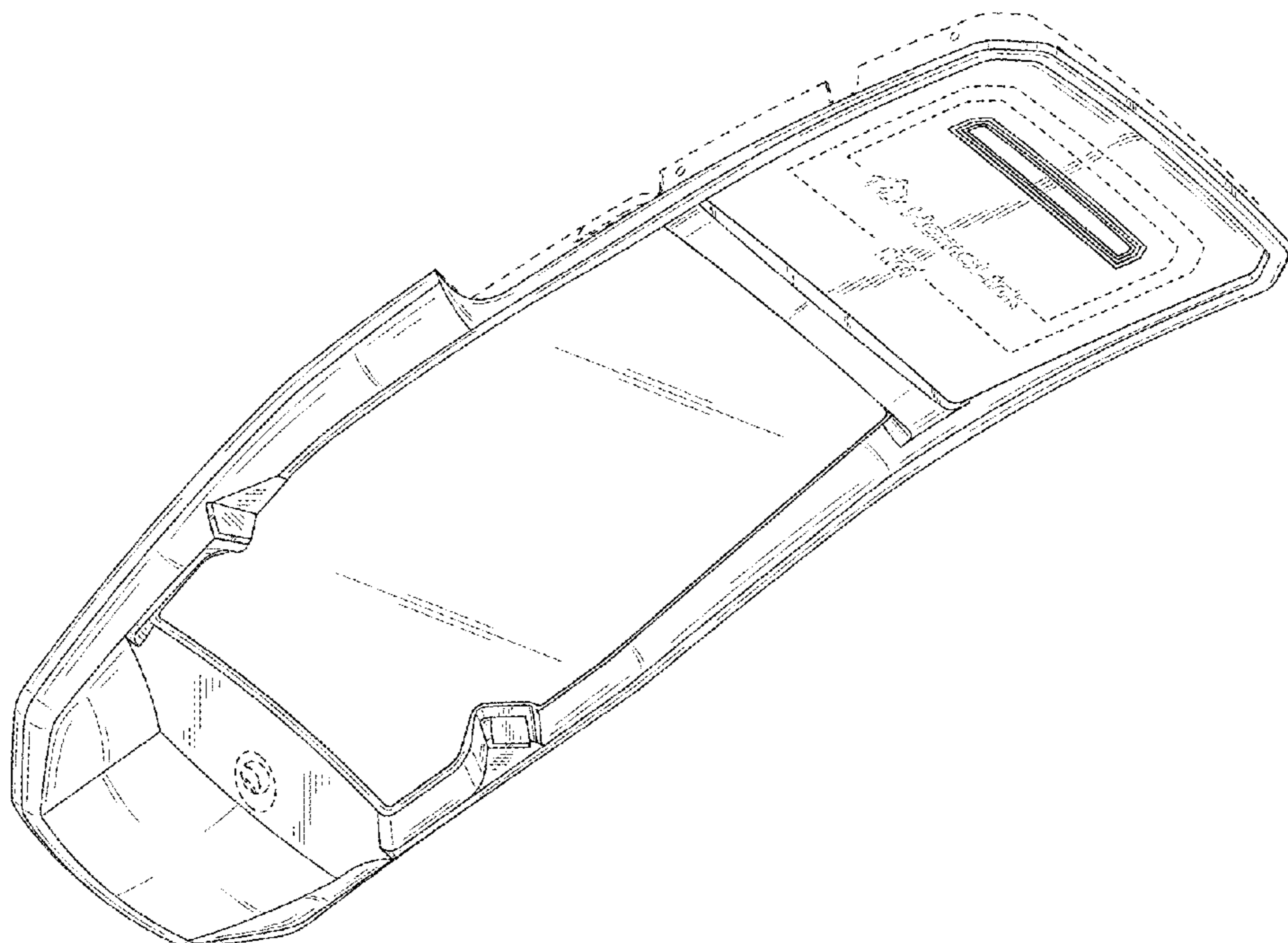
We claim the ornamental design for a windscreen, as shown and described.

DESCRIPTION

FIG. 1 is a first, bottom, left perspective view of a windscreen of the present disclosure;
FIG. 2 is a front, bottom, right perspective view of the windscreen of FIG. 1;
FIG. 3 is a front elevational view of the windscreen of FIG. 1;
FIG. 4 is a rear elevational view of the windscreen of FIG. 1;
FIG. 5 is a left side elevational view of the windscreen of FIG. 1;
FIG. 6 is a right side elevational view of the windscreen of FIG. 1;
FIG. 7 is a bottom plan view of the windscreen of FIG. 1; and,
FIG. 8 is a top plan view of the windscreen of FIG. 1.
Broken lines illustrate portions of the windscreen that form no part of the claimed design.

1 Claim, 4 Drawing Sheets

(56) **References Cited**
U.S. PATENT DOCUMENTS
D246,037 S * 10/1977 Kelly D12/418
D282,733 S * 2/1986 Giavazzi D12/195
D284,181 S * 6/1986 Abe D12/182
D339,780 S * 9/1993 Burdick D12/418
D502,440 S * 3/2005 MacWilliam D12/418
D539,212 S * 3/2007 Maezono D12/418
D580,345 S * 11/2008 Paxton D12/418
D592,585 S * 5/2009 Moburg D12/418
D724,003 S * 3/2015 Fonseca D12/418



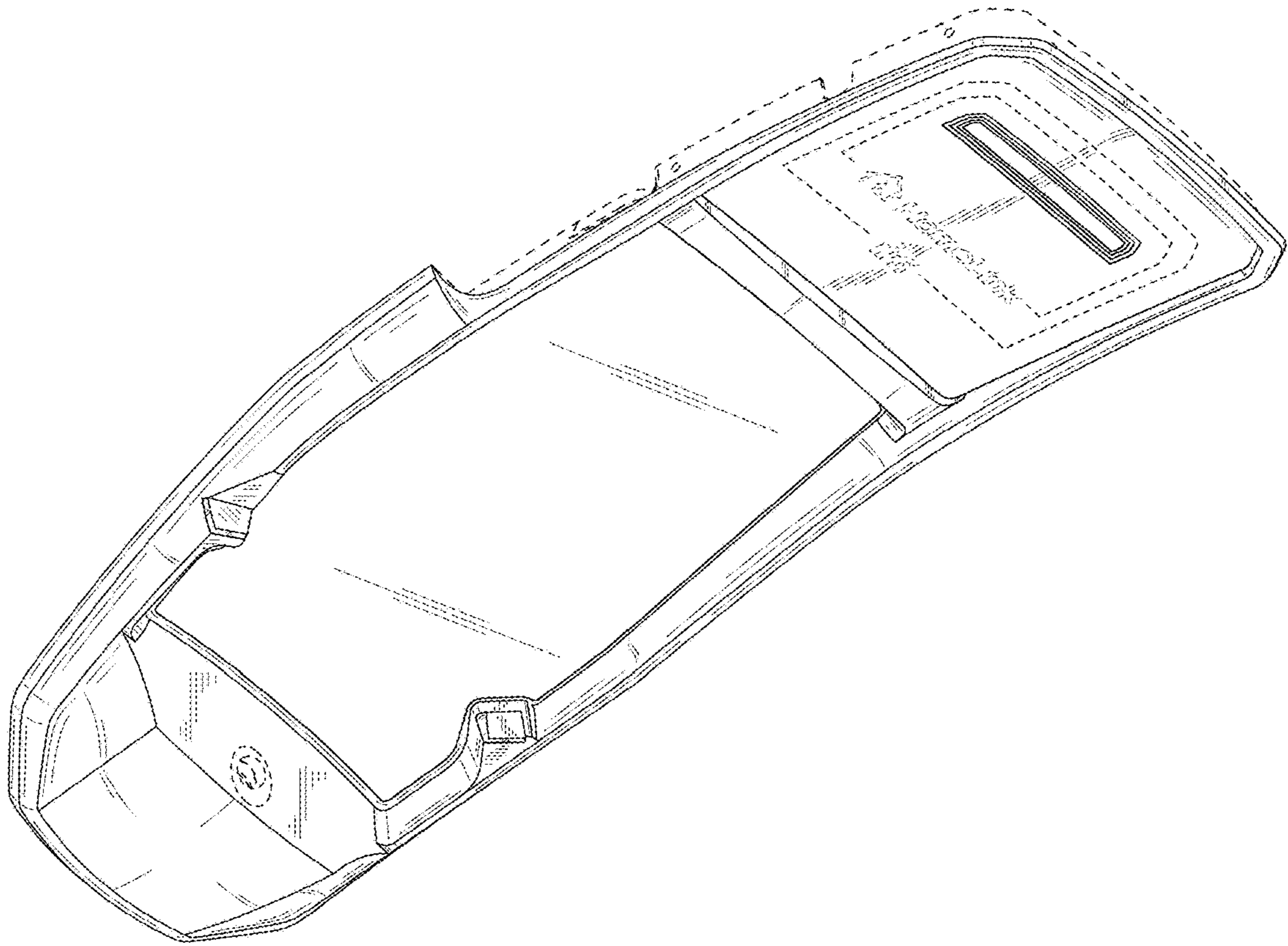


FIG. 1

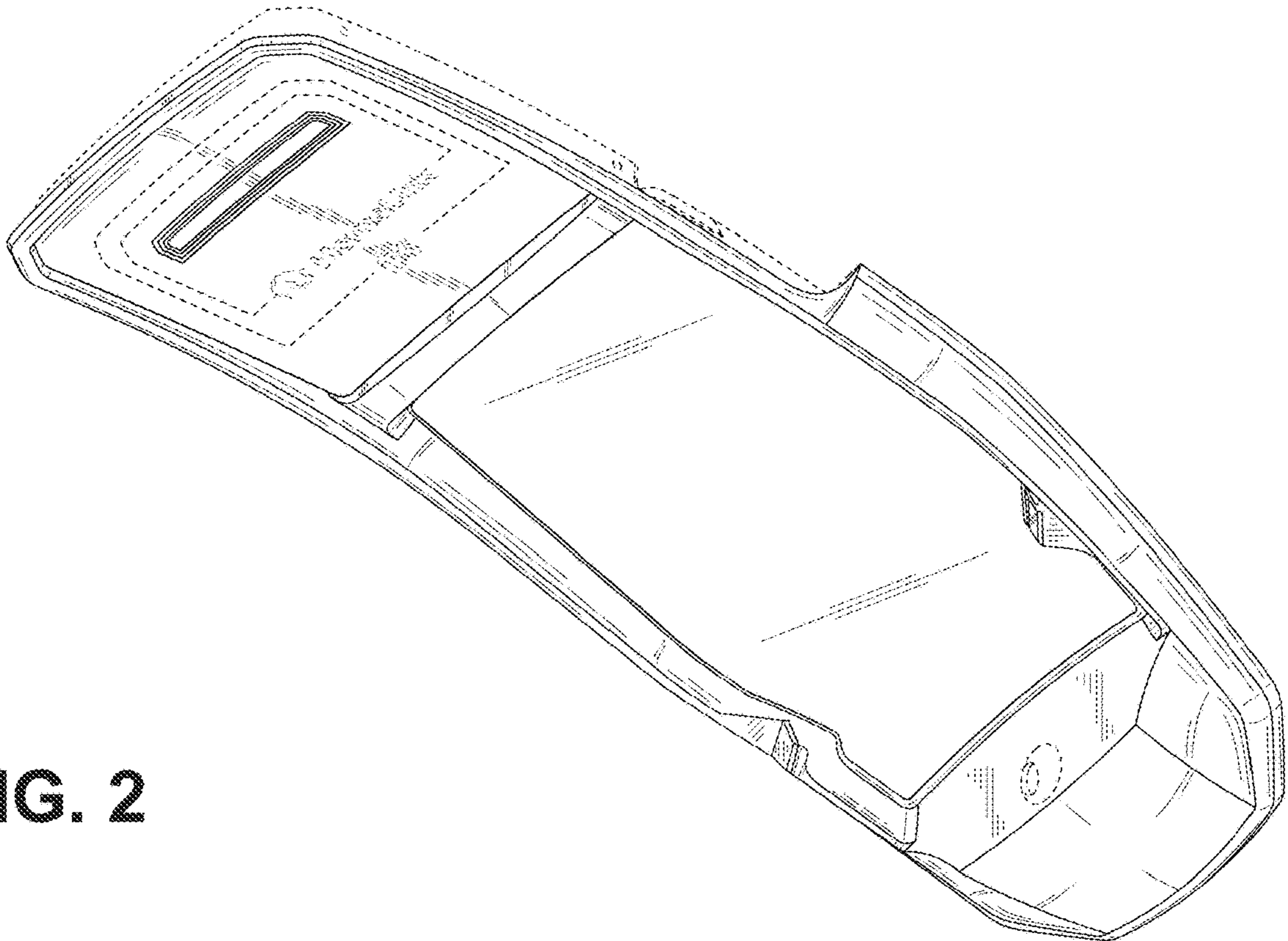


FIG. 2

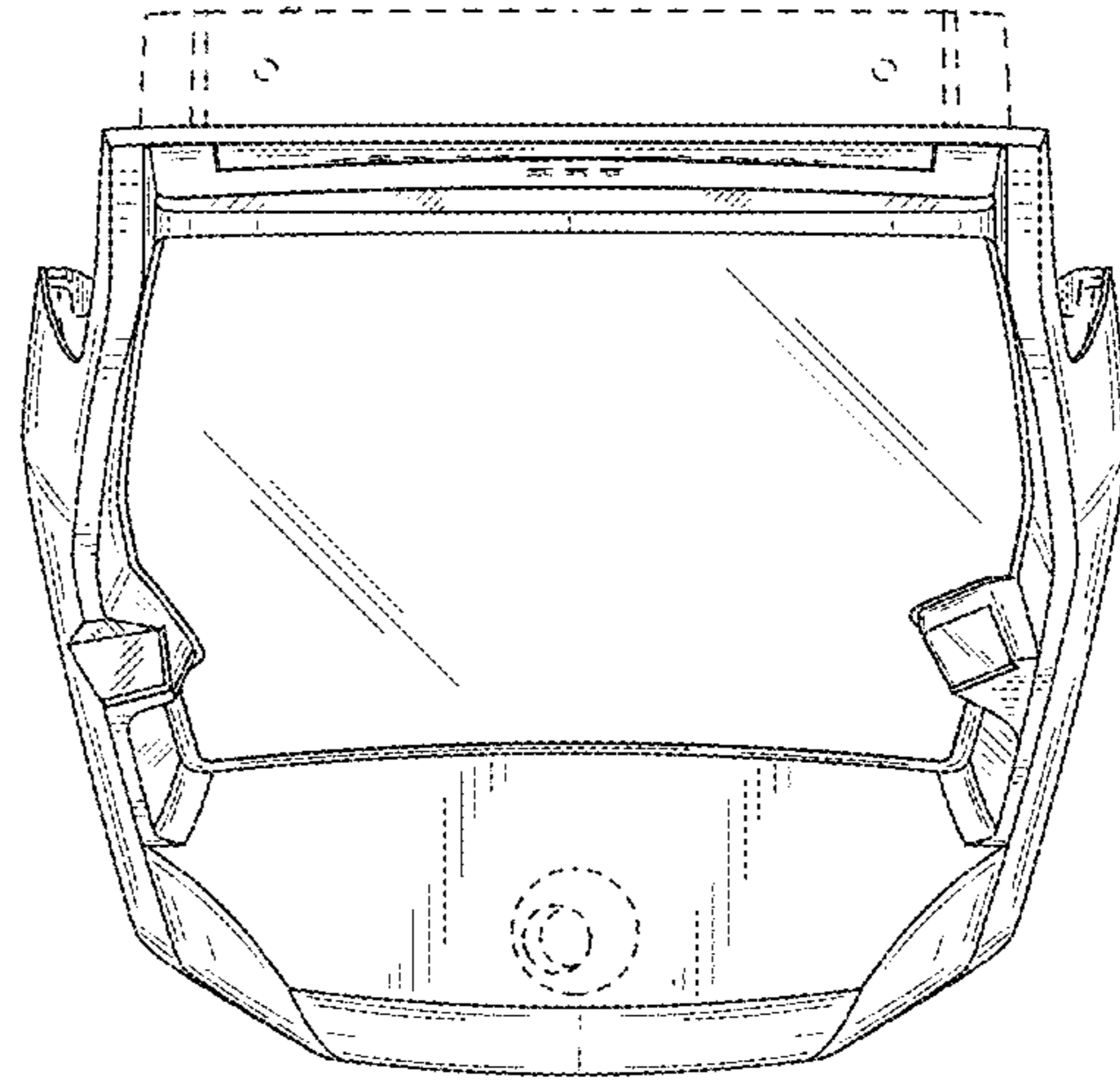


FIG. 3

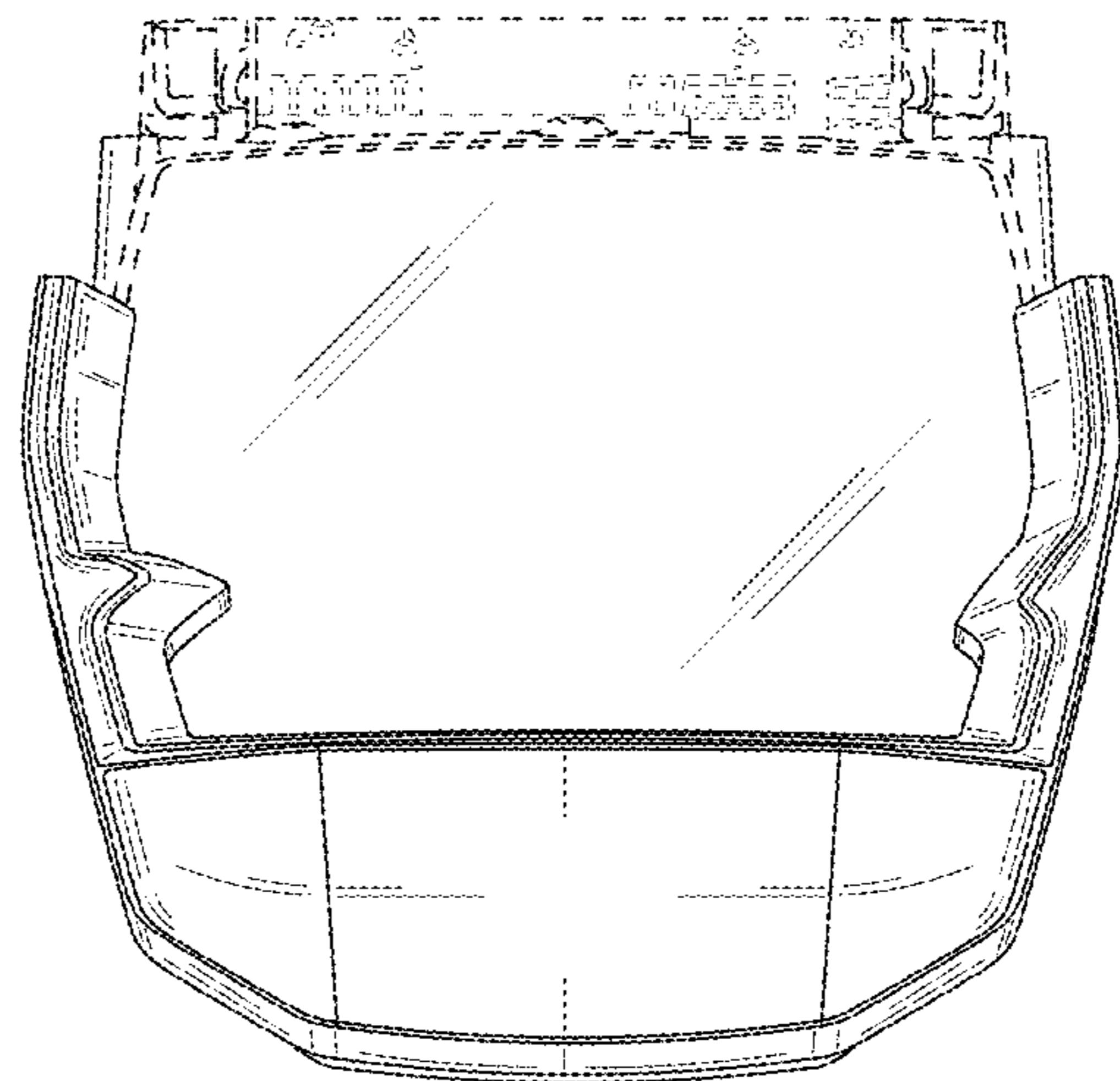


FIG. 4

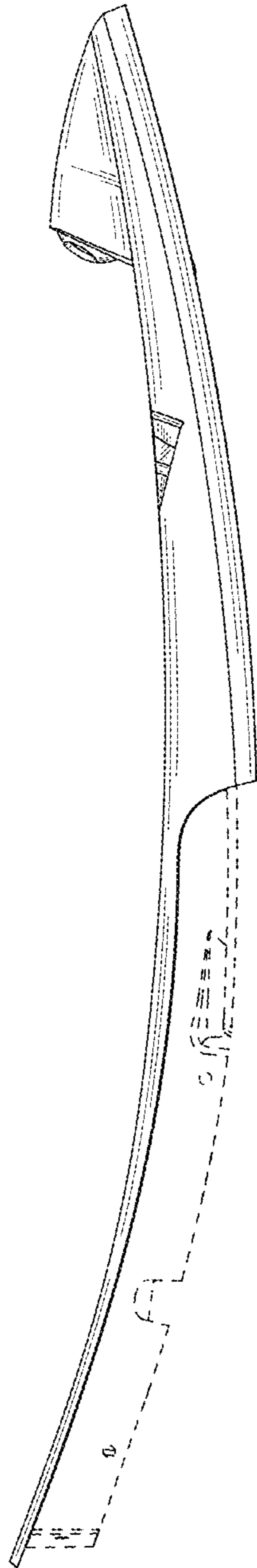


FIG. 5

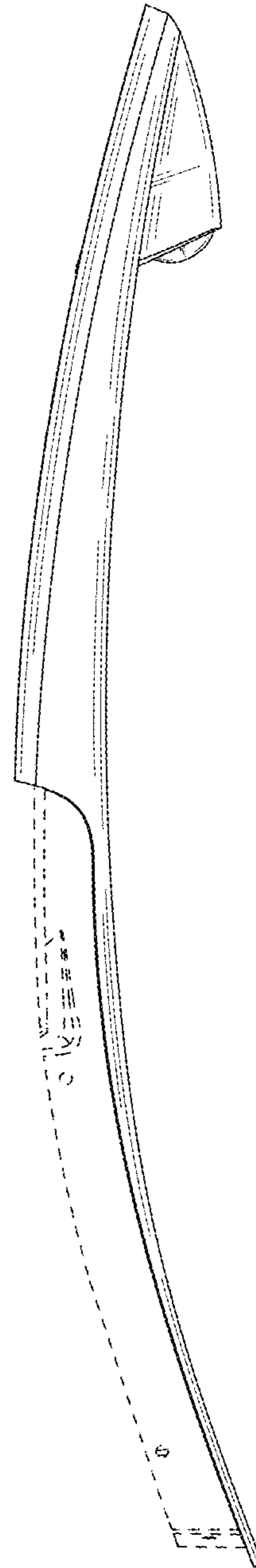


FIG. 6

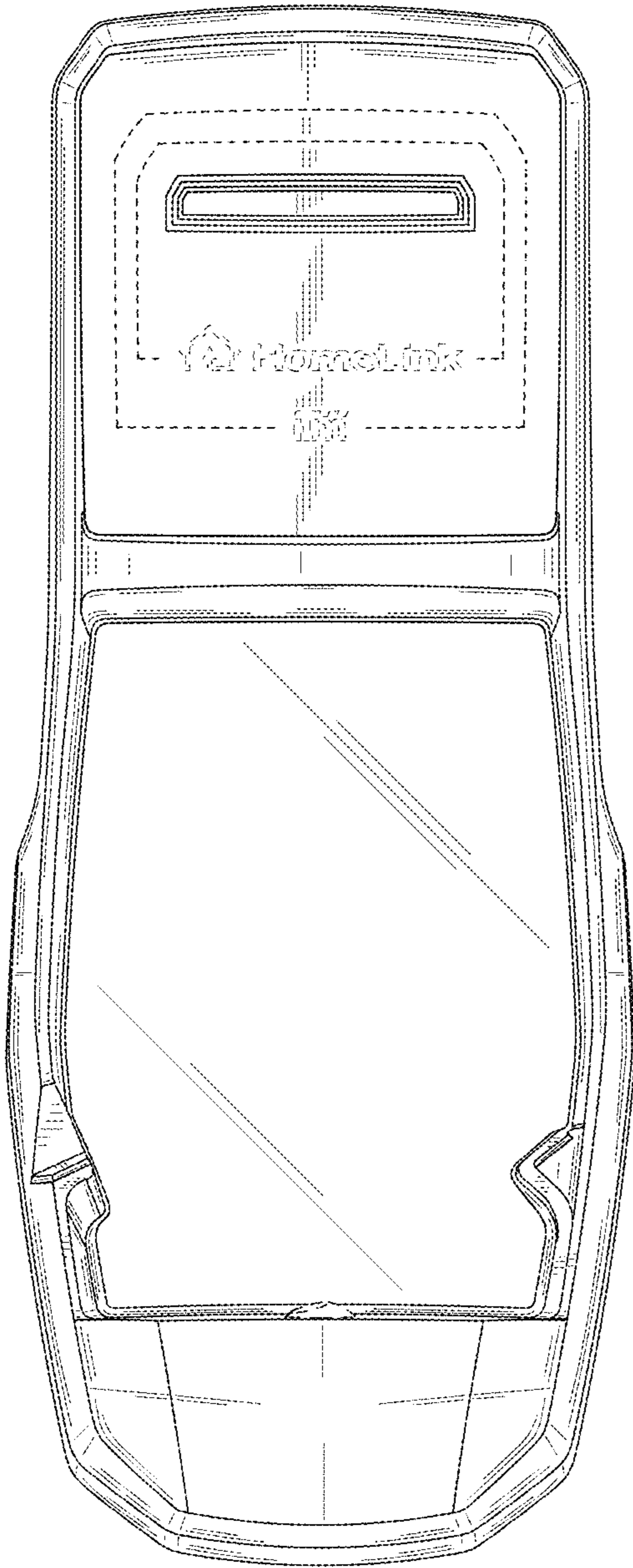


FIG. 7

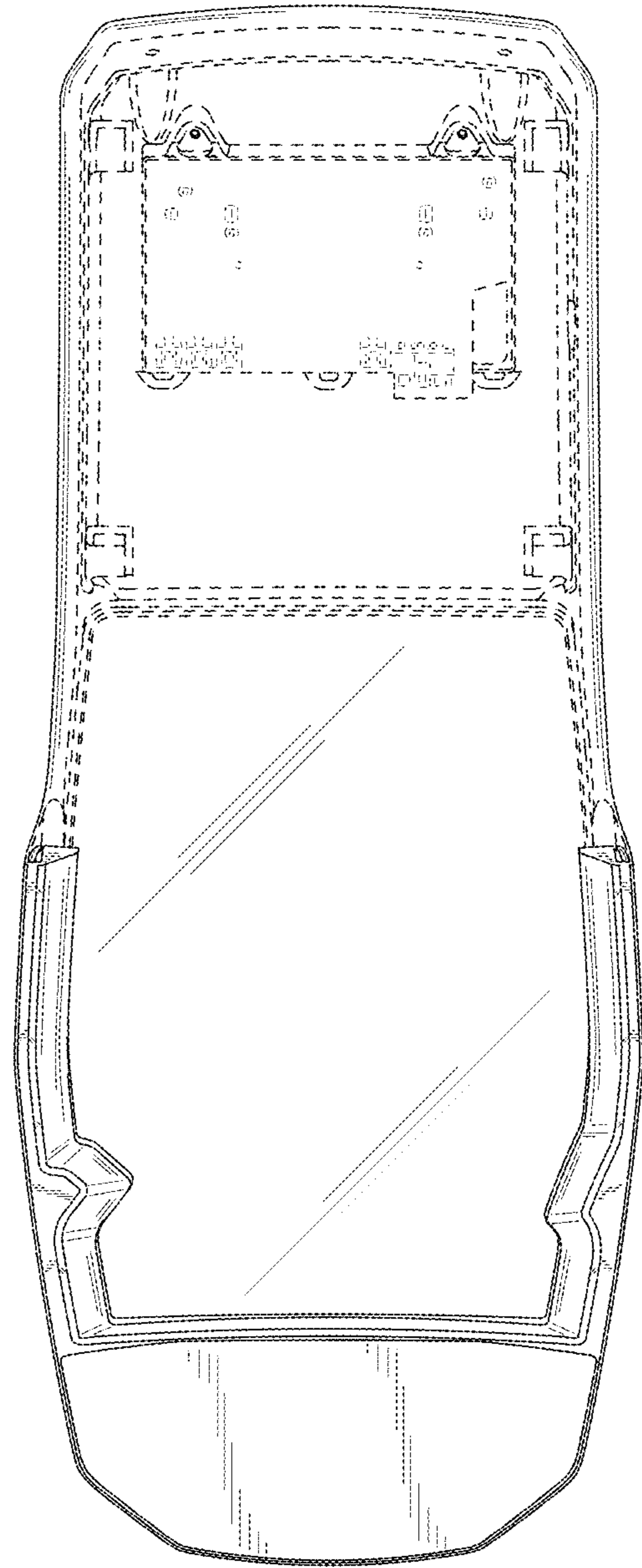


FIG. 8