



US00D909265S

(12) **United States Design Patent** (10) **Patent No.:** **US D909,265 S**
Inagaki et al. (45) **Date of Patent:** **** Feb. 2, 2021**

(54) **AIRBAG COVER**

(71) Applicant: **HONDA MOTOR CO., LTD.**, Tokyo (JP)

(72) Inventors: **Toru Inagaki**, Rancho Palos Verdes, CA (US); **Eric Ma**, London (GB)

(73) Assignee: **HONDA MOTOR CO., LTD.**, Tokyo (JP)

(**) Term: **15 Years**

(21) Appl. No.: **29/700,231**

(22) Filed: **Jul. 31, 2019**

(51) **LOC (13) Cl.** **12-16**

(52) **U.S. Cl.**
USPC **D12/177**

(58) **Field of Classification Search**
USPC D12/174, 175, 176, 177, 400
CPC B29L 2031/3047; B60R 21/215; B60R 21/2165; B60R 21/21656; B60R 21/2176
See application file for complete search history.

(56) **References Cited**

U.S. PATENT DOCUMENTS

6,082,762 A * 7/2000 Preisler B29C 43/203
280/728.3

6,395,219 B1 * 5/2002 Preisler B29C 43/021
264/154

D561,074 S * 2/2008 Montijo D12/176

8,894,093 B2 * 11/2014 Jung B60R 21/2165
280/728.3

D743,860 S * 11/2015 Nagumo D12/176

D758,933 S * 6/2016 Owaku D12/176

D830,254 S * 10/2018 Owaku D12/176

D855,517 S * 8/2019 Hwang D12/176

2005/0263988 A1* 12/2005 Welford B60R 21/217
280/728.3

2011/0210534 A1* 9/2011 Sauer B60R 21/215
280/728.2

2015/0151704 A1* 6/2015 Ko B60R 21/2035
280/728.3

OTHER PUBLICATIONS

Acura RDX Steering Wheel, www.caricos.com [online]. Published on or before Nov. 7, 2020, [retrieved on Nov. 7, 2020]. Retrieved from the Internet: <URL:https://www.caricos.com/cars/a/acura/2019_acura_rdx/images/82.html> (Year: 2020).*

* cited by examiner

Primary Examiner — Michael A. Pratt
Assistant Examiner — Adam C Mager

(74) *Attorney, Agent, or Firm* — Arent Fox LLP

(57) **CLAIM**

The ornamental design for an airbag cover, as shown and described.

DESCRIPTION

FIG. 1 is a front right perspective view of an airbag cover showing our new design;
 FIG. 2 is a front left perspective view of the design shown in FIG. 1;
 FIG. 3 is a rear left perspective view of the design shown in FIG. 1;
 FIG. 4 is a rear right perspective view of the design shown in FIG. 1;
 FIG. 5 is a front view of the design shown in FIG. 1;
 FIG. 6 is a rear view of the design shown in FIG. 1;
 FIG. 7 is a left side view of the design shown in FIG. 1;
 FIG. 8 is a right side view of the design shown in FIG. 1;
 FIG. 9 is a top view of the design shown in FIG. 1; and,
 FIG. 10 is a bottom view of the design shown in FIG. 1.

1 Claim, 10 Drawing Sheets

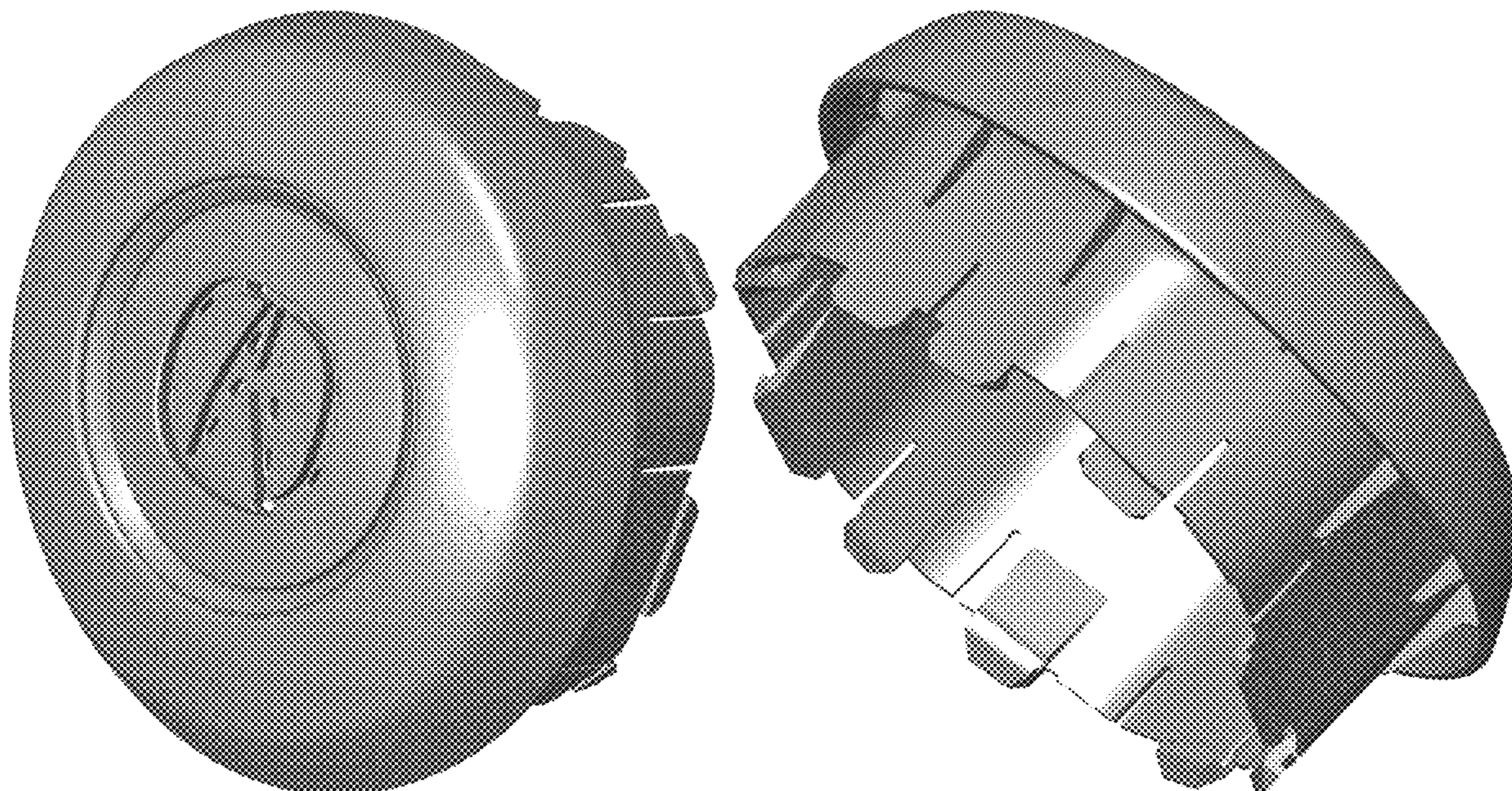




FIG. 1



FIG. 2

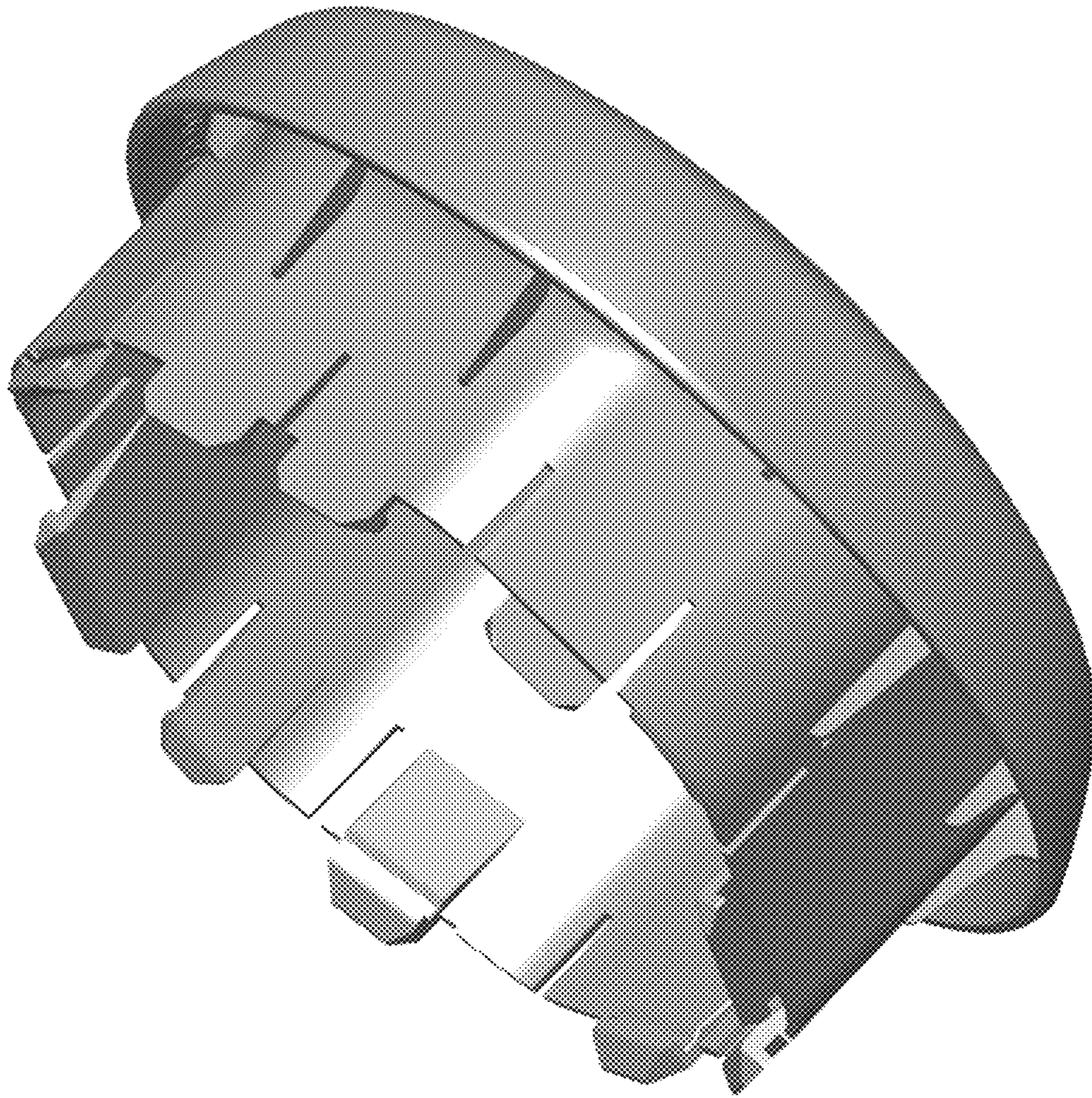


FIG. 3



FIG. 4



FIG. 5



FIG. 6

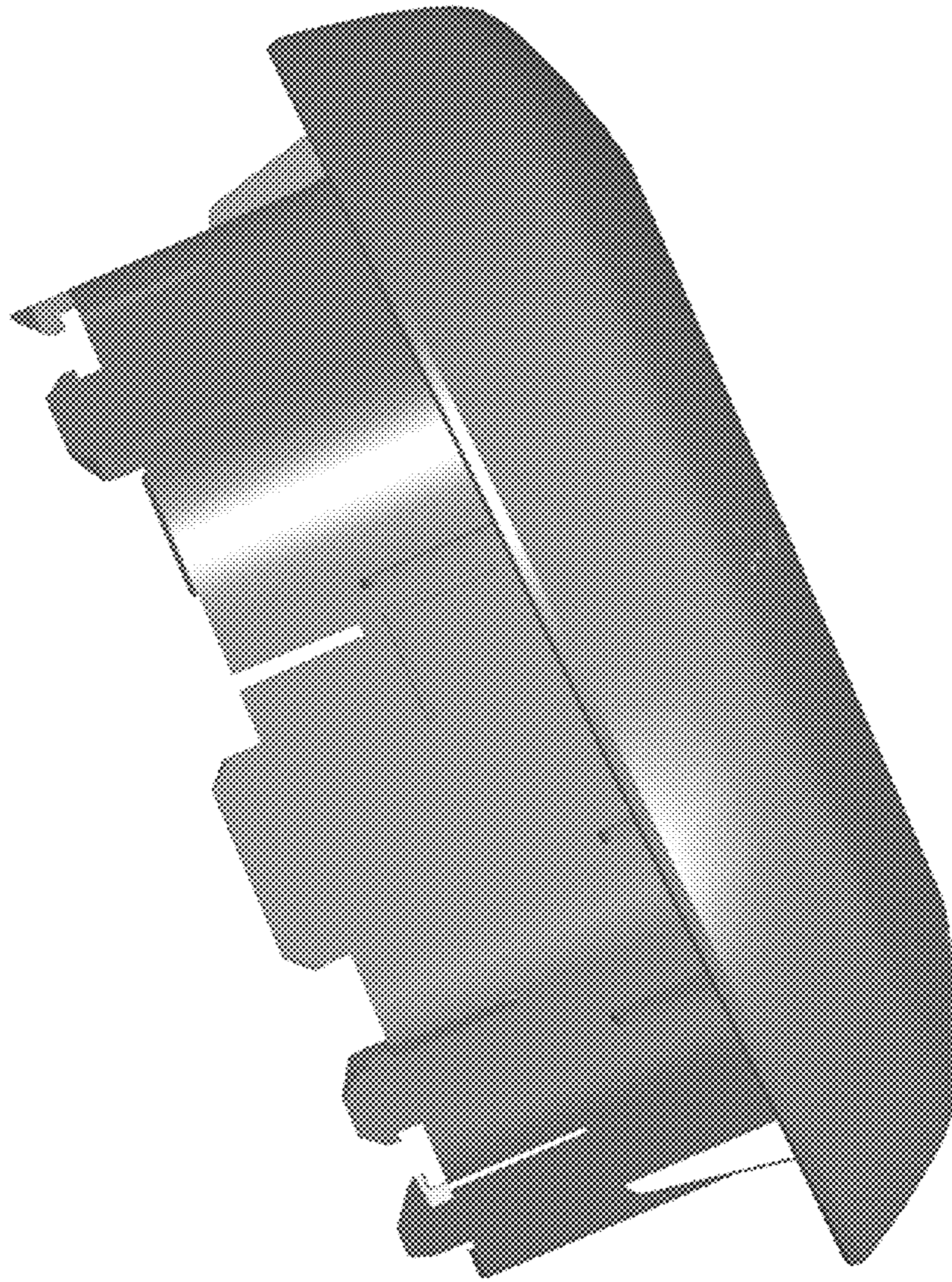


FIG. 7

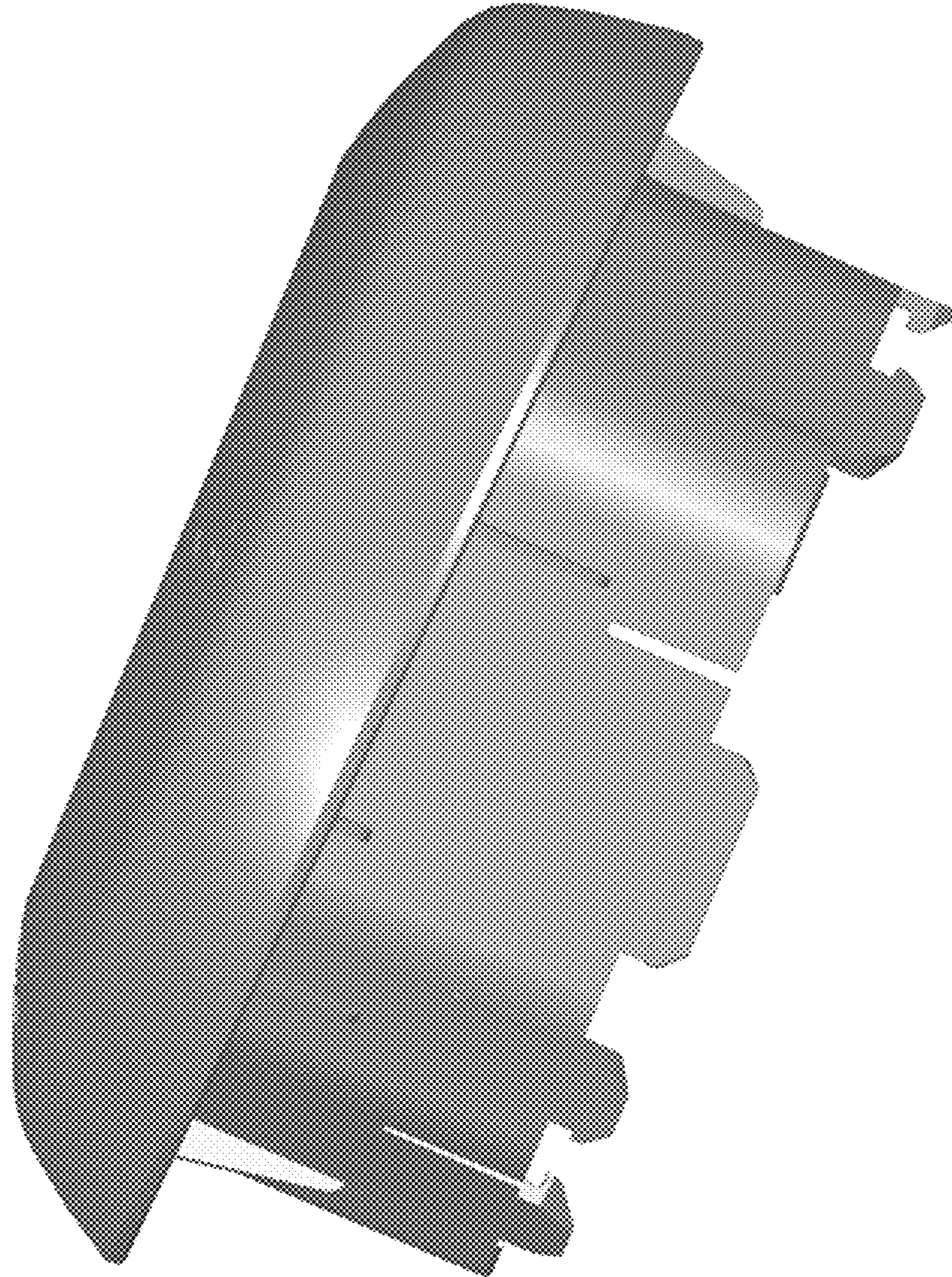


FIG. 8

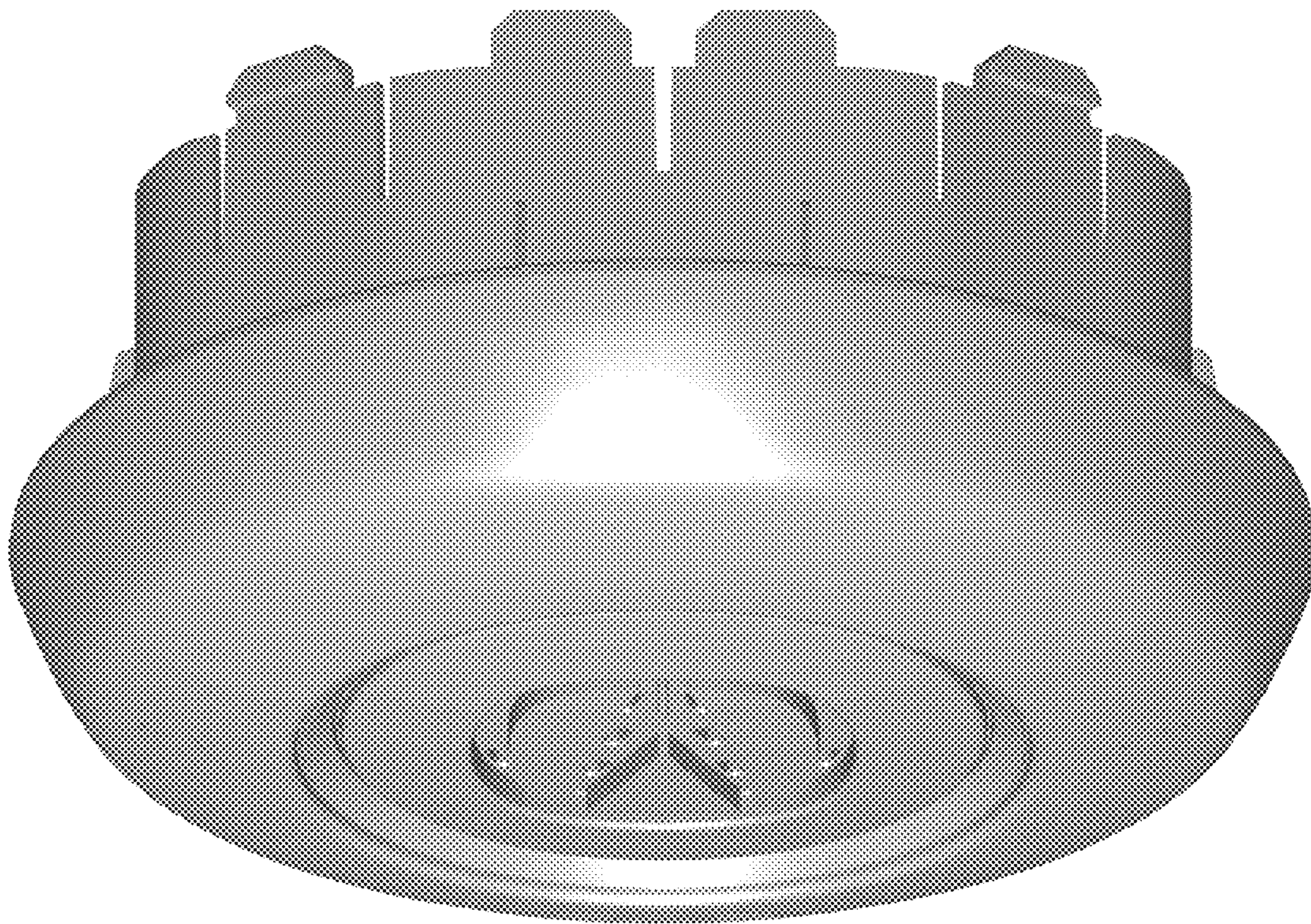


FIG. 9

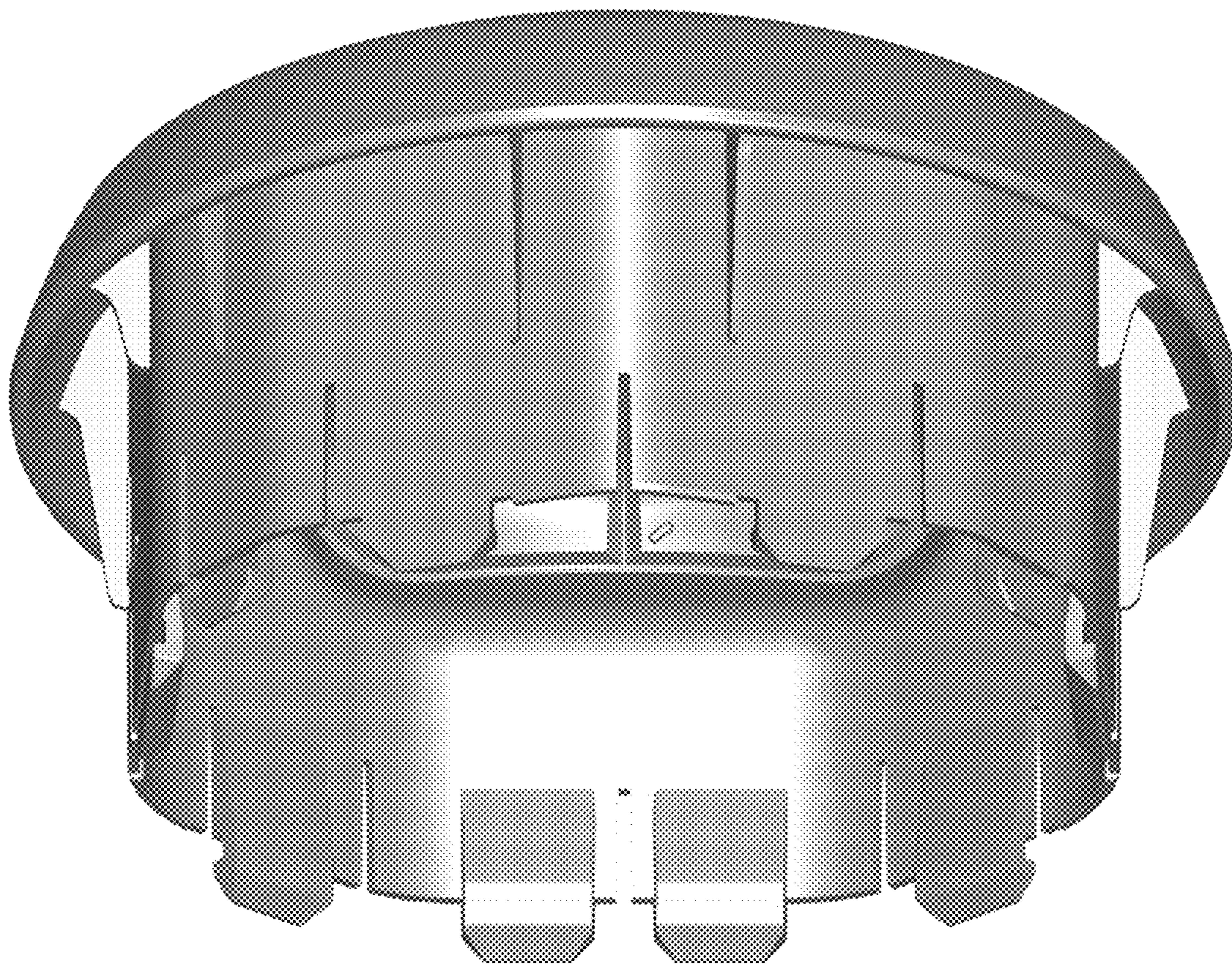


FIG. 10