



US00D909264S

(12) **United States Design Patent**  
**Zhang et al.**

(10) **Patent No.:** **US D909,264 S**

(45) **Date of Patent:** **\*\* Feb. 2, 2021**

(54) **STEERING WHEEL ASSEMBLY**

(71) Applicant: **GUANGZHOU AUTOMOBILE GROUP CO., LTD.**, Guangdong (CN)

(72) Inventors: **Mingyang Zhang**, Guangdong (CN);  
**Zongxuan Wang**, Guangdong (CN);  
**Jonathan Allen Wicks**, Guangdong (CN);  
**Zhongqu Liu**, Guangdong (CN);  
**Joan Pontus Anthony Fontaeus**, Guangdong (CN);  
**Ye Tian**, Guangdong (CN)

(73) Assignee: **GUANGZHOU AUTOMOBILE GROUP CO., LTD.**, Guangzhou (CN)

(\*\*) Term: **15 Years**

(21) Appl. No.: **29/695,872**

(22) Filed: **Jun. 23, 2019**

(30) **Foreign Application Priority Data**

Dec. 29, 2018 (CN) ..... 2018 3 0772599

(51) **LOC (13) Cl.** ..... **12-16**

(52) **U.S. Cl.**  
USPC ..... **D12/175**

(58) **Field of Classification Search**  
USPC ..... D12/174, 175, 176, 177, 223, 400  
CPC ..... B29L 2031/3047  
See application file for complete search history.

(56) **References Cited**

**U.S. PATENT DOCUMENTS**

D552,520 S \* 10/2007 Maezono ..... D12/176  
D635,900 S \* 4/2011 Anzi ..... D12/176  
D636,711 S \* 4/2011 Anzi ..... D12/176  
D647,441 S \* 10/2011 Anzi ..... D12/176  
D670,628 S \* 11/2012 Tasaki ..... D12/176  
D691,932 S \* 10/2013 Tse ..... D12/176  
D778,793 S \* 2/2017 Ding ..... D12/176

D786,154 S \* 5/2017 Castaman ..... D12/176  
D792,299 S \* 7/2017 Manzoni ..... D12/176  
D797,620 S \* 9/2017 LeFranc ..... D12/176  
D816,567 S \* 5/2018 Yoo ..... D12/176  
D853,290 S \* 7/2019 Helmstetter ..... D12/175  
D870,004 S \* 12/2019 Hill ..... D12/175  
D878,980 S \* 3/2020 Nightingale ..... D12/175

(Continued)

**OTHER PUBLICATIONS**

GAC Entranze EV Concept, www.designlisticle.com [online]. Published on Mar. 4, 2019, [retrieved on Nov. 7, 2020]. Retrieved from the Internet: <URL:https://www.designlisticle.com/gac-entranze-ev-concept-for-people-to-connect-during-lifes-great-journey/> (Year: 2019).\*

*Primary Examiner* — Michael A. Pratt  
*Assistant Examiner* — Adam C Mager

(57) **CLAIM**

The ornamental design for a steering wheel assembly, as shown and described.

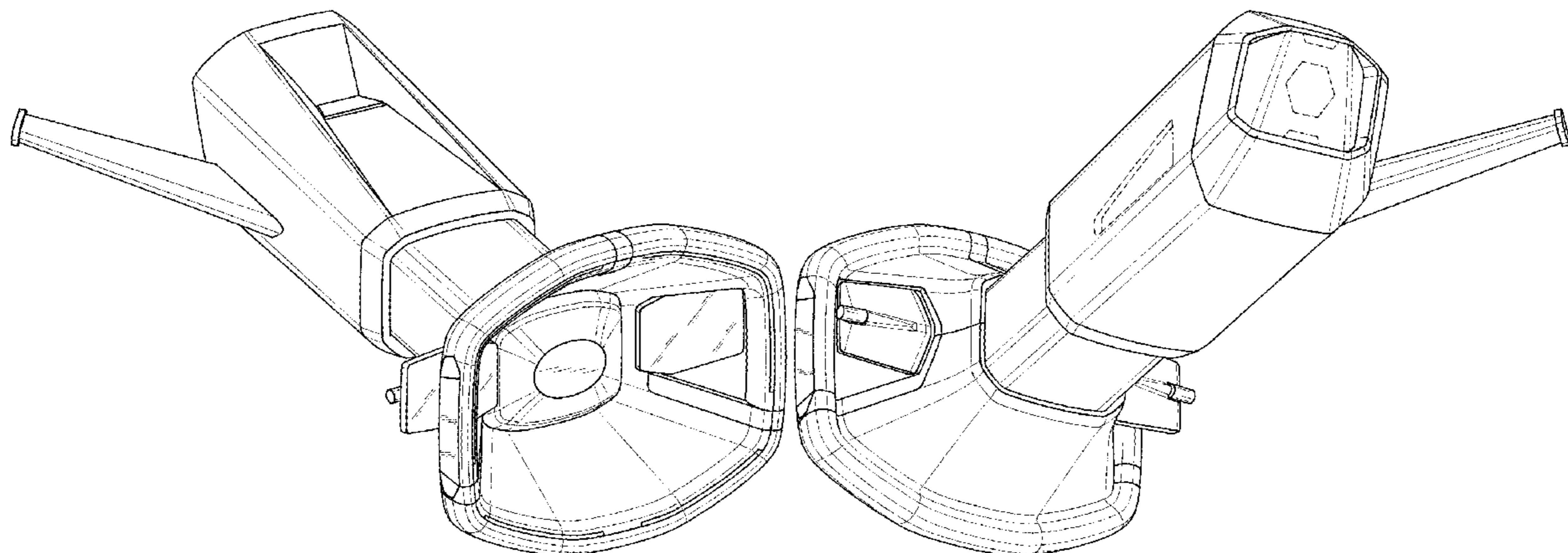
**DESCRIPTION**

FIG. 1 is a front elevational view of a steering wheel assembly showing our new design;  
FIG. 2 is a rear elevational view thereof;  
FIG. 3 is a left side view thereof;  
FIG. 4 is a right side view thereof;  
FIG. 5 is a top plan view thereof;  
FIG. 6 is a bottom plan view thereof;  
FIG. 7 is a top, front and left side perspective view thereof;  
and,  
FIG. 8 is a bottom, rear and right side perspective view thereof.

The broken lines in the drawings illustrate portions of the steering wheel assembly which form no part of the claimed design.

The oblique shade lines in the drawings represent a reflective surface.

**1 Claim, 6 Drawing Sheets**



(56)

**References Cited**

U.S. PATENT DOCUMENTS

2014/0217691 A1\* 8/2014 Zeinar ..... B62D 15/02  
280/93.5  
2015/0082933 A1\* 3/2015 Spaggiari ..... B60Q 1/343  
74/484 R  
2016/0001807 A1\* 1/2016 Hans ..... B60R 11/0229  
345/173  
2017/0282954 A1\* 10/2017 Kawaguchi ..... B29C 65/02  
2019/0291772 A1\* 9/2019 Kreutz ..... B62D 1/10  
2019/0367070 A1\* 12/2019 Bana Castro ..... B62D 1/06  
2020/0172037 A1\* 6/2020 Klaenhammer ..... B60R 21/203

\* cited by examiner

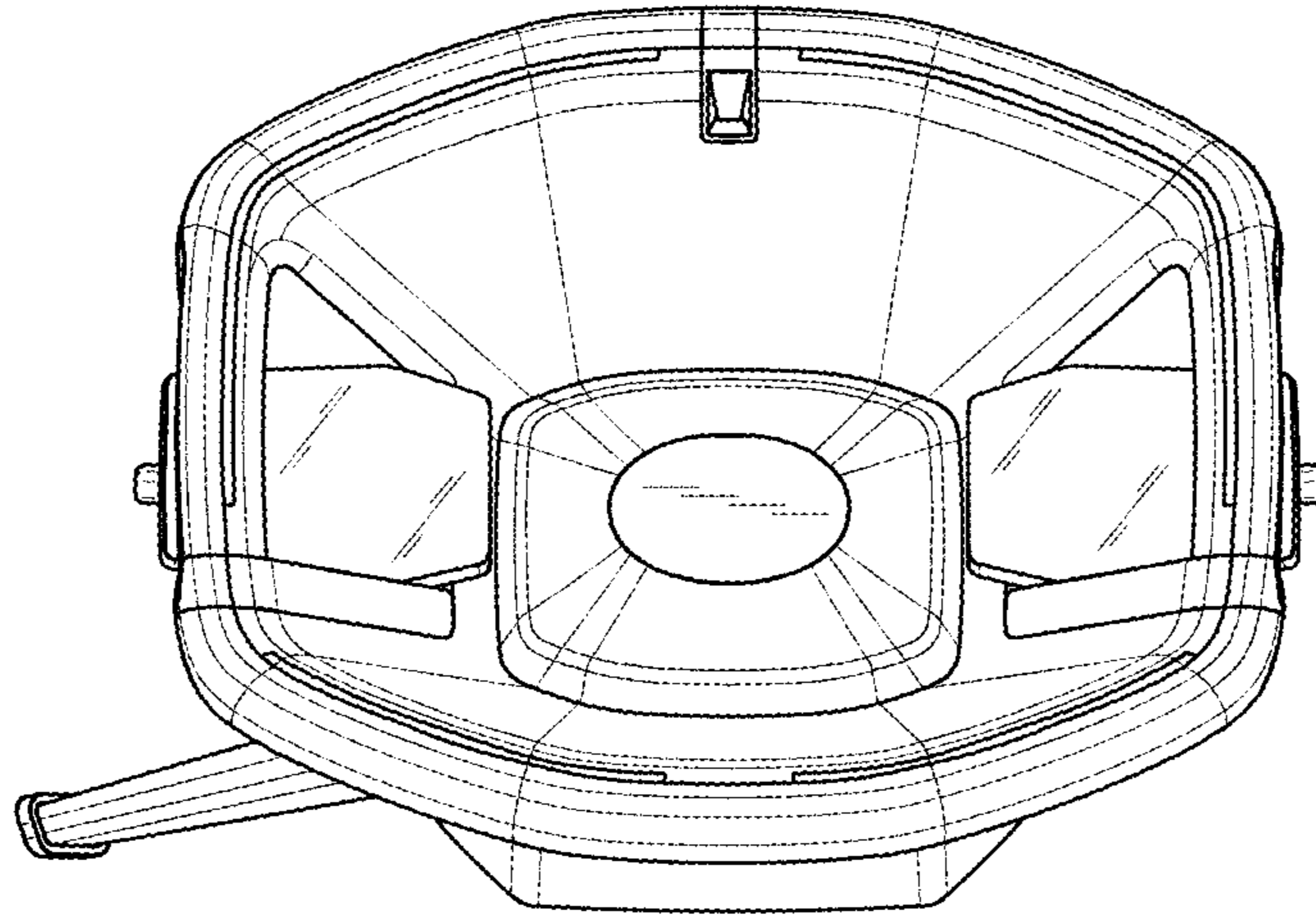


FIG.1

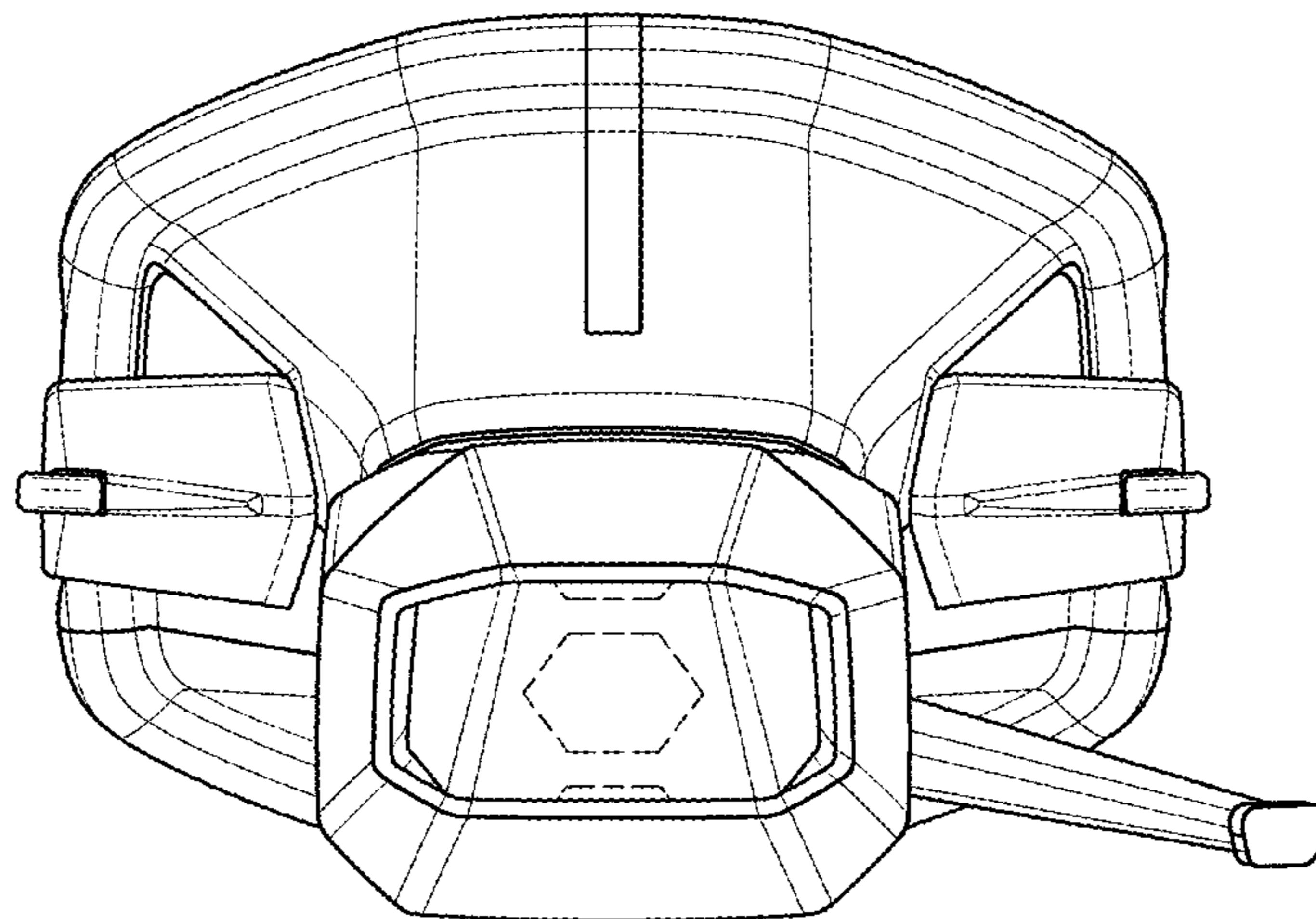


FIG.2

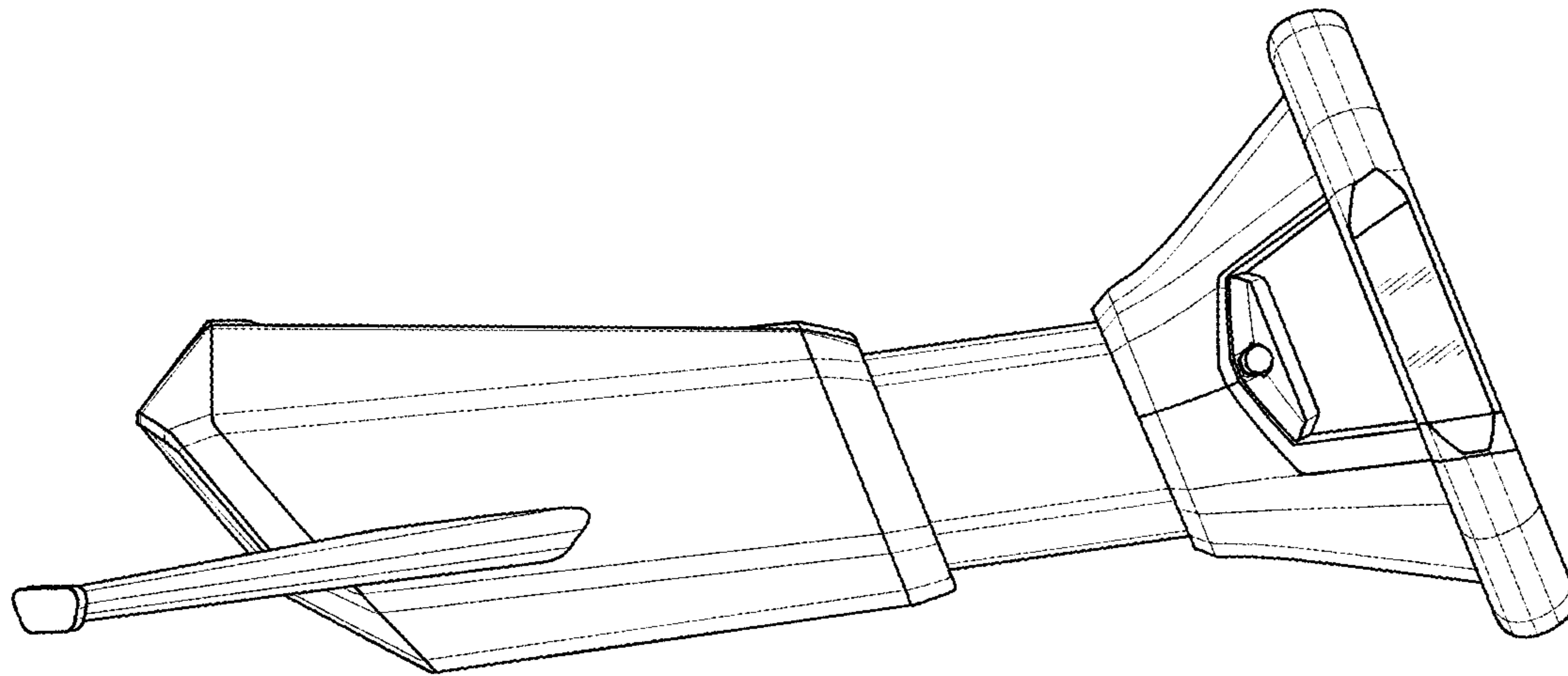


FIG.3

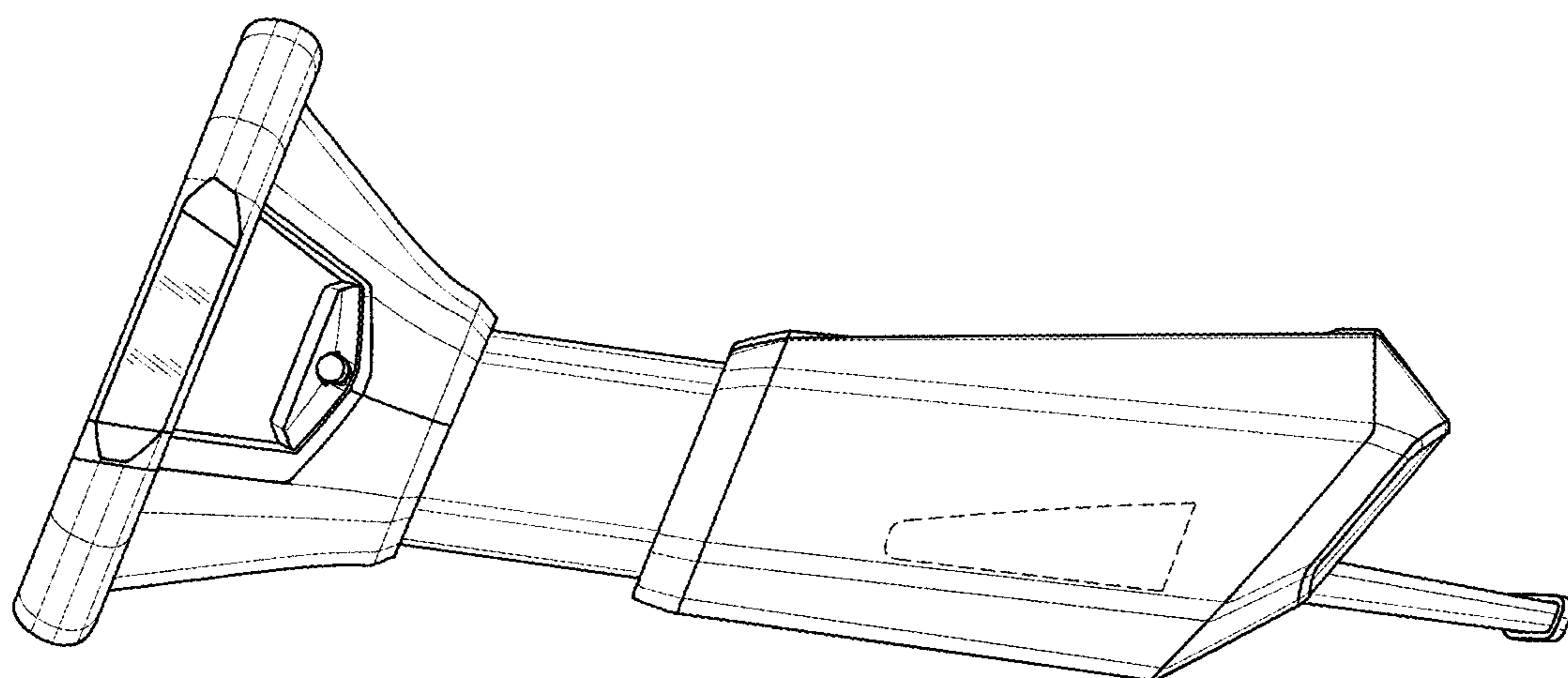


FIG.4



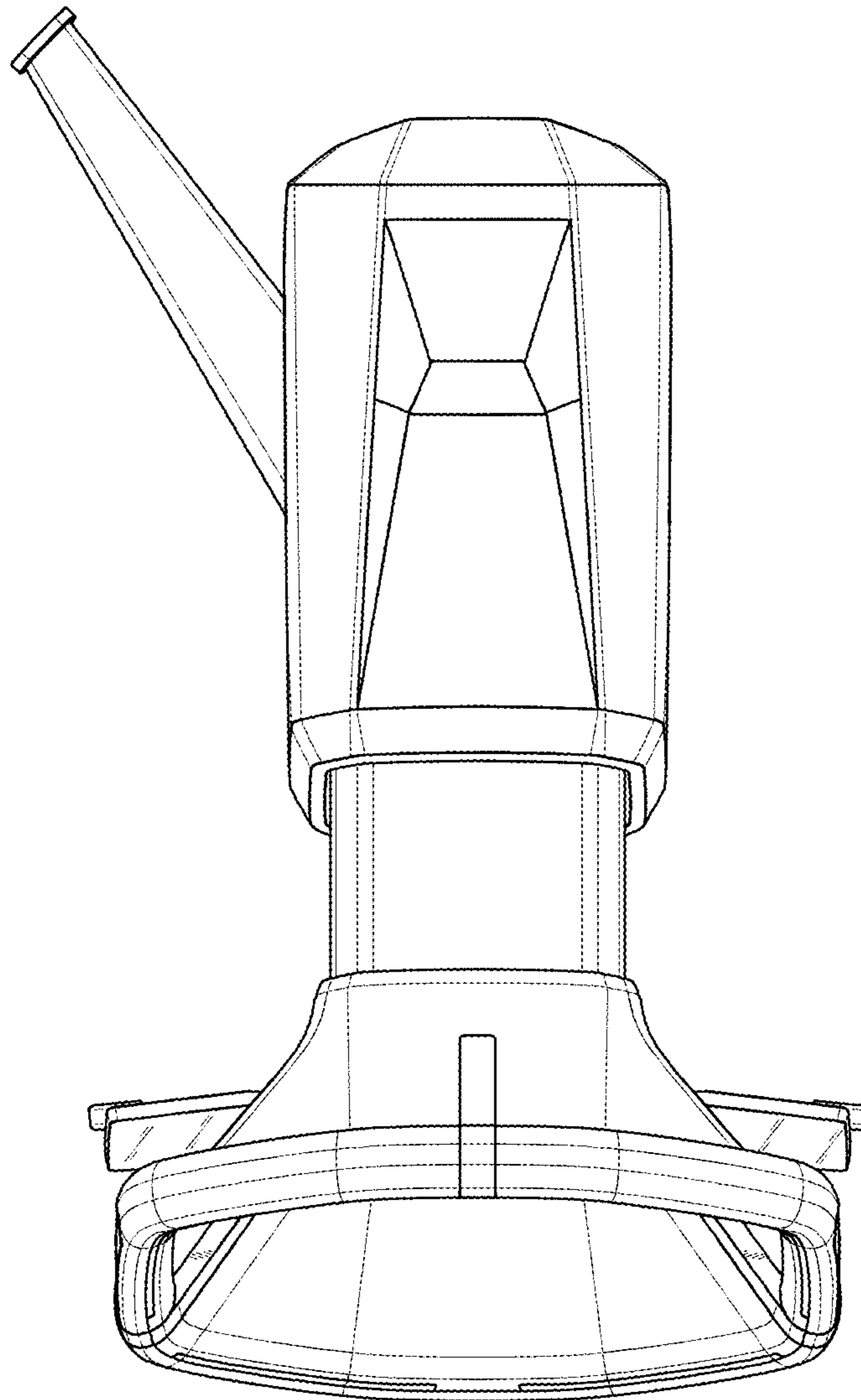


FIG.5

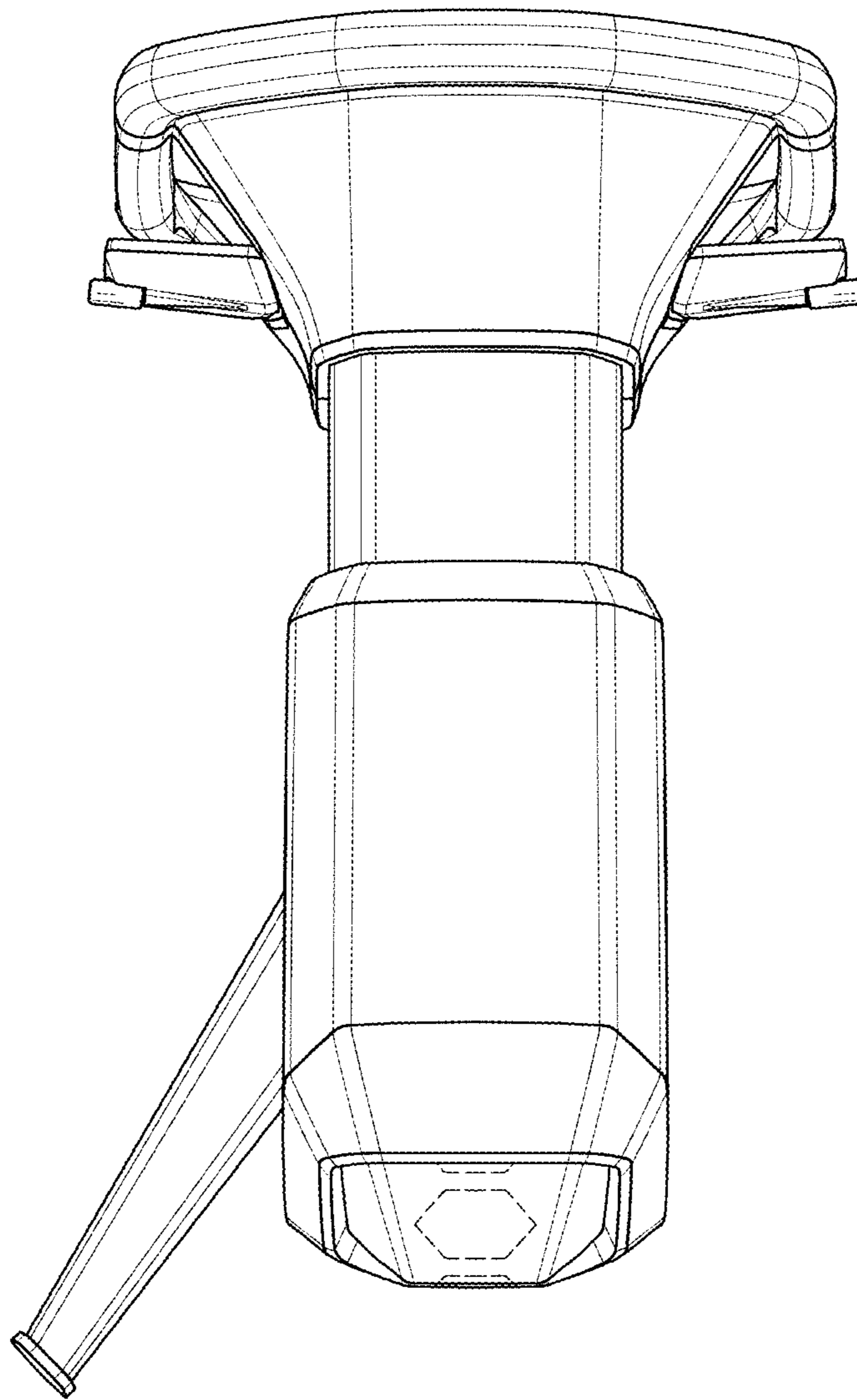


FIG.6

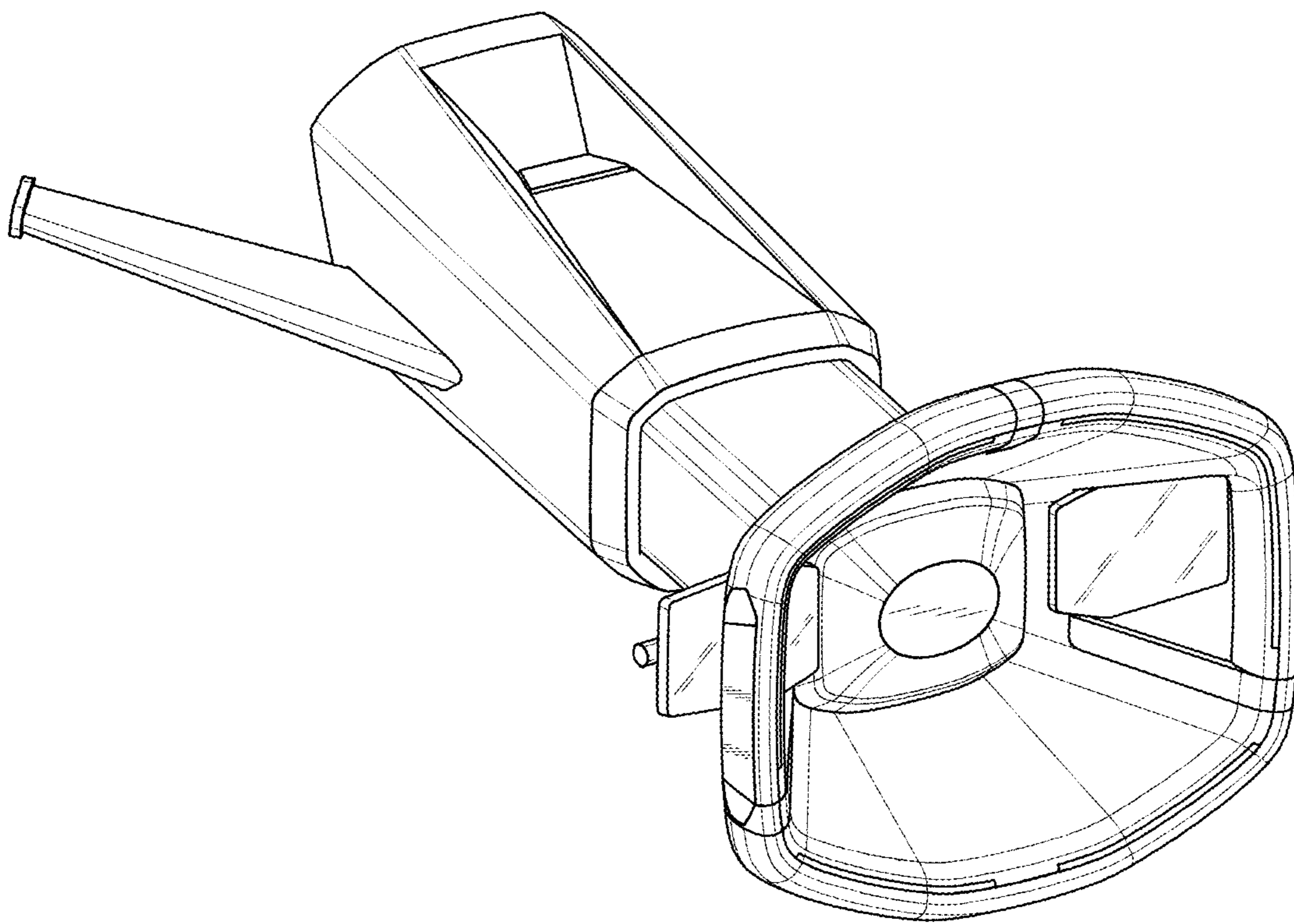


FIG.7

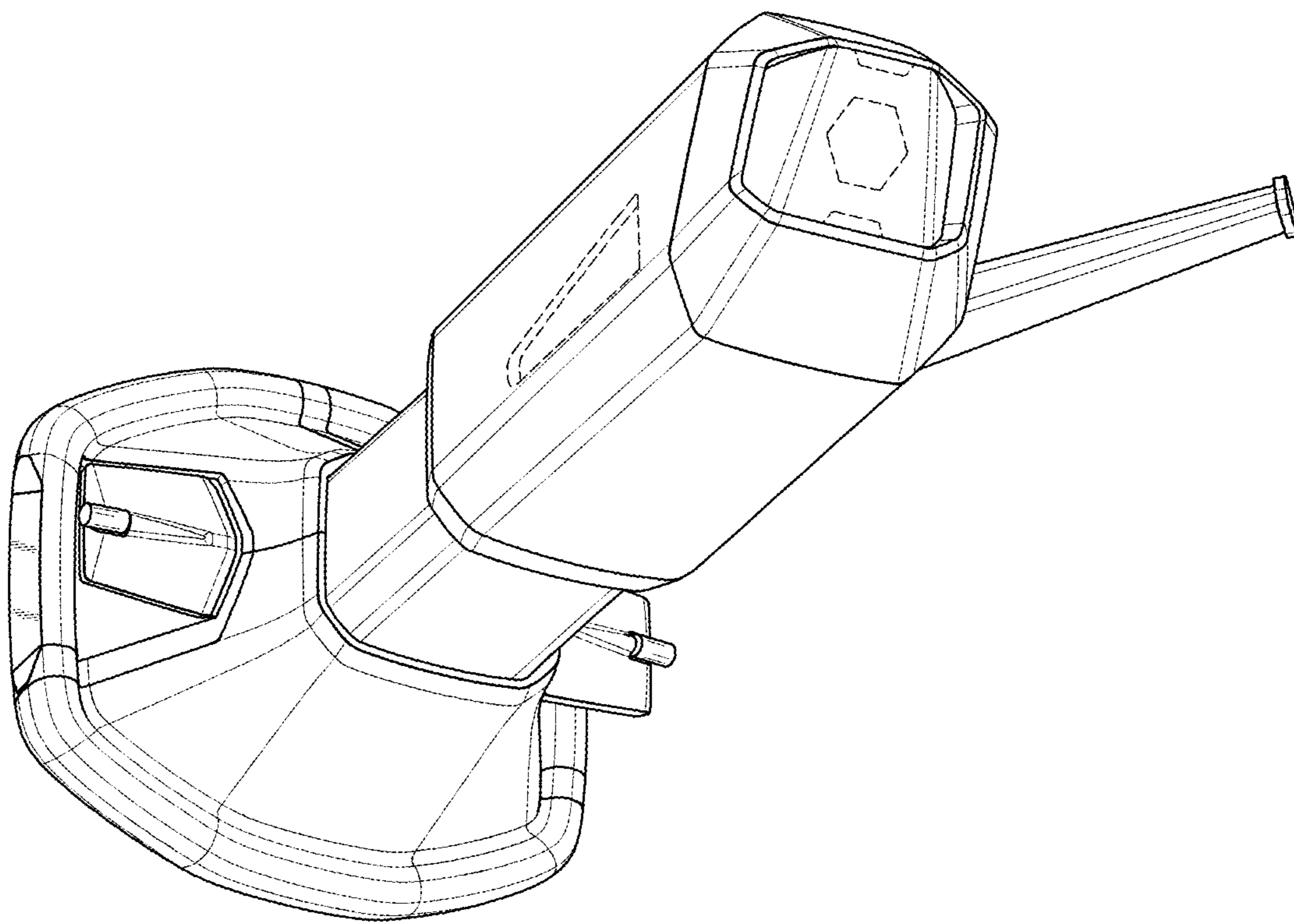


FIG.8