



US00D909262S

(12) **United States Design Patent**
Gilbert

(10) **Patent No.:** **US D909,262 S**

(45) **Date of Patent:** **** Feb. 2, 2021**

(54) **REAR BUMPER FOR A VEHICLE**

D833,343 S * 11/2018 Patel D12/169
D840,292 S * 2/2019 Wheel D12/169
D842,772 S * 3/2019 Battams D12/169
D872,651 S * 1/2020 Pollard D12/91

(71) Applicant: **Jaguar Land Rover Limited**, Whitley
Coventry (GB)

(72) Inventor: **Thomas Gilbert**, Whitley Coventry
(GB)

(73) Assignee: **Jaguar Land Rover Limited**, Whitley
Coventry (GB)

(**) Term: **15 Years**

(21) Appl. No.: **29/683,959**

(22) Filed: **Mar. 18, 2019**

(30) **Foreign Application Priority Data**

Sep. 16, 2018 (EM) 005642550

(51) **LOC (13) Cl.** **12-16**

(52) **U.S. Cl.**
USPC **D12/169**

(58) **Field of Classification Search**
USPC D12/169, 164, 196, 171, 163, 86, 90-92;
293/102, 113, 115, 117, 120; 296/180.1,
296/180.2

CPC B60R 19/02; B60R 19/04; B62D 25/08
See application file for complete search history.

(56) **References Cited**

U.S. PATENT DOCUMENTS

D807,258 S * 1/2018 Patel D12/169
D808,871 S * 1/2018 Peat D12/169

* cited by examiner

Primary Examiner — Melody N Brown

(74) *Attorney, Agent, or Firm* — Wood Herron & Evans
LLP

(57) **CLAIM**

The ornamental design for a rear bumper for a vehicle, as
shown and described.

DESCRIPTION

FIG. 1 is a top, front and left side perspective view of a rear
bumper for a vehicle showing my new design;

FIG. 2 is a bottom, rear and left side perspective view
thereof;

FIG. 3 is a top, rear and right side perspective view thereof;

FIG. 4 is a right, rear perspective view thereof;

FIG. 5 is a front view thereof;

FIG. 6 is a rear view thereof;

FIG. 7 is a left side view thereof;

FIG. 8 is a right side view thereof;

FIG. 9 is a top view thereof;

FIG. 10 is a bottom view thereof; and,

FIG. 11 is another front elevational view thereof shown on
a vehicle.

The vehicle shown in broken lines in the FIG. 11 drawing
view are for illustrative and environmental purpose and form
no part of the claim design.

1 Claim, 11 Drawing Sheets

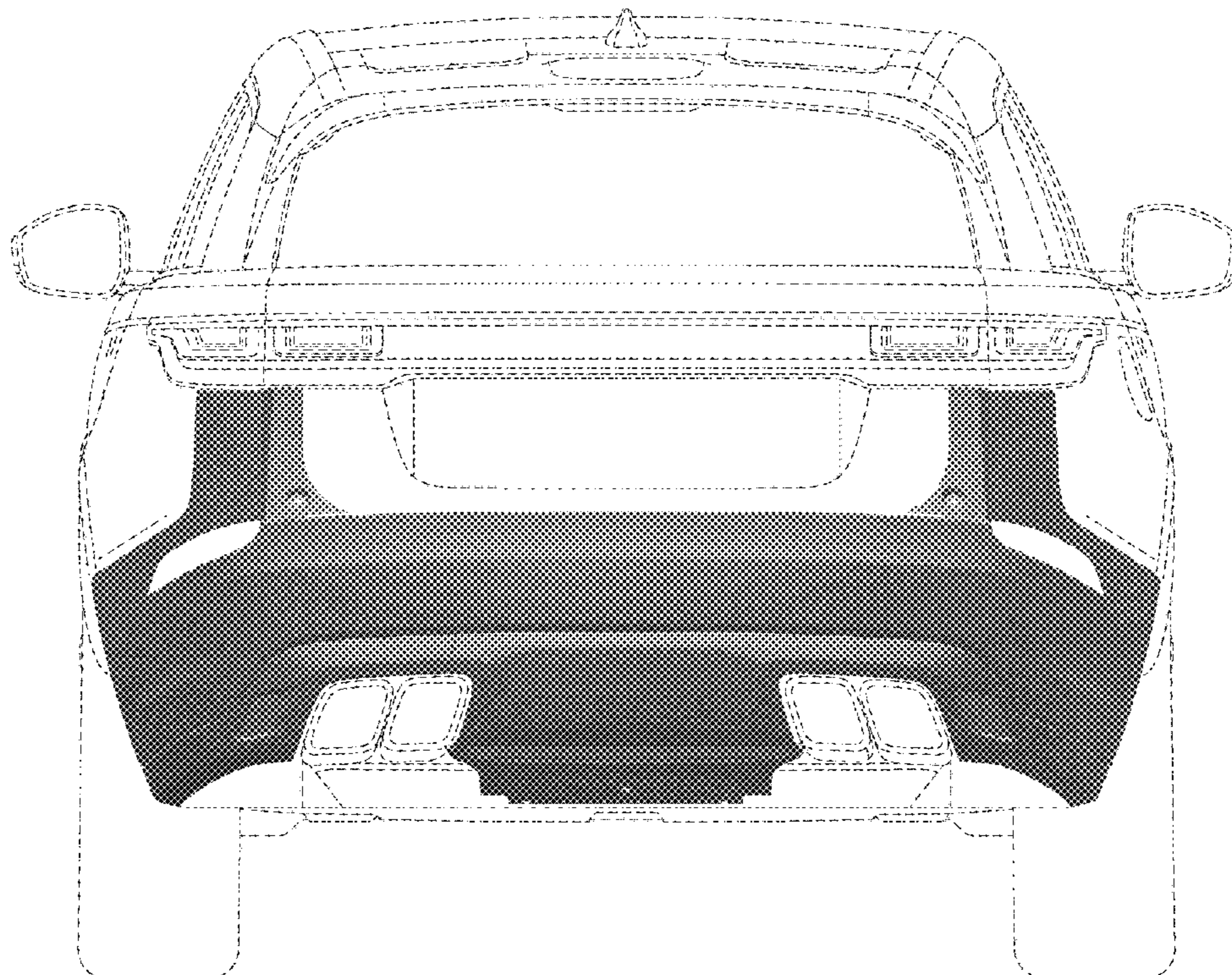




FIG. 1

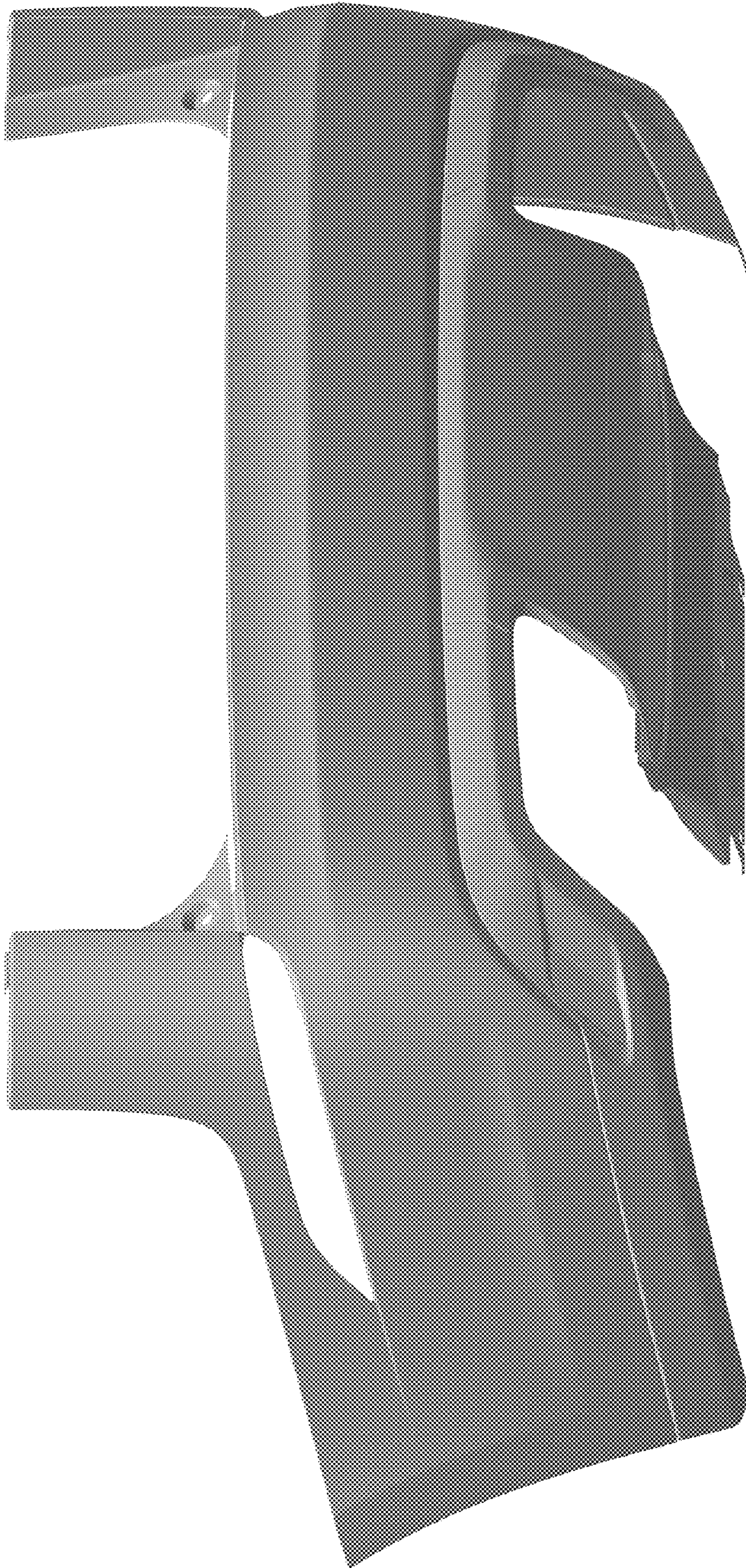


FIG. 2



FIG. 3

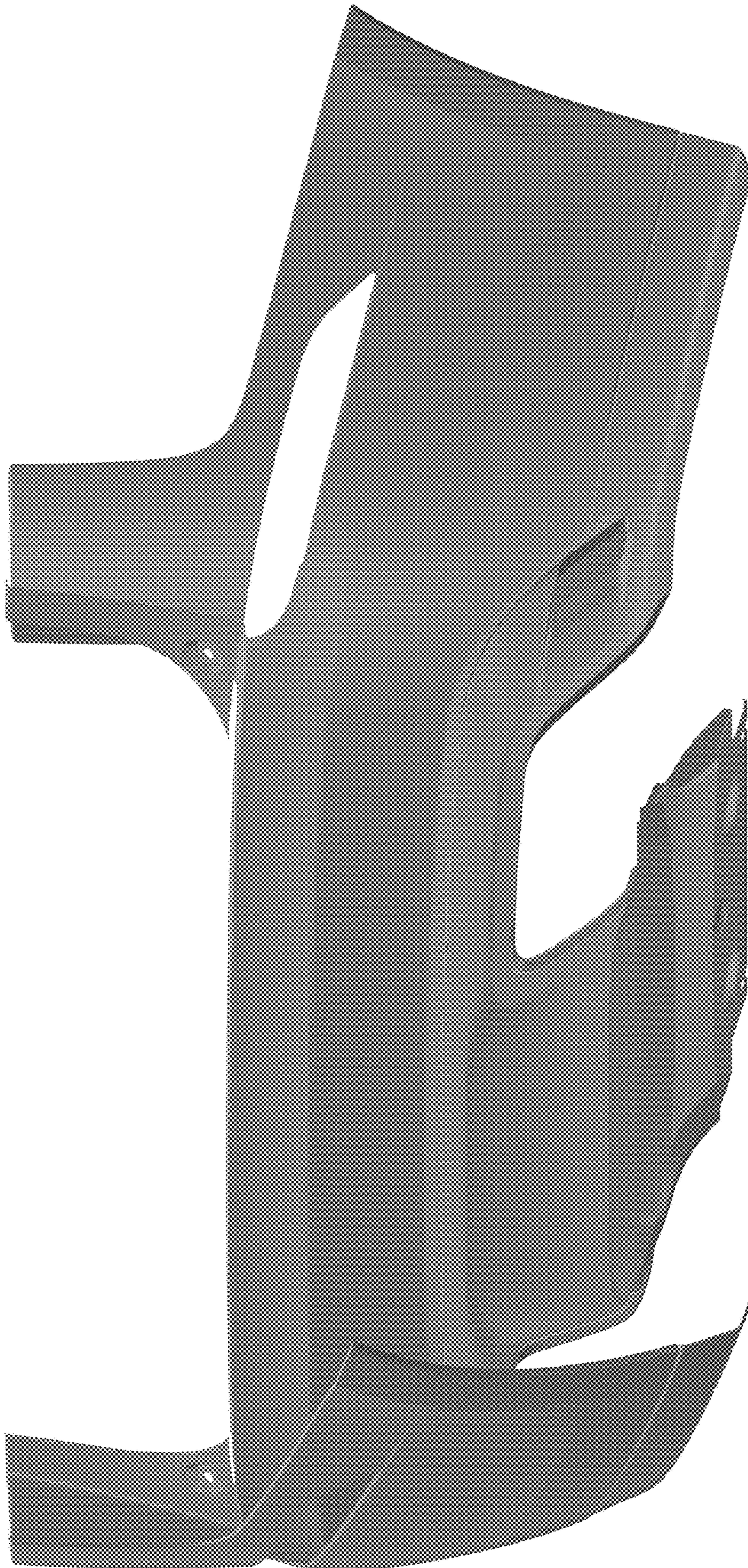


FIG. 4

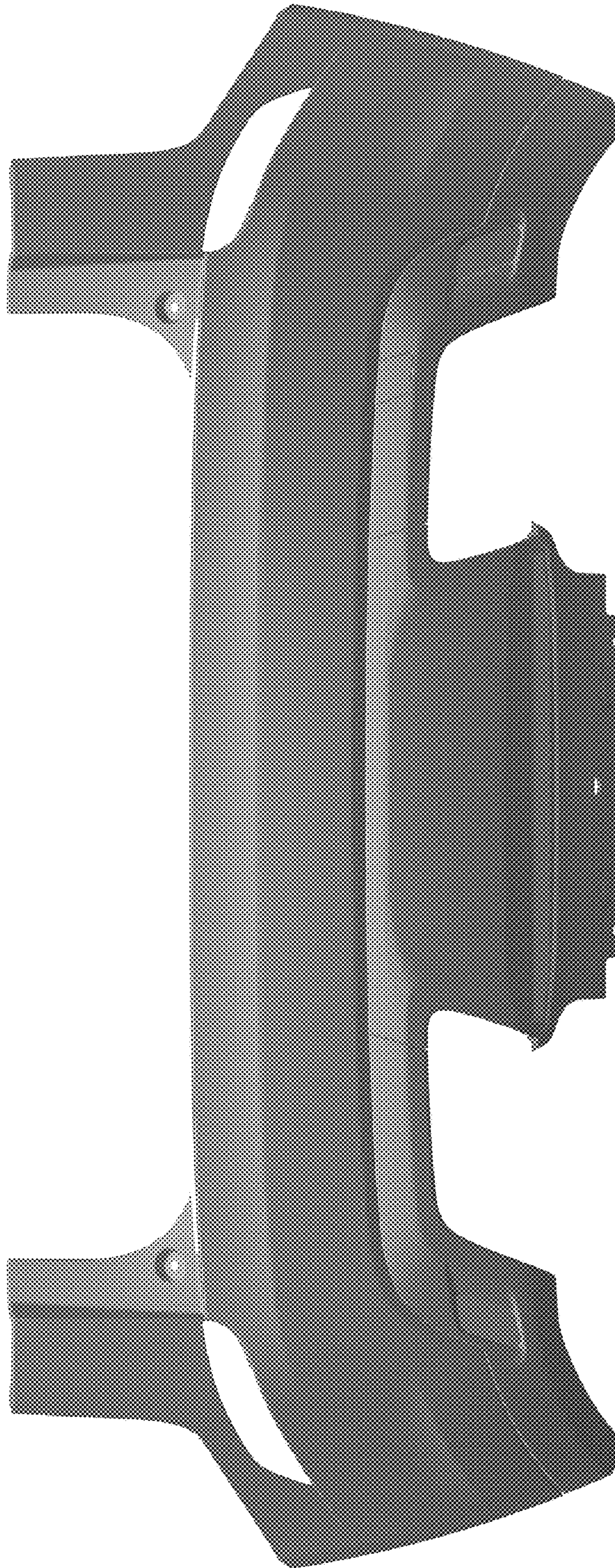


FIG. 5

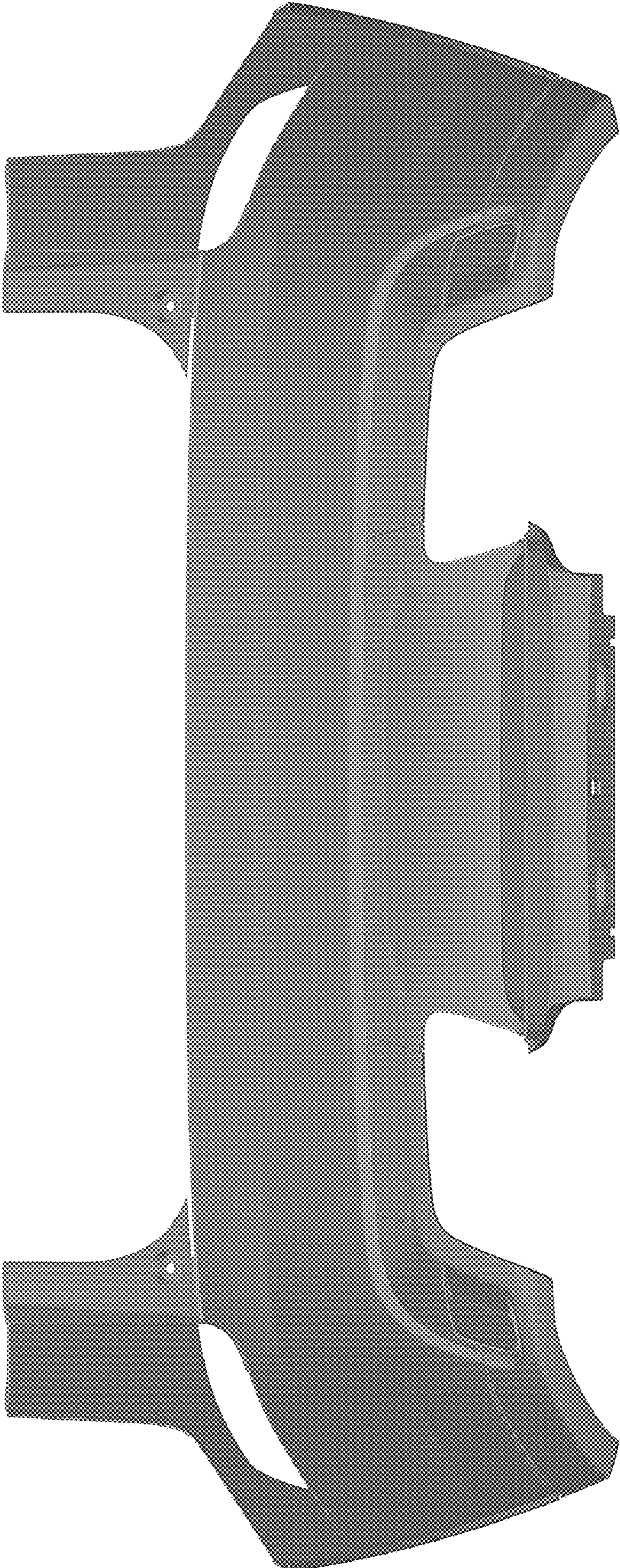


FIG. 6

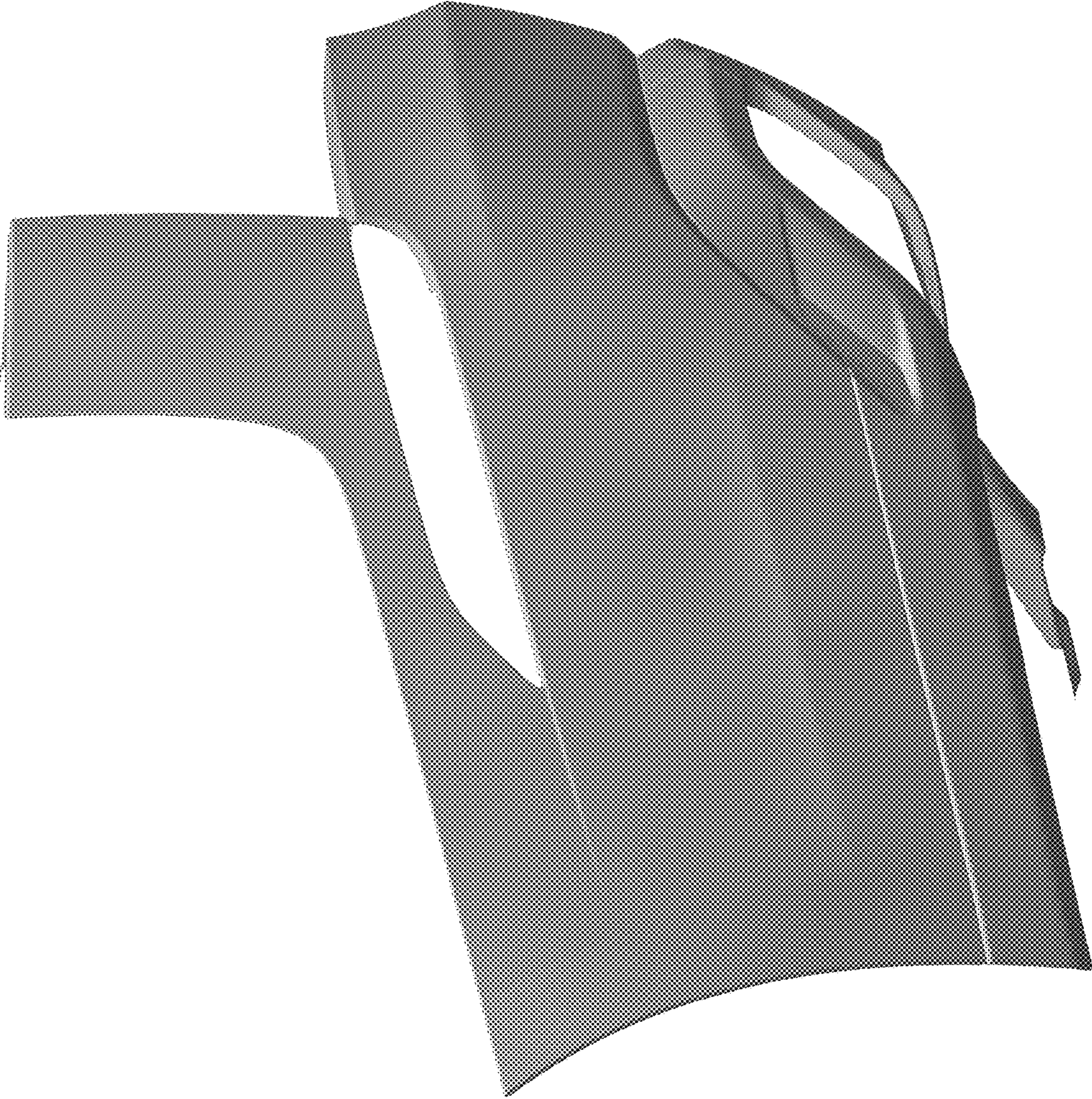


FIG. 7

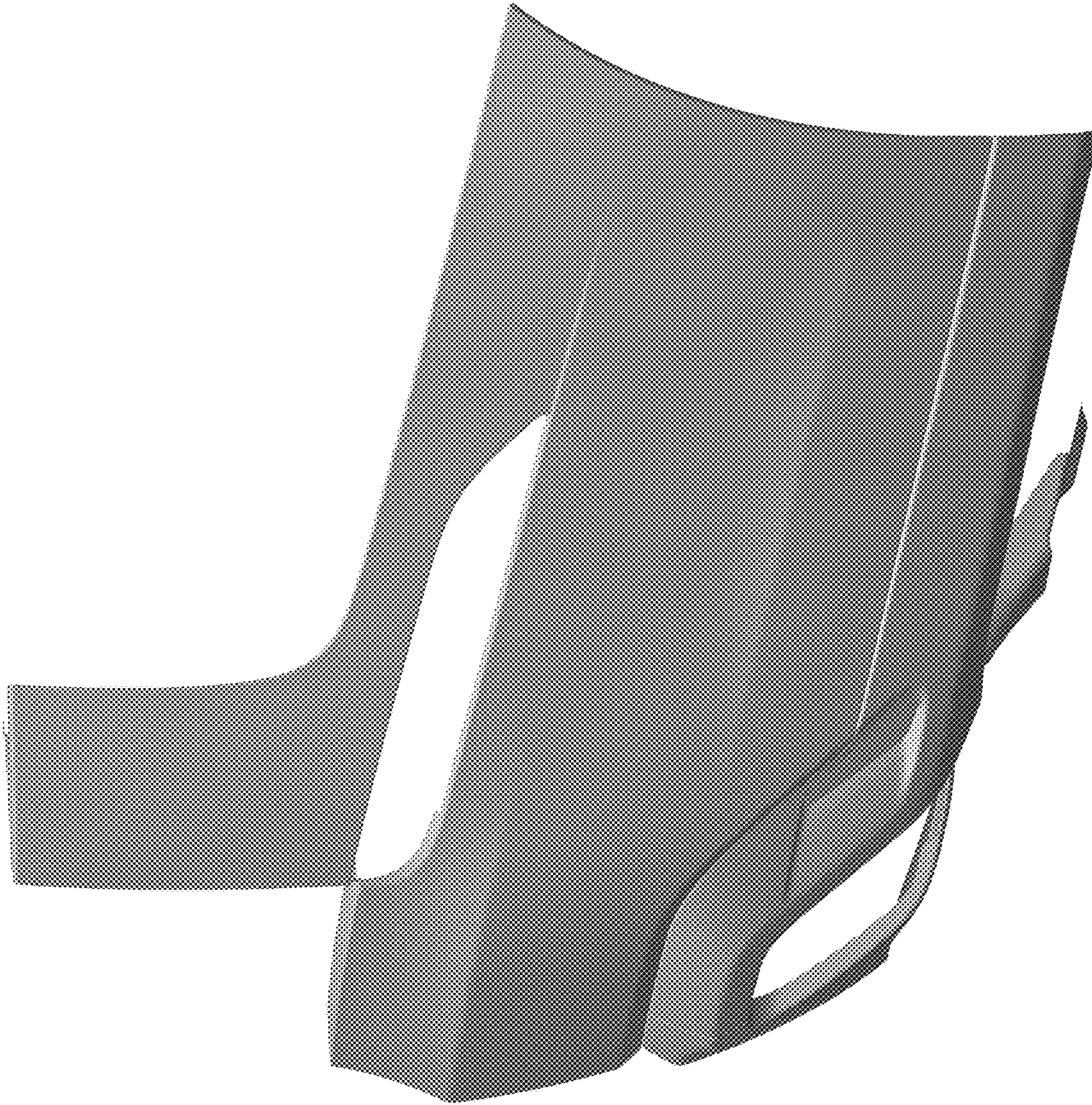


FIG. 8

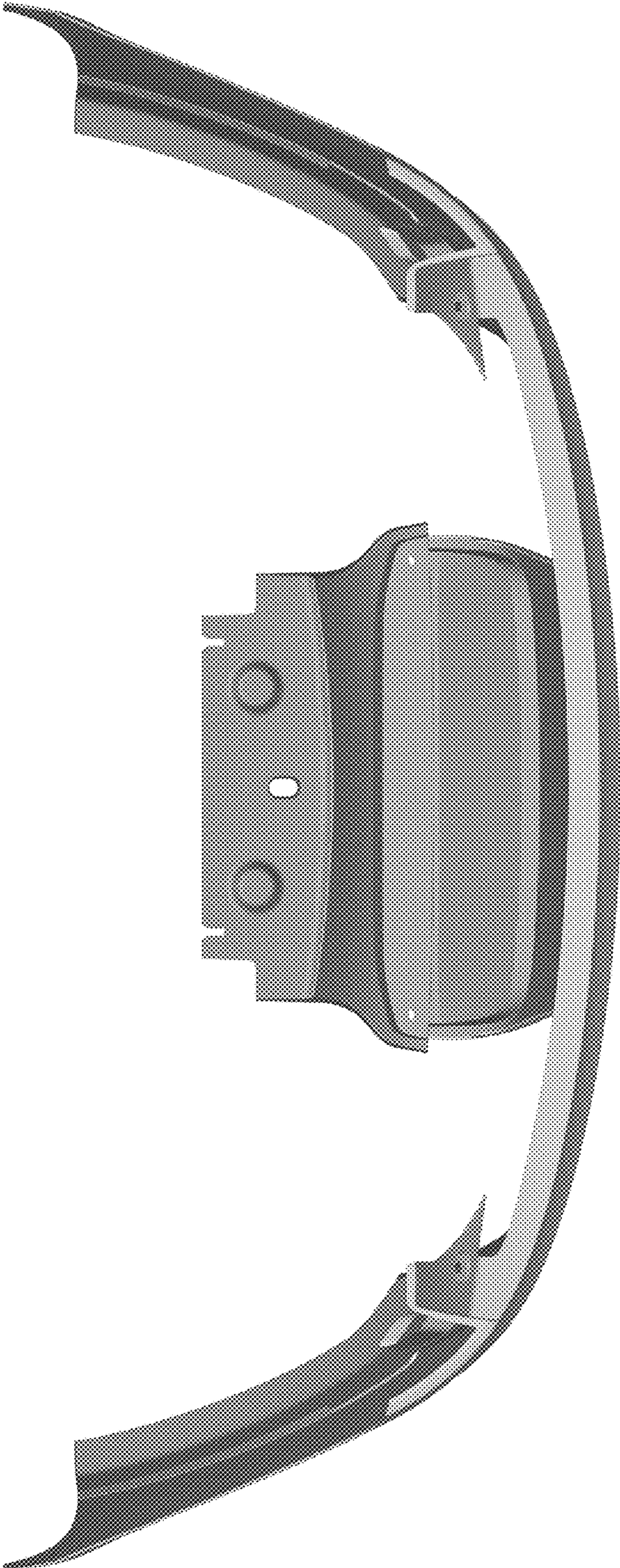


FIG. 9

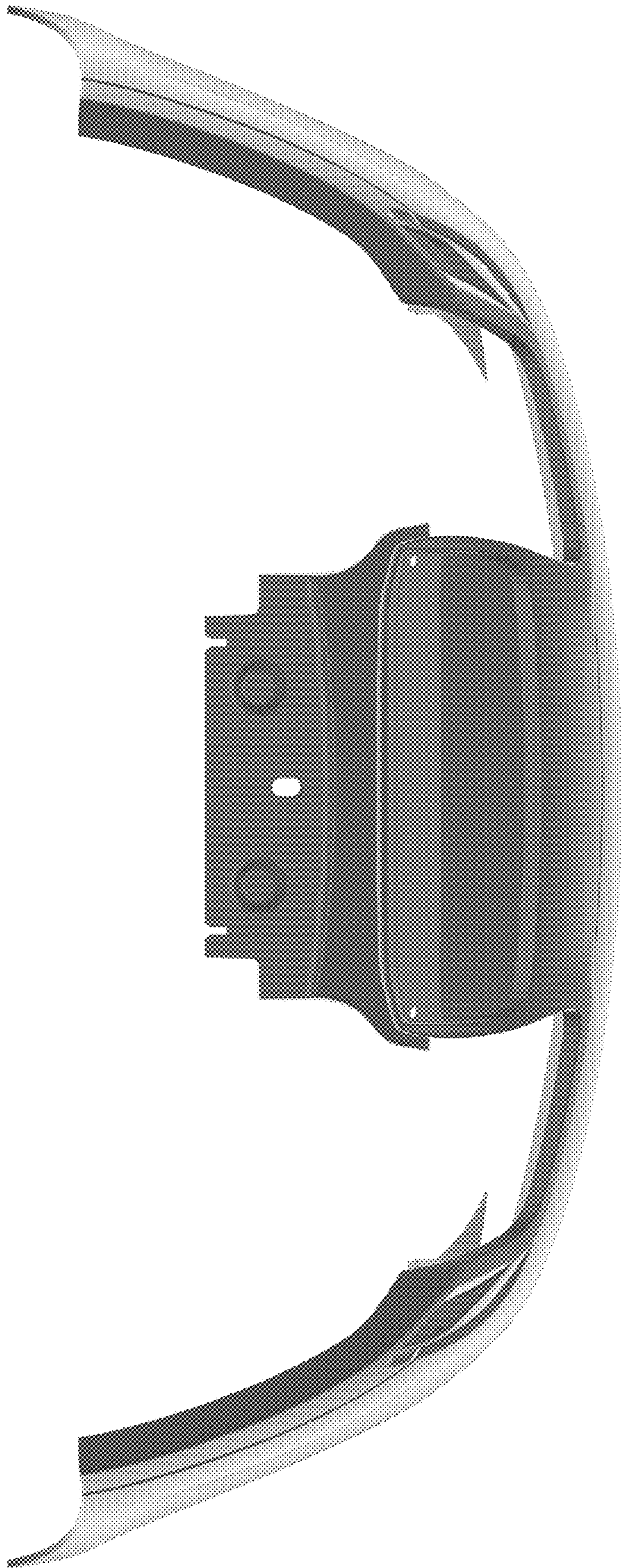


FIG. 10

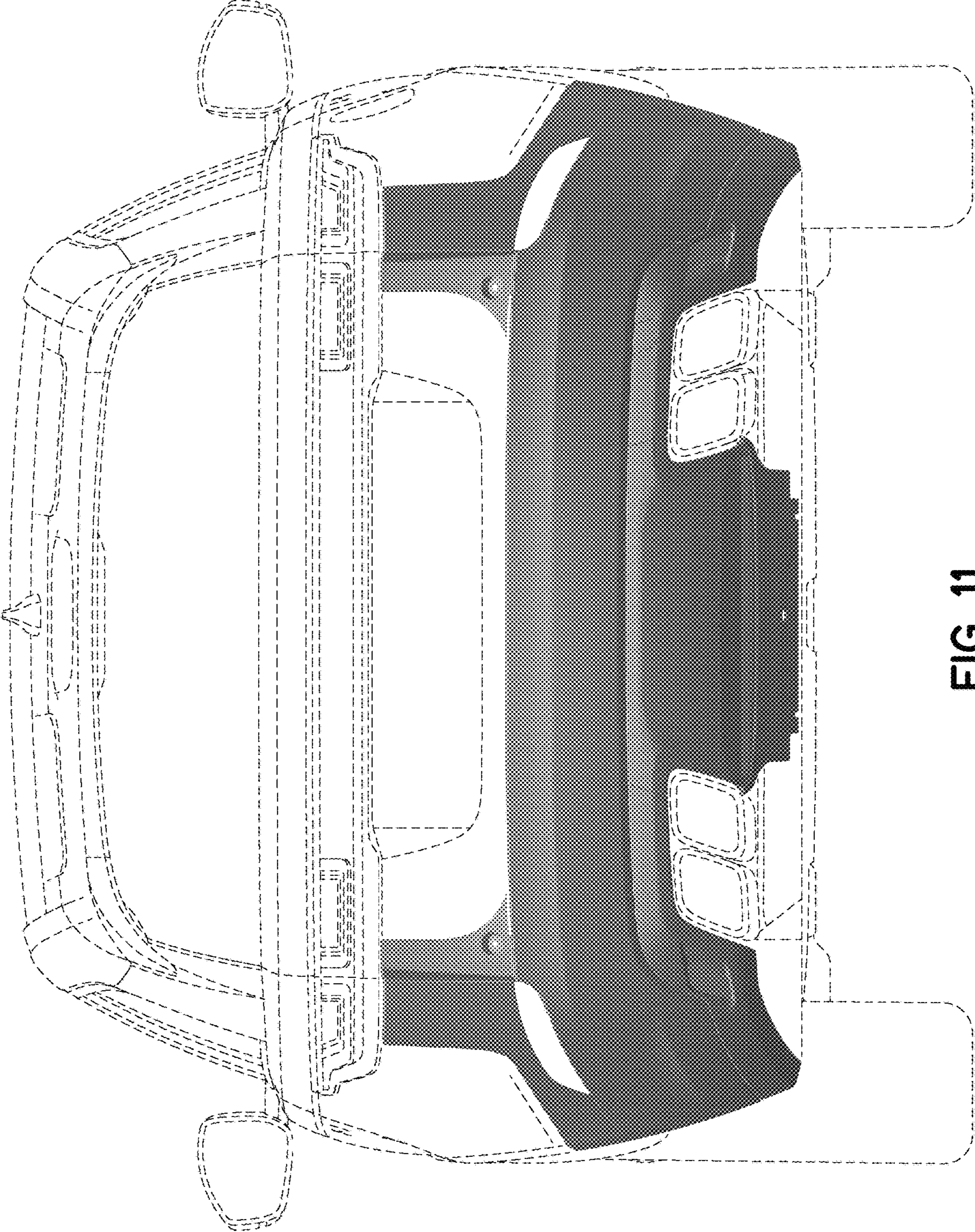


FIG. 11