



US00D909257S

(12) **United States Design Patent** (10) **Patent No.:** **US D909,257 S**
Muñoz (45) **Date of Patent:** **** Feb. 2, 2021**

(54) **ELECTRIC BICYCLE FRAME**
(71) Applicant: **Gabriel Esteban Muñoz**, City Bell (AR)
(72) Inventor: **Gabriel Esteban Muñoz**, City Bell (AR)
(**) Term: **15 Years**
(21) Appl. No.: **29/693,493**
(22) Filed: **Jun. 3, 2019**
(51) **LOC (13) Cl.** **12-11**
(52) **U.S. Cl.**
USPC **D12/111**
(58) **Field of Classification Search**
USPC D12/111, 117; D21/412, 414, 419, D21/423-428, 431-435
CPC B62K 3/00; B62K 3/02; B62K 3/06
See application file for complete search history.

D686,950 S * 7/2013 Lin D12/111
D689,408 S * 9/2013 Kim D12/111
D721,014 S * 1/2015 Kahler, Jr. D12/111
D722,285 S * 2/2015 Silva D12/111
D735,089 S * 7/2015 Gauthier D12/111
D735,618 S * 8/2015 Lawson D12/111
D774,970 S * 12/2016 D'Aluisio D12/111
D785,509 S * 5/2017 Juhlin D12/111
9,908,582 B1 * 3/2018 Choi B62K 19/36
D842,764 S * 3/2019 Acacia D12/111
D843,893 S * 3/2019 Reiter D12/111
D844,493 S * 4/2019 Song D12/111
2019/0077476 A1 * 3/2019 Lloyd B62J 25/00
2019/0185101 A1 * 6/2019 Choi B62K 19/20

* cited by examiner

Primary Examiner — Darlington Ly

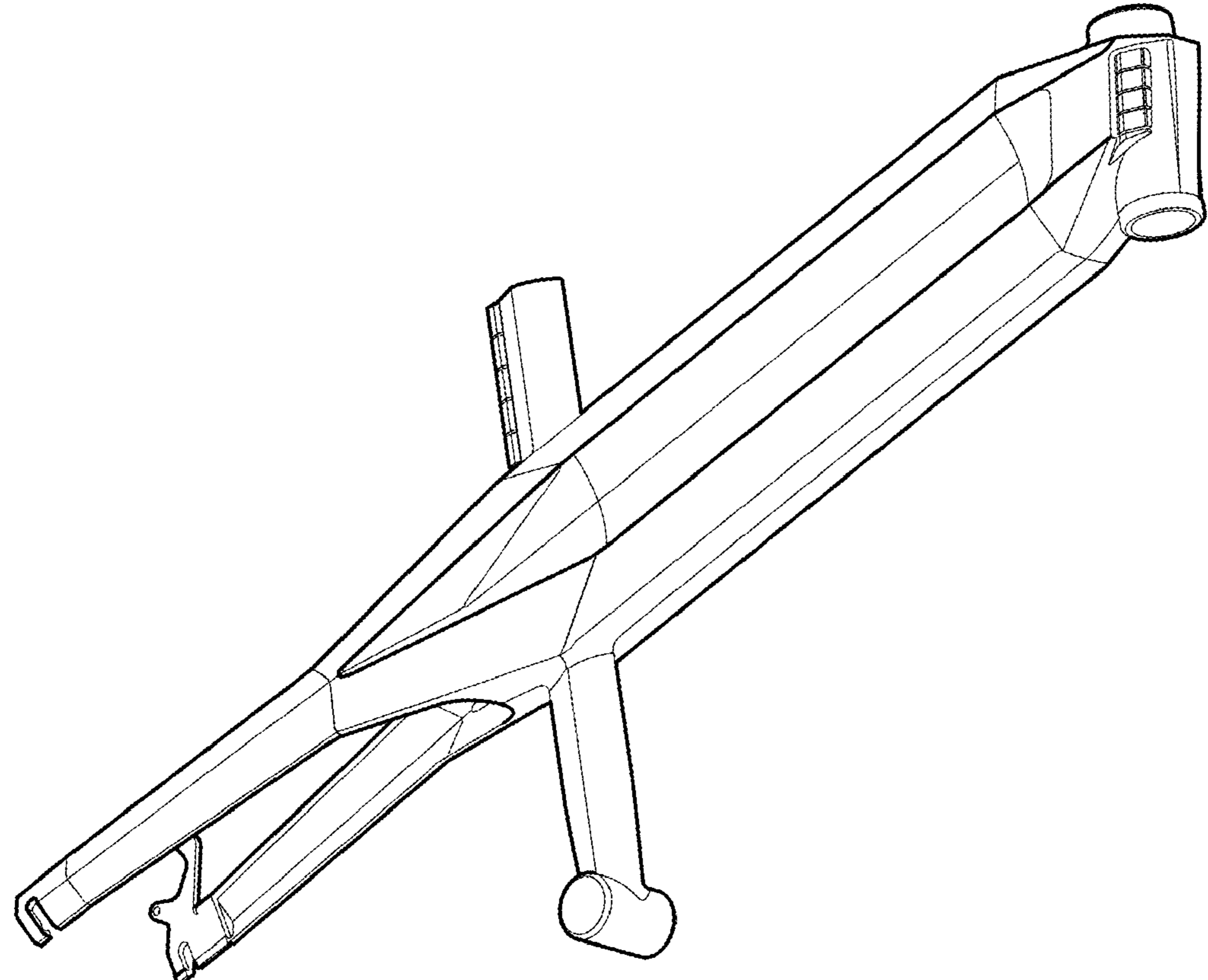
(57) **CLAIM**
The ornamental design for an electric bicycle frame, as shown.

DESCRIPTION

FIG. 1 is a bottom, front, and right side perspective view of an electric bicycle frame showing my new design; FIG. 2 is a right side elevation view thereof; FIG. 3 is a left side elevation view thereof; FIG. 4 is a front elevation view thereof; FIG. 5 is a rear elevation view thereof; FIG. 6 is a top plan view thereof; and, FIG. 7 is a bottom plan view thereof.

1 Claim, 7 Drawing Sheets

(56) **References Cited**
U.S. PATENT DOCUMENTS
D405,030 S * 2/1999 Frost D12/111
D418,778 S * 1/2000 Allen D12/111
D419,110 S * 1/2000 Allen D12/111
D517,452 S * 3/2006 Hickman D12/111
D604,205 S * 11/2009 Cattaneo D12/111
D637,527 S * 5/2011 Choi D12/111



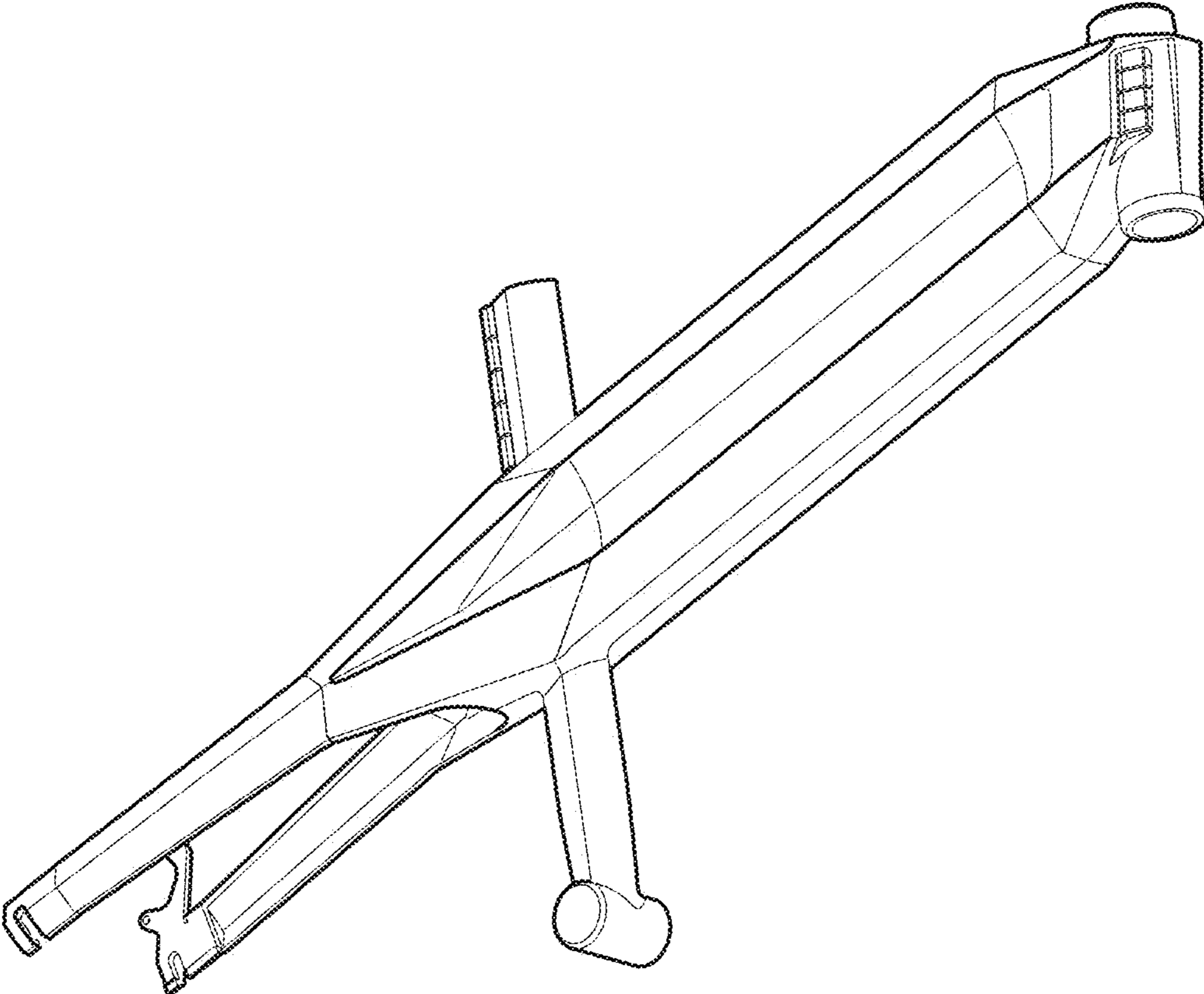


FIG. 1

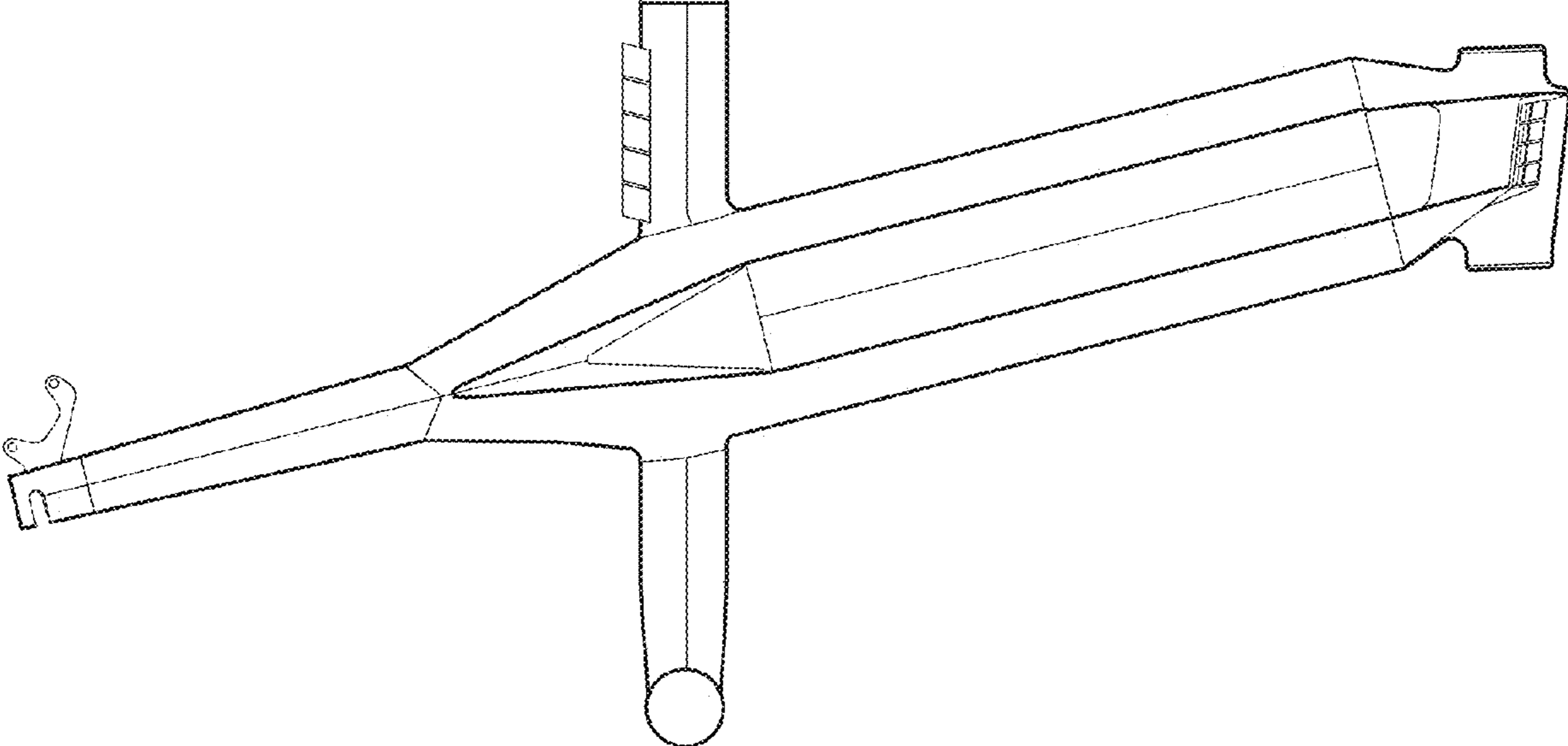


FIG. 2

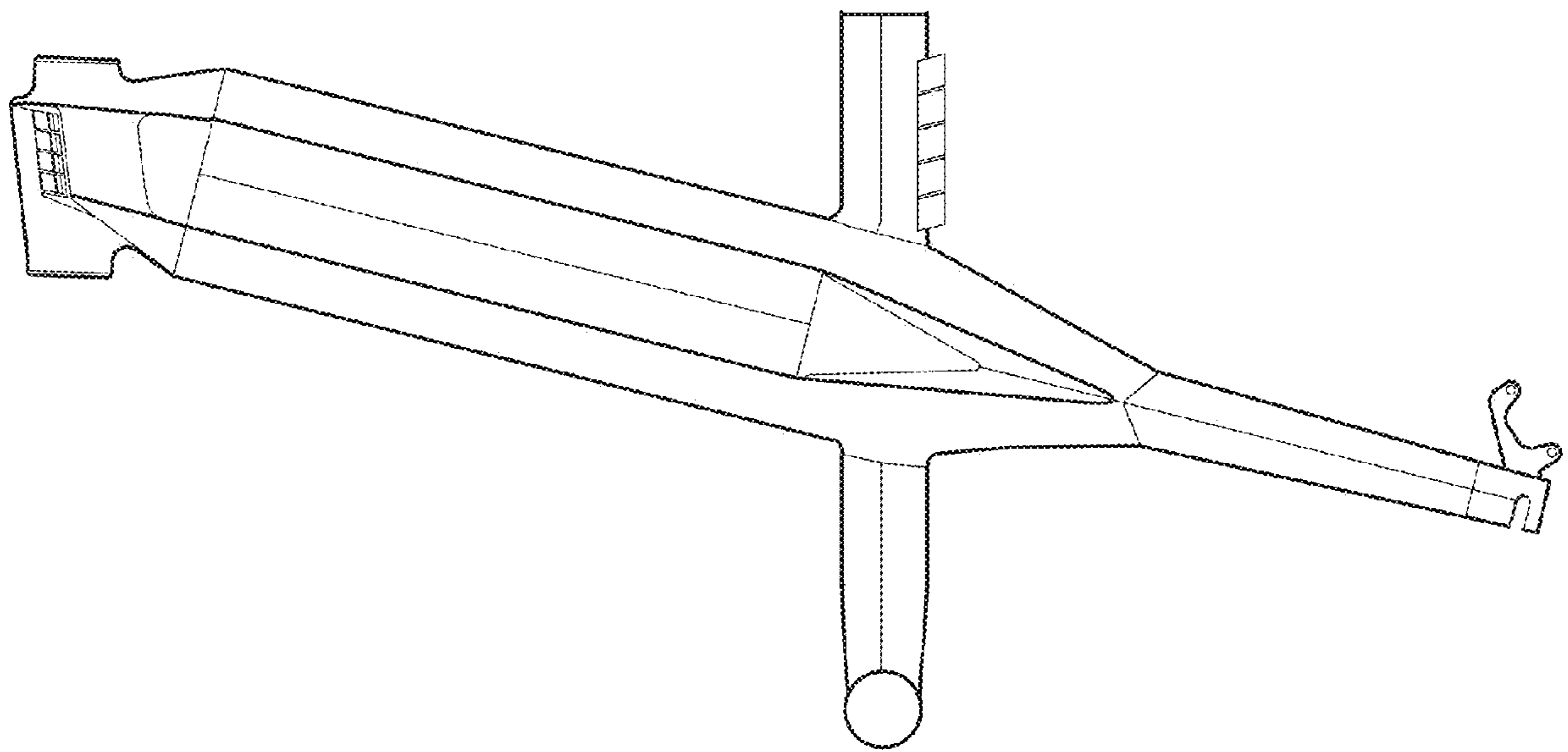


FIG. 3

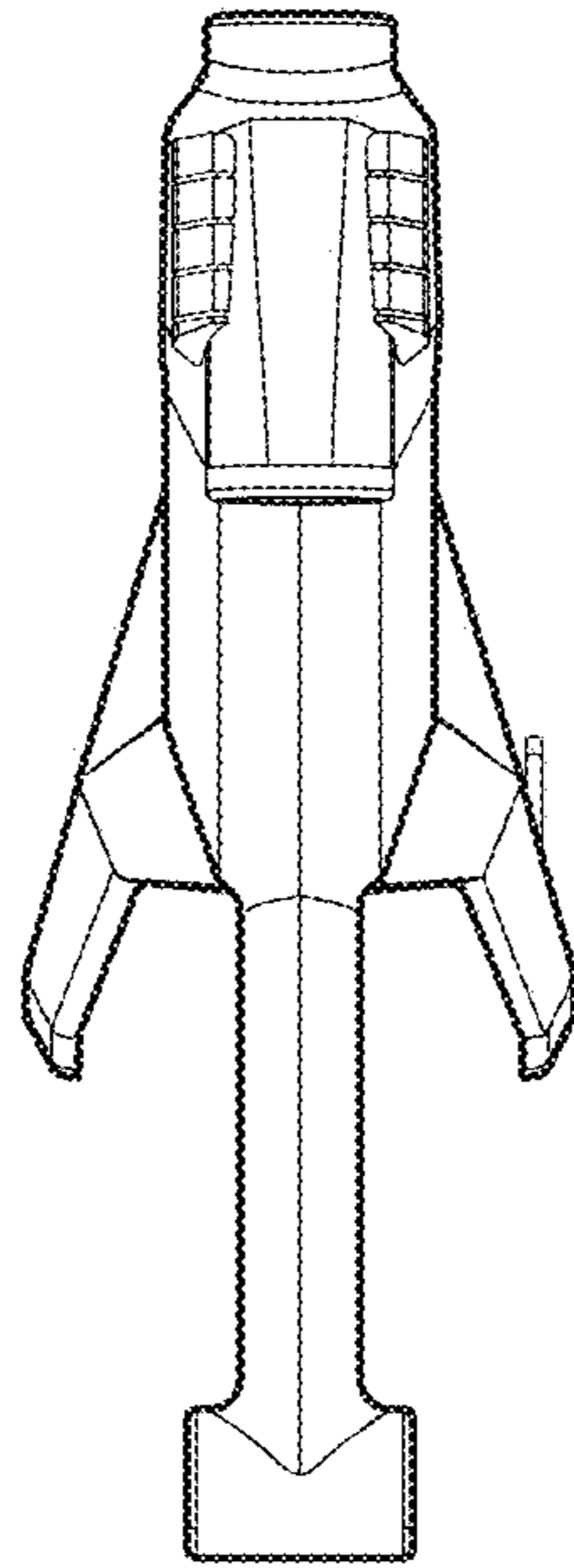


FIG. 4

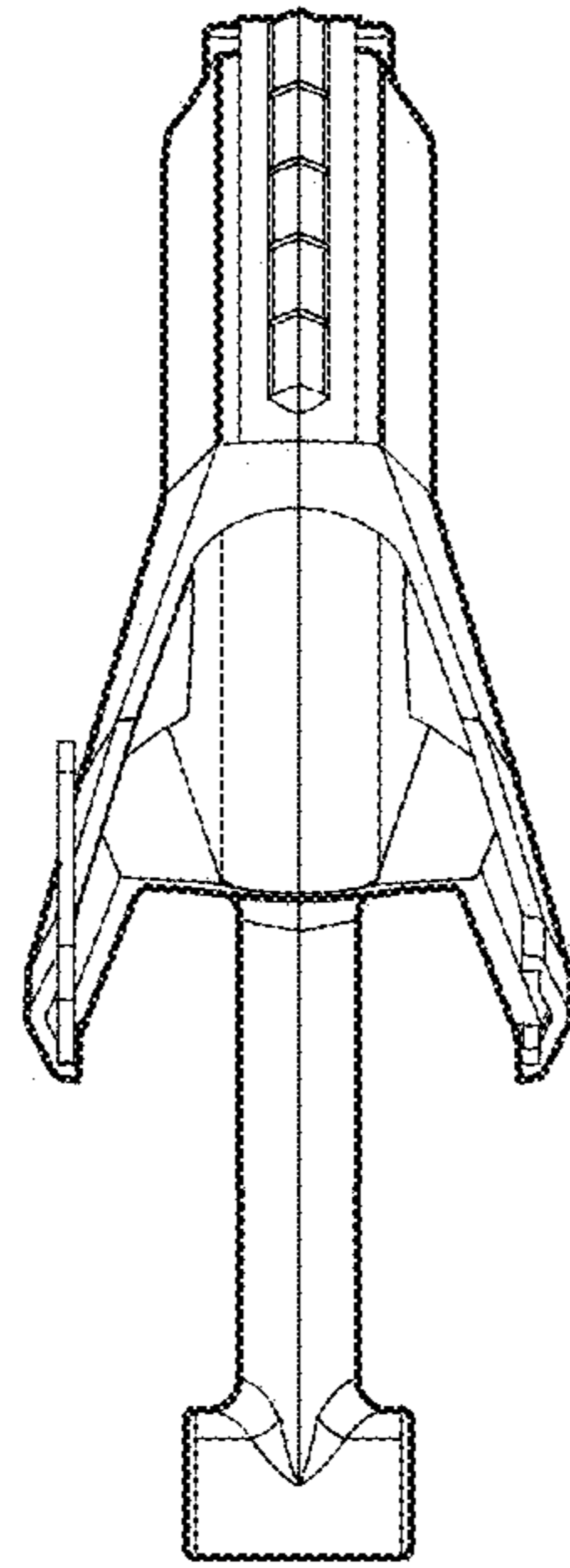


FIG. 5

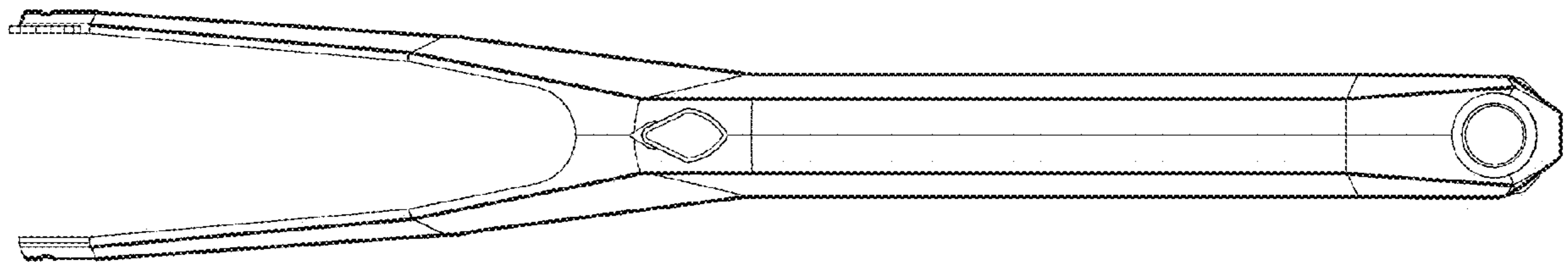


FIG. 6

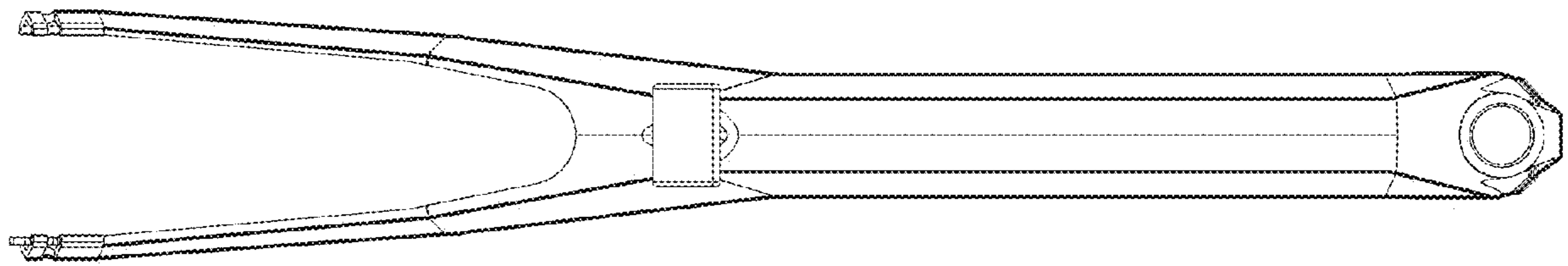


FIG. 7