



US00D909256S

(12) **United States Design Patent** (10) **Patent No.:** **US D909,256 S**
Bläsi (45) **Date of Patent:** **** Feb. 2, 2021**

(54) **SCOOTER**

11/10; B62D 51/00; B62D 51/001; B62D 51/02; B62D 61/00; B62D 61/02

(71) Applicant: **SCROOSER GmbH**, Berlin (DE)

See application file for complete search history.

(72) Inventor: **Georg Bläsi**, Berlin (DE)

(56) **References Cited**

(**) Term: **15 Years**

U.S. PATENT DOCUMENTS

(21) Appl. No.: **35/507,963**

D543,904 S * 6/2007 Chang D12/110
D803,948 S * 11/2017 Chis D21/423
D814,978 S * 4/2018 Niu D12/110
D830,911 S * 10/2018 Li D12/110
D832,931 S * 11/2018 Gudushauri D21/423
D838,212 S * 1/2019 David D12/110

(22) Filed: **Jul. 30, 2019**

(80) **Hague Agreement Data**

* cited by examiner

Int. Filing Date: **Jul. 30, 2019**

Int. Reg. No.: **DM/204449**

Int. Reg. Date: **Jul. 30, 2019**

Int. Reg. Pub. Date: **Dec. 6, 2019**

Primary Examiner — George D. Kirschbaum

Assistant Examiner — Joseph J Kukella

(30) **Foreign Application Priority Data**

(57) **CLAIM**

The ornamental design for a scooter, as shown and described.

Jan. 31, 2019 (EM) 006135133-0001

(51) **LOC (13) Cl.** **12-11**

(52) **U.S. Cl.**

USPC **D12/110; D21/423**

(58) **Field of Classification Search**

USPC D12/107, 109-113; D21/419, 423, 563, D21/760, 763-765, 771, 779

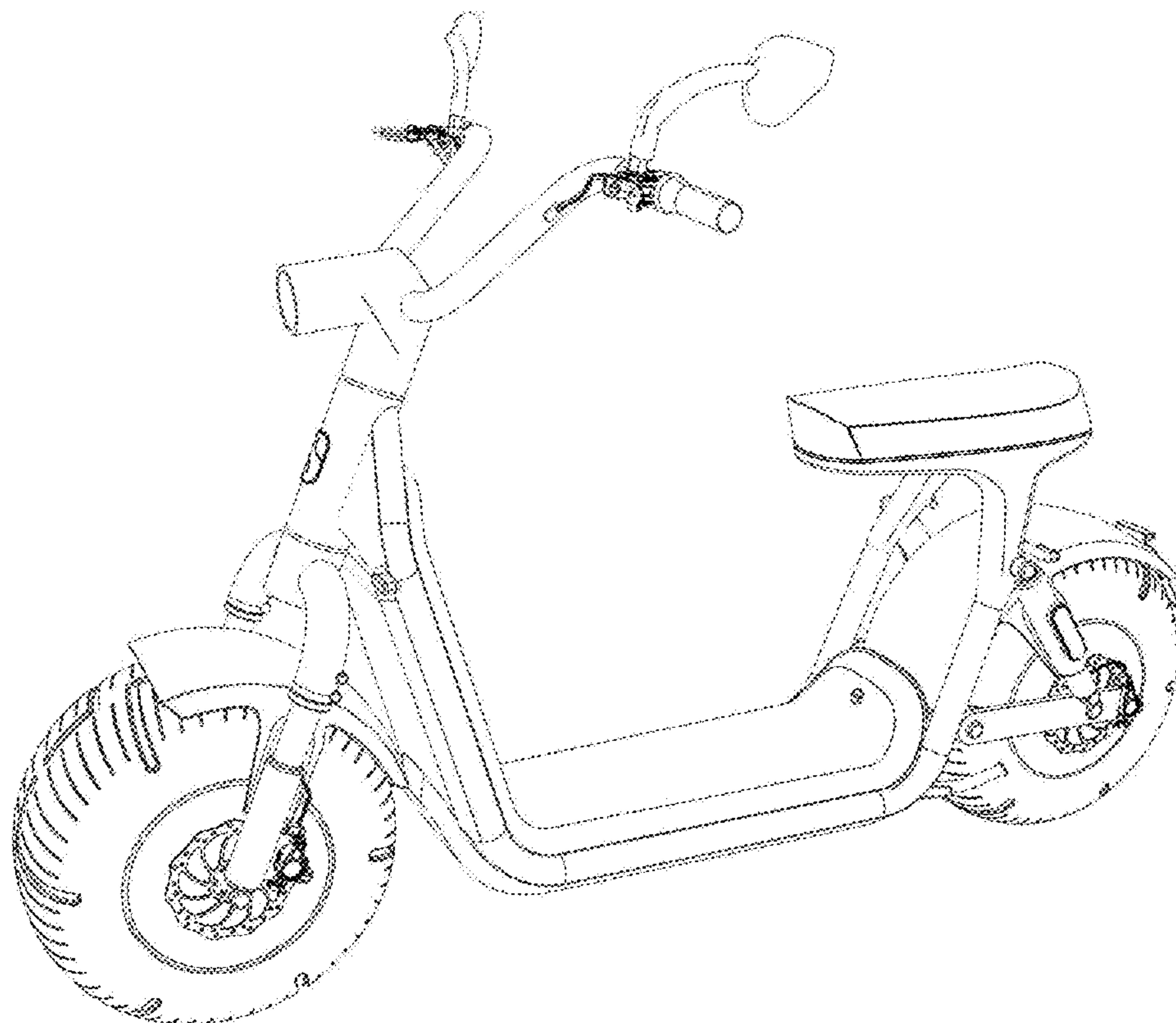
CPC ... B62K 3/00; B62K 3/02; B62K 3/04; B62K 3/06; B62K 3/08; B62K 3/10; B62K 9/00; B62K 11/00; B62K 11/007; B62K

DESCRIPTION

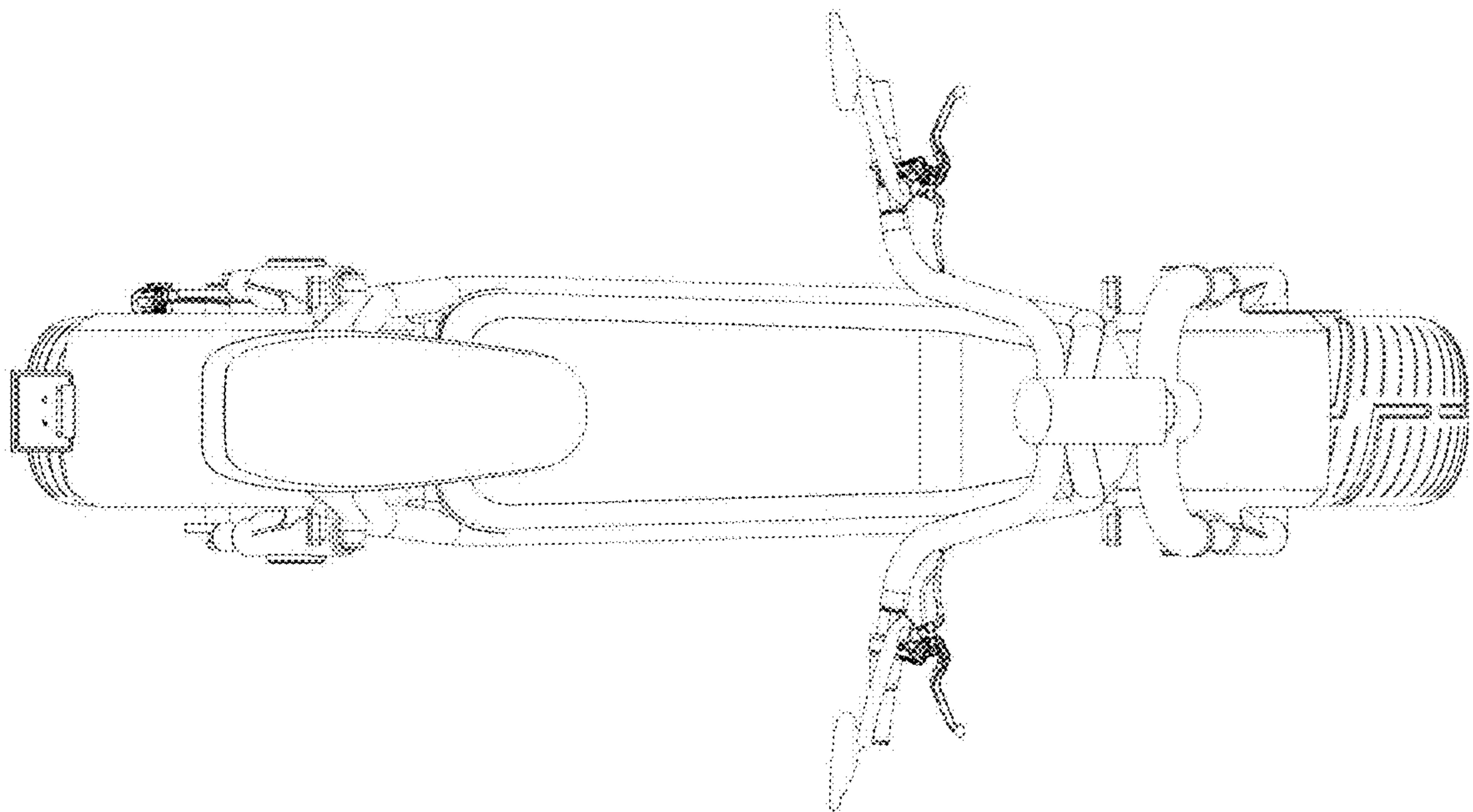
1. Scooter

Reproduction 1.1 is a top view of the subject design; Reproduction 1.2 is a right view of the subject design; Reproduction 1.3 is a front view of the subject design; Reproduction 1.4 is back view of the subject design; Reproduction 1.5 is a perspective view of the subject design; Reproduction 1.6 is another perspective view of the subject design.

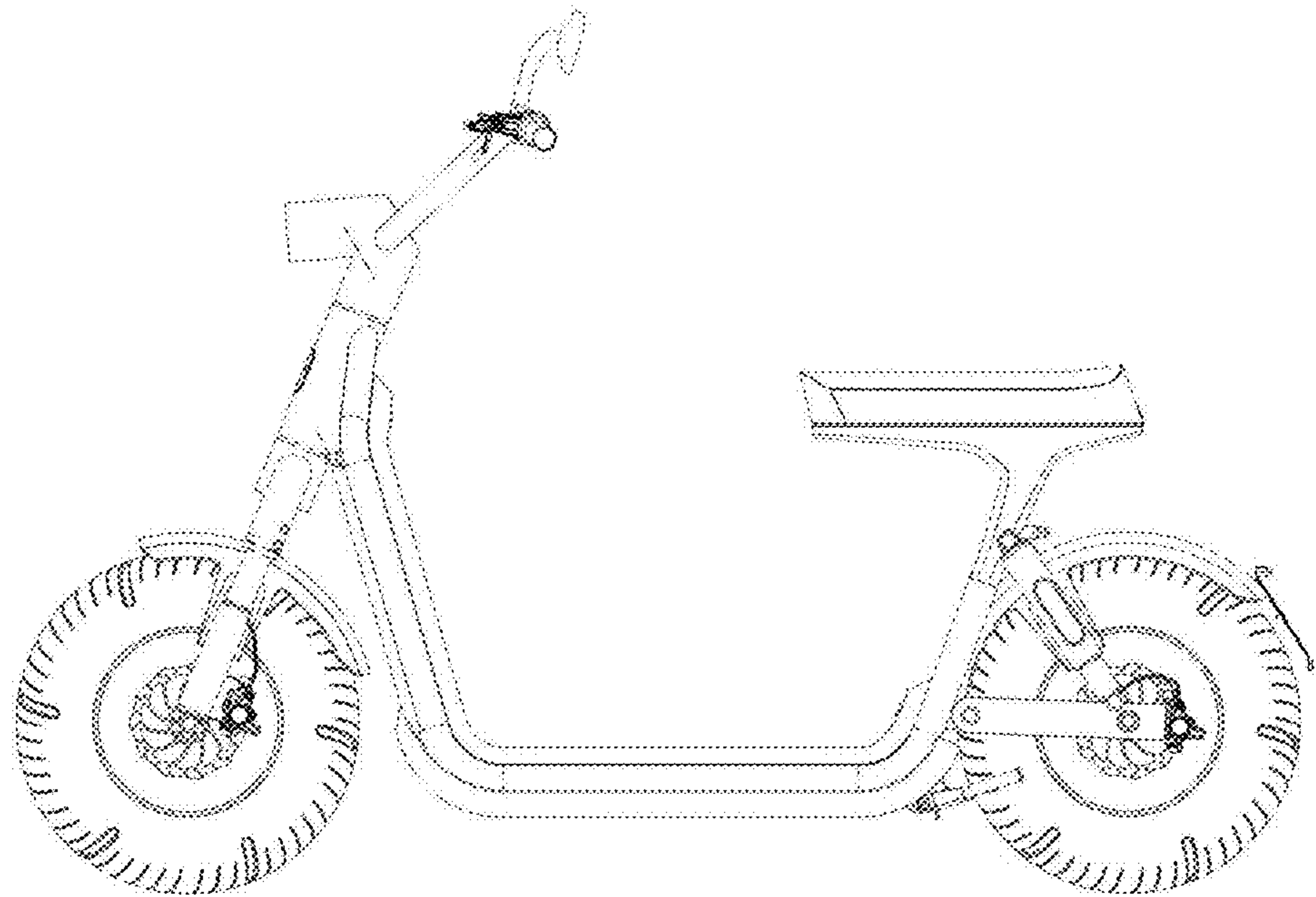
1 Claim, 6 Drawing Sheets



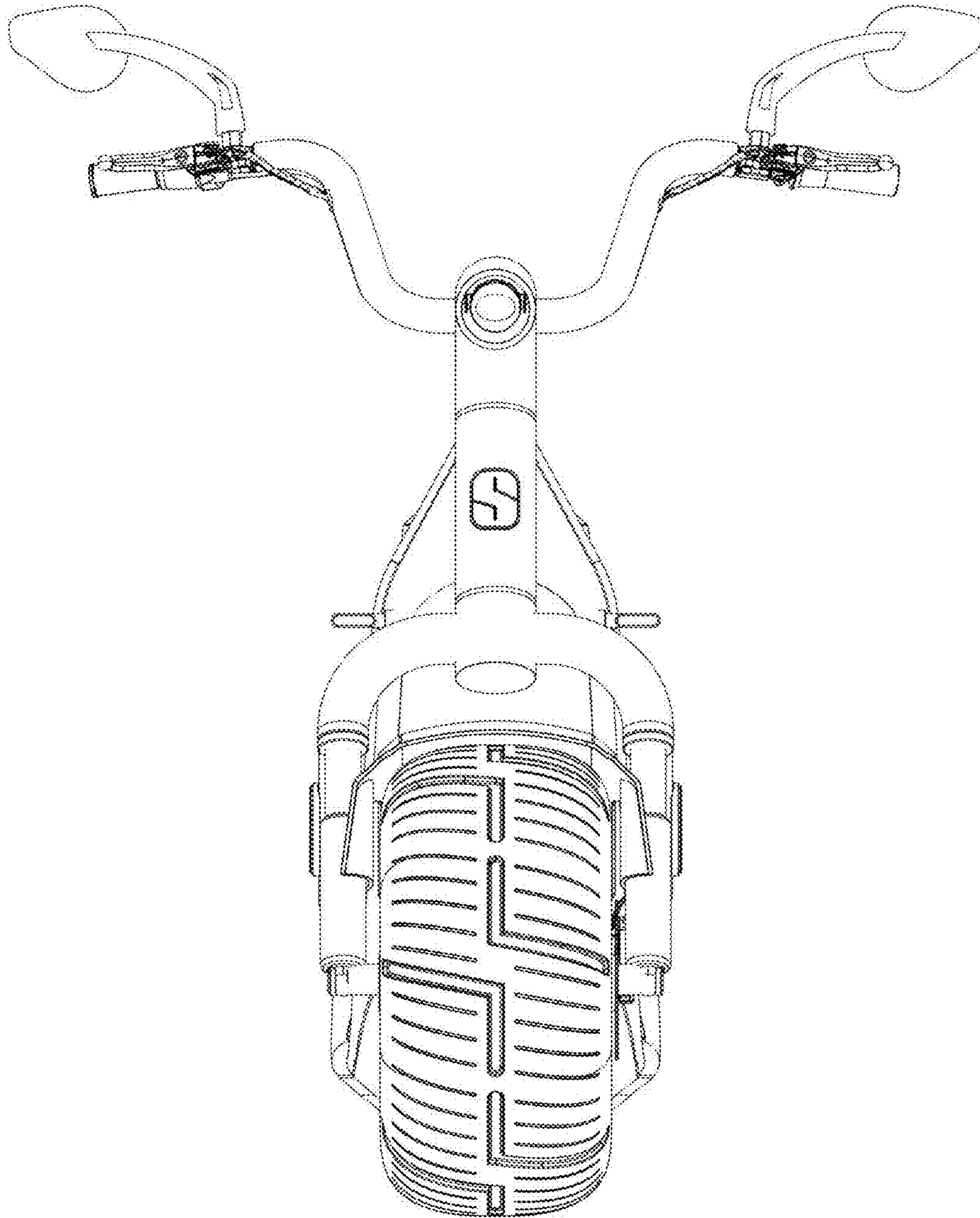
1.1



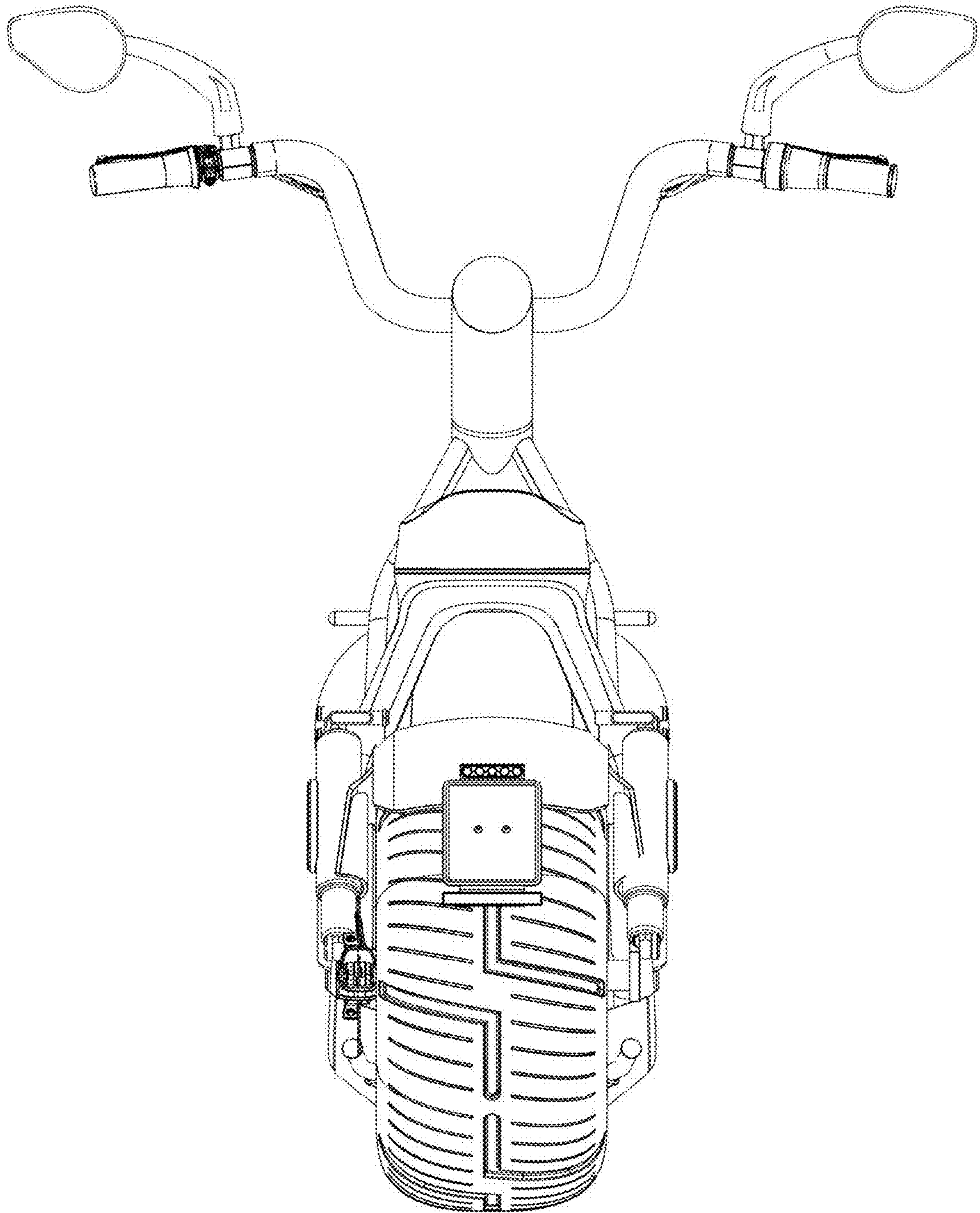
1.2



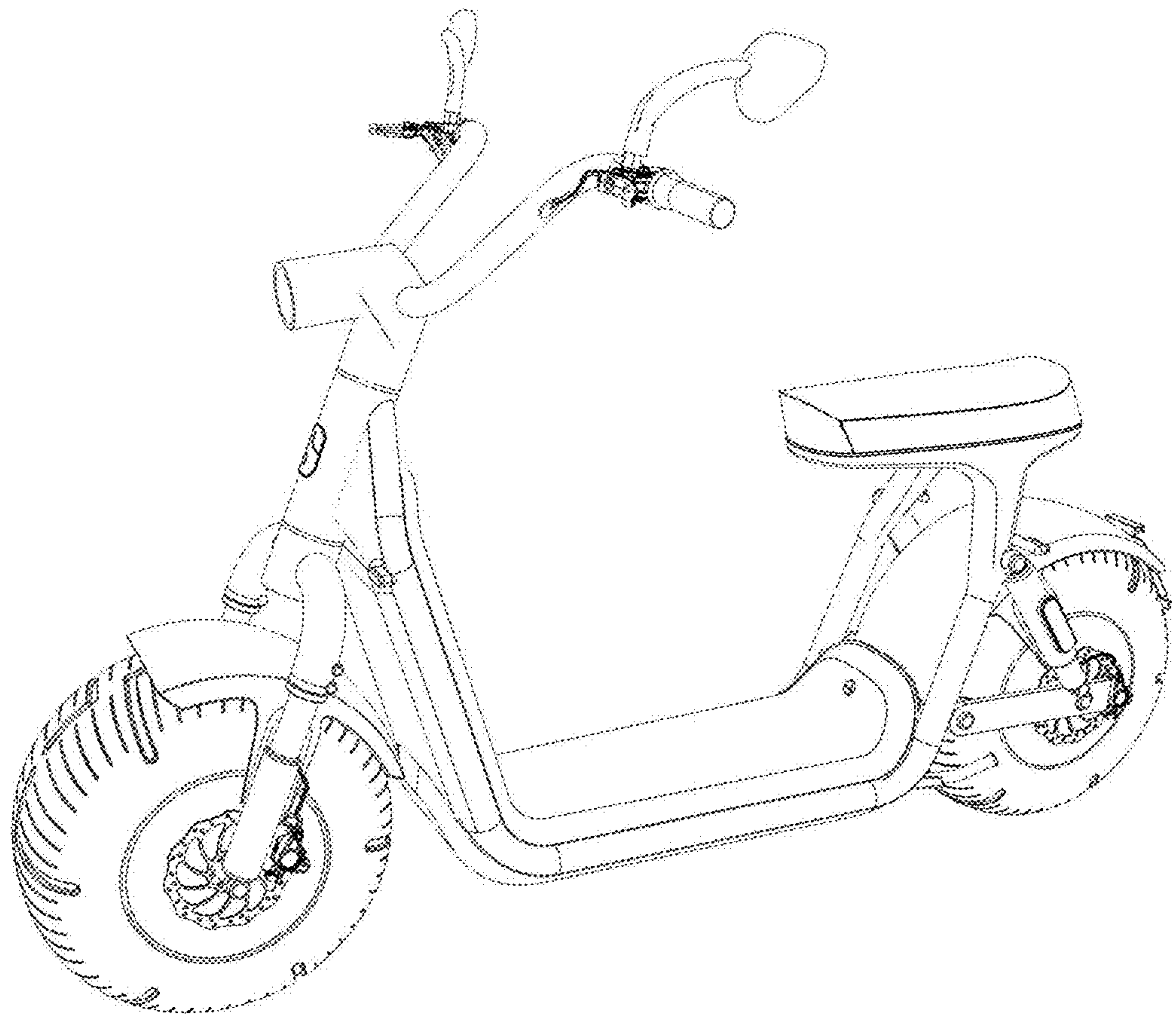
1.3



1.4



1.5



1.6

