



US00D909255S

(12) **United States Design Patent**
Horváth

(10) **Patent No.:** **US D909,255 S**

(45) **Date of Patent:** **** Feb. 2, 2021**

- (54) **FENDER FOR TRAILER**
- (71) Applicant: **LUX Gépjárműalkatrészeket Gyártó Kft., Kecskemét (HU)**
- (72) Inventor: **Zoltán Horváth, Budapest (HU)**
- (73) Assignee: **LUX GÉPJÁRMŰALKATRÉSZEKET GYÁRTÓ KFT., Kecskemét (HU)**

D779,381 S *	2/2017	King	D12/106
D779,382 S *	2/2017	King	D12/106
D844,426 S *	4/2019	Mueller	D8/403
D860,058 S *	9/2019	Norfleet	D12/106
D872,654 S *	1/2020	Gelman	D12/106
D873,743 S *	1/2020	McGinley	D12/186
D889,320 S *	7/2020	Miller	D12/106
D894,048 S *	8/2020	Smith	D12/106
2008/0149649 A1 *	6/2008	Knupfer	B62B 5/0006 220/694
2014/0225389 A1 *	8/2014	Epling	B60R 19/03 293/120

(**) Term: **15 Years**

* cited by examiner

(21) Appl. No.: **35/507,894**

Primary Examiner — Darlington Ly

(22) Filed: **May 31, 2019**

(80) **Hague Agreement Data**

Int. Filing Date: **May 31, 2019**
 Int. Reg. No.: **DM/204135**
 Int. Reg. Date: **May 31, 2019**
 Int. Reg. Pub. Date: **Nov. 29, 2019**

(57) **CLAIM**

The ornamental design for a fender for trailer, as shown and described.

(51) **LOC (13) Cl.** **12-16**

DESCRIPTION

(52) **U.S. Cl.**
USPC **D12/106**

(58) **Field of Classification Search**
 USPC D12/19, 100–106, 111–112, 129, 162;
 D21/425, 435; D34/21–26, 12, 16–19
 CPC . B62D 35/02; B62D 35/00; B60P 3/10; B60P
 3/1033; A62B 3/005
 See application file for complete search history.

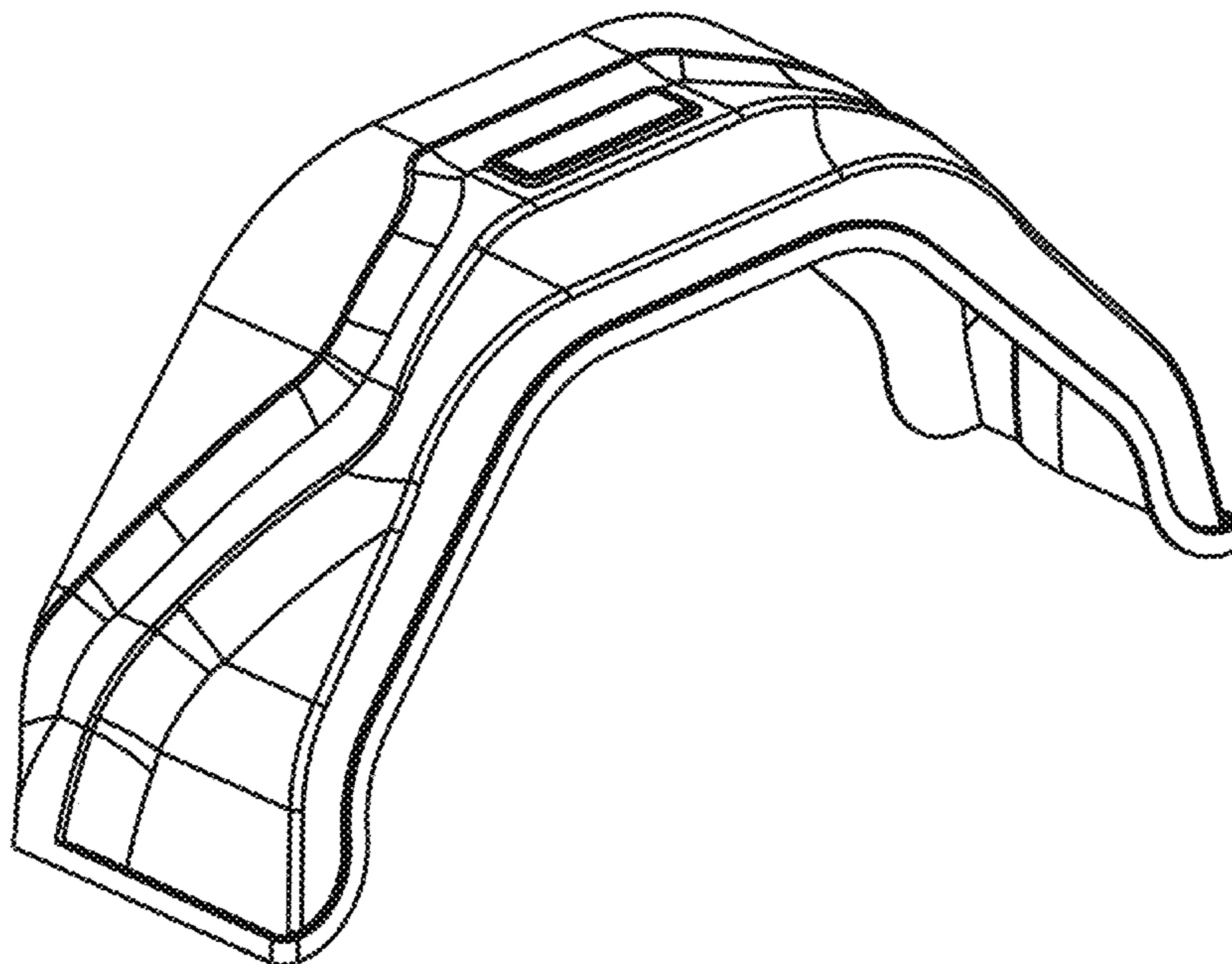
- 1. Fender for trailer
- 1.1 is a rear elevation view of a fender for trailer embodying my new design;
- 1.2 is a left side elevation view thereof;
- 1.3 is a front and left side perspective view thereof;
- 1.4 is a front and right side perspective view thereof;
- 1.5 is a right side elevation view thereof;
- 1.6 is a top plan view thereof;
- 1.7 is a bottom plan view thereof; and
- 1.8 is a front elevation view thereof.

(56) **References Cited**

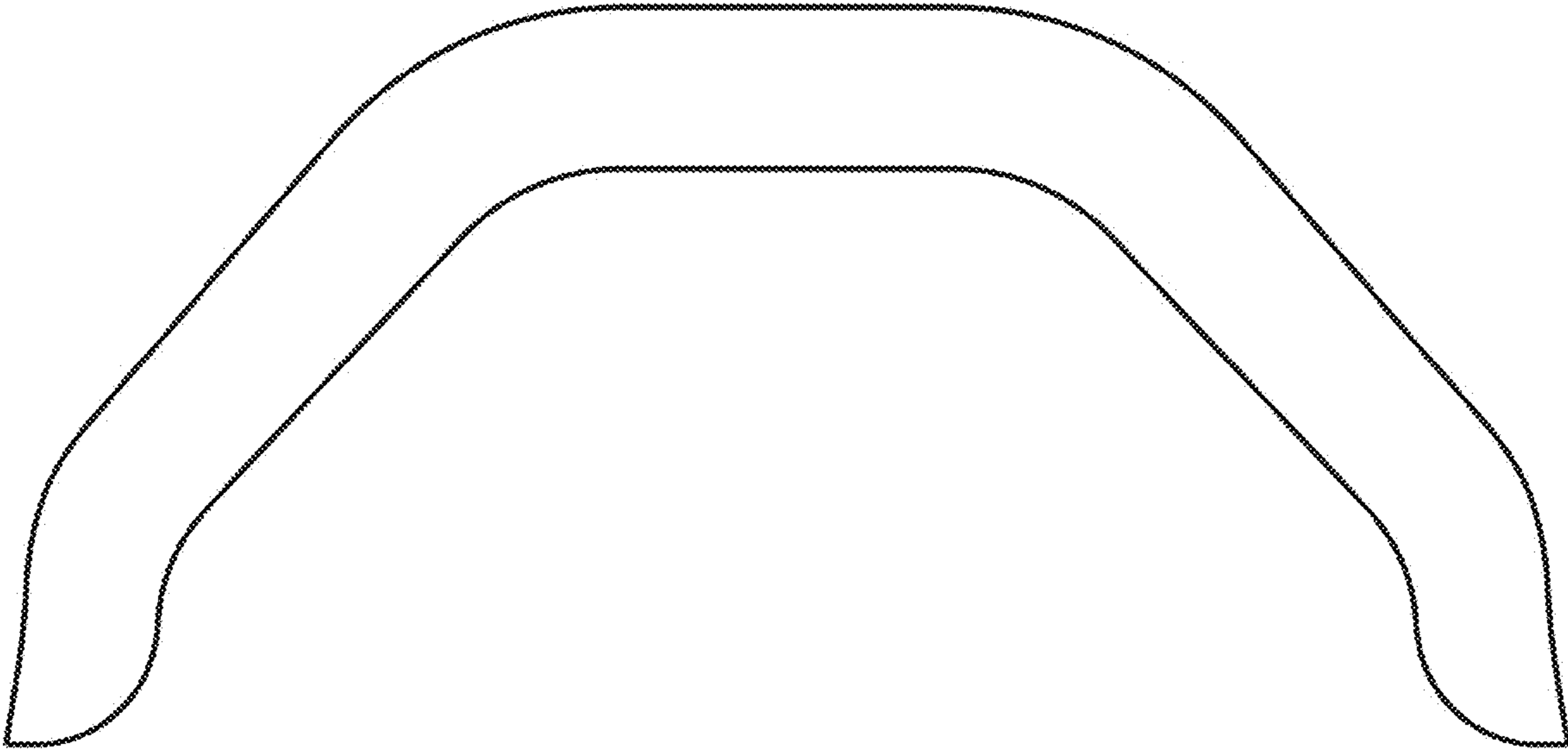
U.S. PATENT DOCUMENTS

- 4,516,902 A * 5/1985 Matson B60P 1/433
414/480
- D663,655 S * 7/2012 Alger D12/106

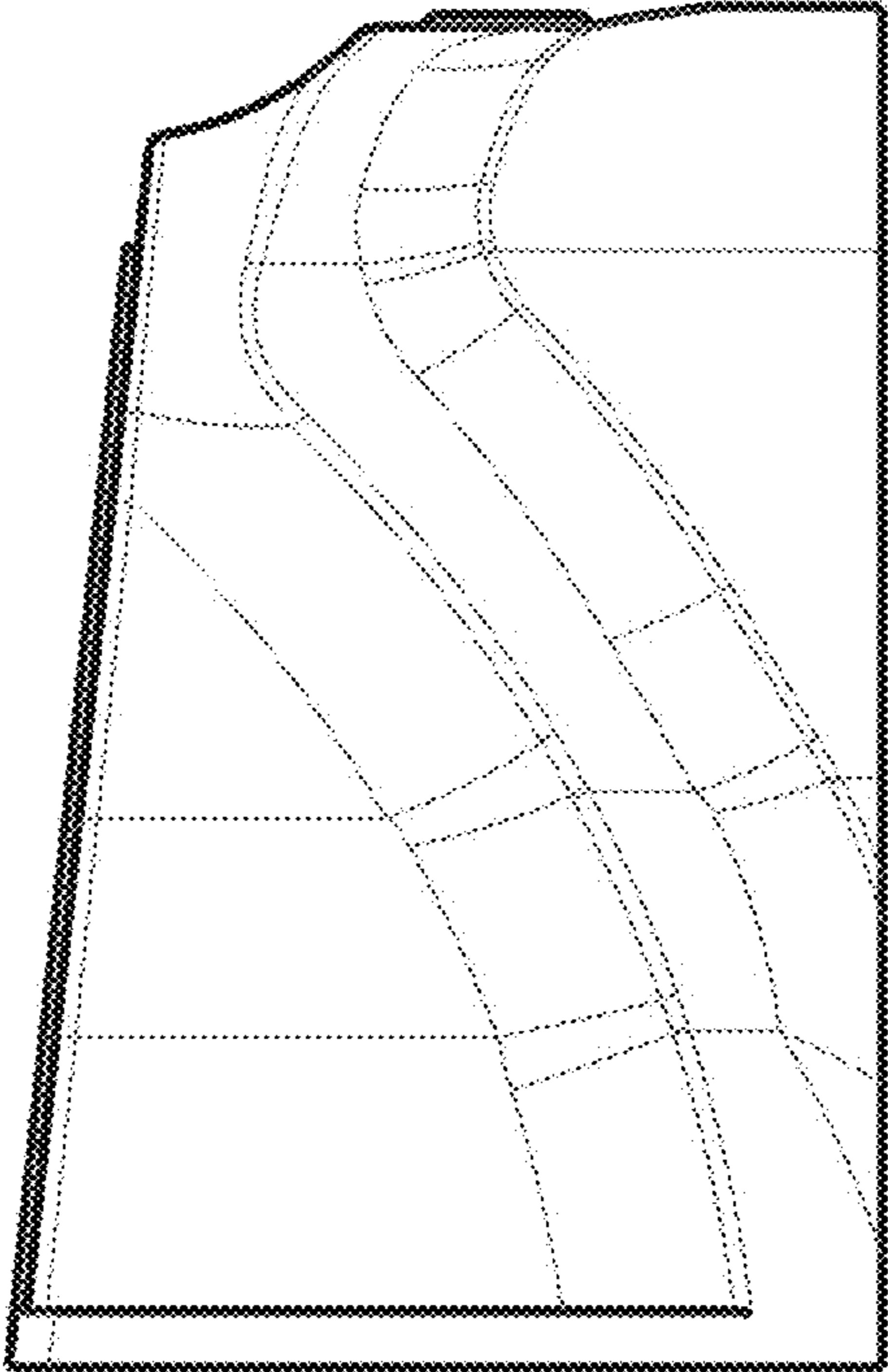
1 Claim, 8 Drawing Sheets



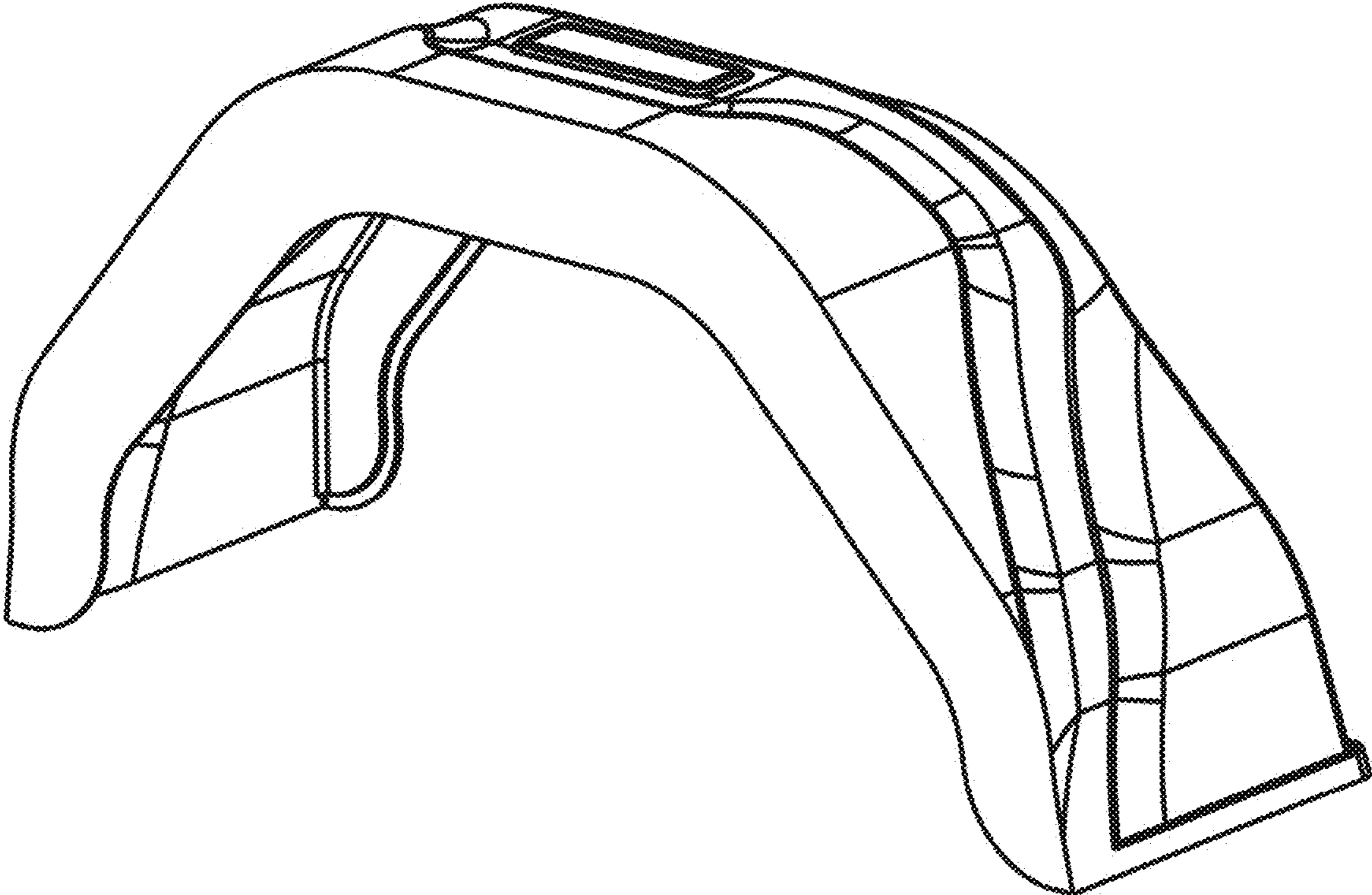
1.1



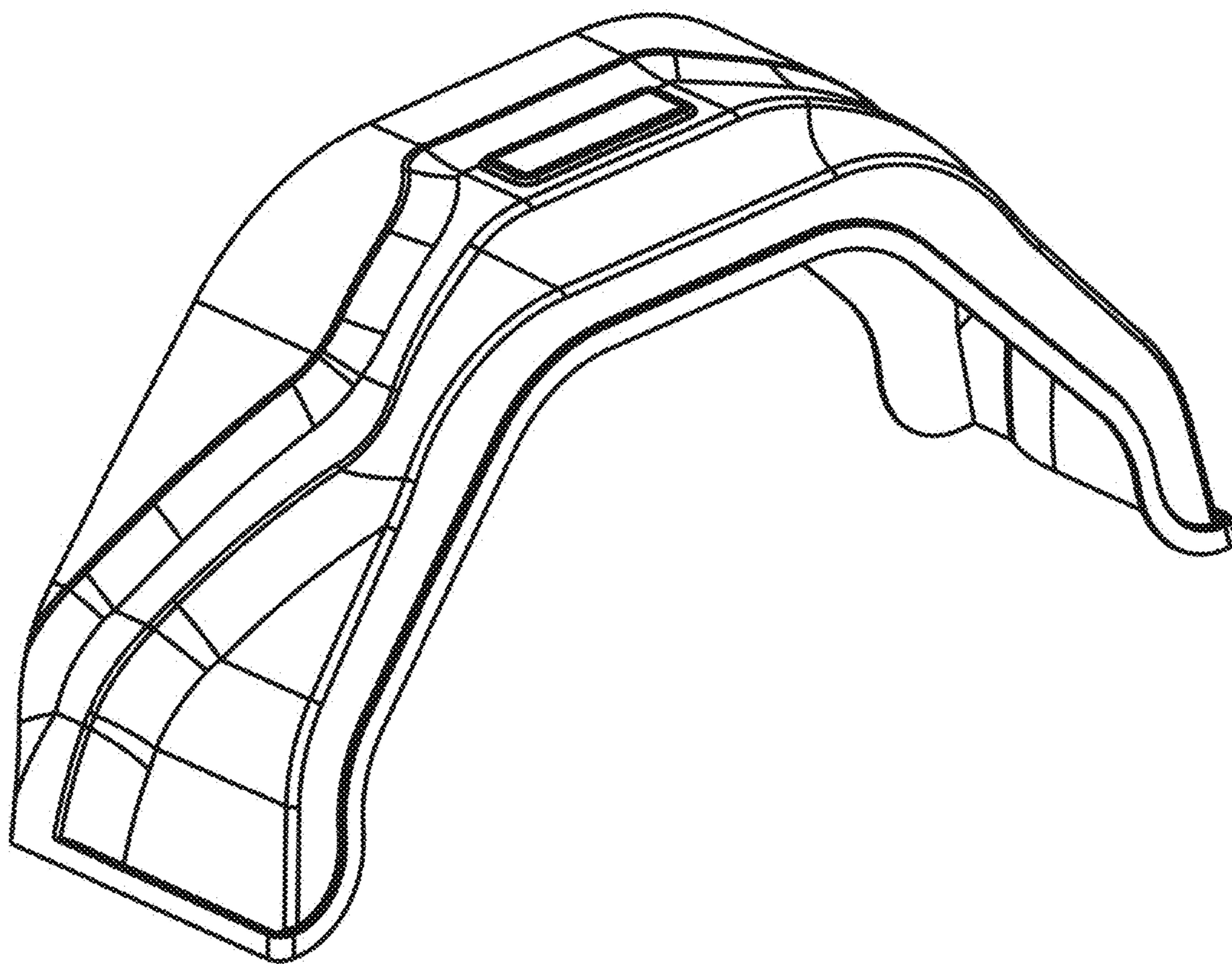
1.2



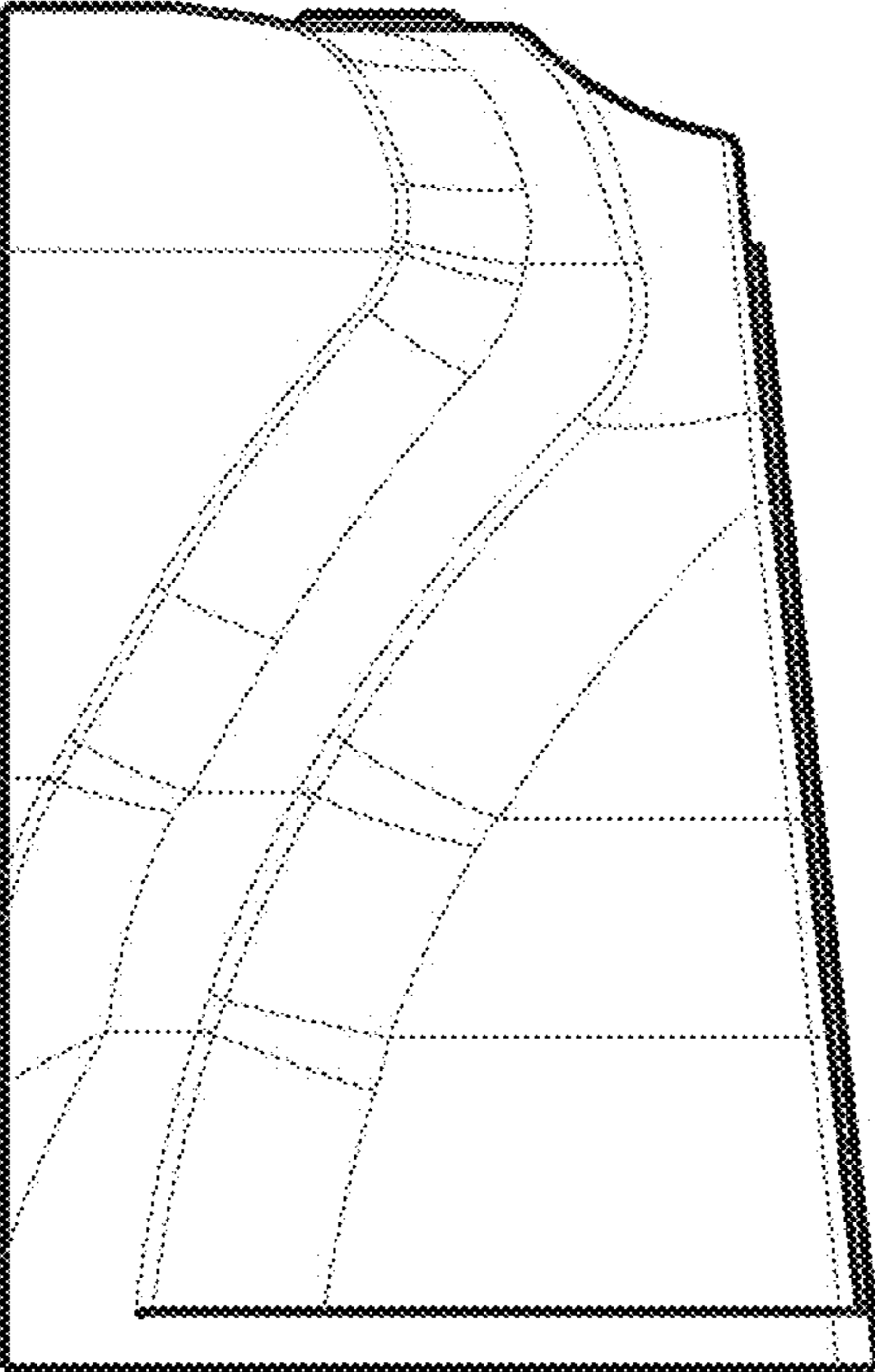
1.3



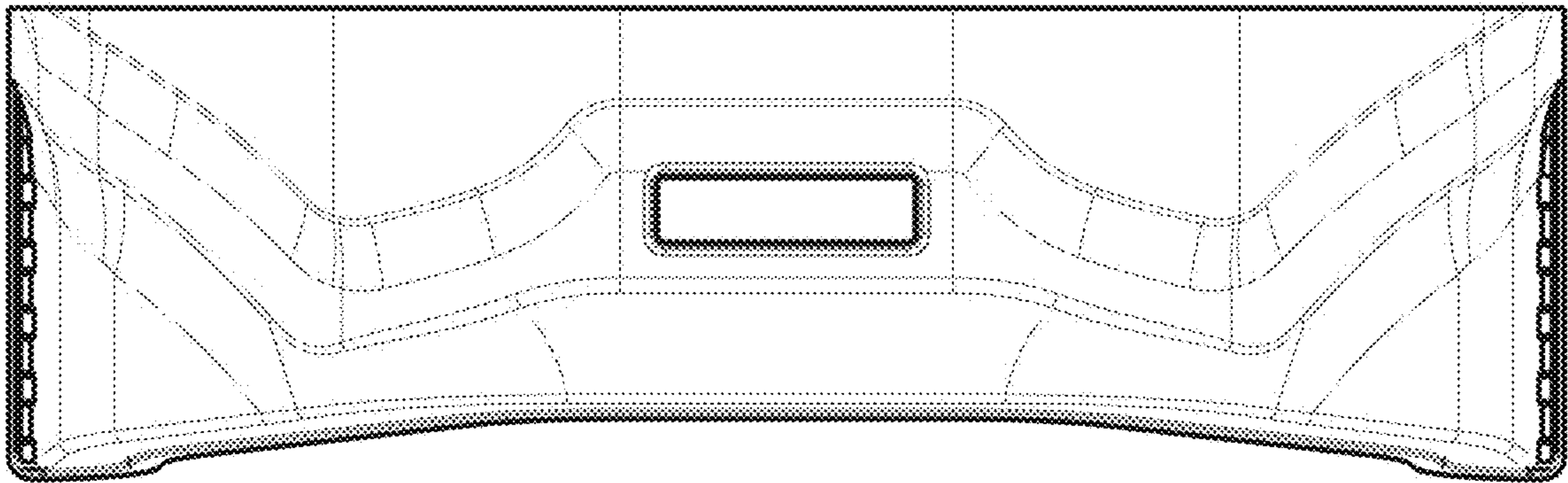
1.4



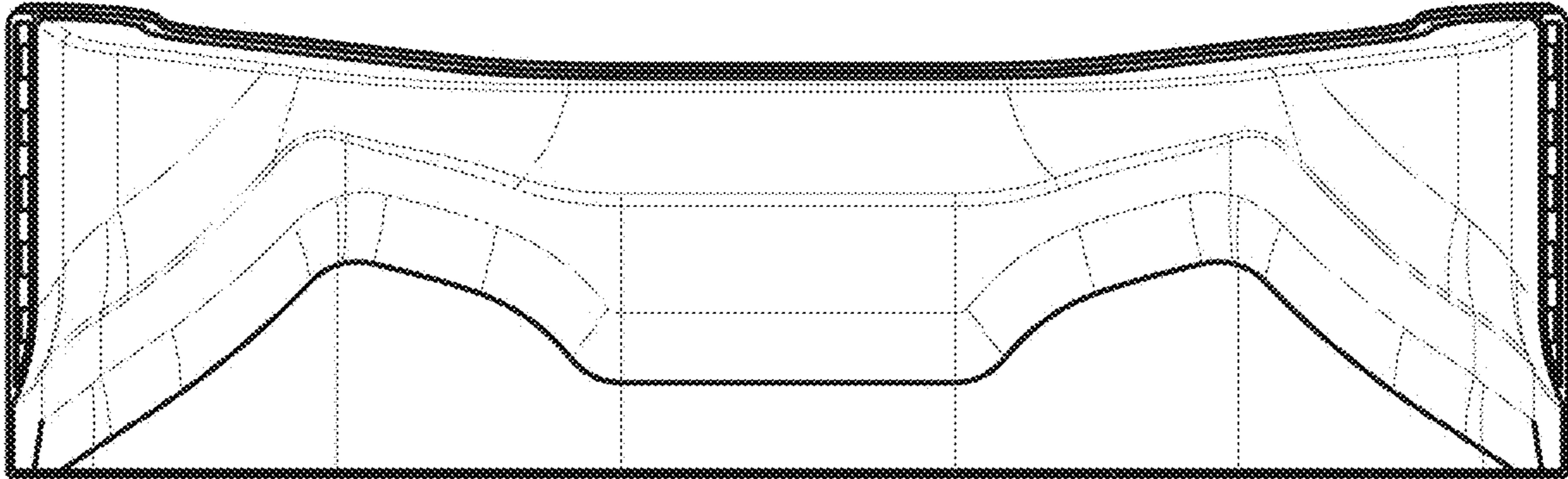
1.5



1.6



1.7



1.8

