



US00D909254S

(12) **United States Design Patent** (10) **Patent No.:** **US D909,254 S**
Cook et al. (45) **Date of Patent:** **** Feb. 2, 2021**

(54) **BONNET FOR A TANKER**
(71) Applicants: **Glenn Cook**, Sarnia (CA); **Manon Dupuis**, Sarnia (CA)
(72) Inventors: **Glenn Cook**, Sarnia (CA); **Manon Dupuis**, Sarnia (CA)
(**) Term: **15 Years**
(21) Appl. No.: **29/672,238**
(22) Filed: **Dec. 4, 2018**
(51) **LOC (13) Cl.** **12-08**
(52) **U.S. Cl.**
USPC **D12/95**
(58) **Field of Classification Search**
USPC D12/93-97, 100, 101, 102, 103, 106,
D12/162, 190, 218, 400; D23/244, 233,
D23/249, 235; D25/36; D15/31;
D8/331
CPC B65D 90/10
See application file for complete search history.

D660,455 S * 5/2012 Belue D25/36
D666,306 S * 8/2012 Belue D25/36
D668,582 S * 10/2012 Doron D12/102
8,684,061 B2 4/2014 Porter, IV
D729,904 S * 5/2015 Lu D23/233
9,334,108 B2 5/2016 David et al.
D800,875 S * 10/2017 Sykes D23/249
9,802,740 B2 10/2017 Schunk
9,908,536 B2 3/2018 Sandheinrich et al.
D820,393 S * 6/2018 Tickle D23/233
2002/0100225 A1* 8/2002 Sisk B65D 90/10
52/20
2005/0244226 A1* 11/2005 Lacroix B65D 90/10
404/25
2012/0261002 A1* 10/2012 Sampson E03B 9/04
137/296

(Continued)

Primary Examiner — Michelle E. Wilson
Assistant Examiner — Clese Moore, Jr.
(74) *Attorney, Agent, or Firm* — Cramer Patent & Design, PLLC; Aaron R. Cramer

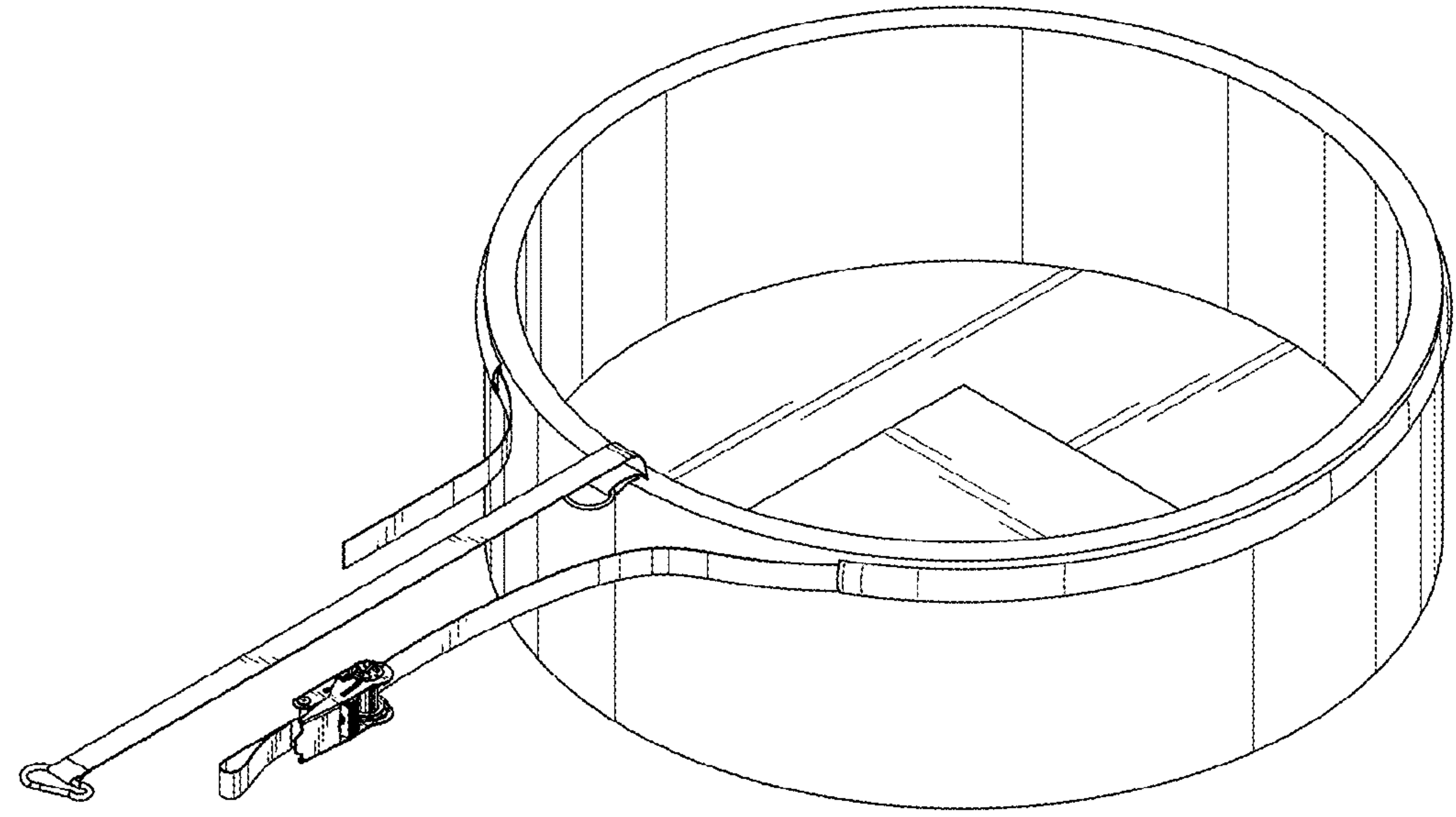
(57) **CLAIM**
The ornamental design for a bonnet for a tanker, as shown and described.

(56) **References Cited**
U.S. PATENT DOCUMENTS
3,441,166 A * 4/1969 Frees F16J 13/02
220/324
D248,170 S * 6/1978 Steigerwald D23/245
D261,858 S * 11/1981 Lassiter D8/331
D279,351 S * 6/1985 Lassiter D8/331
D281,220 S * 11/1985 Lassiter D8/331
D319,883 S * 9/1991 Pettesch D25/36
D357,976 S * 5/1995 Allen D23/249
5,715,965 A 2/1998 Goulding
D460,420 S * 7/2002 Whipple D13/137.4
D489,797 S * 5/2004 Hall D23/244
D530,724 S * 10/2006 Chu D15/9
D546,924 S * 7/2007 Gagas D23/244
D577,106 S * 9/2008 Gagas D23/248
7,677,193 B2 3/2010 Roark et al.
D622,207 S * 8/2010 Pelini D12/400

DESCRIPTION

FIG. 1 is a perspective top rear right view of a bonnet for a tanker, showing our new design;
FIG. 2 is a perspective top front right view of a bonnet for a tanker;
FIG. 3 is a front elevation view thereof;
FIG. 4 is a rear elevation view thereof;
FIG. 5 is a left side elevation view;
FIG. 6 is a right side elevation view thereof;
FIG. 7 is a top plan view thereof;
FIG. 8 is a bottom plan view thereof; and,
FIG. 9 is a cross-sectional view thereof, taken along line 9-9 in FIG. 7.

1 Claim, 7 Drawing Sheets



(56)

References Cited

U.S. PATENT DOCUMENTS

2014/0265436 A1* 9/2014 Maiorana B62D 35/001
296/180.4
2015/0190853 A1* 7/2015 Ligiero Vargas Junior
B08B 9/0933
134/18

* cited by examiner

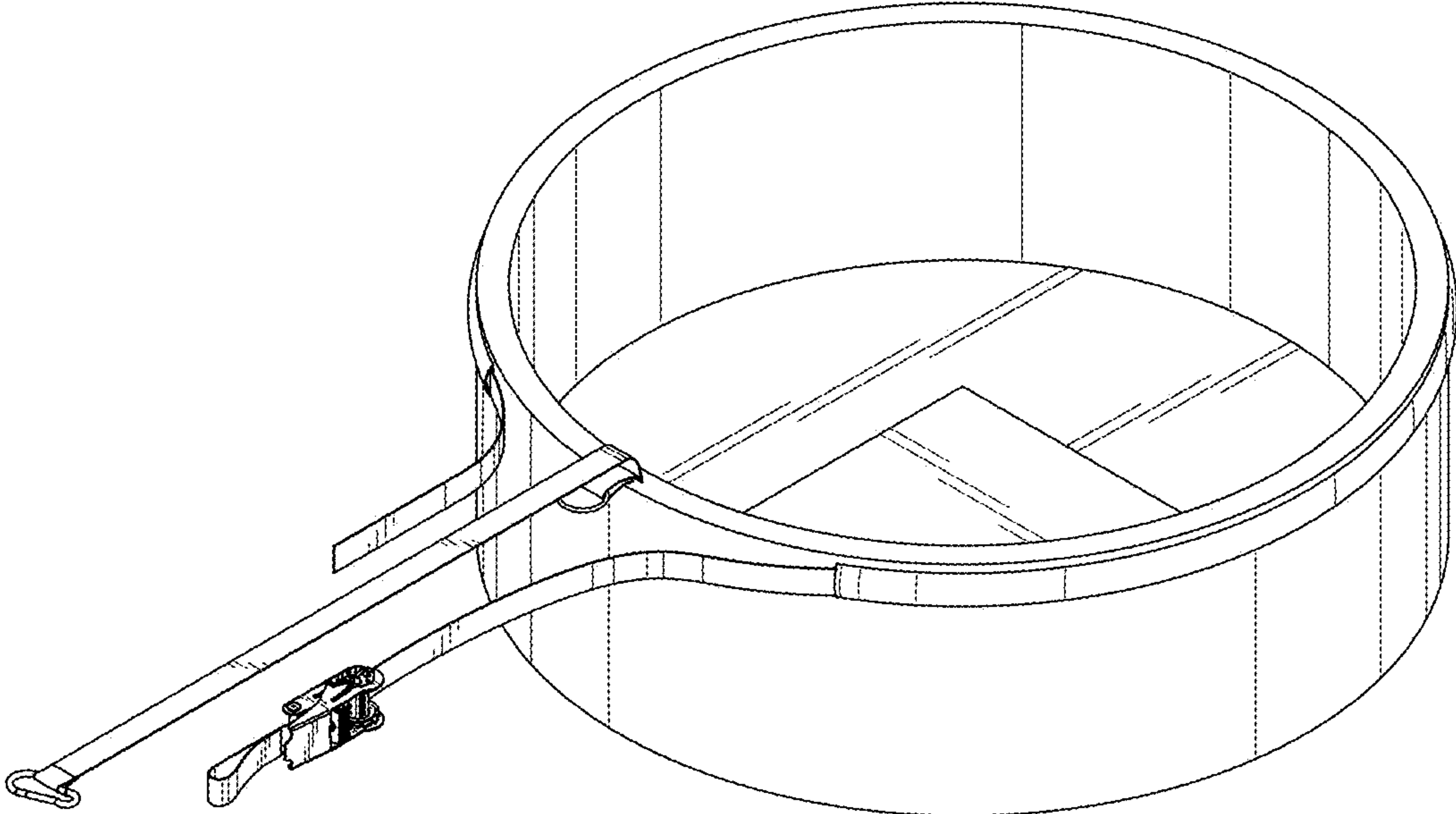


FIG. 1

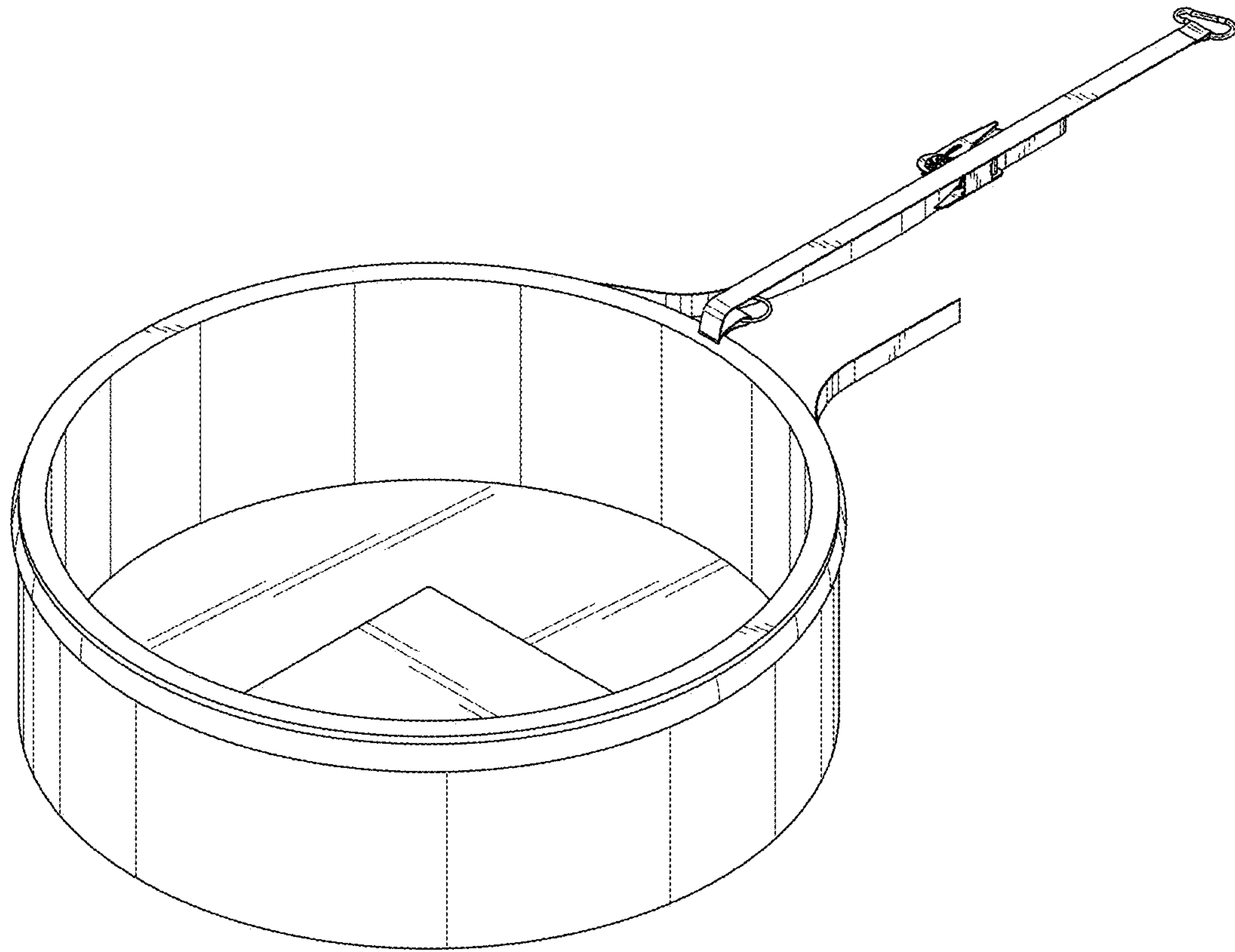


FIG. 2

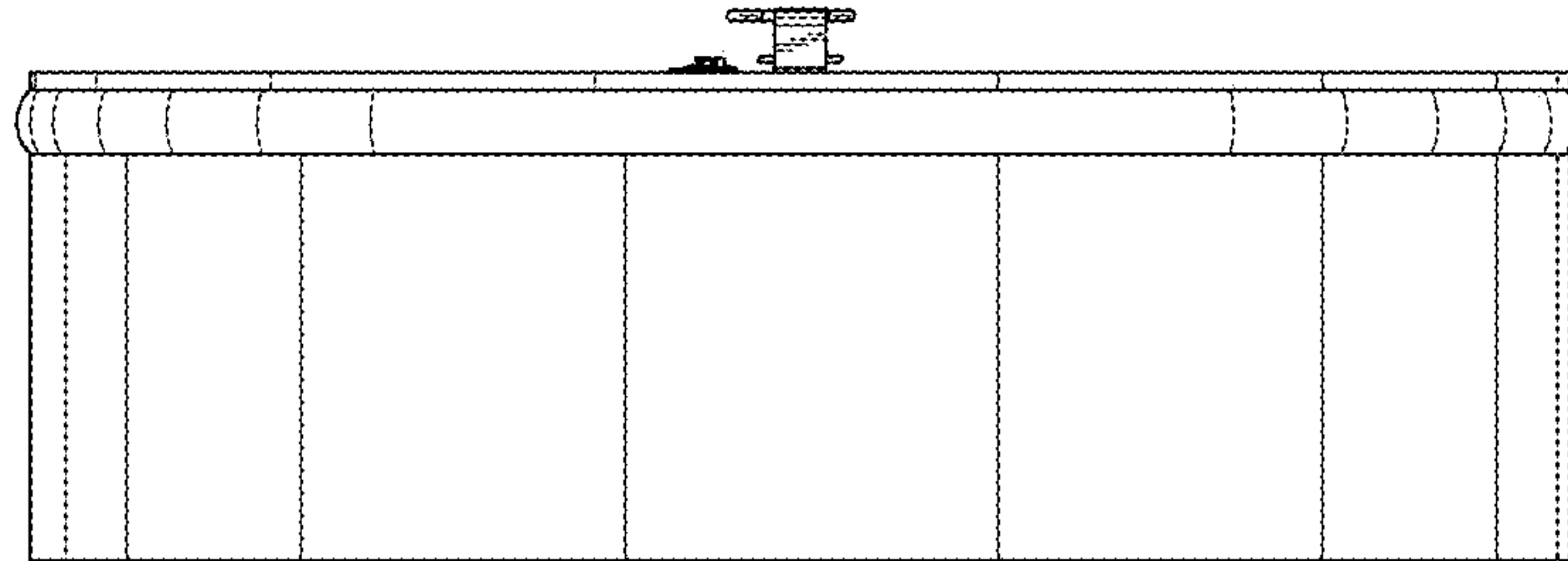


FIG. 3

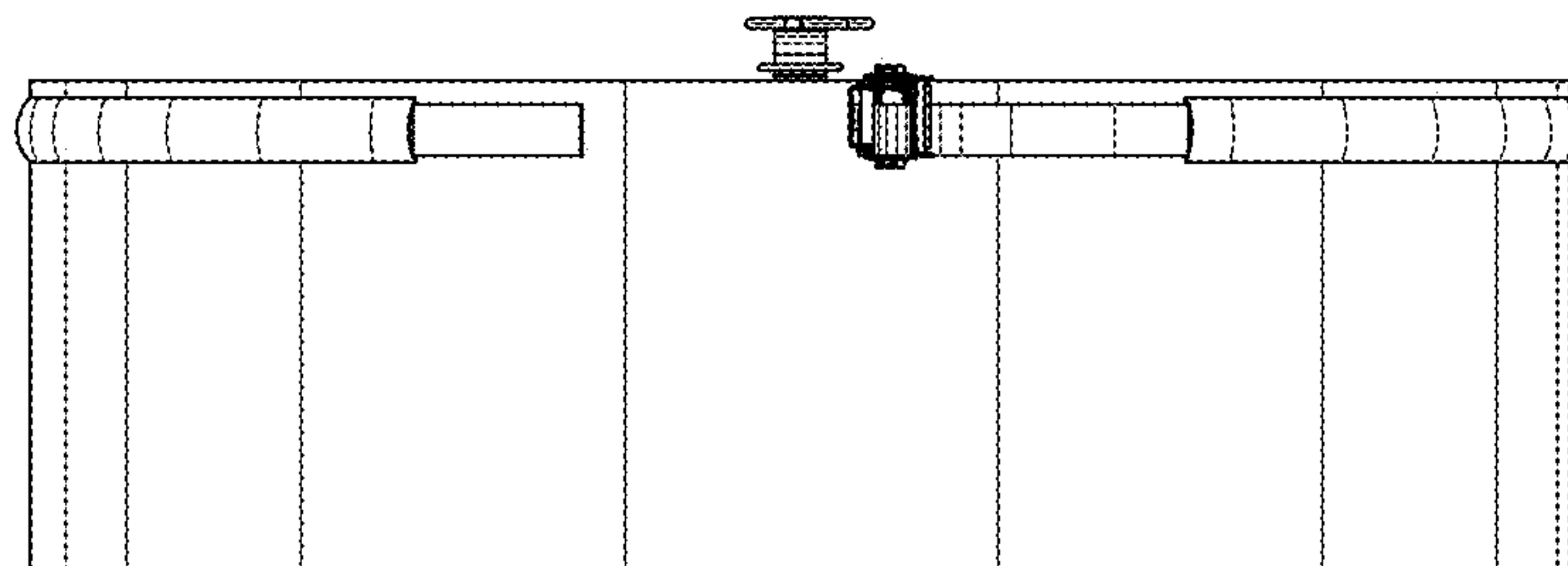


FIG. 4

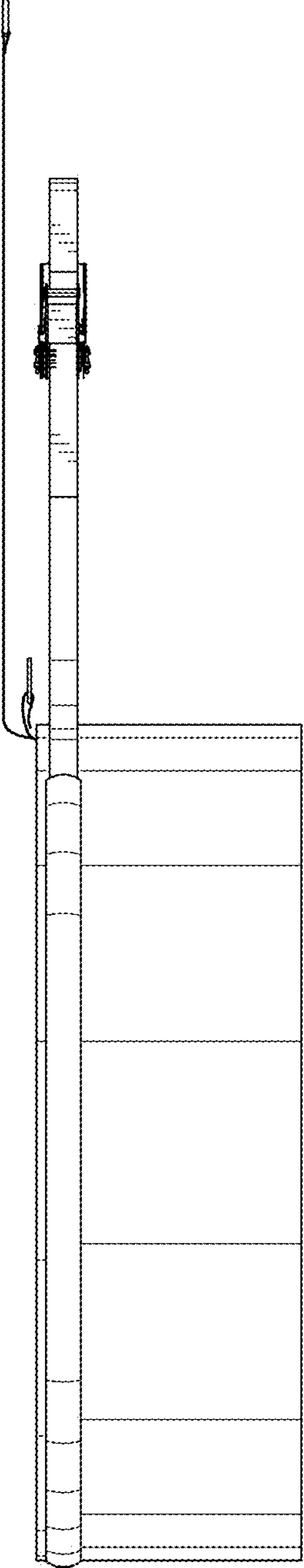


FIG. 5

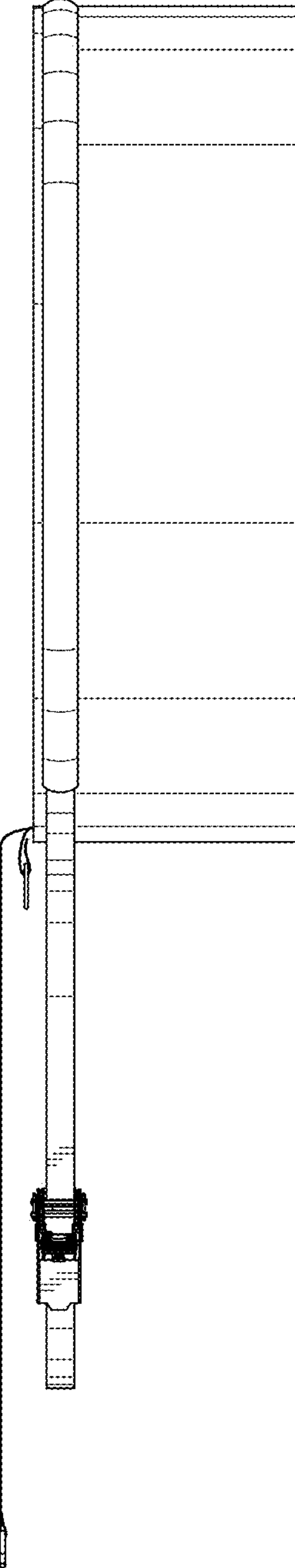


FIG. 6

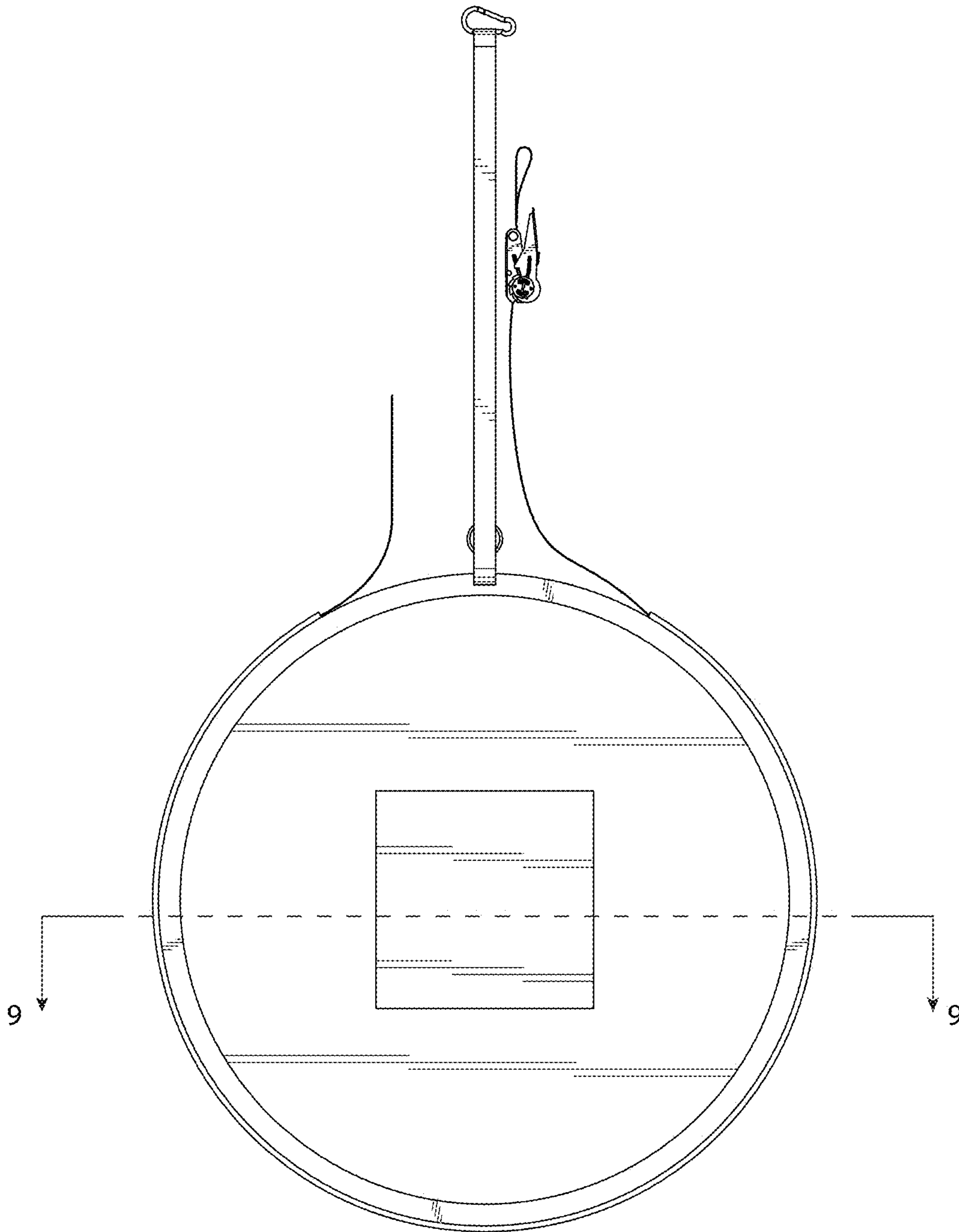


FIG. 7

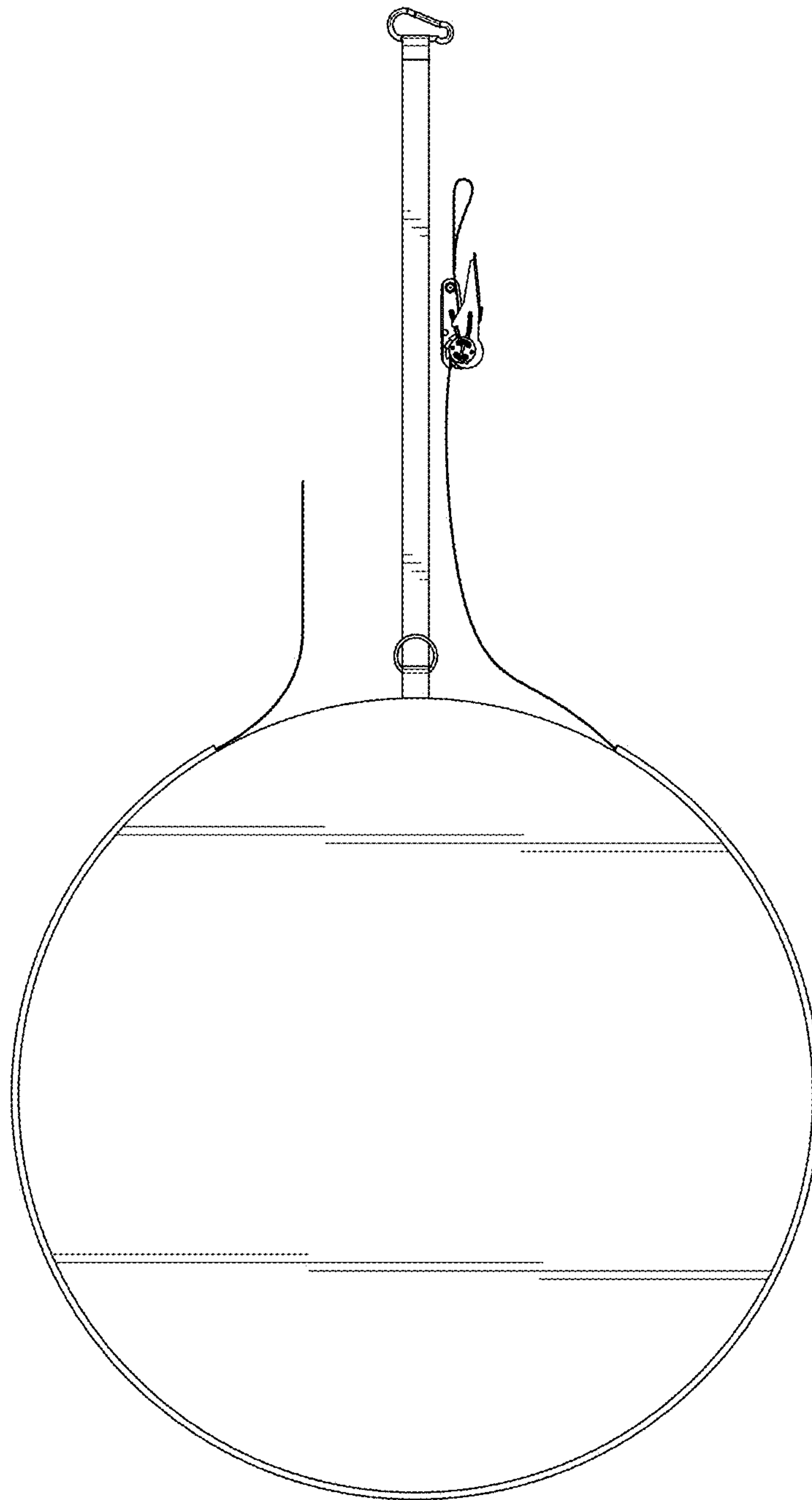


FIG. 8

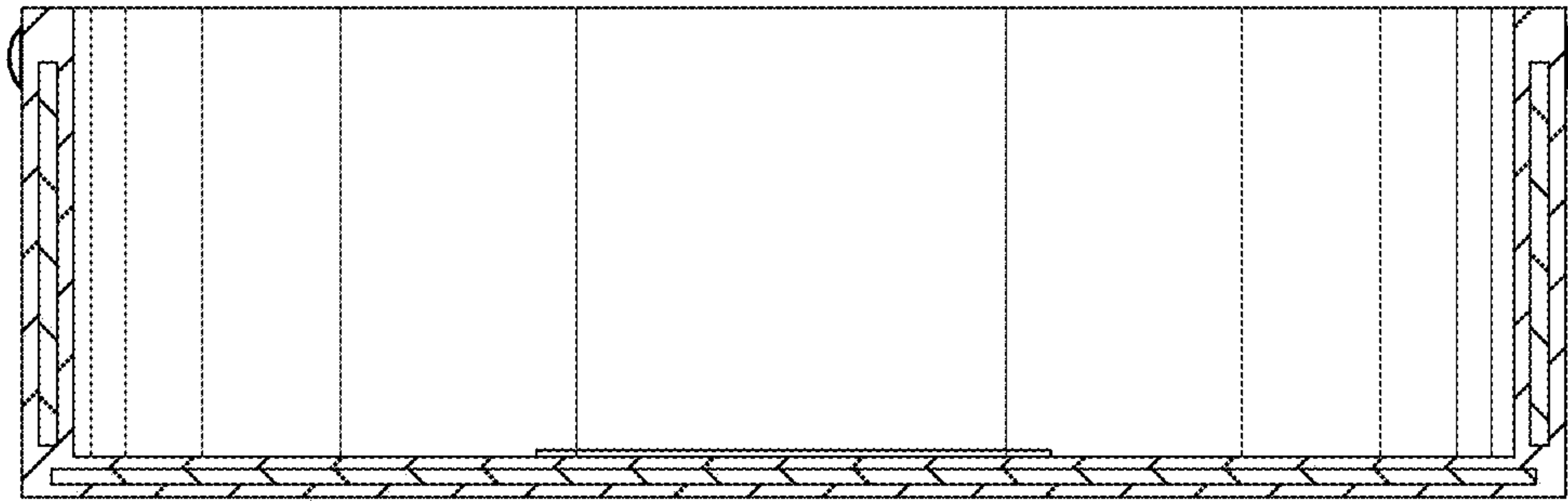


FIG. 9