



US00D909247S

(12) **United States Design Patent** (10) **Patent No.:** **US D909,247 S**  
**Tonello et al.** (45) **Date of Patent:** **\*\* Feb. 2, 2021**

(54) **MOTOR VEHICLE EXTERIOR**  
(71) Applicant: **Ford Global Technologies, LLC**,  
Dearborn, MI (US)  
(72) Inventors: **Domenico Tonello**, Cologne (DE);  
**Jordan Demkiw**, Cologne (DE); **Joel**  
**Piaskowski**, Dusseldorf (DE); **Claudio**  
**Messale**, Cologne (DE); **George**  
**Saridakis**, Edinburgh (GB)  
(73) Assignee: **Ford Global Technologies, LLC**,  
Dearborn, MI (US)

D728,423 S \* 5/2015 Rupar ..... D12/91  
D731,923 S \* 6/2015 Tanaka ..... D12/91  
D736,119 S \* 8/2015 Kaoud ..... D12/91  
D737,176 S \* 8/2015 Kaoud ..... D12/92  
D741,224 S \* 10/2015 Rupar ..... D12/91  
D741,752 S \* 10/2015 Messale ..... D12/91  
D776,007 S \* 1/2017 An ..... D12/91  
D788,643 S \* 6/2017 Bucher ..... D12/91  
D823,166 S \* 7/2018 Gueler ..... D12/91  
D823,167 S \* 7/2018 Gueler ..... D12/91  
D832,142 S \* 10/2018 Gueler ..... D12/91  
D832,143 S \* 10/2018 Gueler ..... D12/91  
D867,930 S \* 11/2019 Kwon ..... D12/91  
D869,339 S \* 12/2019 Betancourt ..... D12/92  
D881,071 S \* 4/2020 Tonello ..... D12/91  
D881,757 S \* 4/2020 Tonello ..... D12/92

(\*\*) Term: **15 Years**

\* cited by examiner

(21) Appl. No.: **29/731,367**

*Primary Examiner* — Melody N Brown

(22) Filed: **Apr. 14, 2020**

**Related U.S. Application Data**

(62) Division of application No. 29/661,863, filed on Aug. 31, 2018, now Pat. No. Des. 881,071.

(51) **LOC (13) Cl.** ..... **12-08**

(52) **U.S. Cl.**  
USPC ..... **D12/91**

(58) **Field of Classification Search**  
USPC ..... D12/86, 90-92; D21/424, 433, 434;  
296/181.1-181.5, 183.1  
CPC ..... B62D 25/00; B62D 25/06; B62D 33/00;  
B62D 35/00  
See application file for complete search history.

(56) **References Cited**

**U.S. PATENT DOCUMENTS**

D686,531 S \* 7/2013 Lamm ..... D12/91  
D686,532 S \* 7/2013 Lamm ..... D12/91

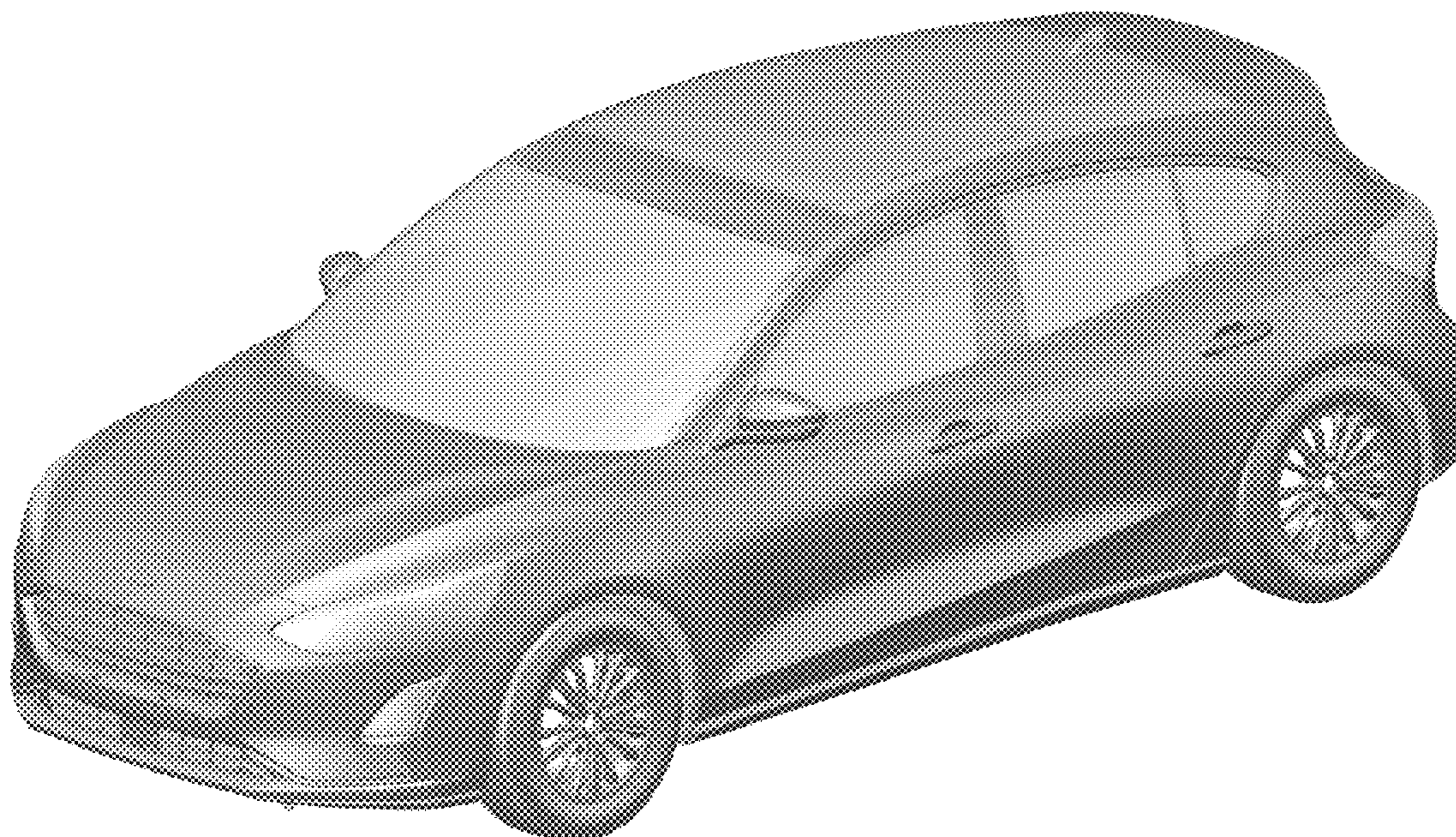
(57) **CLAIM**

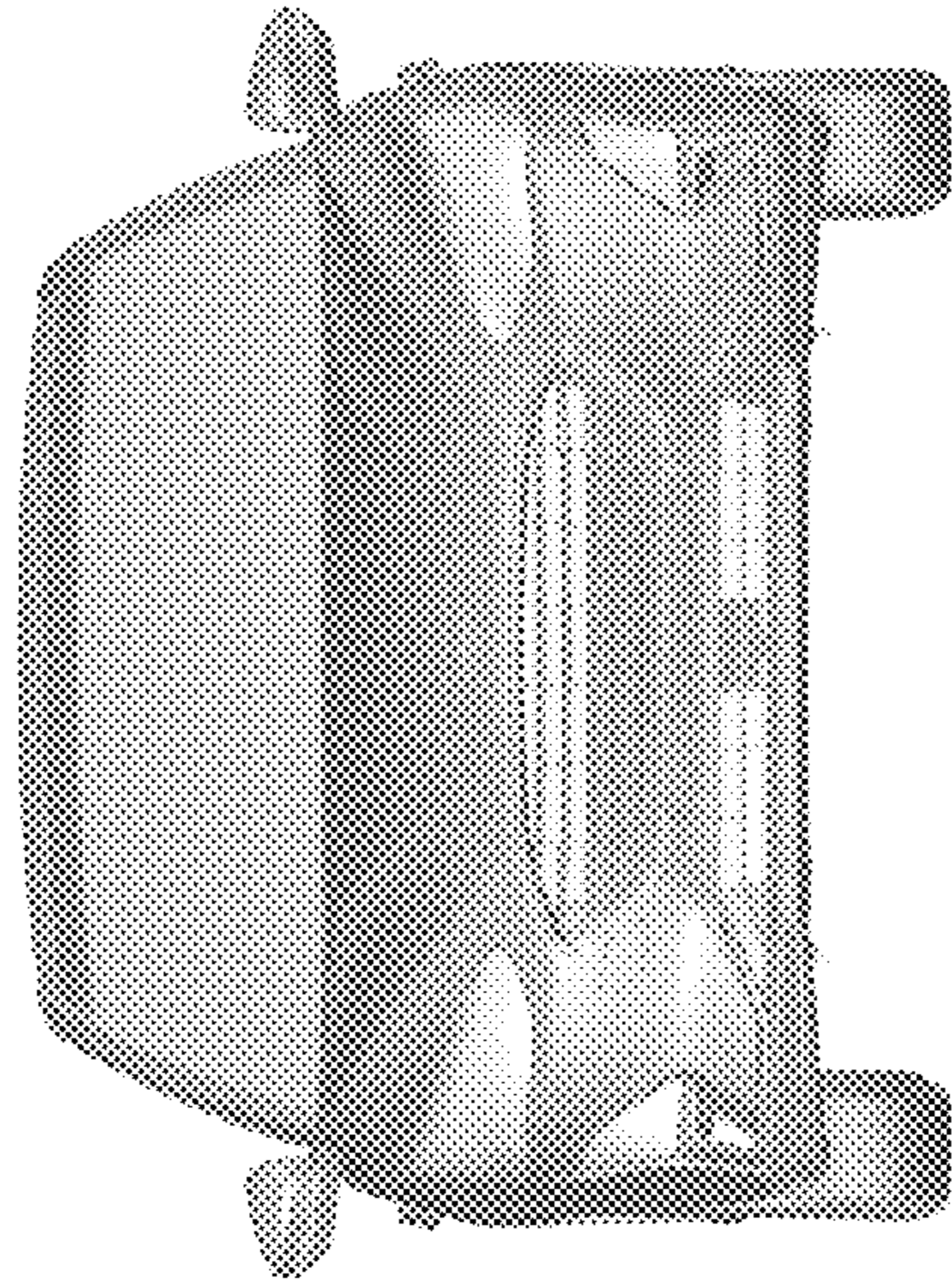
The ornamental design for a motor vehicle exterior, as shown and described.

**DESCRIPTION**

FIG. 1 is a front elevational view of a motor vehicle exterior, showing our new design;  
FIG. 2 is a rear elevational view thereof;  
FIG. 3 is a left side elevational view thereof;  
FIG. 4 is a right side elevational view thereof;  
FIG. 5 is a top plan view thereof;  
FIG. 6 is a top, front and left side perspective view thereof;  
and,  
FIG. 7 is a top, rear, and left side perspective view thereof.

**1 Claim, 7 Drawing Sheets**





*Fig. 1*

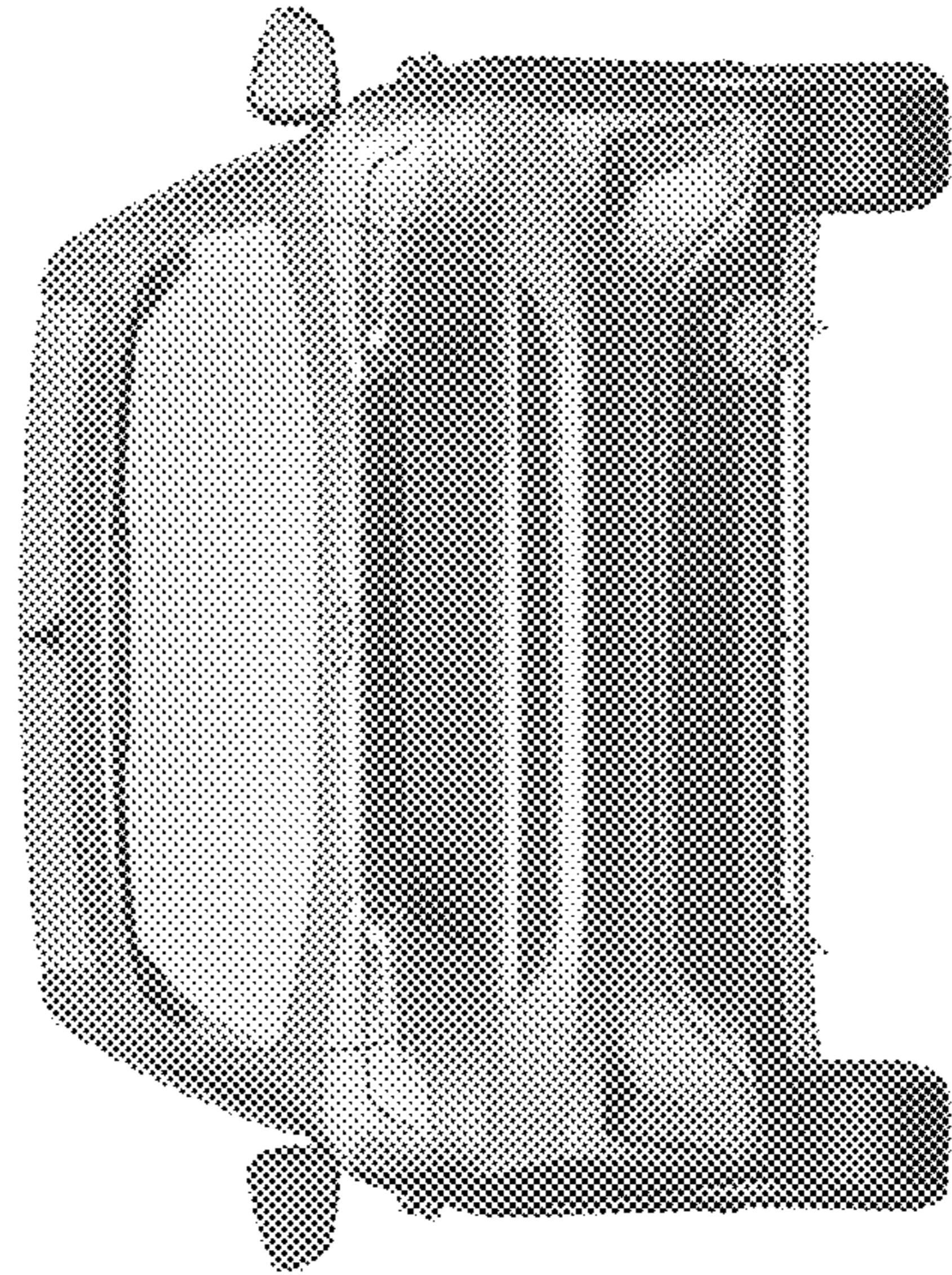


Fig. 2

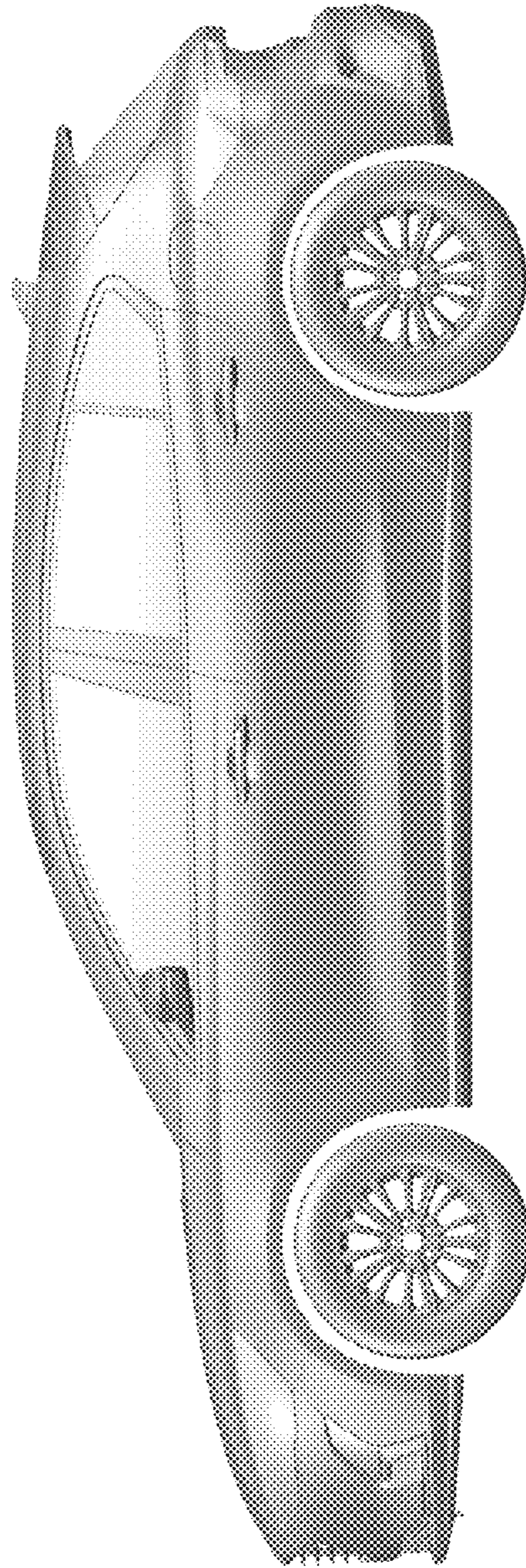


Fig. 3

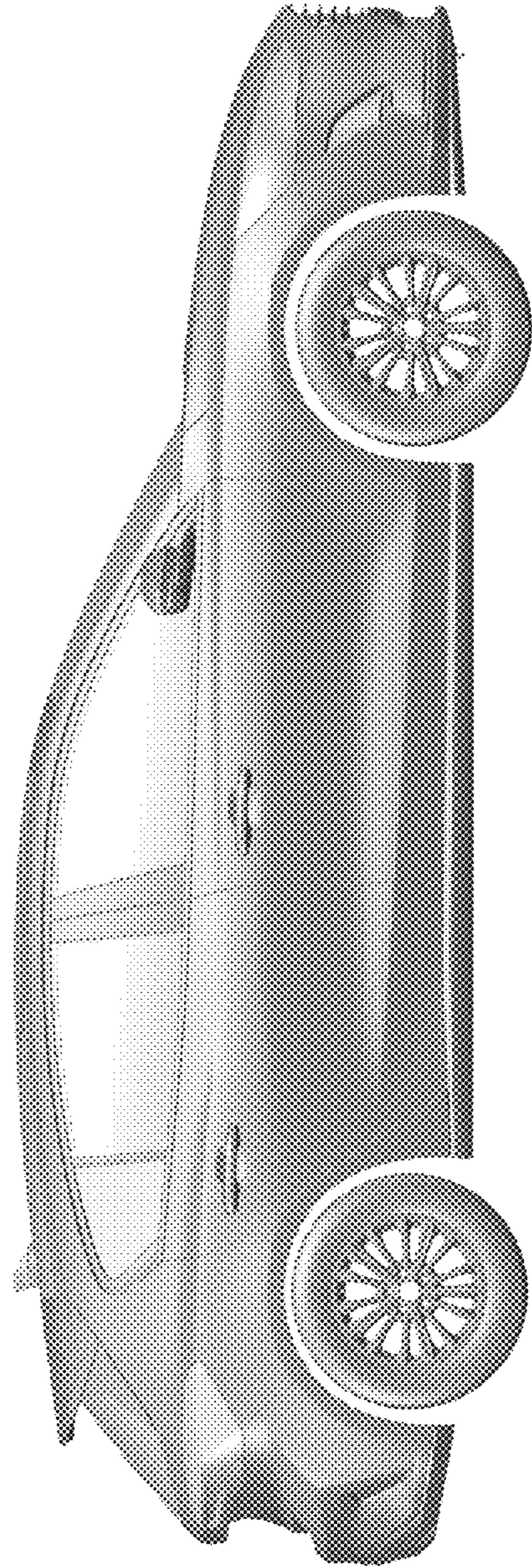


Fig. 4

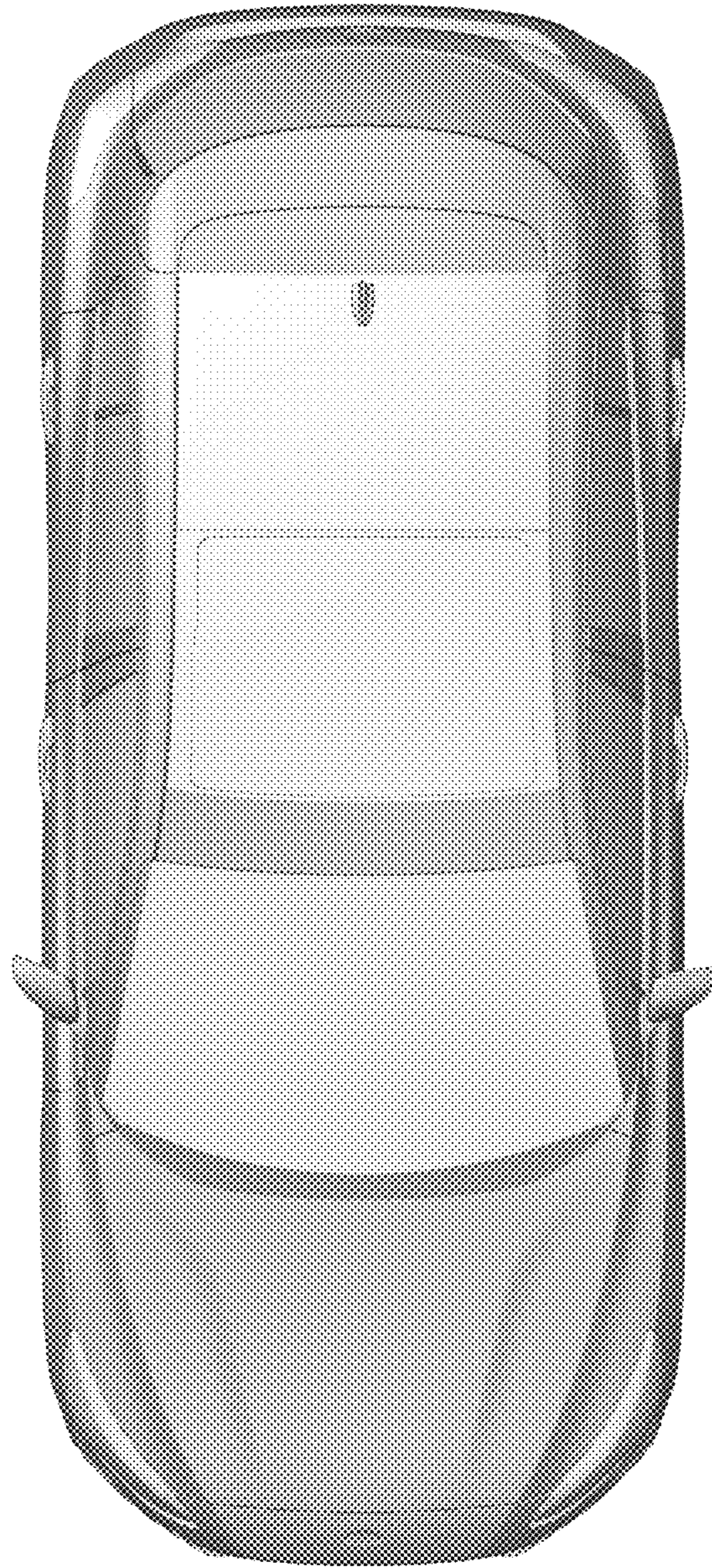


Fig. 5



Fig. 6

Fig. 7

