



US00D909242S

(12) **United States Design Patent** (10) **Patent No.:** **US D909,242 S**
Brandon (45) **Date of Patent:** **** Feb. 2, 2021**

(54) **THREE-WHEELED VEHICLE**
(71) Applicant: **Eric Brandon**, Alton, VA (US)
(72) Inventor: **Eric Brandon**, Alton, VA (US)
(**) Term: **15 Years**
(21) Appl. No.: **29/692,739**
(22) Filed: **May 28, 2019**
(51) **LOC (13) Cl.** **12-08**
(52) **U.S. Cl.**
USPC **D12/85**
(58) **Field of Classification Search**
USPC D12/85, 86, 107, 131; D21/424, 433,
D21/434
CPC B62D 21/11; B62D 29/043; B62D 31/00;
B62D 49/00; B62D 61/065; B62L 3/00;
B62K 3/005; B62K 5/01; B62K 5/08;
B62K 5/027
See application file for complete search history.

D626,032 S * 10/2010 Starr D12/85
D633,821 S * 3/2011 Hill D12/85
D666,127 S * 8/2012 Nam D12/85
(Continued)

FOREIGN PATENT DOCUMENTS

WO WO2012129294 A1 9/2012

OTHER PUBLICATIONS

Rima Pundir. "9 Three-Wheeled Vehicles That Shouldn't Exist (And 10 We Would Actually Buy)." Hotcars., Aug. 10, 2018 [online], [retrieved on Sep. 20, 2020]. Retrieved from the Internet <URL: <https://www.hotcars.com/three-wheeled-vehicles-that-shouldnt-exist-and-we-would-actually-buy/>>.*
(Continued)

Primary Examiner — Darlington Ly

(57) **CLAIM**

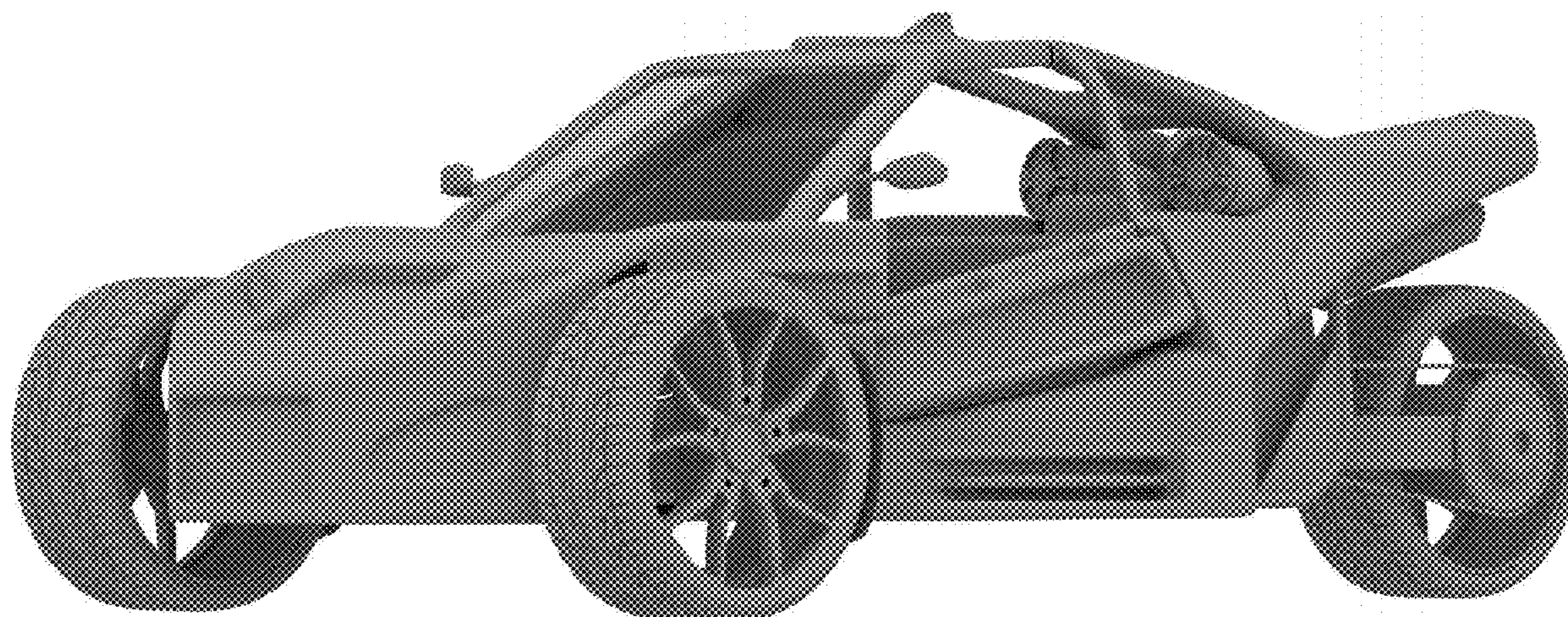
The ornamental design for a three-wheeled vehicle, as shown and described.

DESCRIPTION

FIG. 1 is a left-front perspective view of a three-wheeled vehicle showing my new design;
FIG. 2 is a right-front perspective view thereof;
FIG. 3 is a front elevational view thereof;
FIG. 4 is a rear elevational view thereof;
FIG. 5 is a right side elevational view thereof;
FIG. 6 is a left side elevational view thereof;
FIG. 7 is a left-rear perspective view thereof;
FIG. 8 is a right-rear perspective view thereof;
FIG. 9 is an enlarged view of a left front wheel well thereof;
FIG. 10 is an enlarged view of a rear quarter and B-pillar thereof;
FIG. 11 is an enlarged view of a side body portion thereof; and,
FIG. 12 is an enlarged view of a rear body section thereof.

1 Claim, 12 Drawing Sheets

(56) **References Cited**
U.S. PATENT DOCUMENTS
D260,871 S * 9/1981 Cargile D12/85
4,573,546 A * 3/1986 Irimajiri B62D 61/065
180/211
4,703,824 A * 11/1987 Irimajiri B62D 61/065
180/210
D404,688 S * 1/1999 Hanagan D12/85
6,015,022 A * 1/2000 Thuliez B62D 21/04
180/210
D424,979 S * 5/2000 Hanagan D12/85
D427,548 S * 7/2000 Sacco D12/85
D449,018 S * 10/2001 Musser D12/85
D469,037 S * 1/2003 Hanagan D12/85
D584,188 S * 1/2009 Jenkins D12/85
D589,844 S * 4/2009 Aube D12/85
D592,547 S * 5/2009 Riley D12/85
D592,548 S * 5/2009 Aube D12/85
D613,203 S * 4/2010 Geslin D12/85



(56)

References Cited

U.S. PATENT DOCUMENTS

D678,124 S * 3/2013 Canni D12/85
D682,158 S * 5/2013 Canni D12/85
D689,794 S 9/2013 Bracy et al.
D810,623 S 2/2018 Adcock
D842,758 S 3/2019 Hall et al.
2012/0241239 A1* 9/2012 Holroyd B60K 17/04
180/210

OTHER PUBLICATIONS

“Three Wheel.” New Atlas., Oct. 21, 2018 [online], [retrieved on Sep. 20, 2020]. Retrieved from the Internet <URL: <https://newatlas.com/tag/three+wheel/>>.*
“Campagna T-Rex &V13R” Drivedrill.com <http://www.drivedrill.com/image-model/2635-campagna-t-rex-2.jpg.html>.

* cited by examiner

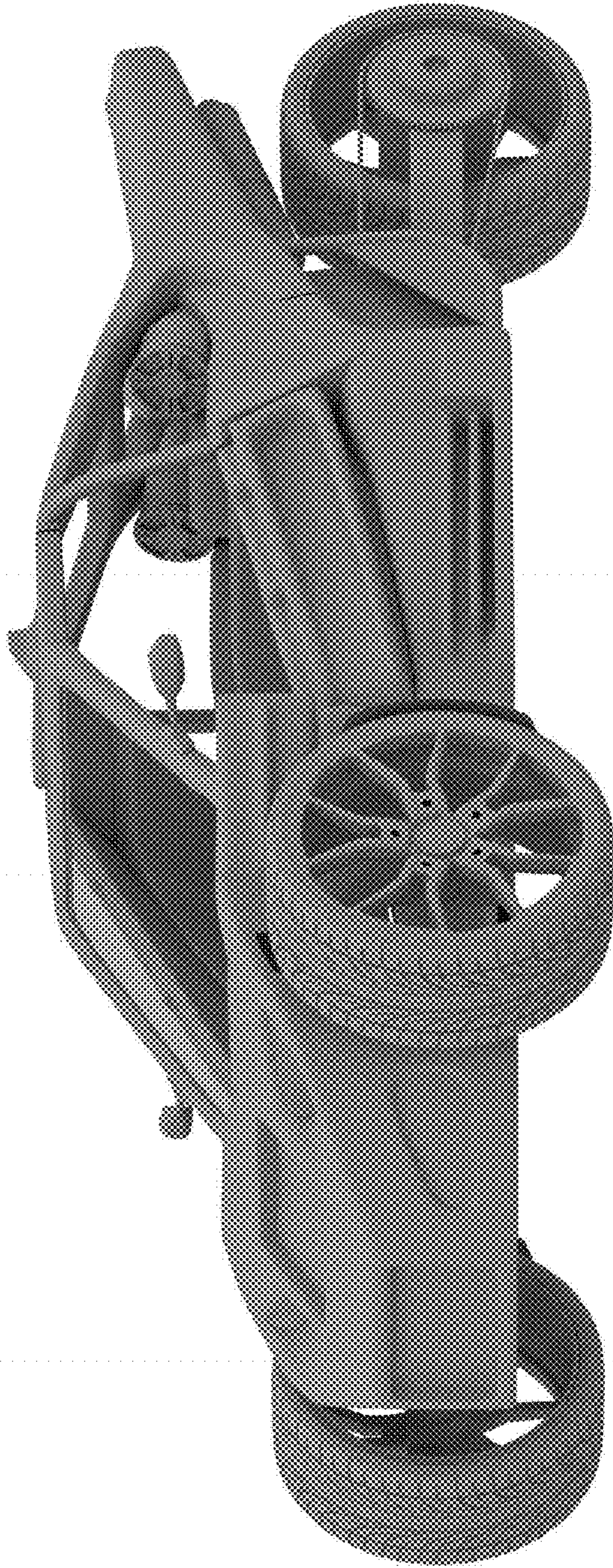


FIG. 1

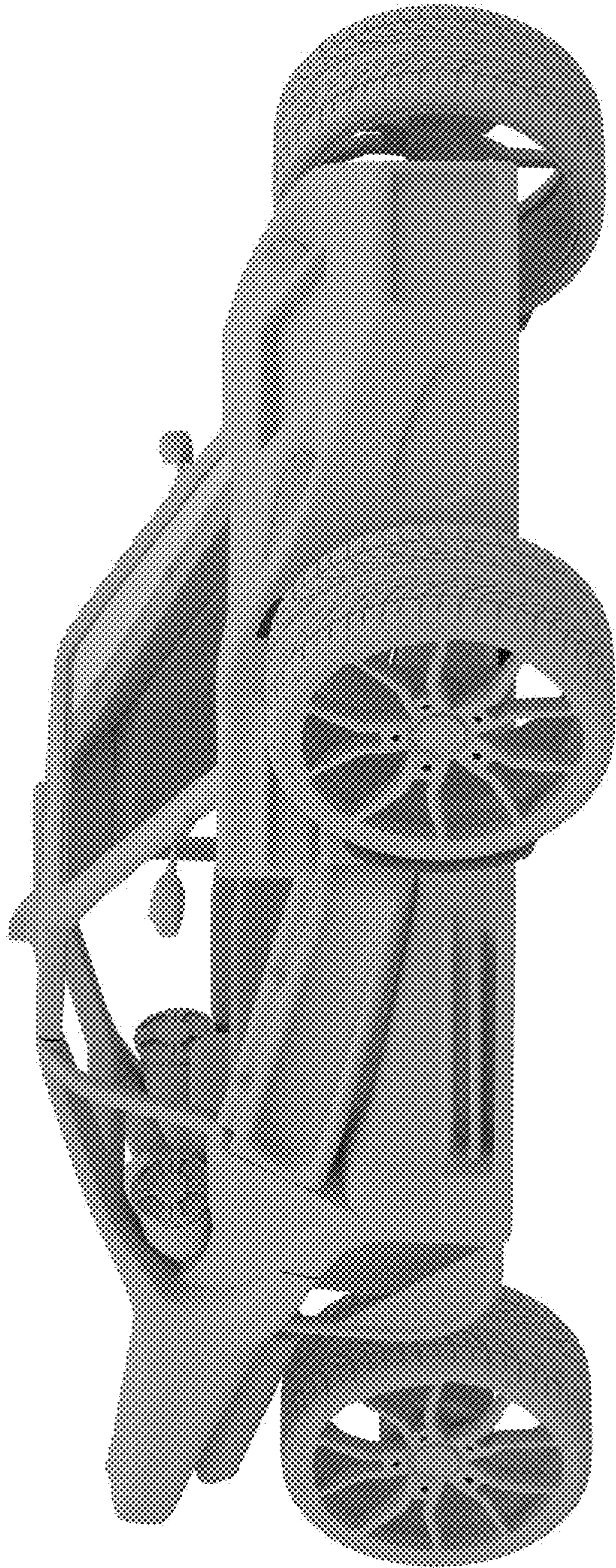


FIG. 2

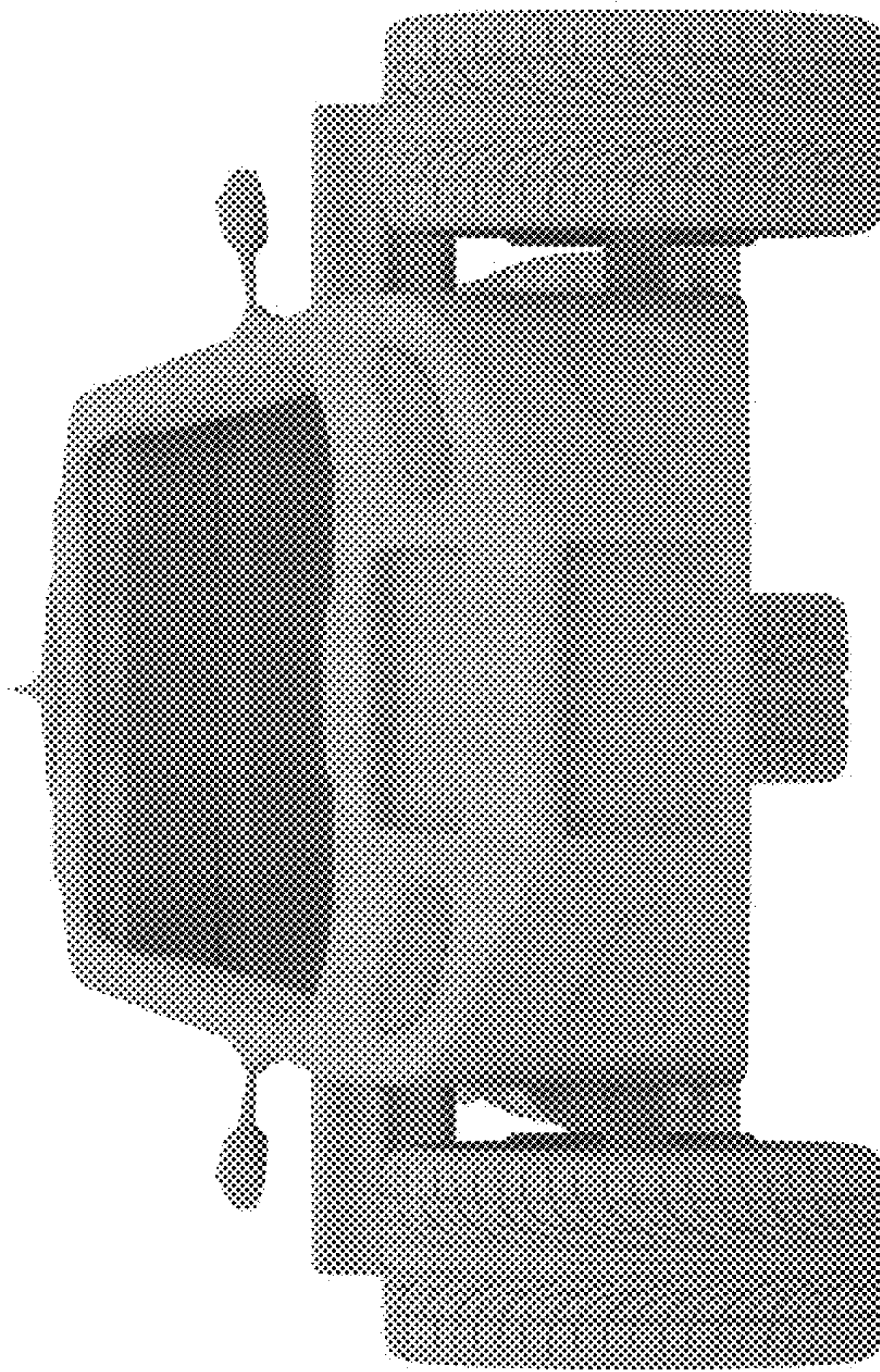


FIG. 3

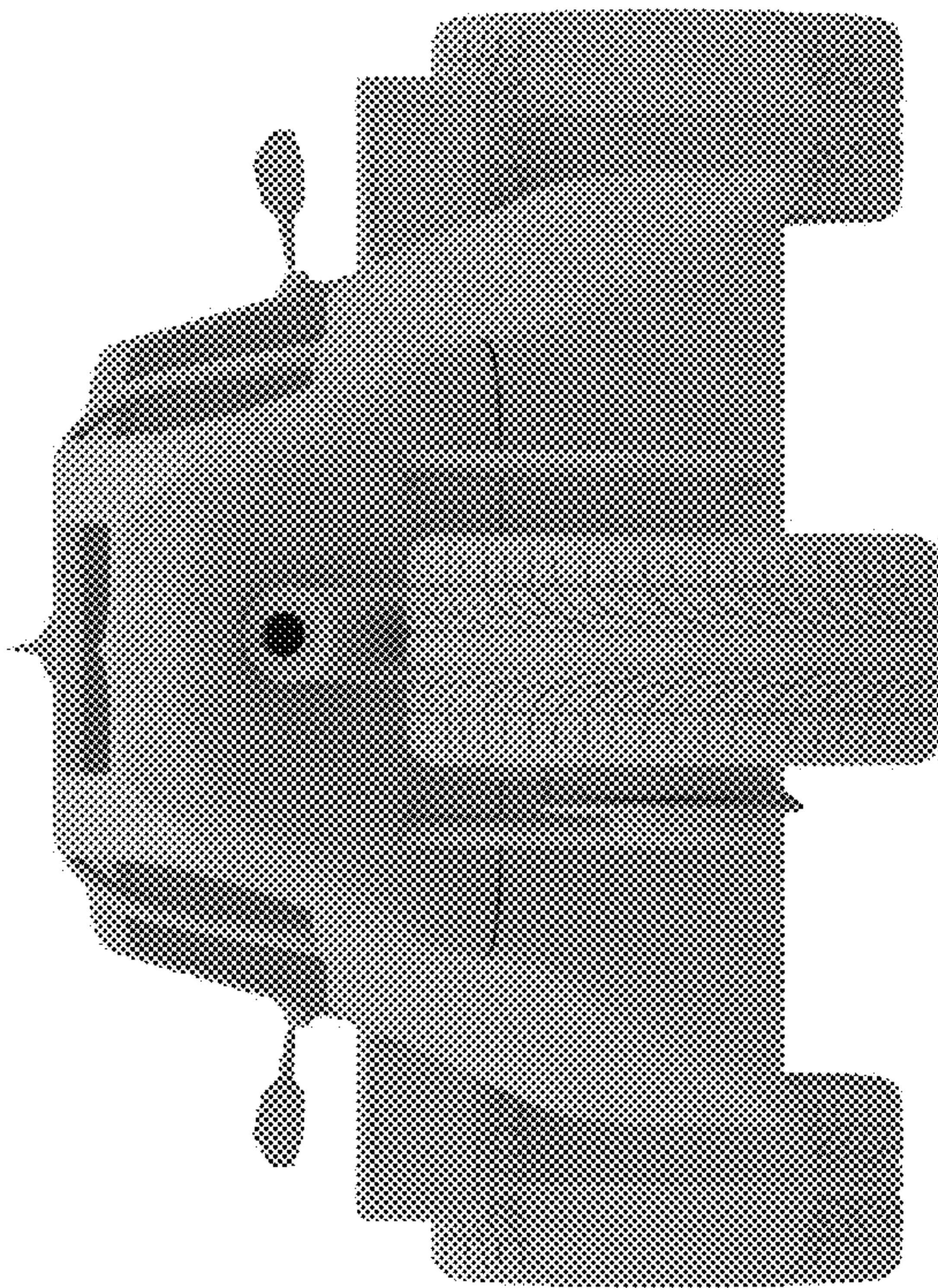


FIG. 4

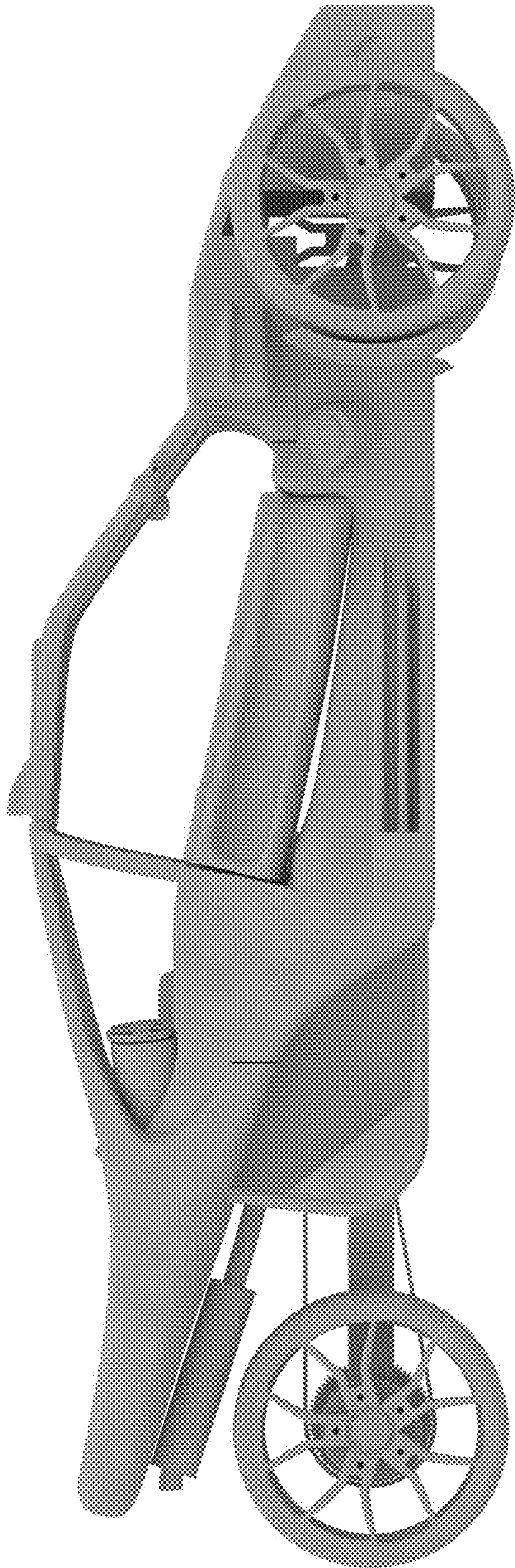


FIG. 5

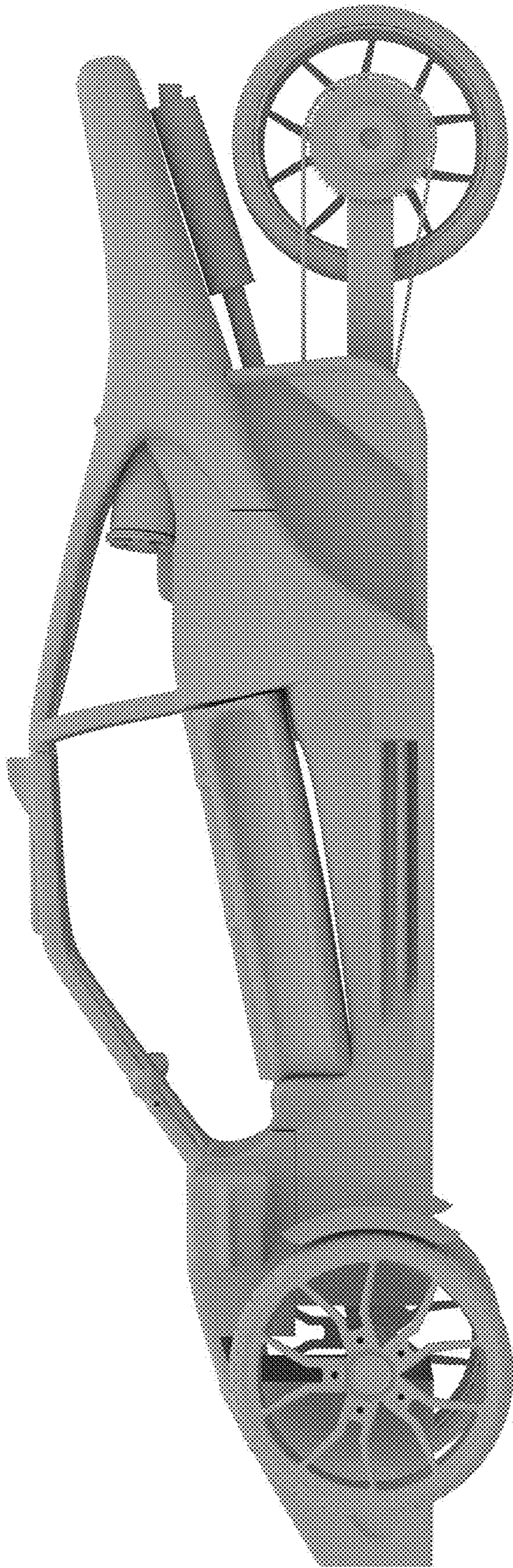


FIG. 6

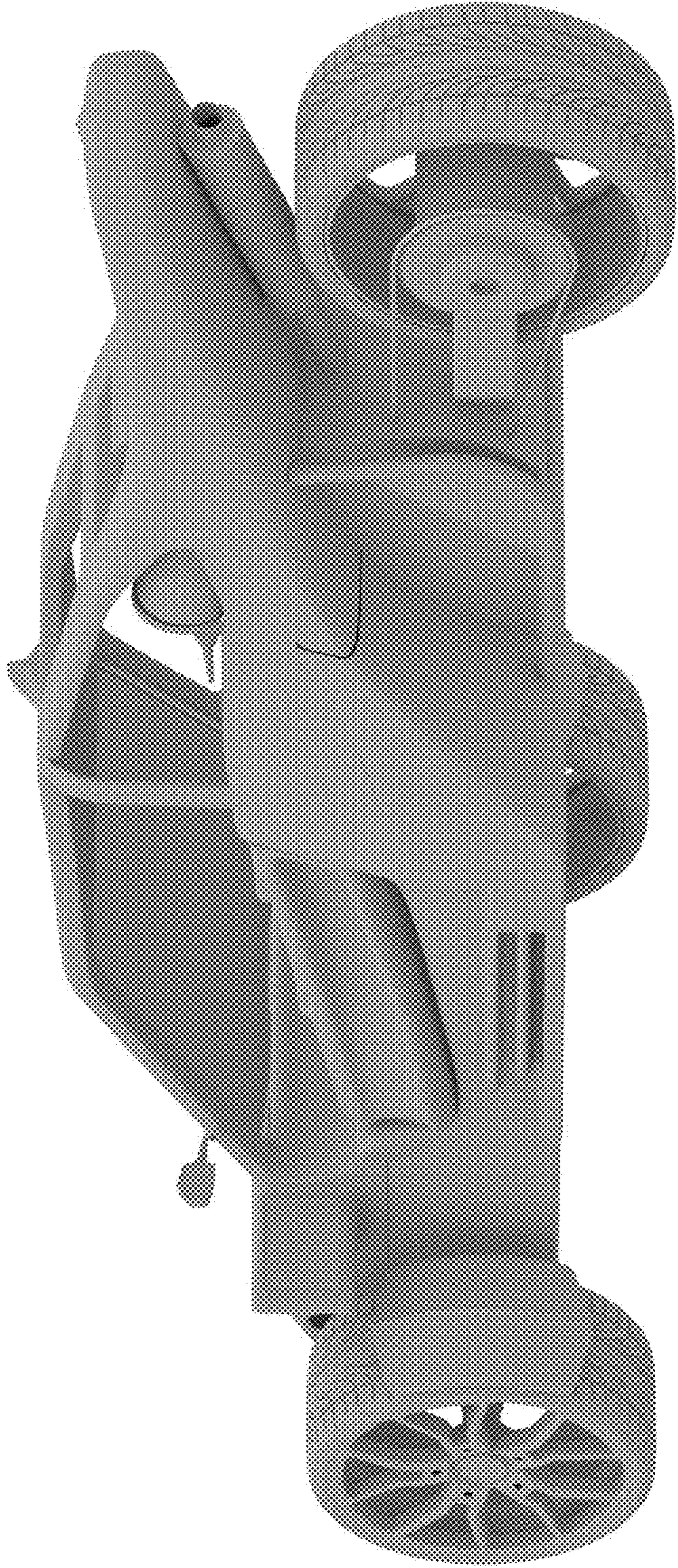


FIG. 7

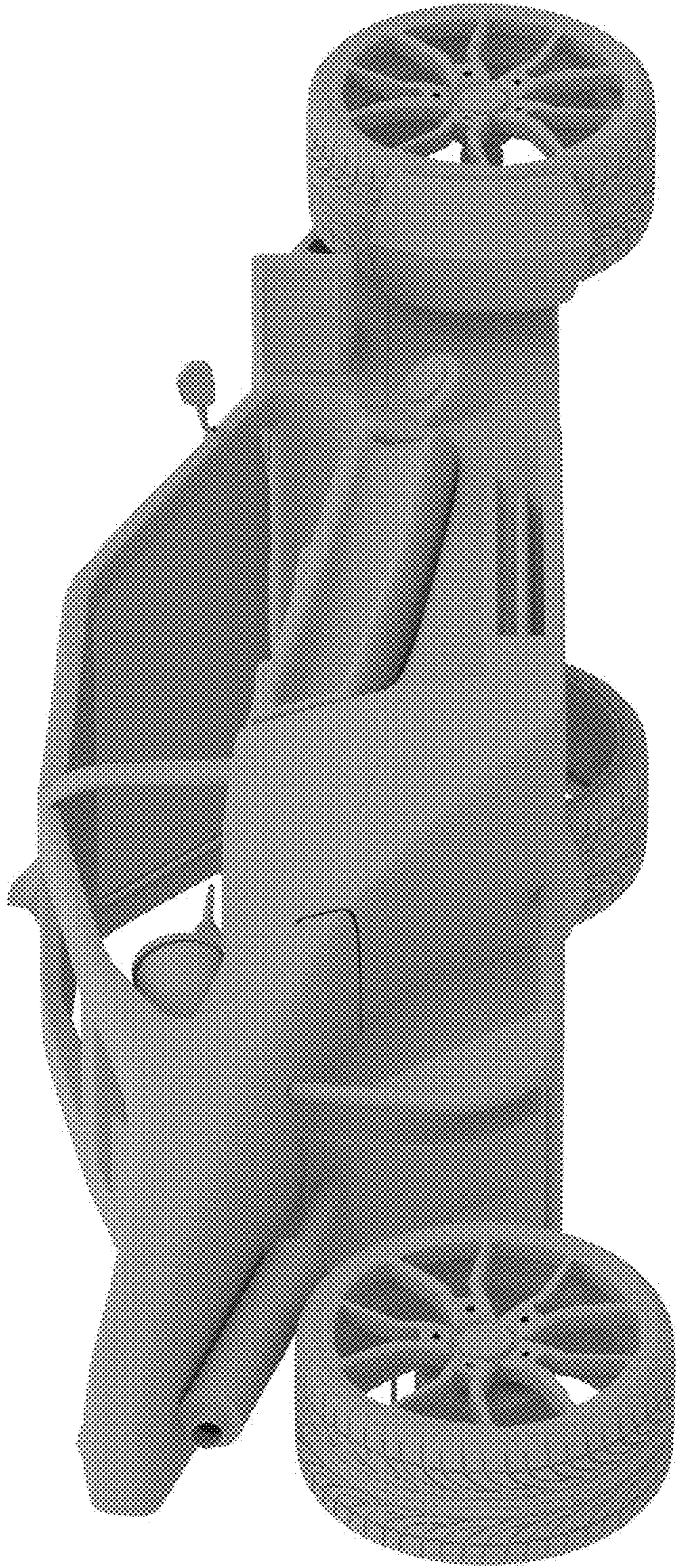


FIG. 8

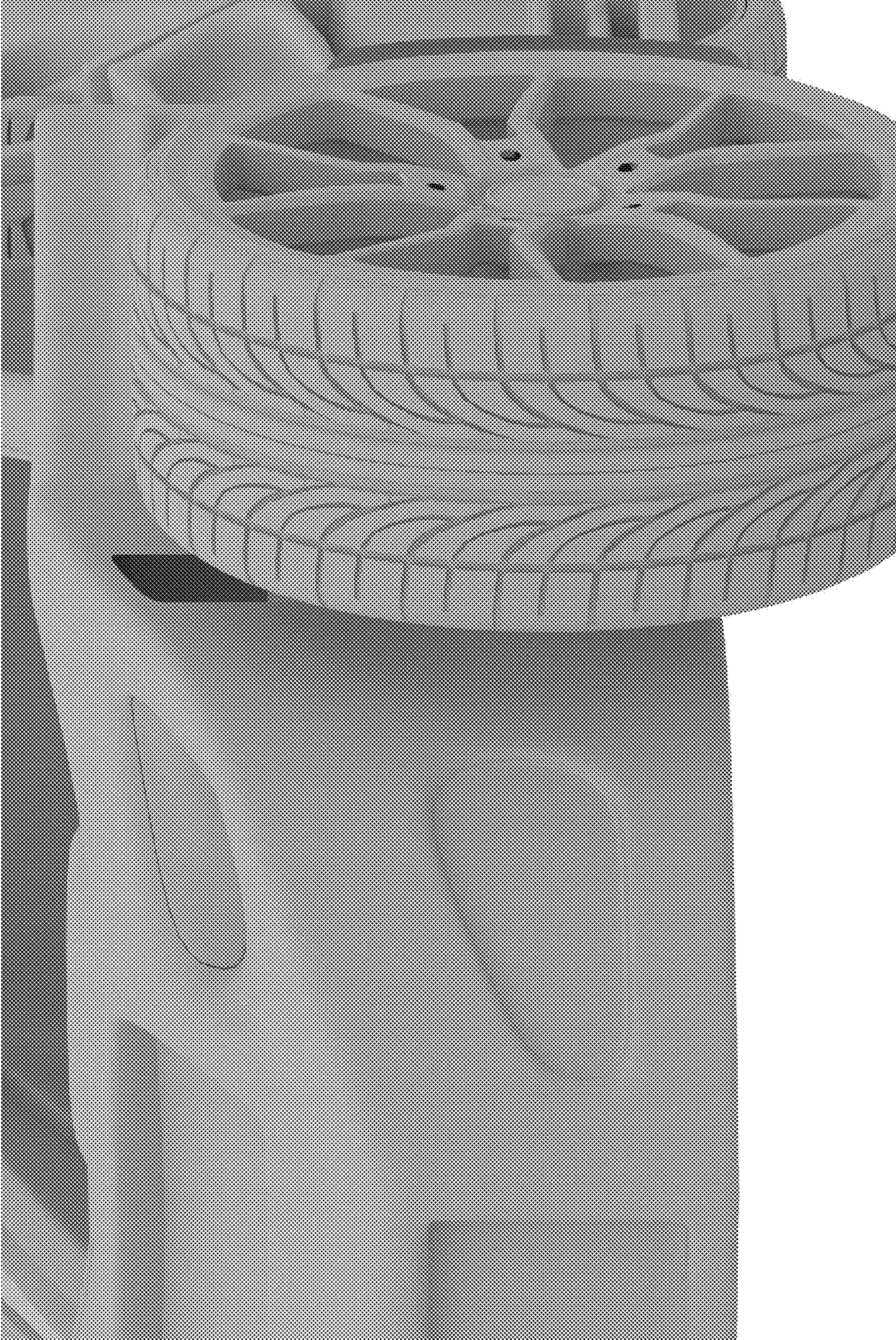


FIG. 9

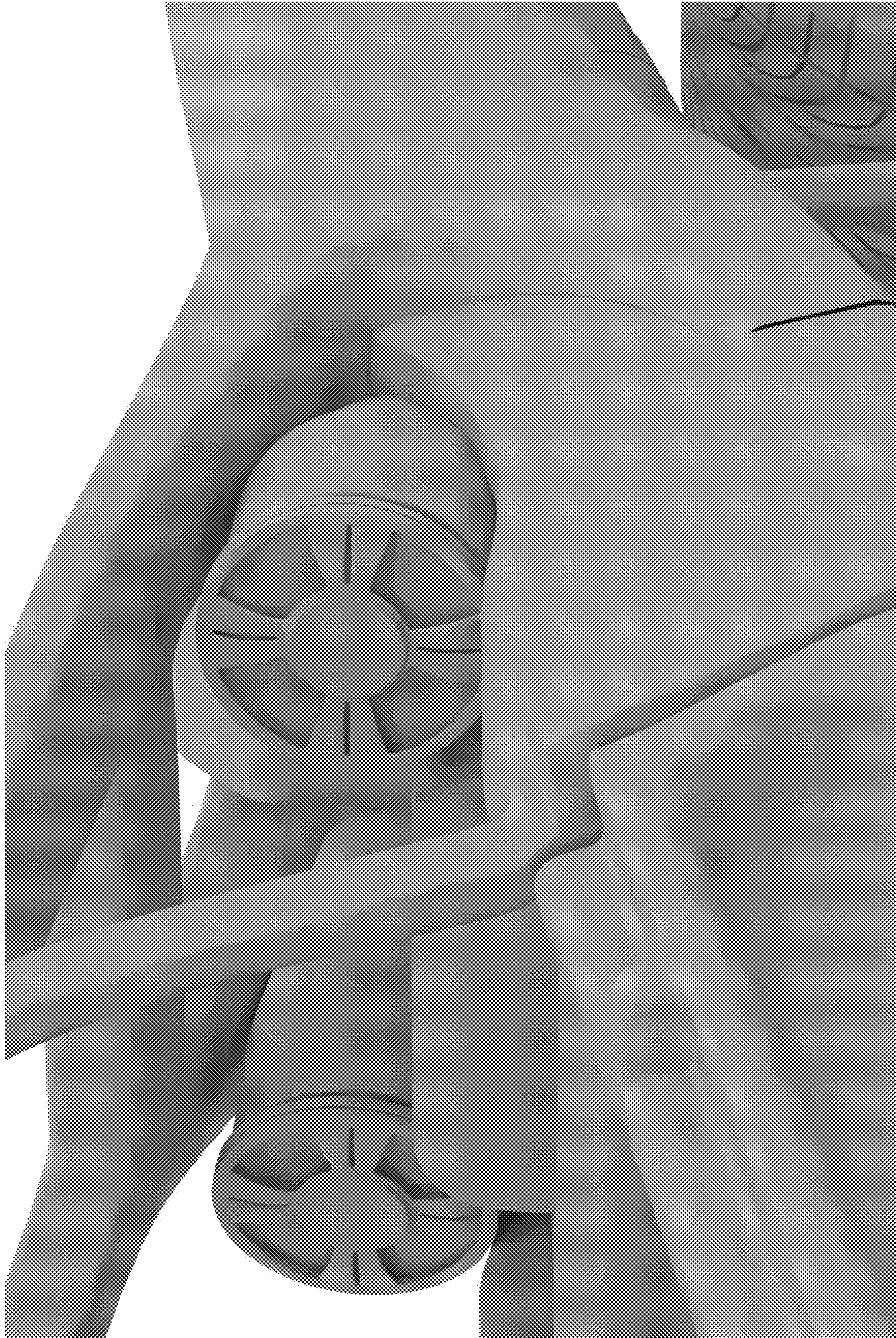


FIG. 10

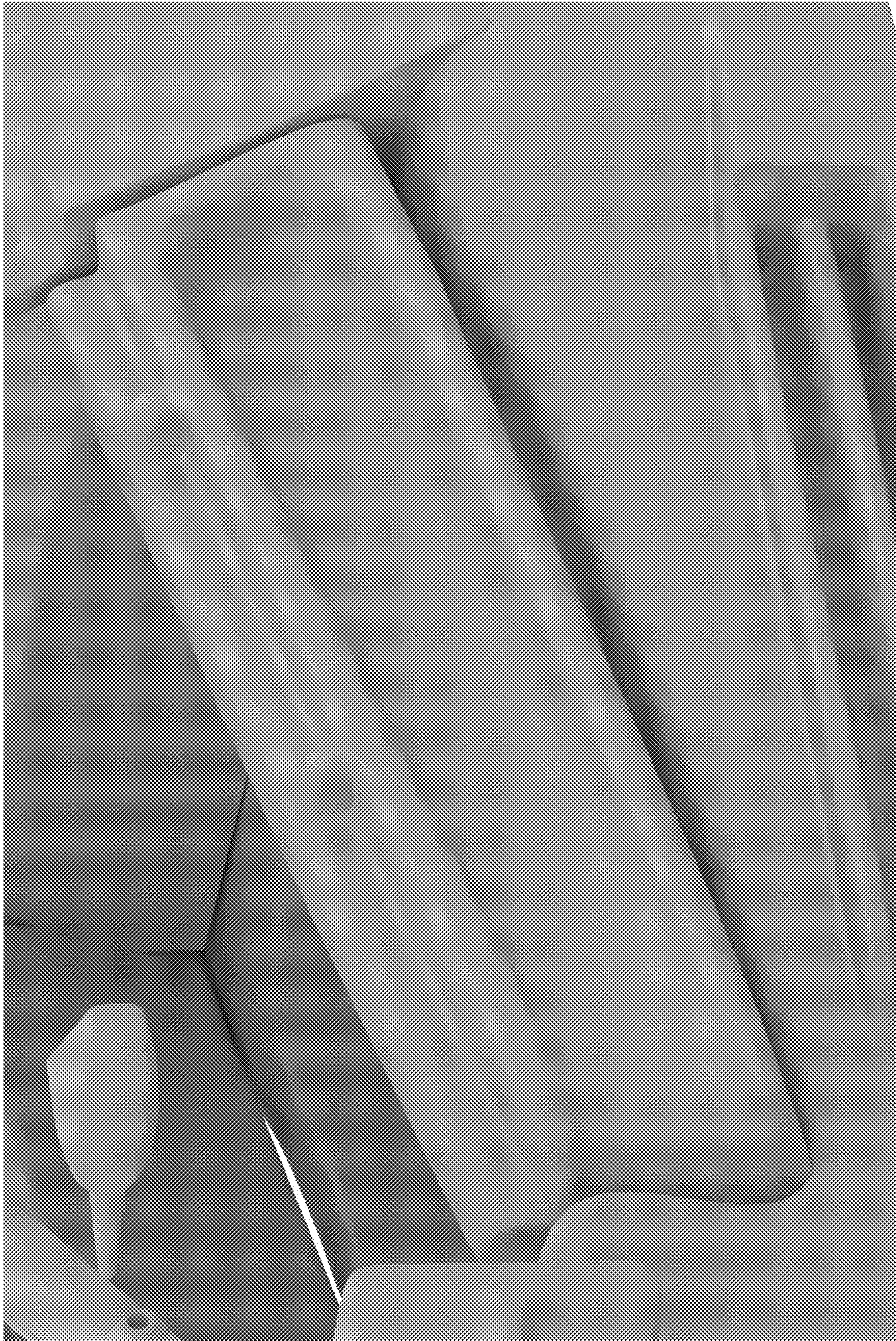


FIG. 11

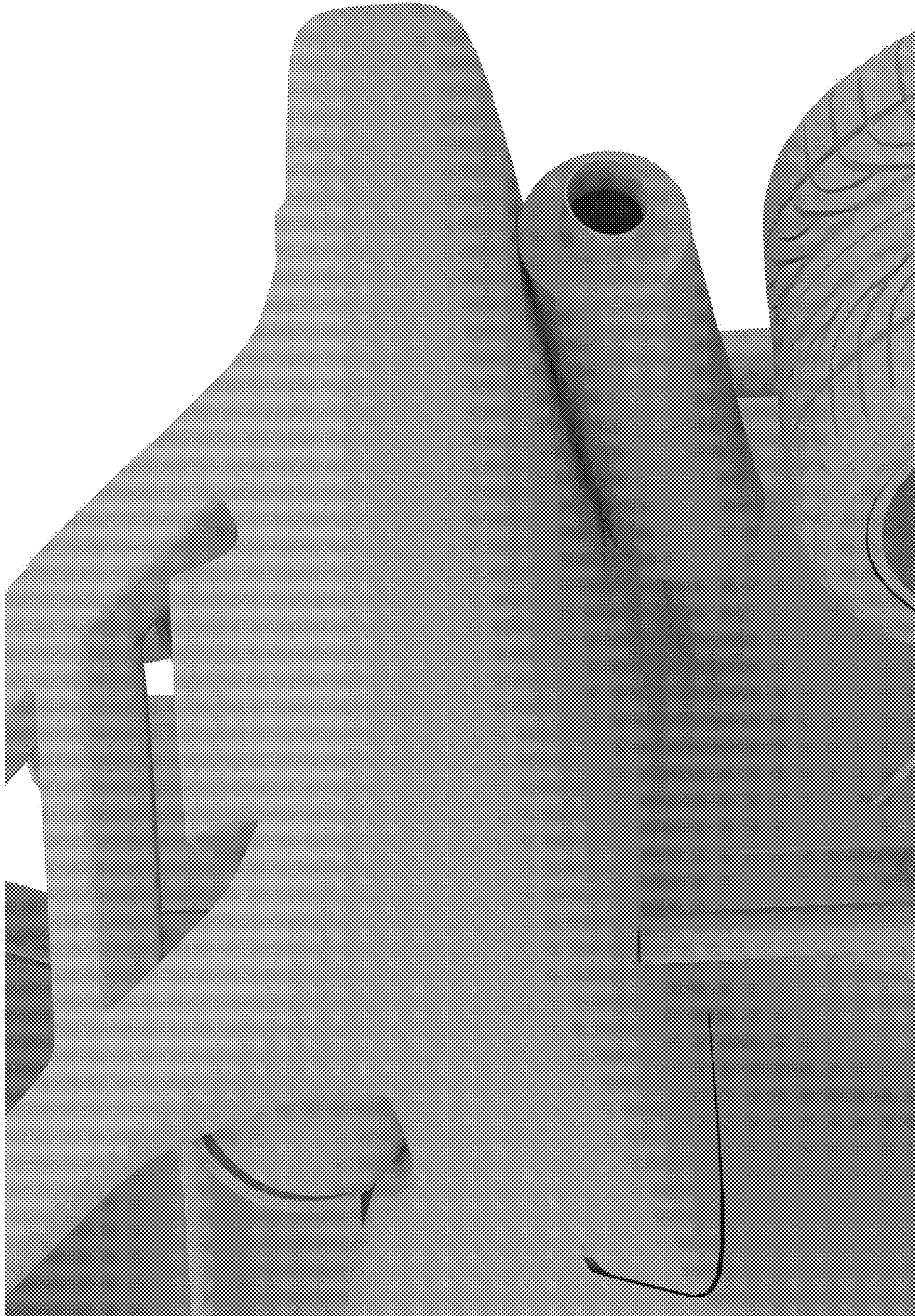


FIG. 12