



US00D909239S

(12) **United States Design Patent** (10) **Patent No.:** **US D909,239 S**
Choi et al. (45) **Date of Patent:** **** Feb. 2, 2021**

(54) **SHELF FOR PLANT CULTIVATOR**

(71) Applicant: **LG ELECTRONICS INC.**, Seoul (KR)

(72) Inventors: **Kyukwan Choi**, Seoul (KR); **Sunil Cho**, Seoul (KR); **Joosang Kim**, Seoul (KR); **Minsub Kim**, Seoul (KR)

(73) Assignee: **LG Electronics Inc.**, Seoul (KR)

(**) Term: **15 Years**

(21) Appl. No.: **29/698,497**

(22) Filed: **Jul. 17, 2019**

(30) **Foreign Application Priority Data**

Jan. 18, 2019 (WO) 79334

(51) **LOC (13) Cl.** **11-02**

(52) **U.S. Cl.**
USPC **D11/155**

(58) **Field of Classification Search**
USPC D11/143–156, 164; D6/403, 404, 405, D6/677.3, 678.2; D7/553.3, 554.3
CPC A01G 9/021; A01G 9/022; A01G 9/0293; A01G 9/0295; A01G 9/027; A01G 9/029; A01G 9/08; A01G 9/16; A47G 7/00; A47G 7/02; A47G 7/041; A47G 7/044; A47G 7/047; A47G 7/06; A47G 7/08
See application file for complete search history.

(56) **References Cited**

U.S. PATENT DOCUMENTS

D17,127 S * 2/1887 Clark D19/103
1,979,664 A * 11/1934 Birkenhauer A21B 3/132
249/120
D132,963 S * 7/1942 Salomon D3/313
D148,455 S * 1/1948 Bleich D19/92

2,501,379 A * 3/1950 Cranston A47F 3/14
206/509
D199,684 S * 12/1964 Lombardo D7/553.2
3,273,700 A * 9/1966 Moreau et al. B44D 3/04
206/1.7
D206,761 S * 1/1967 Kirwan D7/553.5
D207,406 S * 4/1967 Van Meter D7/357

(Continued)

Primary Examiner — Elizabeth A. Albert

(74) *Attorney, Agent, or Firm* — Birch, Stewart, Kolasch & Birch, LLP

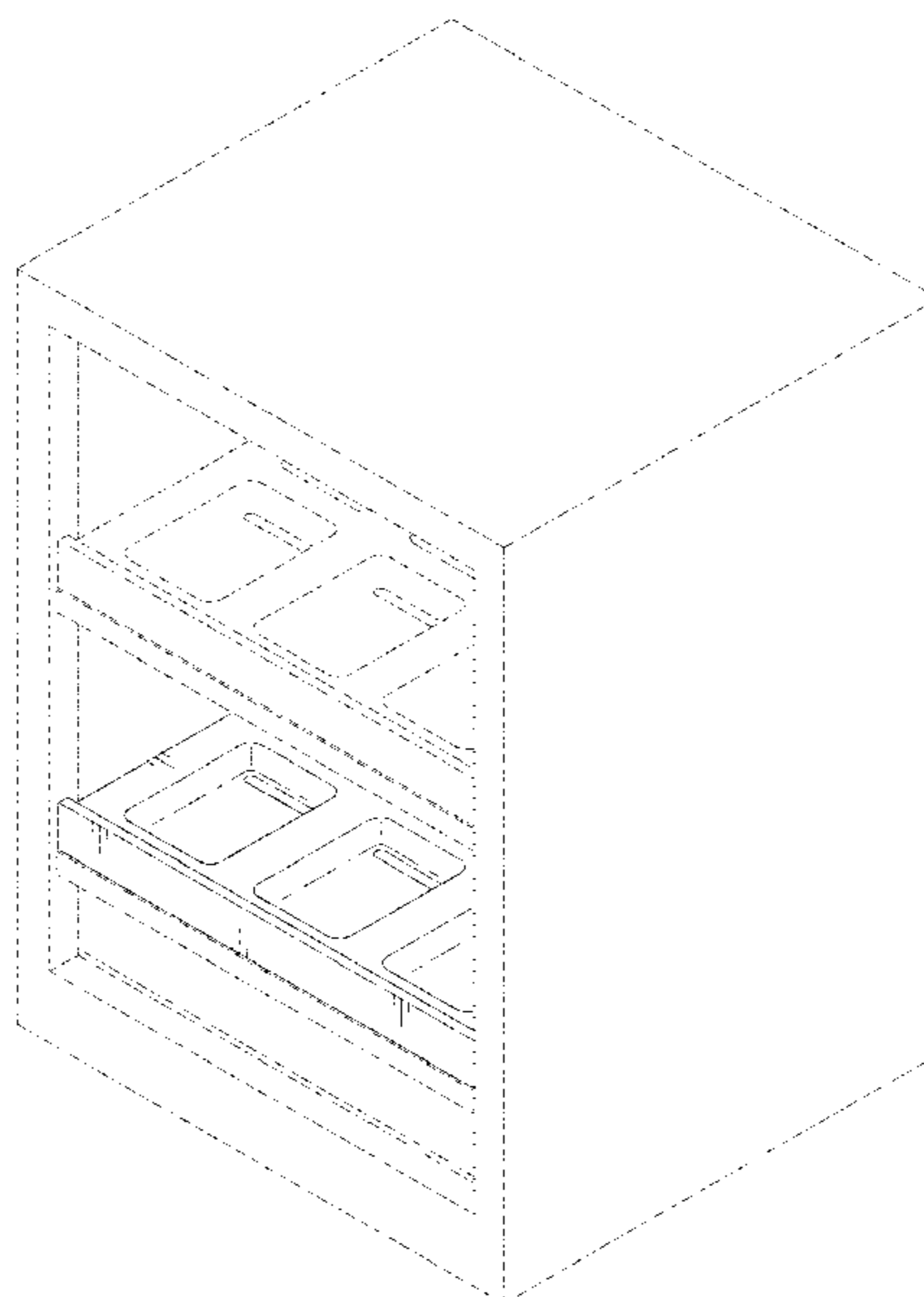
(57) **CLAIM**

The ornamental design for a shelf for plant cultivator, as shown and described.

DESCRIPTION

FIG. 1 is a front perspective view of a shelf for plant cultivator showing our new design;
FIG. 2 is a front view thereof;
FIG. 3 is a back view thereof;
FIG. 4 is a left view thereof where the right view is a mirror image;
FIG. 5 is a top view thereof where the bottom view is a mirror image;
FIG. 6 is a perspective view in a condition that the one of the shelves is slid forward;
FIG. 7 is a front view of FIG. 6;
FIG. 8 is a back view of FIG. 6;
FIG. 9 is a left view of FIG. 6 where the right view is a mirror image;
FIG. 10 is a top view of FIG. 6;
FIG. 11 is a bottom view of FIG. 6;
FIG. 12 is an exploded perspective view of FIG. 6;
FIG. 13 is another exploded perspective view of FIG. 6; and,
FIG. 14 is still another exploded perspective view of FIG. 6.
The broken lines are included to show portions of the shelf for plant cultivator that form no part of the claimed design.

1 Claim, 14 Drawing Sheets



(56)

References Cited

U.S. PATENT DOCUMENTS

D214,523 S * 6/1969 Stone D7/553.3
3,707,806 A * 1/1973 Toews G09F 1/04
47/87
D236,365 S * 8/1975 Fox D11/156
3,982,655 A * 9/1976 Kaupert B65D 1/36
220/23.6
4,648,524 A * 3/1987 Ackermann A47B 88/969
220/507
4,834,262 A * 5/1989 Reed B65F 1/004
220/23.6
4,872,723 A * 10/1989 Kopf B60N 3/002
297/216.1
4,905,836 A * 3/1990 Lindgren B64D 1/16
206/557
D311,210 S * 10/1990 Bottcher D19/103
D338,808 S * 8/1993 Anderson D7/549
D355,333 S * 2/1995 Campbell D7/553.2
5,547,082 A * 8/1996 Royer H05K 13/0084
206/725
D380,961 S * 7/1997 Schnack D9/425
D419,772 S * 2/2000 Williams D3/201
D444,480 S * 7/2001 Shultz, Jr. D15/90
D452,078 S * 12/2001 Dembicks D3/313
D453,309 S * 2/2002 Katz D11/155
RE37,821 E * 8/2002 VanWingerden A01G 9/0295
47/73
D466,758 S * 12/2002 Bradley 220/23.8
D492,195 S * 6/2004 Shabaz D9/737
D574,182 S * 8/2008 Shannon D7/357
D708,891 S * 7/2014 Smallegan D7/357
D840,249 S * 2/2019 Payne D9/760
D884,798 S * 5/2020 Hsu D21/342

* cited by examiner

FIG. 1

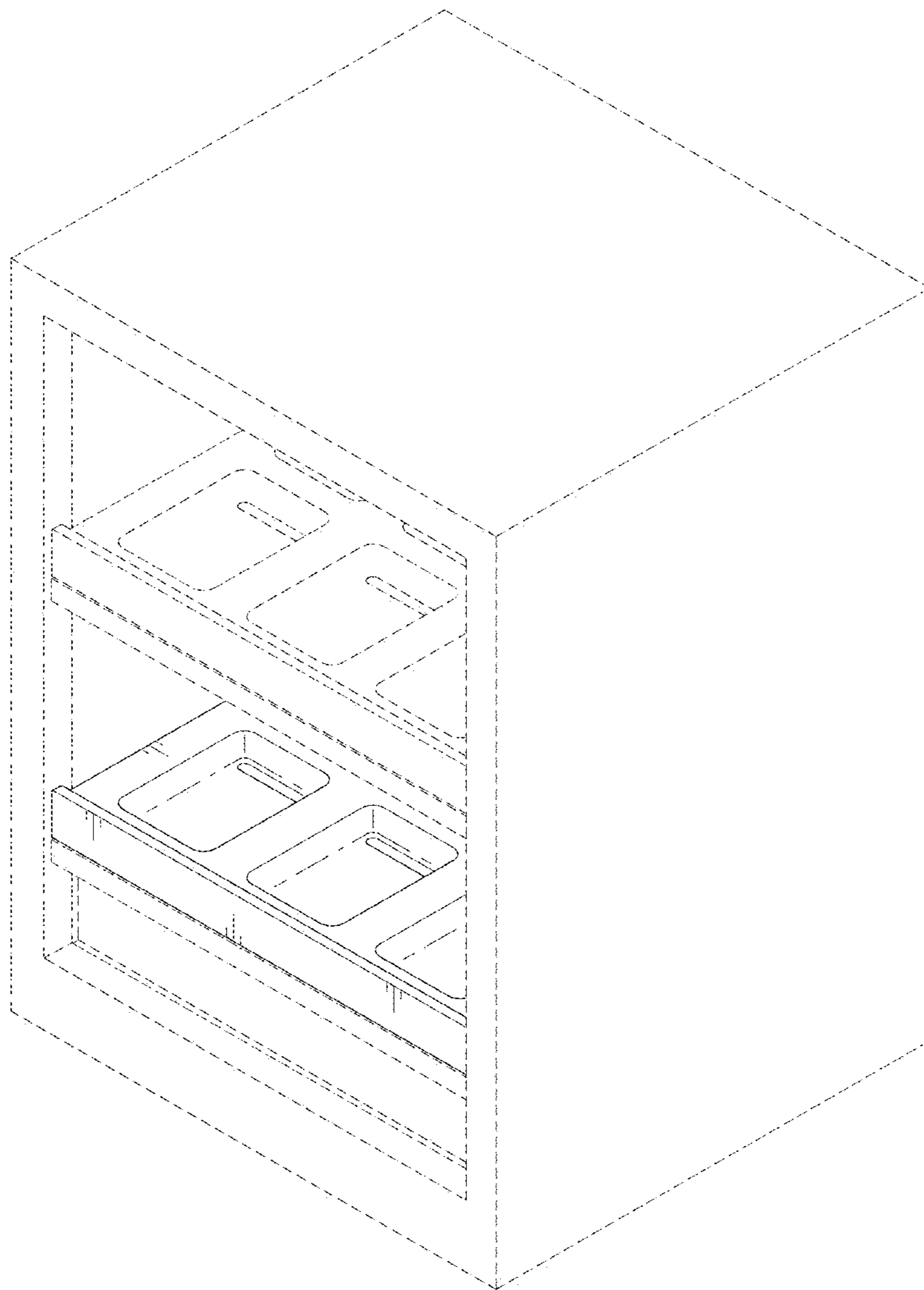


FIG. 2

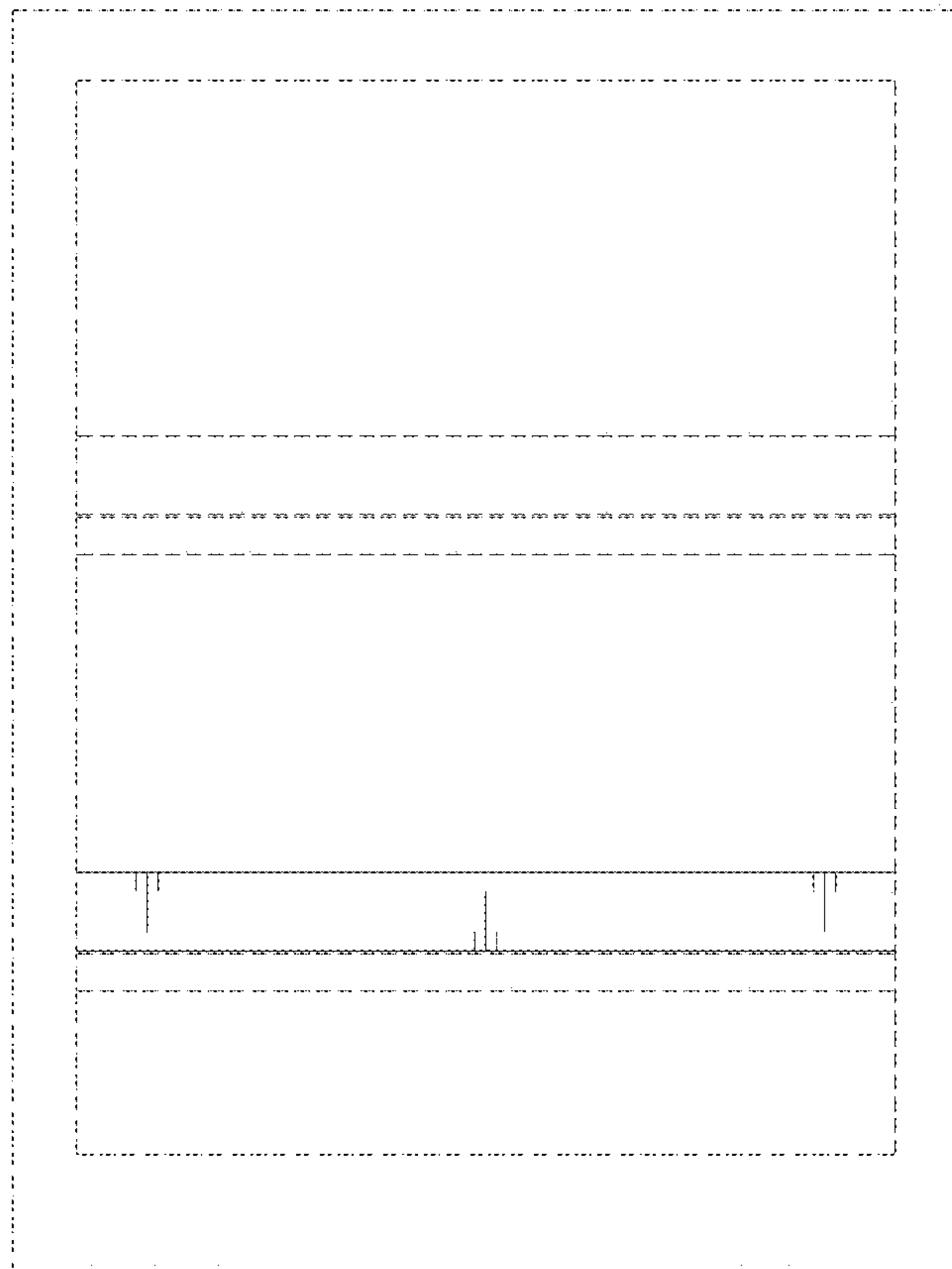


FIG. 3

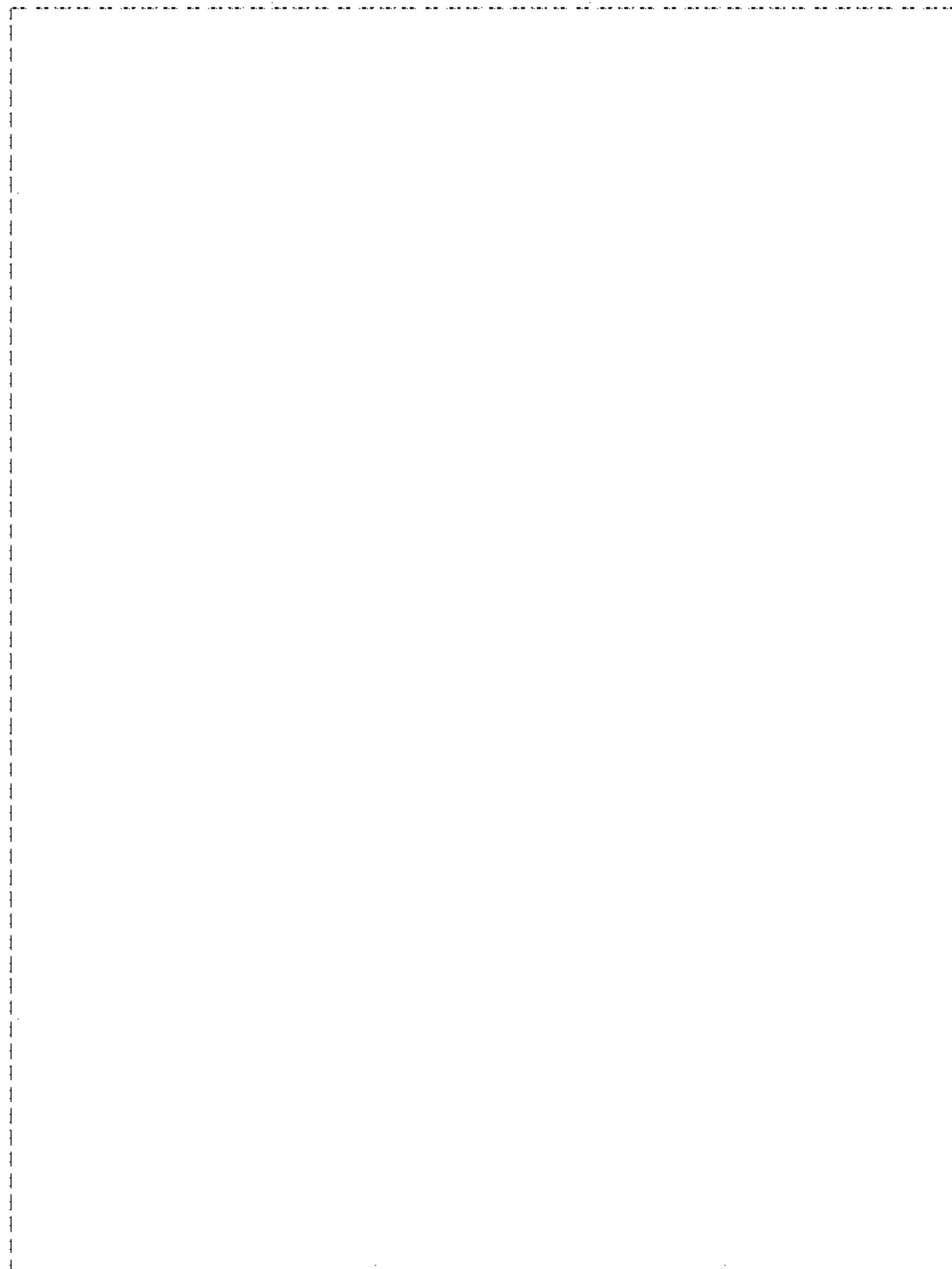


FIG. 4

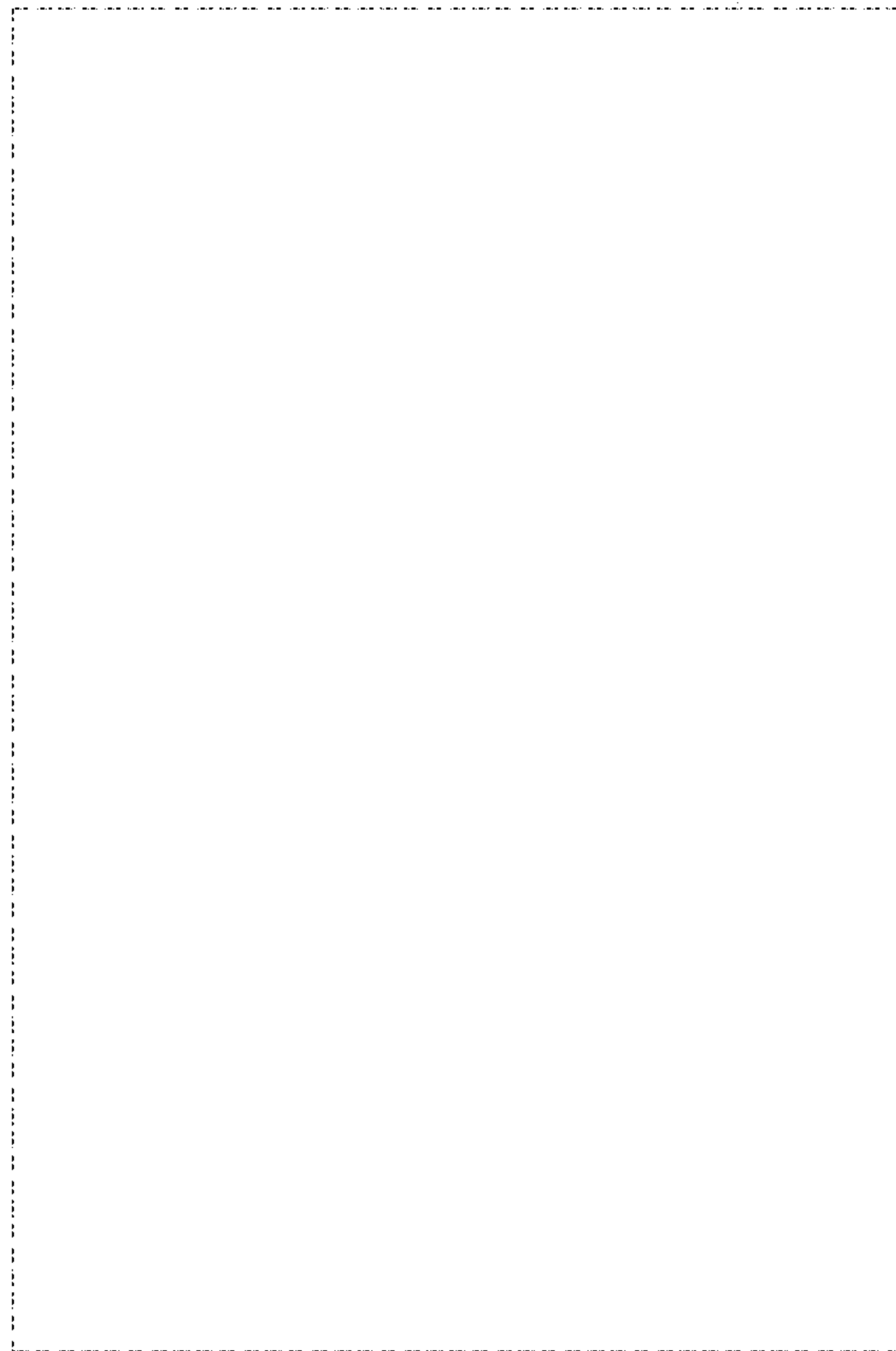


FIG. 5

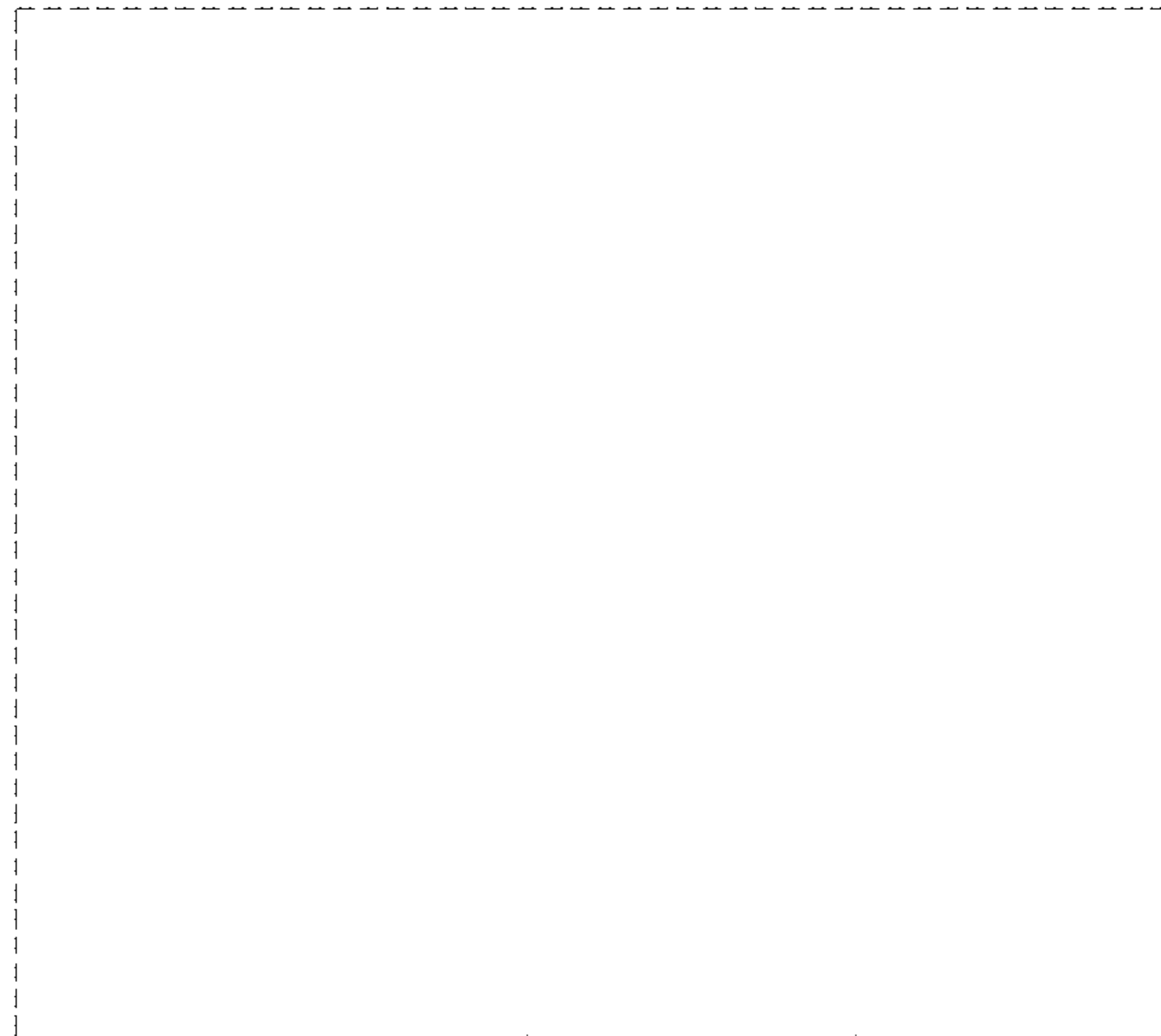


FIG. 6

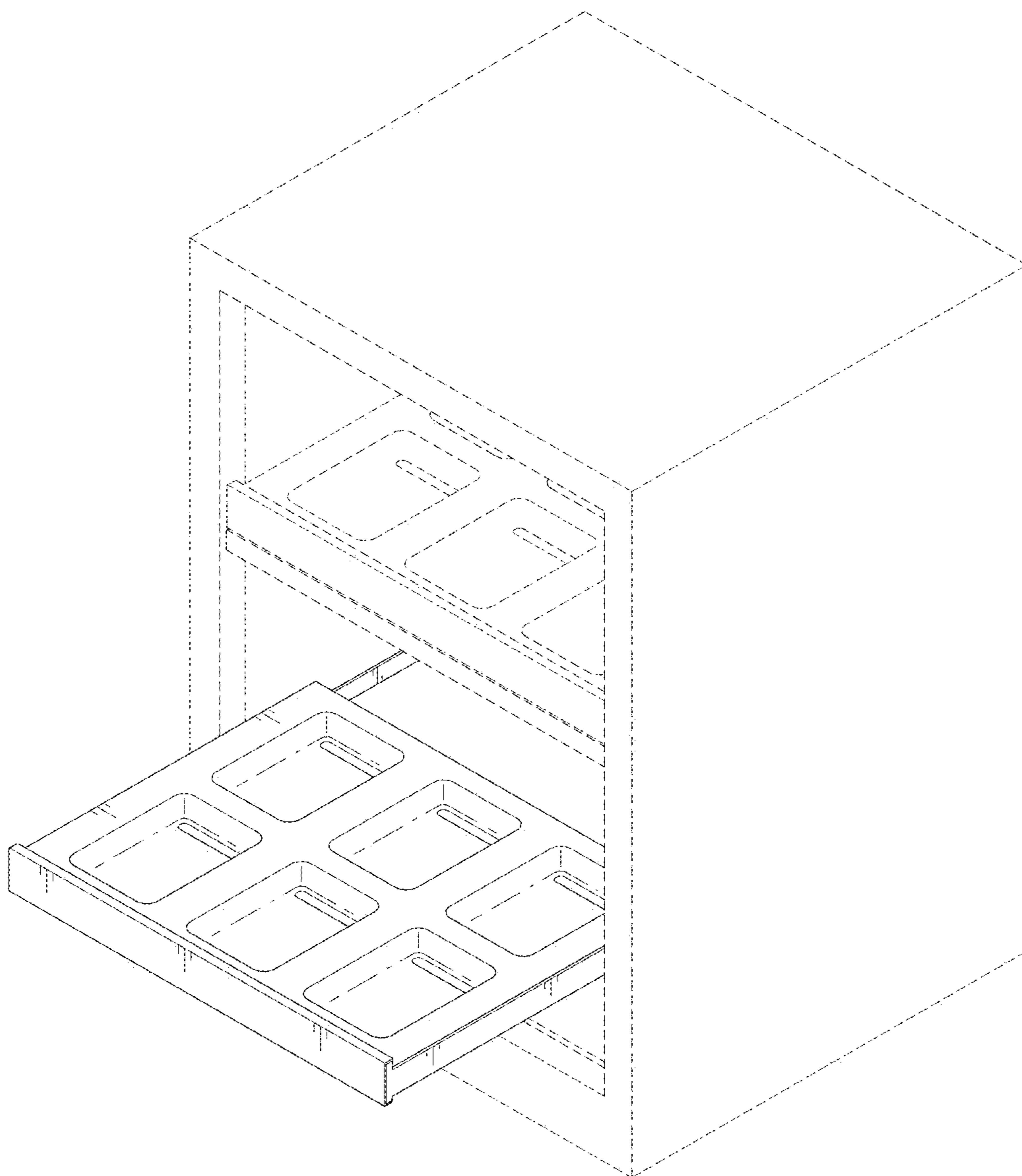


FIG. 7

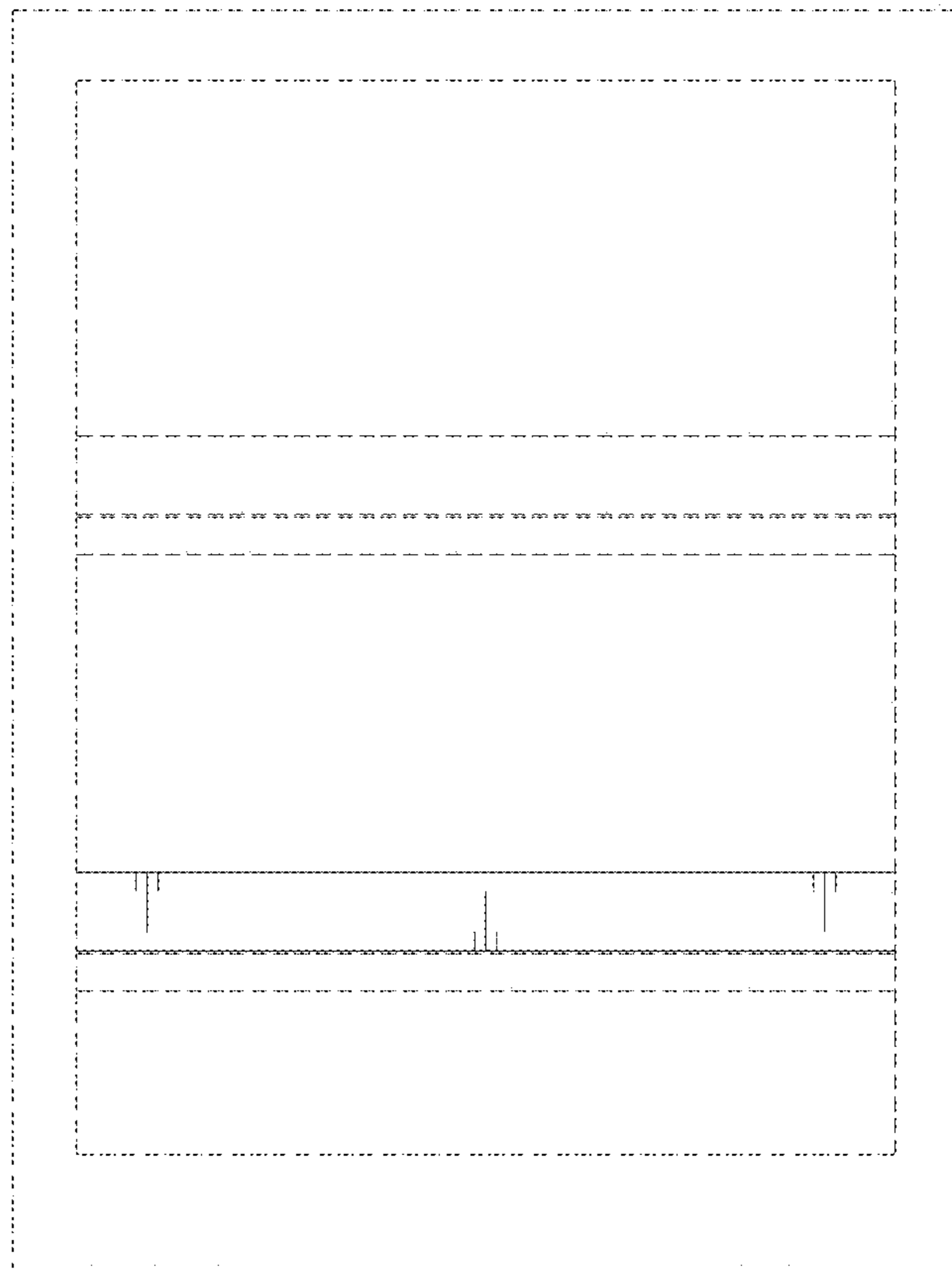


FIG. 8



FIG. 9

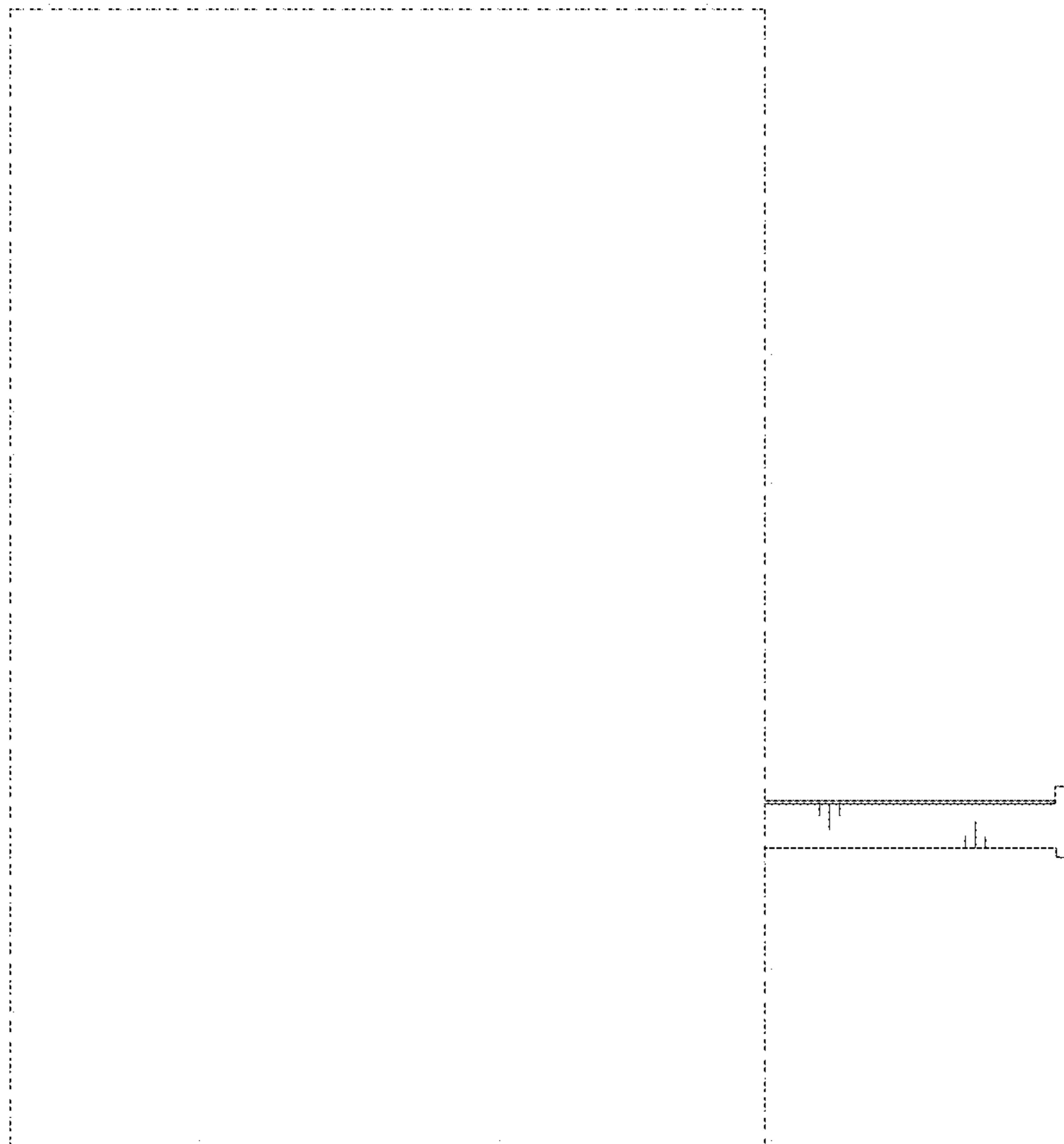


FIG. 10

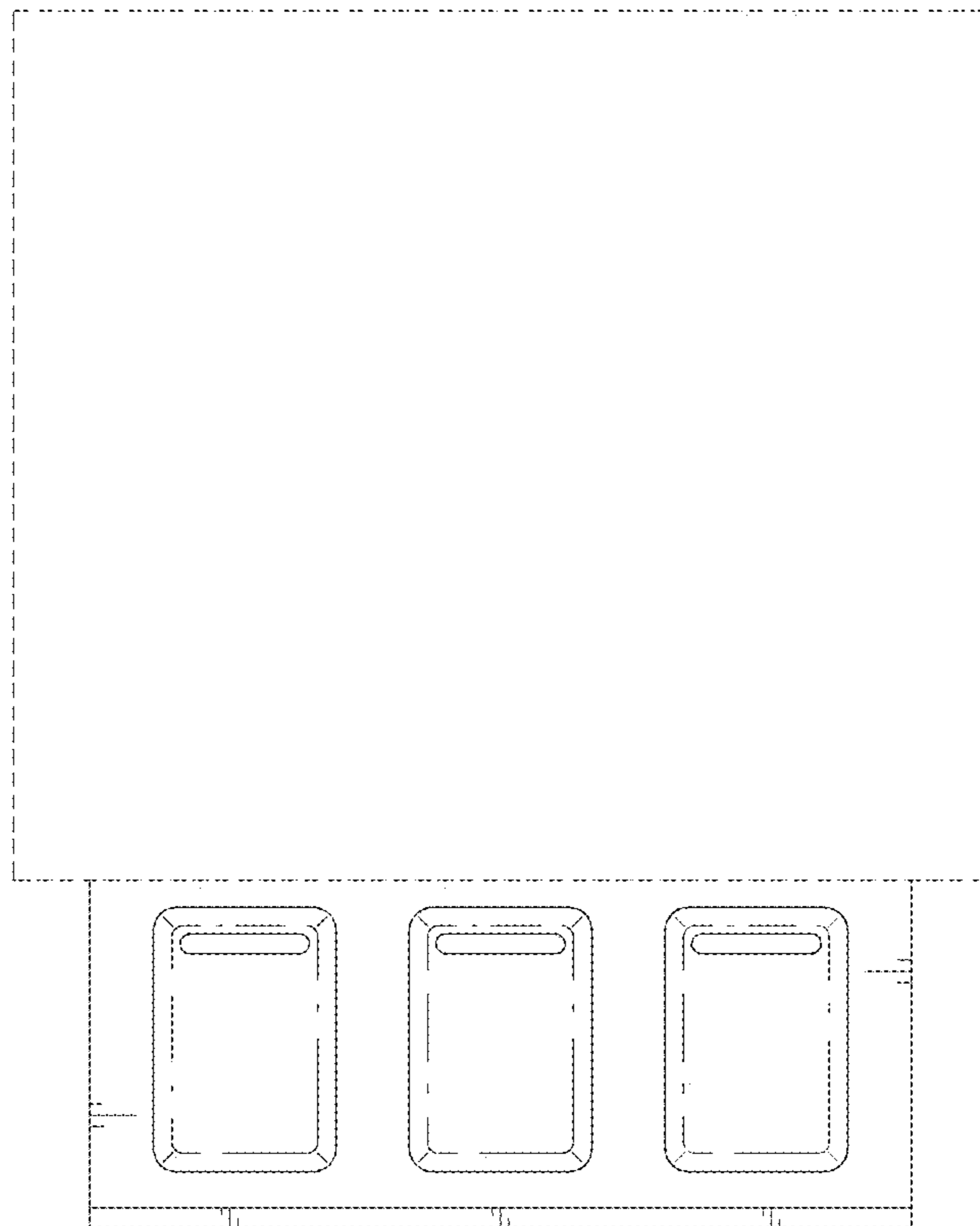


FIG. 11

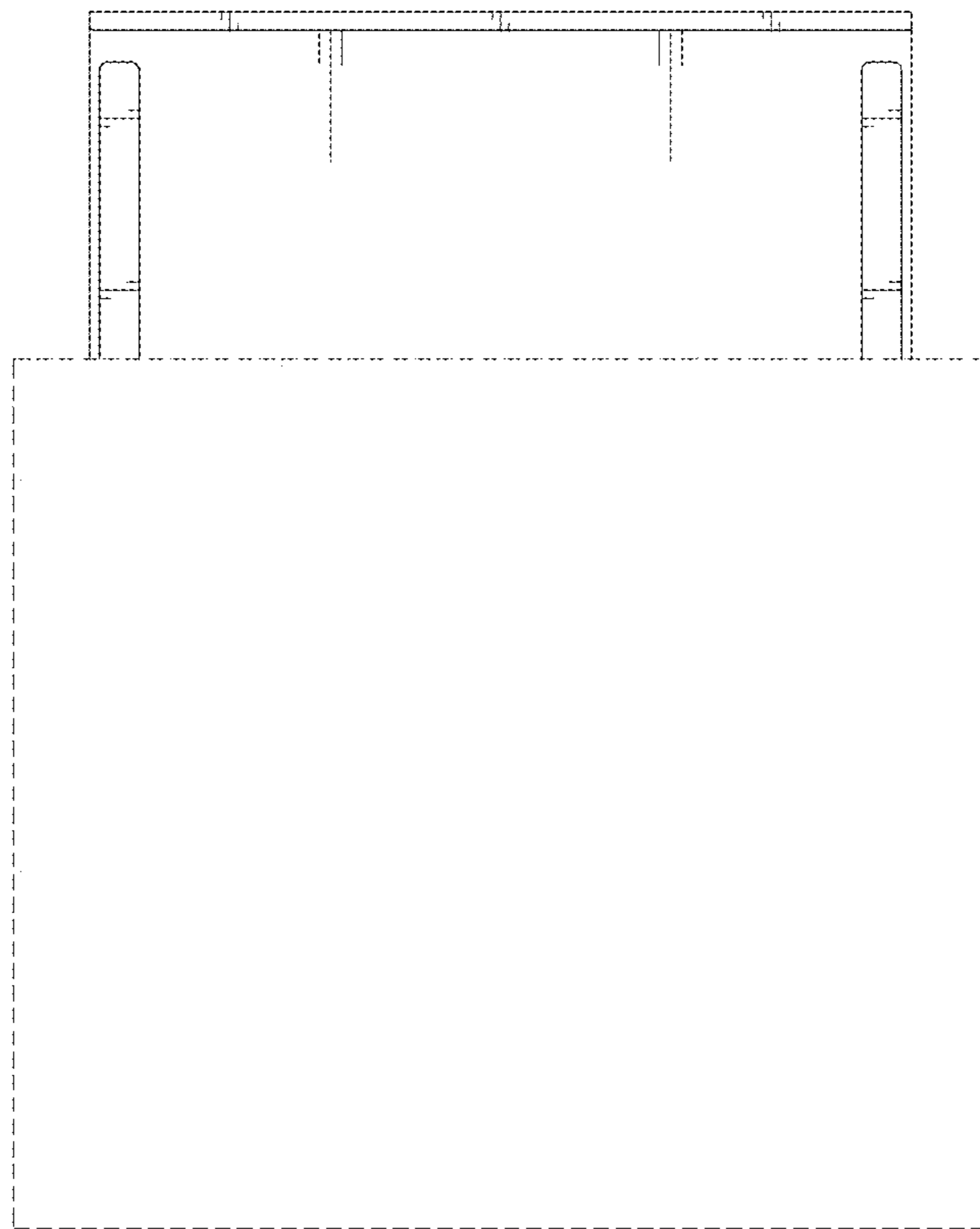


FIG. 12

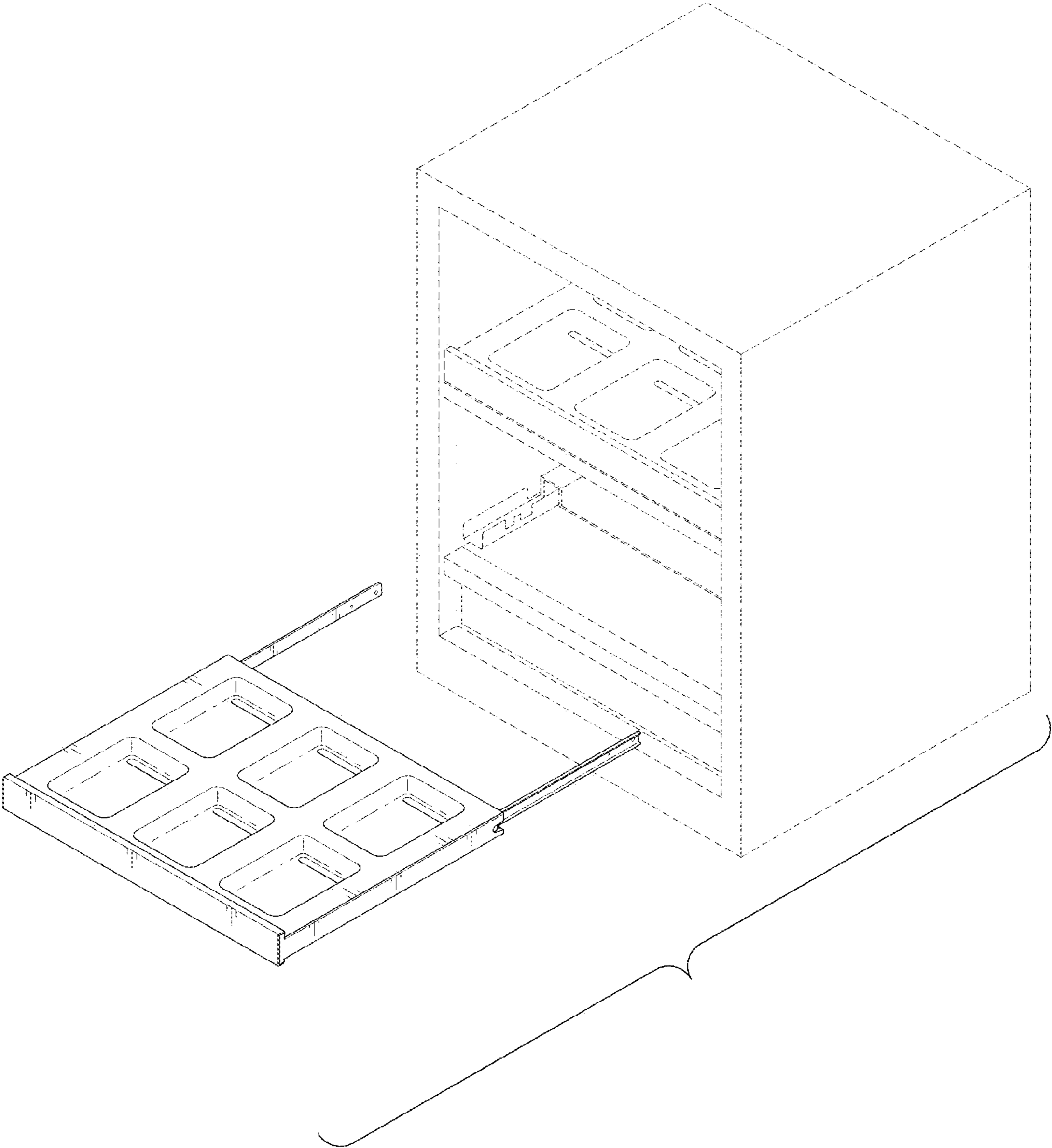


FIG. 13

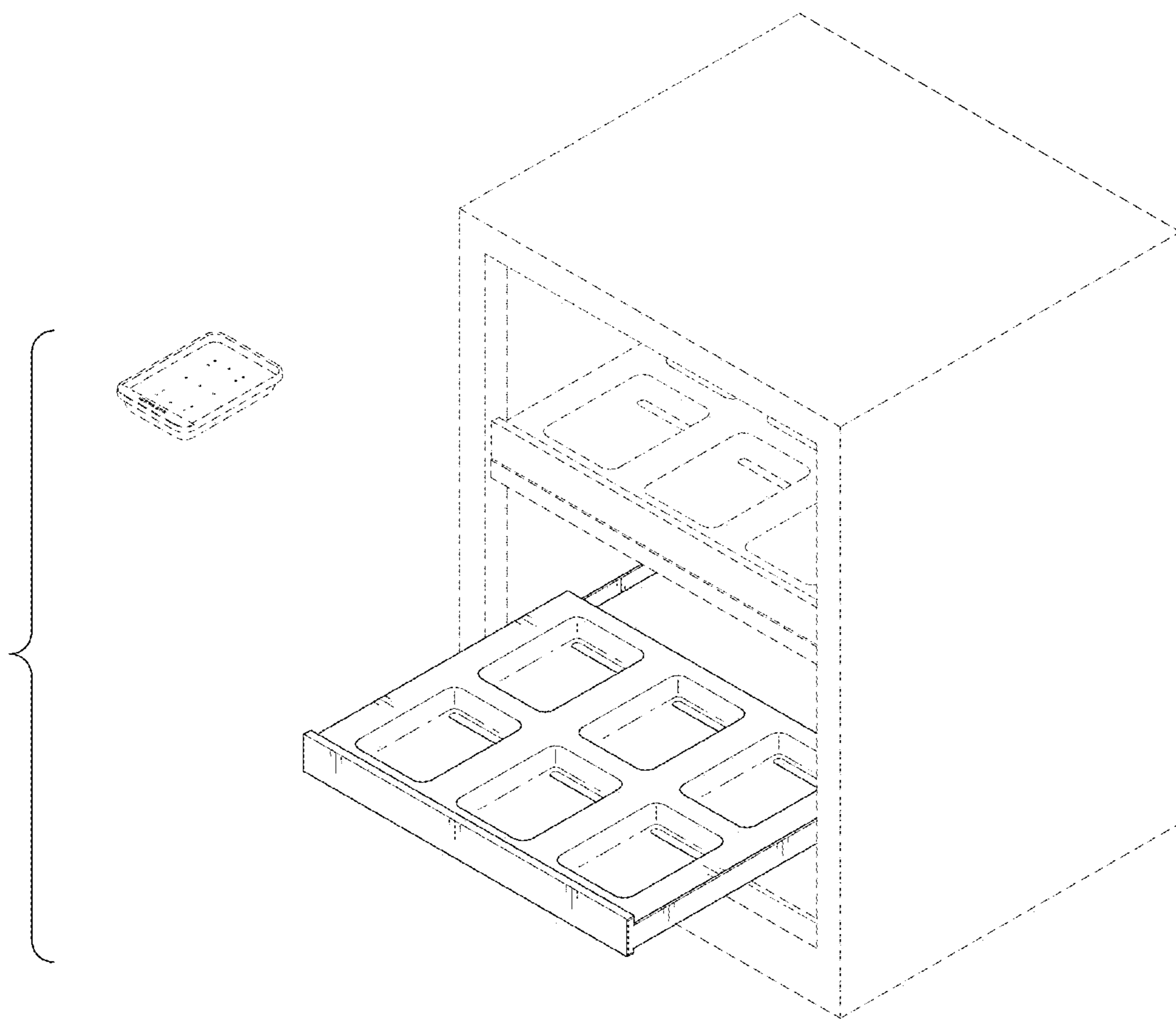


FIG. 14

