



US00D909238S

(12) **United States Design Patent**  
**Choi et al.**

(10) **Patent No.:** **US D909,238 S**

(45) **Date of Patent:** **\*\* Feb. 2, 2021**

- (54) **POD FOR PLANT CULTIVATOR**
- (71) Applicant: **LG ELECTRONICS INC.**, Seoul (KR)
- (72) Inventors: **Kyukwan Choi**, Seoul (KR); **Sunil Cho**, Seoul (KR); **Joosang Kim**, Seoul (KR); **Minsub Kim**, Seoul (KR)
- (73) Assignee: **LG Electronics Inc.**, Seoul (KR)
- (\*\*) Term: **15 Years**
- (21) Appl. No.: **29/697,544**
- (22) Filed: **Jul. 9, 2019**
- (30) **Foreign Application Priority Data**

Jan. 9, 2019 (WO) ..... WIPO78886

- (51) **LOC (13) Cl.** ..... **11-02**
- (52) **U.S. Cl.**  
USPC ..... **D11/155**
- (58) **Field of Classification Search**  
USPC ..... D11/143-156, 164; D6/403, 404, 405, D6/677.3, 678.2; D7/553.3, 554.3  
CPC ..... A01G 9/021; A01G 9/022; A01G 9/0293; A01G 9/0295; A01G 9/027; A01G 9/029; A01G 9/08; A01G 9/16; A47G 7/00; A47G 7/02; A47G 7/041; A47G 7/044; A47G 7/047; A47G 7/06; A47G 7/08  
See application file for complete search history.

(56) **References Cited**

**U.S. PATENT DOCUMENTS**

- 1,237,699 A \* 8/1917 Rissling ..... A47G 7/044 248/226.11
- D207,406 S \* 4/1967 Van Meter ..... D7/357
- D212,437 S \* 10/1968 Stone ..... D11/156
- D214,523 S \* 6/1969 Stone ..... D7/553.3

- 3,707,806 A \* 1/1973 Toews ..... G09F 1/04 47/87
- D229,329 S \* 11/1973 Jansen ..... D11/156
- D241,763 S \* 10/1976 Gottrogen ..... D11/156
- D245,241 S \* 8/1977 Robinson ..... D11/155
- D259,777 S \* 7/1981 Ehrreich ..... D11/155
- D261,715 S \* 11/1981 Daenen ..... D7/586
- D288,396 S \* 2/1987 Ritman ..... D7/554.3
- D333,944 S \* 3/1993 Denzin ..... D7/392.1
- D415,935 S \* 11/1999 Martinez ..... D7/602
- D434,265 S \* 11/2000 Tatlow ..... D7/323
- D462,231 S \* 9/2002 Kari ..... D7/354
- D493,670 S \* 8/2004 De Neubourg ..... D7/554.3
- D639,000 S \* 5/2011 Weber ..... D30/161
- D653,496 S \* 2/2012 Henry ..... D7/354
- D702,483 S \* 4/2014 Green ..... D7/354

(Continued)

*Primary Examiner* — Elizabeth A. Albert

(74) *Attorney, Agent, or Firm* — Birch, Stewart, Kolasch & Birch, LLP

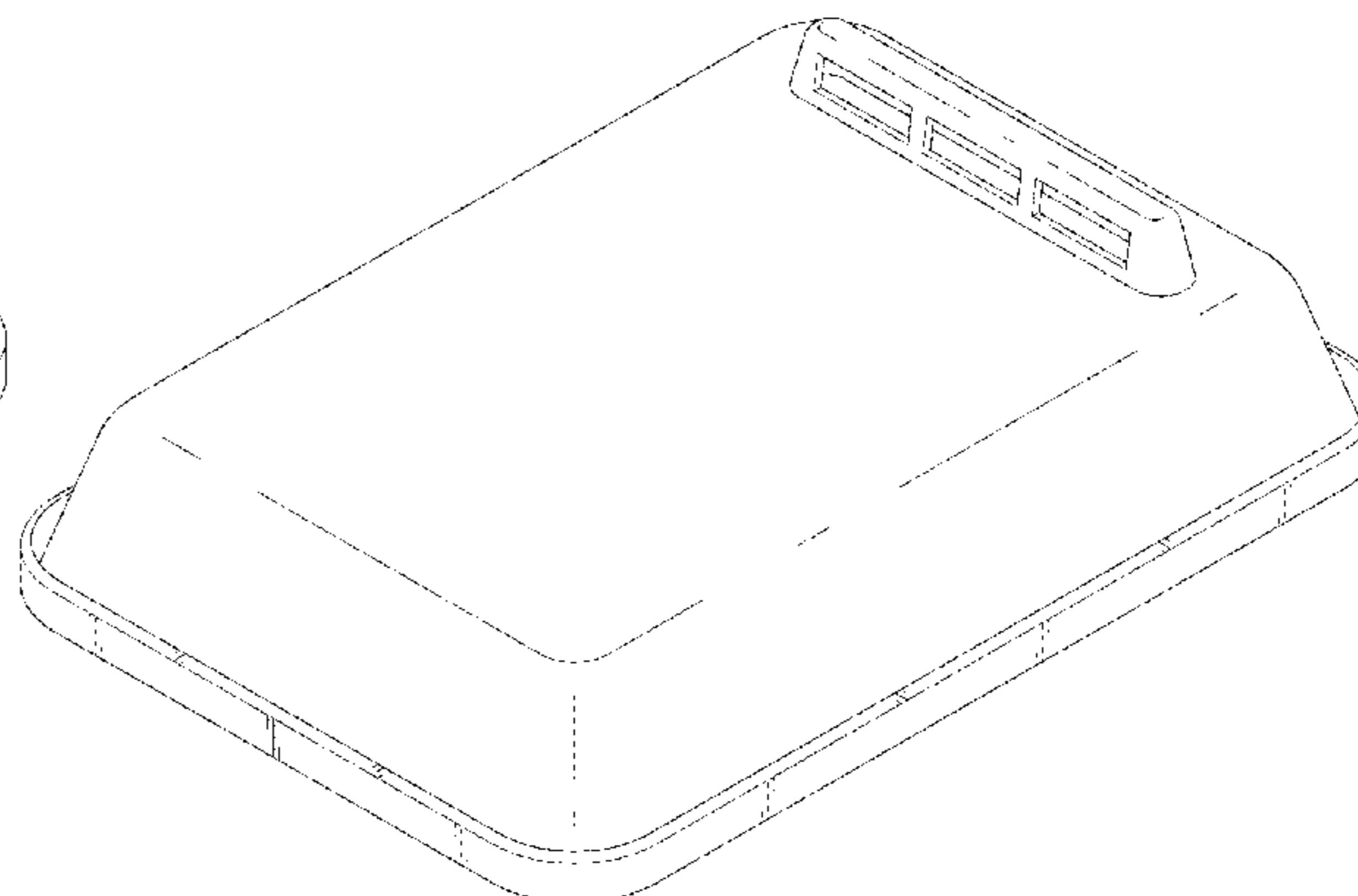
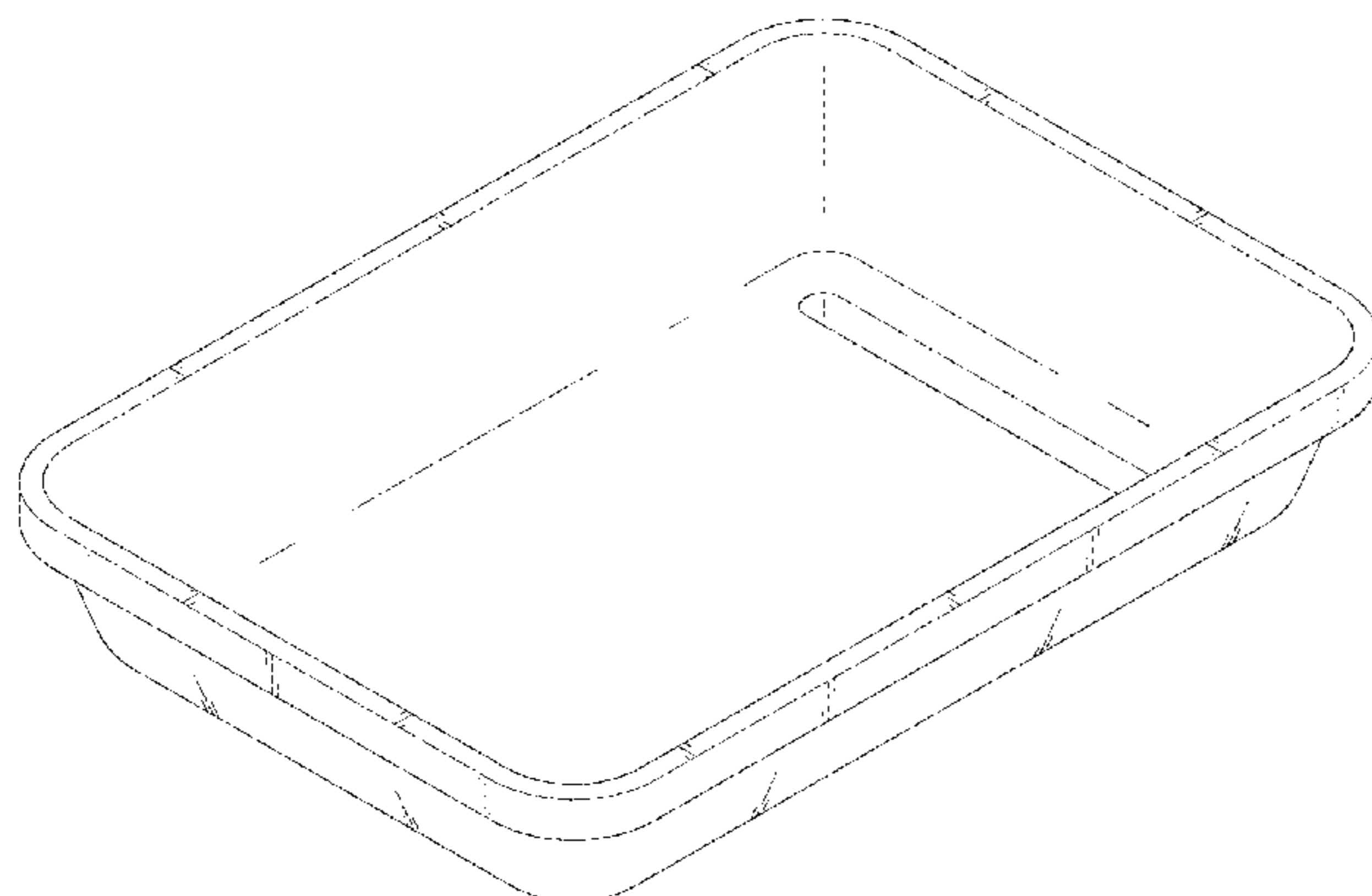
(57) **CLAIM**

The ornamental design for a pod for plant cultivator, as shown and described.

**DESCRIPTION**

FIG. 1 is a top perspective view of a pod for plant cultivator showing our new design;  
 FIG. 2 is a front view thereof;  
 FIG. 3 is a rear view thereof;  
 FIG. 4 is a left side view thereof where the right side view is a mirror image;  
 FIG. 5 is a top plan view thereof;  
 FIG. 6 is a bottom plan view thereof;  
 FIG. 7 is a bottom perspective view thereof;  
 FIG. 8 is also a perspective view thereof;  
 FIG. 9 is another perspective view thereof; and,  
 FIG. 10 is an exploded perspective view thereof.  
 The broken lines are included to show portions of the pod for plant cultivator and the plant cultivator that form no part of the claimed design.

**1 Claim, 10 Drawing Sheets**



(56)

**References Cited**

U.S. PATENT DOCUMENTS

D743,641 S *	11/2015	Jones	.....	D30/161
D751,349 S *	3/2016	Carlson	.....	D7/629
D792,759 S *	7/2017	Foster	.....	D9/424
D819,409 S *	6/2018	Newton	.....	D7/554.3
D820,629 S *	6/2018	Lum	.....	D7/354
D834,314 S *	11/2018	Nicoline	.....	D3/304
D840,052 S *	2/2019	Fawdington	.....	D24/227
D891,777 S *	8/2020	Newton	.....	D3/304
D891,778 S *	8/2020	Stevens	.....	D3/304
2009/0321297 A1 *	12/2009	Sundblad	.....	D21J 7/00 206/563
2010/0038274 A1 *	2/2010	Segal	.....	B65D 1/34 206/505

\* cited by examiner

FIG. 1

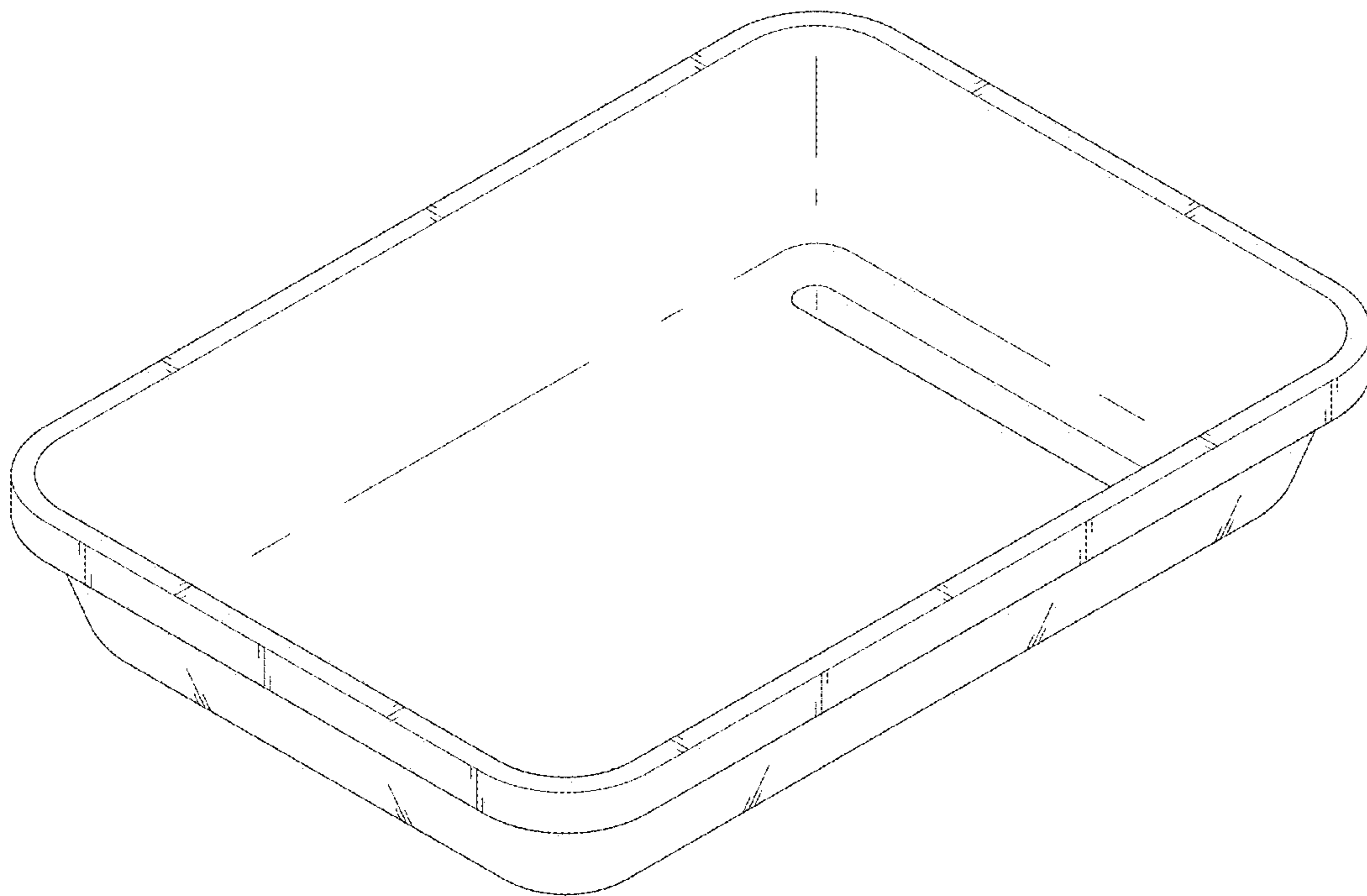


FIG. 2

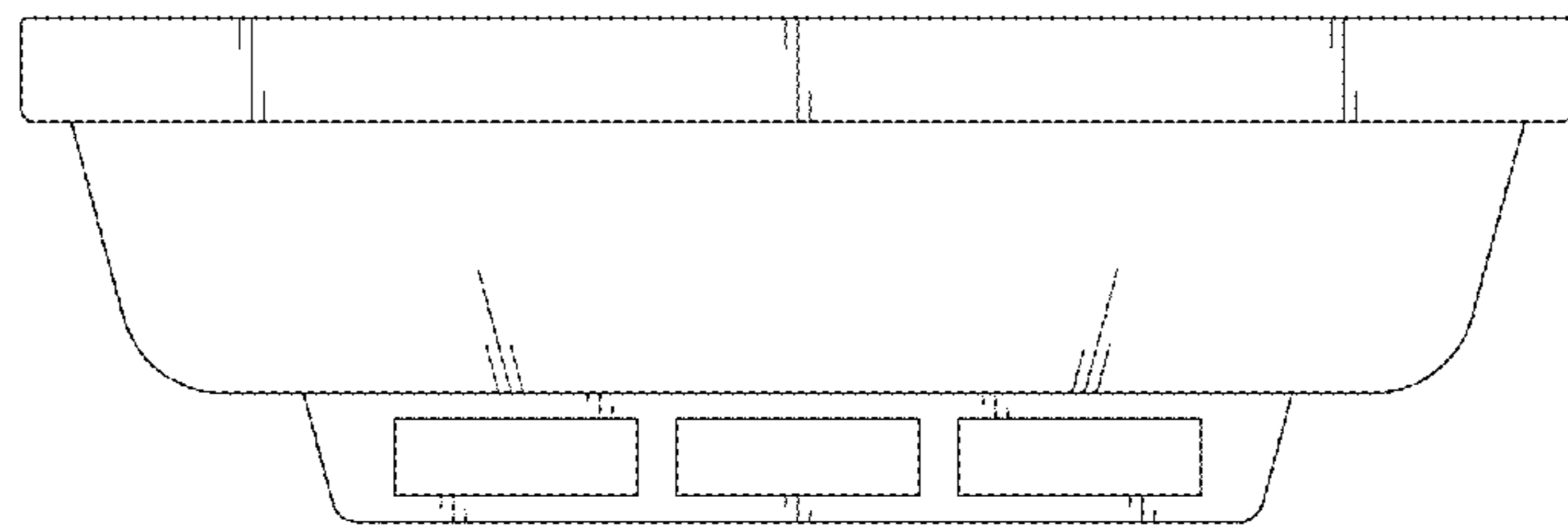


FIG. 3

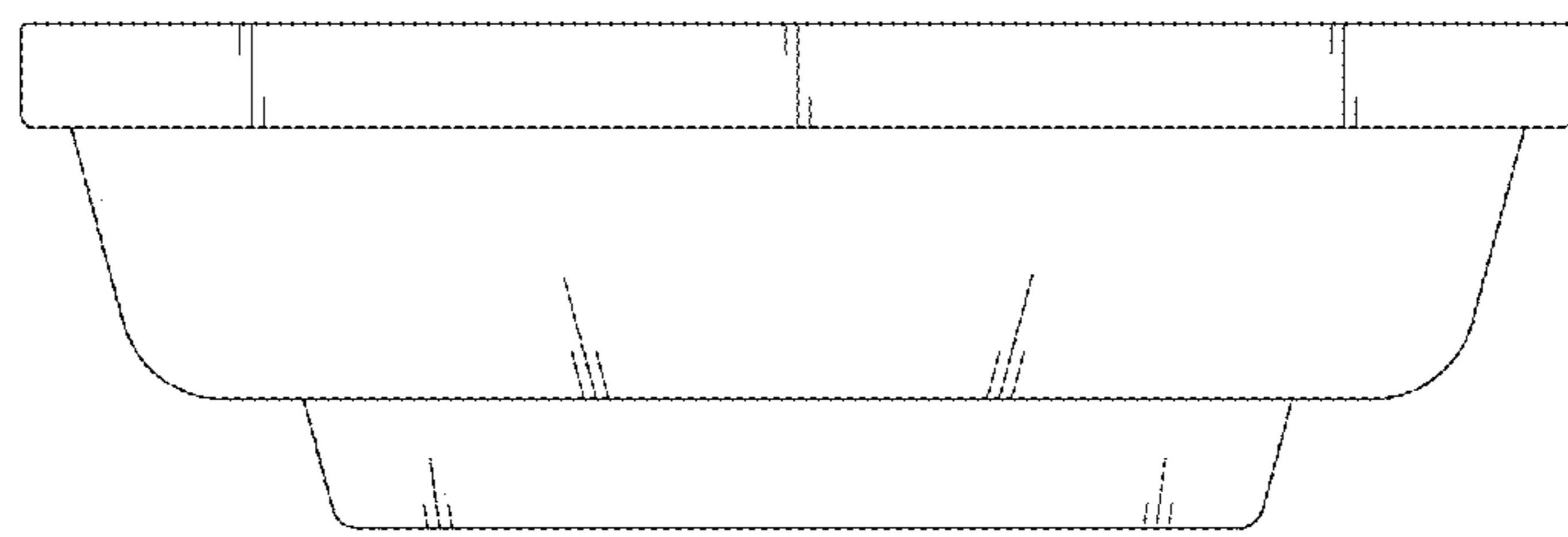


FIG. 4

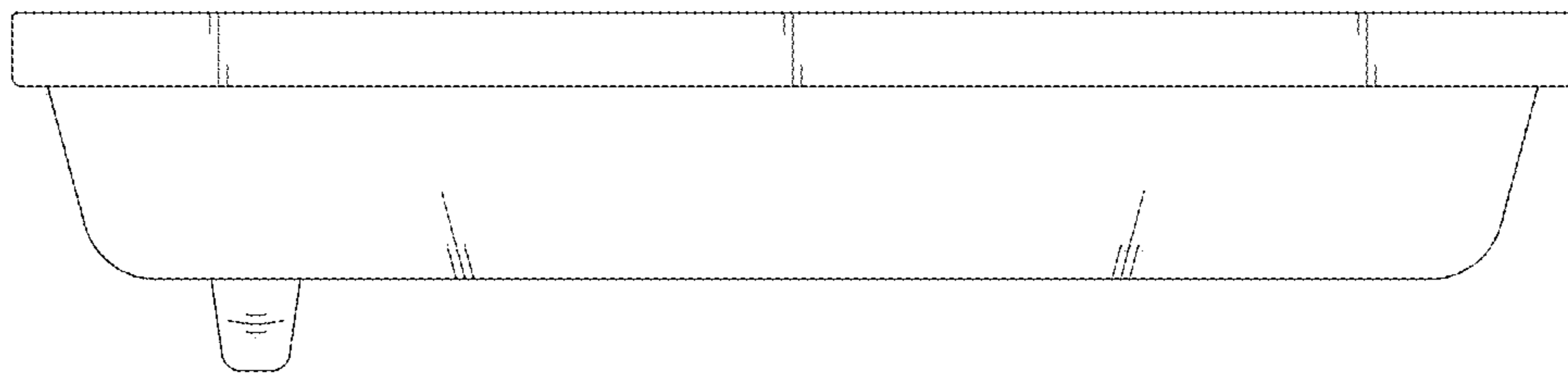


FIG. 5

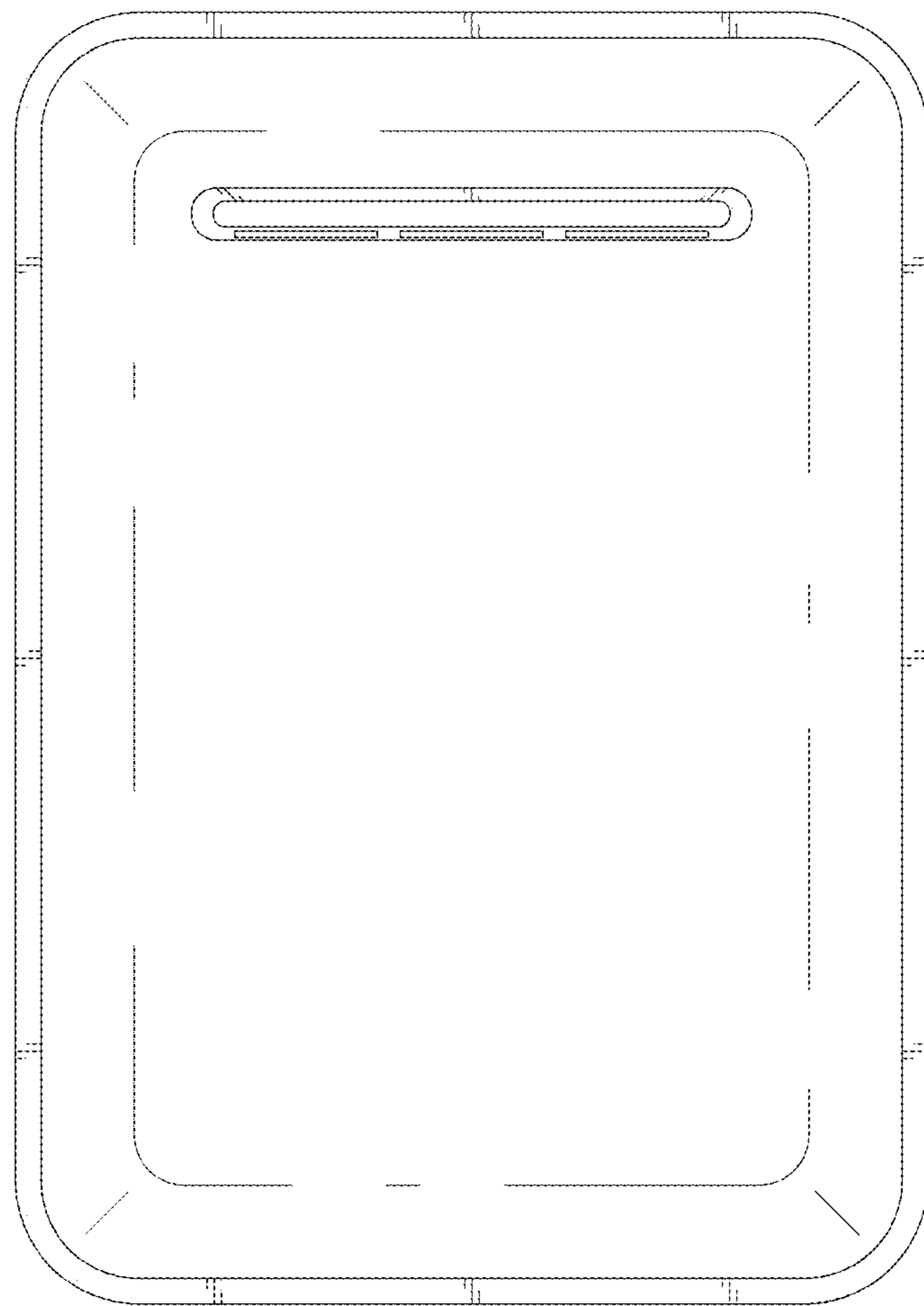


FIG. 6

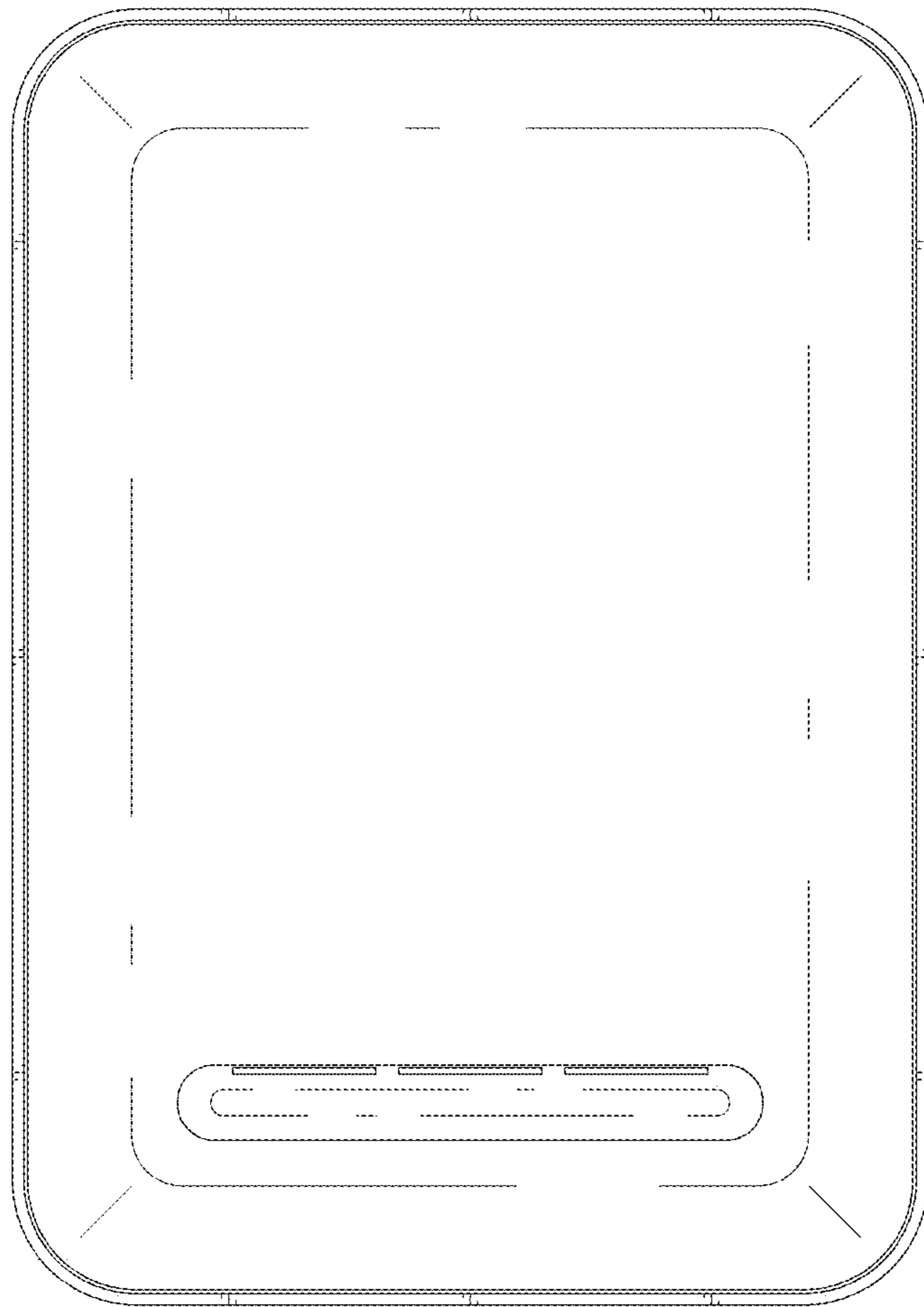




FIG. 7

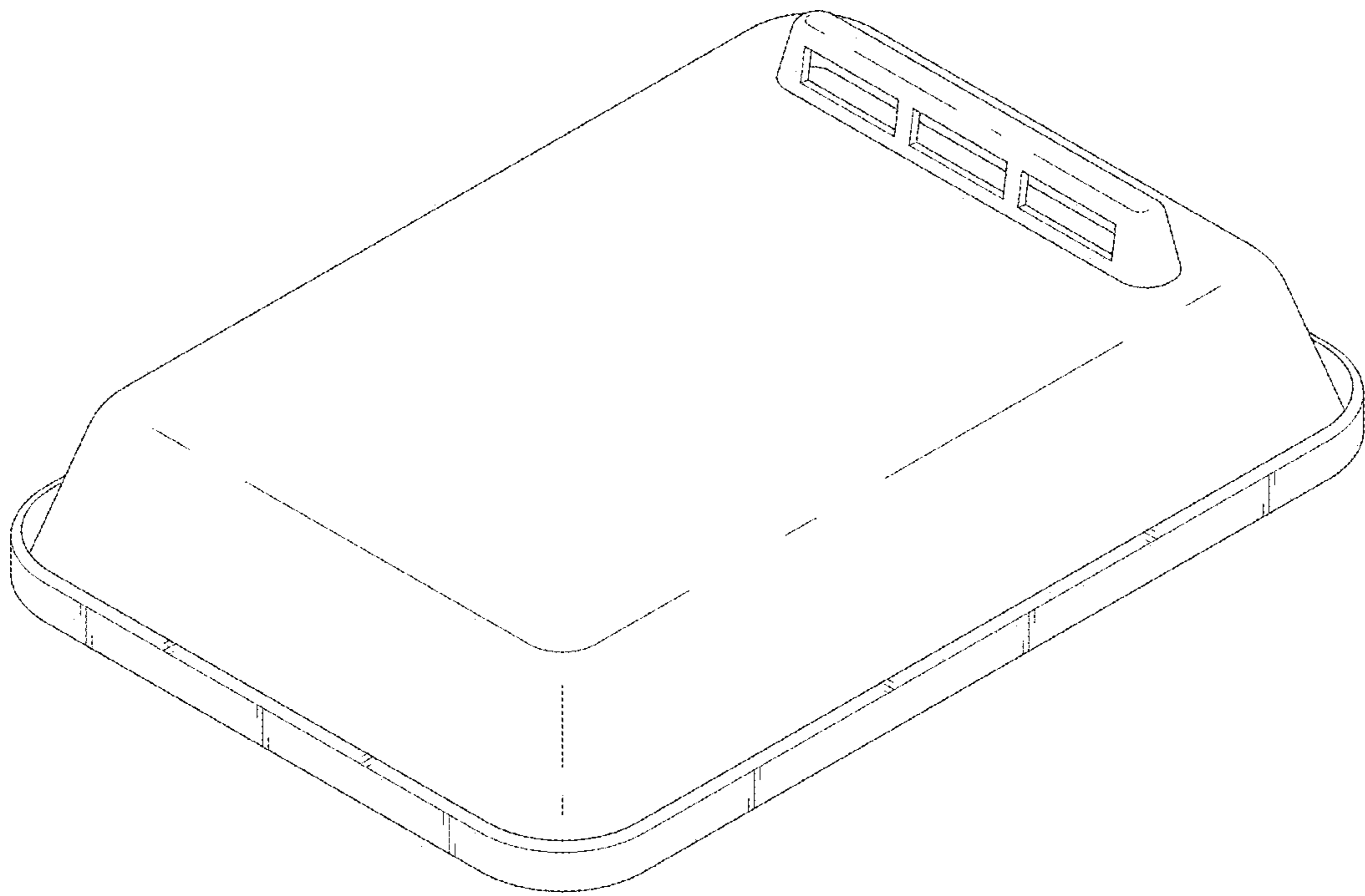


FIG. 8

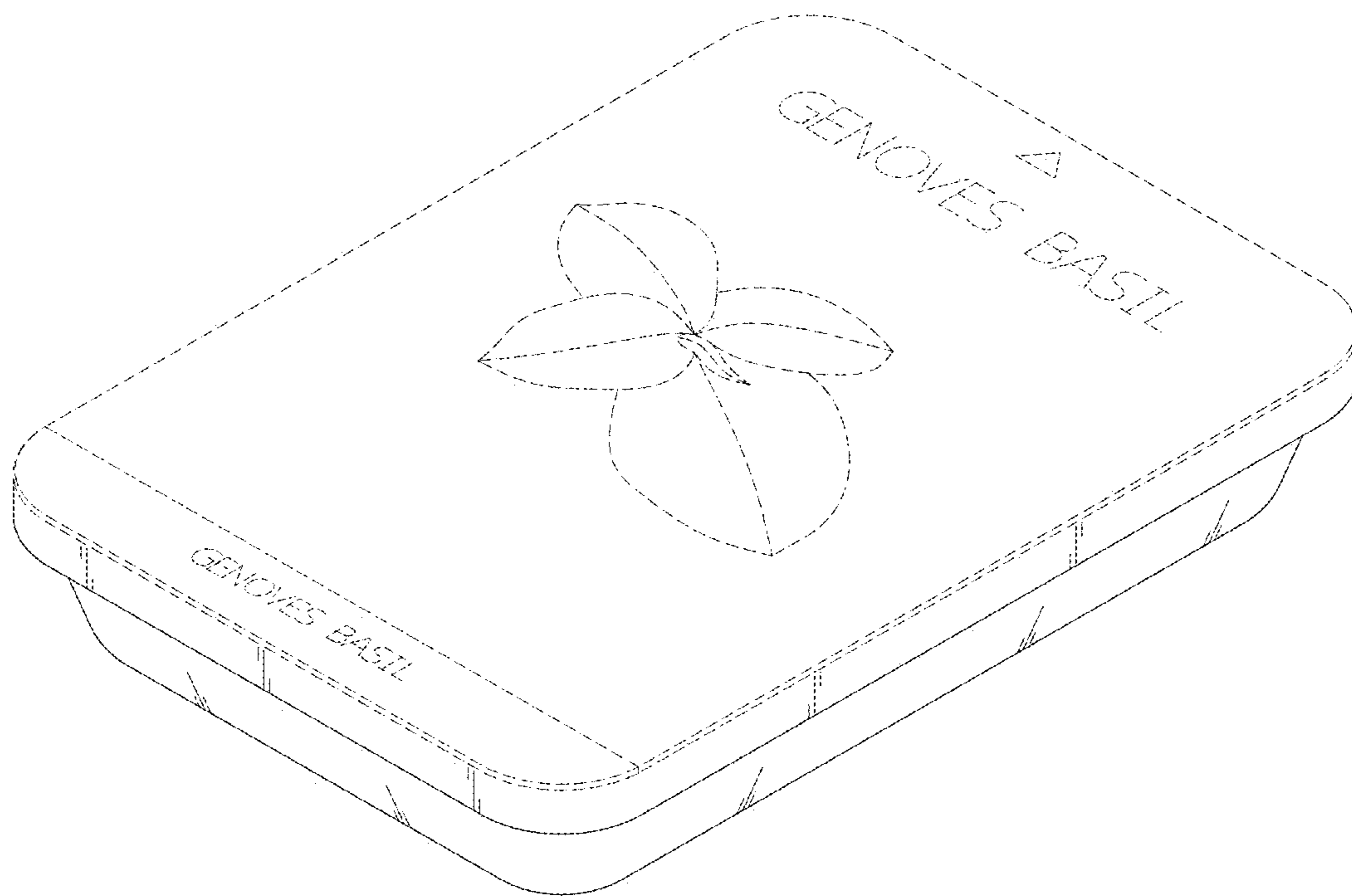


FIG. 9

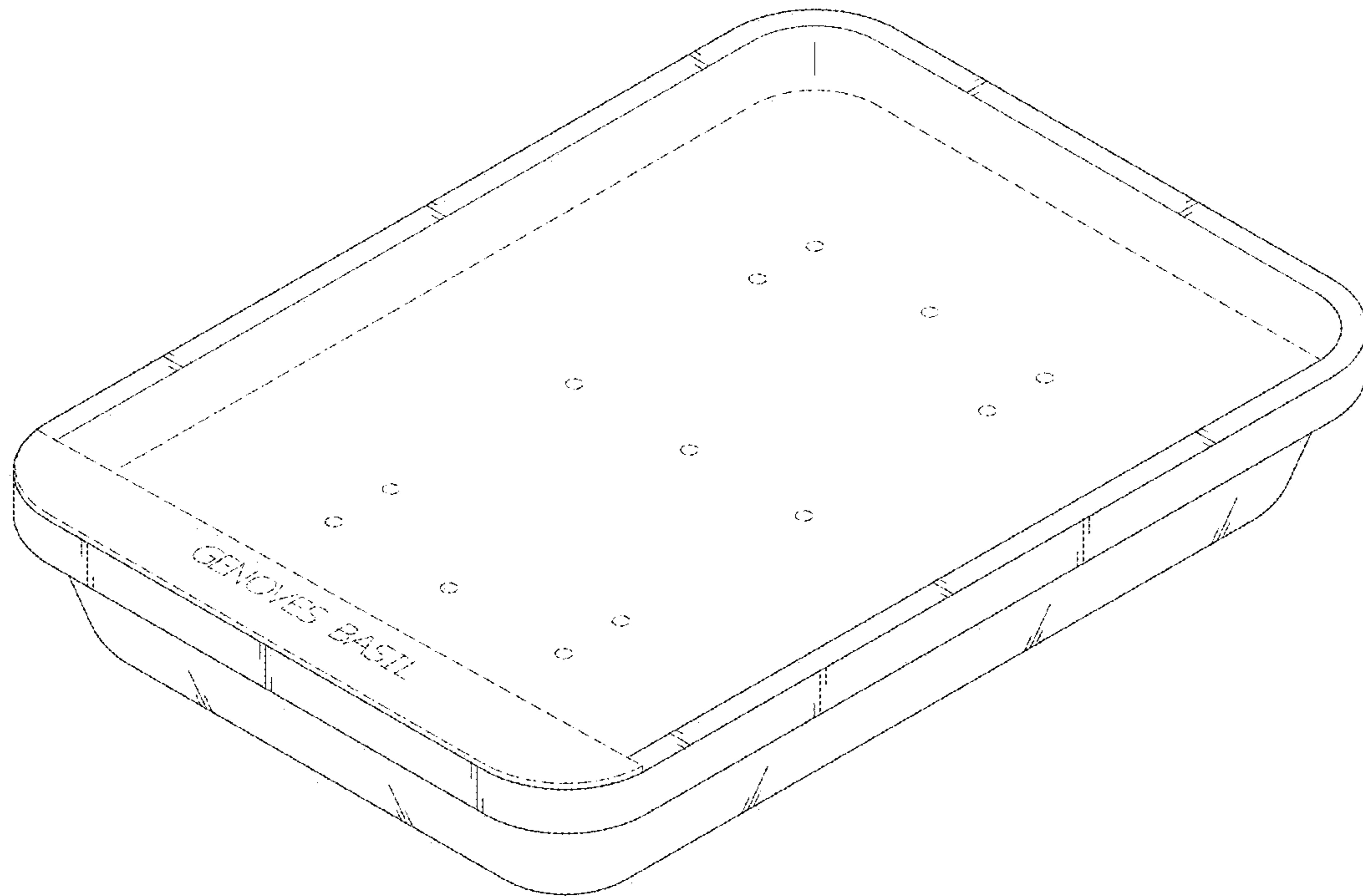


FIG. 10

