



US00D909237S

(12) **United States Design Patent**  
**Tinapple**

(10) **Patent No.:** **US D909,237 S**

(45) **Date of Patent:** **\*\* Feb. 2, 2021**

(54) **PLANTER**  
(71) Applicant: **HONEYCOMB GARDEN SYSTEM, LLC**, London, OH (US)  
(72) Inventor: **David E. Tinapple**, London, OH (US)  
(73) Assignee: **Honeycomb Garden System, LLC**, London, OH (US)  
(\*\*) Term: **15 Years**

4,912,876 A \* 4/1990 Ginsberg ..... A01G 9/02  
47/67  
D332,926 S \* 2/1993 Grant ..... D11/149  
D369,121 S \* 4/1996 Morin ..... D11/144  
D428,828 S \* 8/2000 Gutierrez ..... D11/143  
D556,451 S \* 12/2007 McDonald ..... D3/294  
D563,606 S \* 3/2008 Hood ..... D30/129  
D587,452 S \* 3/2009 Bisson ..... D3/272  
D601,452 S \* 10/2009 Billings ..... D11/143  
D714,596 S \* 10/2014 Forno ..... D8/1  
D723,972 S \* 3/2015 Young ..... D11/156  
D814,733 S \* 4/2018 Peterson ..... D34/7  
D825,878 S \* 8/2018 Lewis ..... D34/7

(Continued)

(21) Appl. No.: **29/699,397**  
(22) Filed: **Jul. 25, 2019**  
(51) **LOC (13) Cl.** ..... **11-02**  
(52) **U.S. Cl.**  
USPC ..... **D11/143**  
(58) **Field of Classification Search**  
USPC ..... D11/143–156, 164; D3/304, 306, 312;  
D6/403, 404, 405, 556, 557, 558; D8/1;  
D7/584, 587, 604, 606; D21/815  
CPC . A01G 9/00; A01G 9/02; A01G 9/021; A01G  
9/022; A01G 9/027; A01G 9/029; A01G  
9/085; A01G 9/122; A01G 31/02; A01G  
31/06; A01G 5/04; A47G 7/00; A47G  
7/02; A47G 7/03; A47G 7/06; A47G 7/08  
See application file for complete search history.

Primary Examiner — Elizabeth A. Albert

(74) *Attorney, Agent, or Firm* — Miracle IP; Bryce D. Miracle

(57) **CLAIM**

The ornamental design for a planter, substantially as shown and described.

**DESCRIPTION**

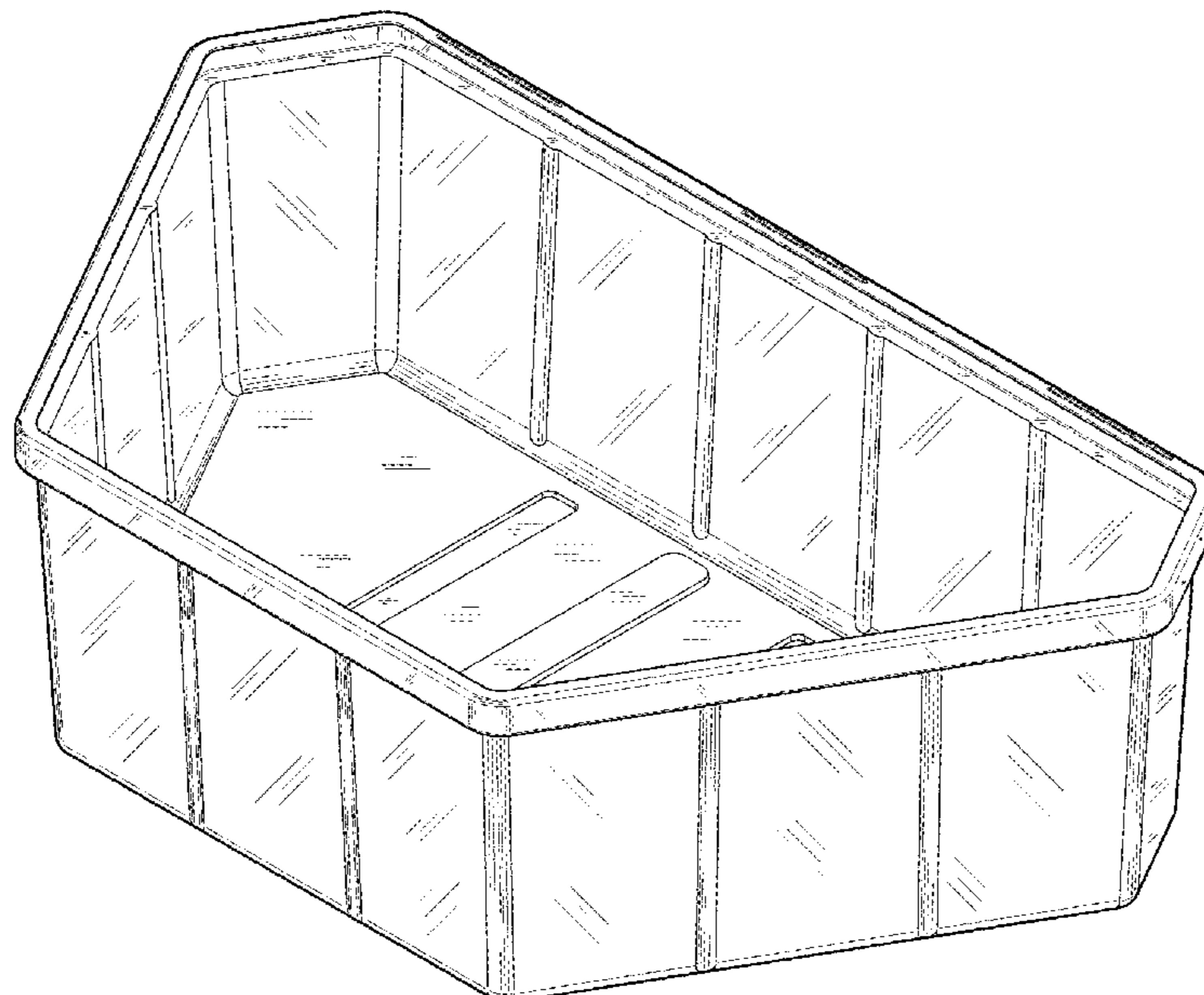
FIG. 1 is a front perspective view of a first embodiment of the planter showing the new design;  
FIG. 2 is a front elevation view thereof;  
FIG. 3 is a rear elevation view thereof;  
FIG. 4 is a top plan view thereof;  
FIG. 5 is a bottom plan view thereof;  
FIG. 6 is an enlarged left side elevation view thereof;  
FIG. 7 is an enlarged right side elevation view thereof;  
FIG. 8 is a front perspective view of a second embodiment of the planter showing the new design;  
FIG. 9 is a front elevation view thereof;  
FIG. 10 is a rear elevation view thereof;  
FIG. 11 is a top plan view thereof;  
FIG. 12 is a bottom plan view thereof;  
FIG. 13 is an enlarged left side elevation view thereof; and,  
FIG. 14 is an enlarged right side elevation view thereof.

(56) **References Cited**

U.S. PATENT DOCUMENTS

D62,987 S \* 9/1923 Green ..... D9/621  
D245,241 S \* 8/1977 Robinson ..... D11/155  
D251,153 S \* 2/1979 Thompson ..... D3/272  
D257,242 S \* 10/1980 Hunter ..... D11/145  
4,355,484 A \* 10/1982 Mandish ..... A01G 31/02  
47/63  
D272,329 S \* 1/1984 Clemmons, Jr. .... D11/147  
D303,231 S \* 9/1989 Mottmiller ..... D11/143

**1 Claim, 8 Drawing Sheets**



(56)

**References Cited**

U.S. PATENT DOCUMENTS

D883,755 S \* 5/2020 Nicholson ..... D7/637  
2007/0084107 A1 \* 4/2007 Ganti ..... A01G 9/02  
47/39

\* cited by examiner

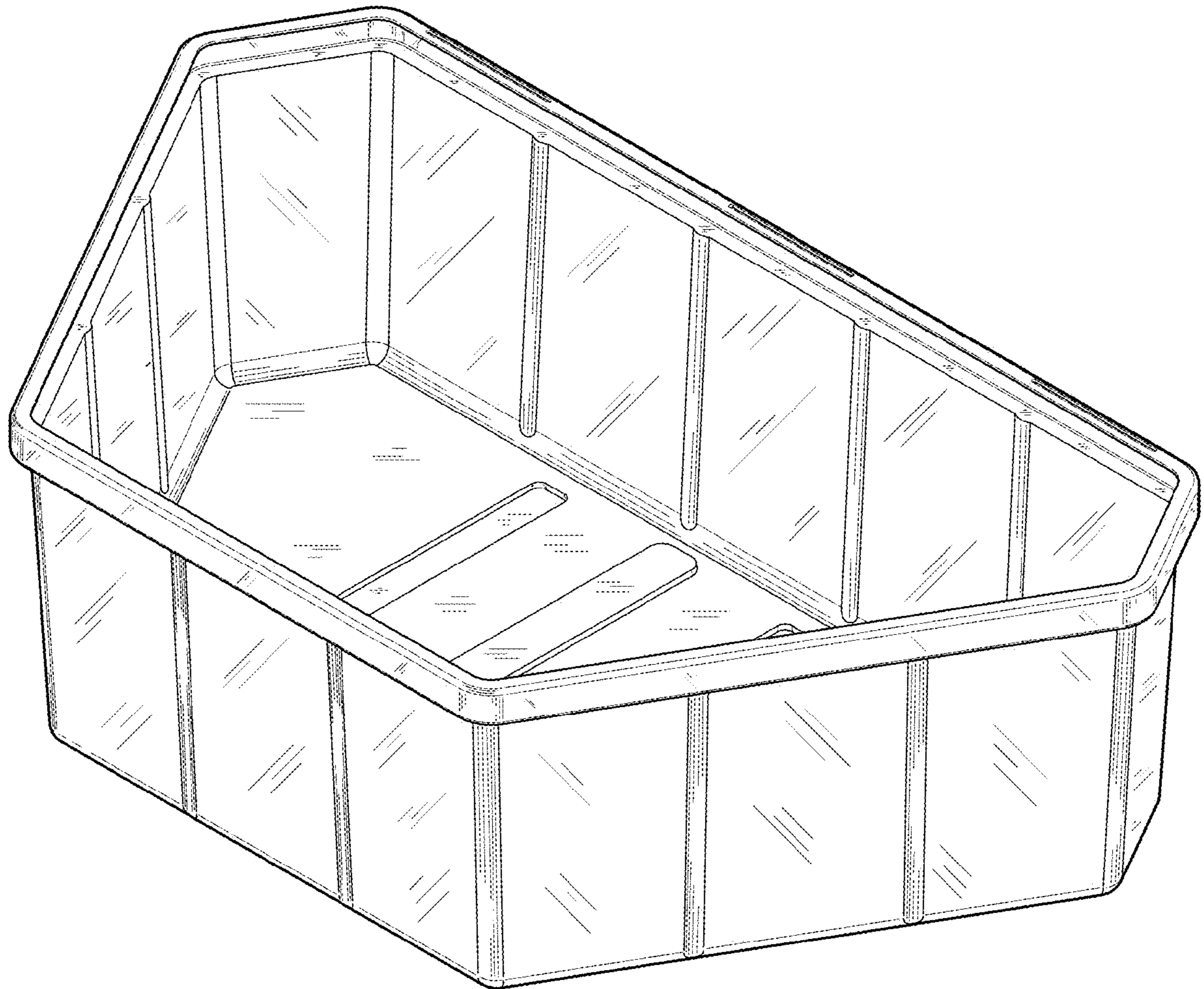


FIG. 1

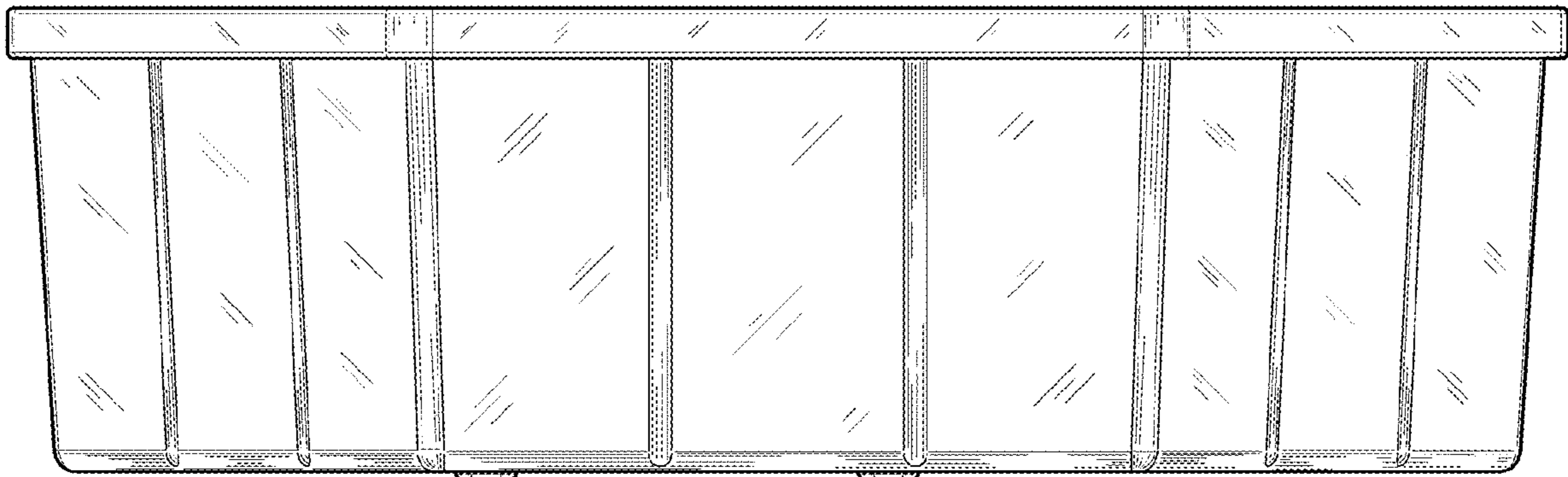


FIG. 2

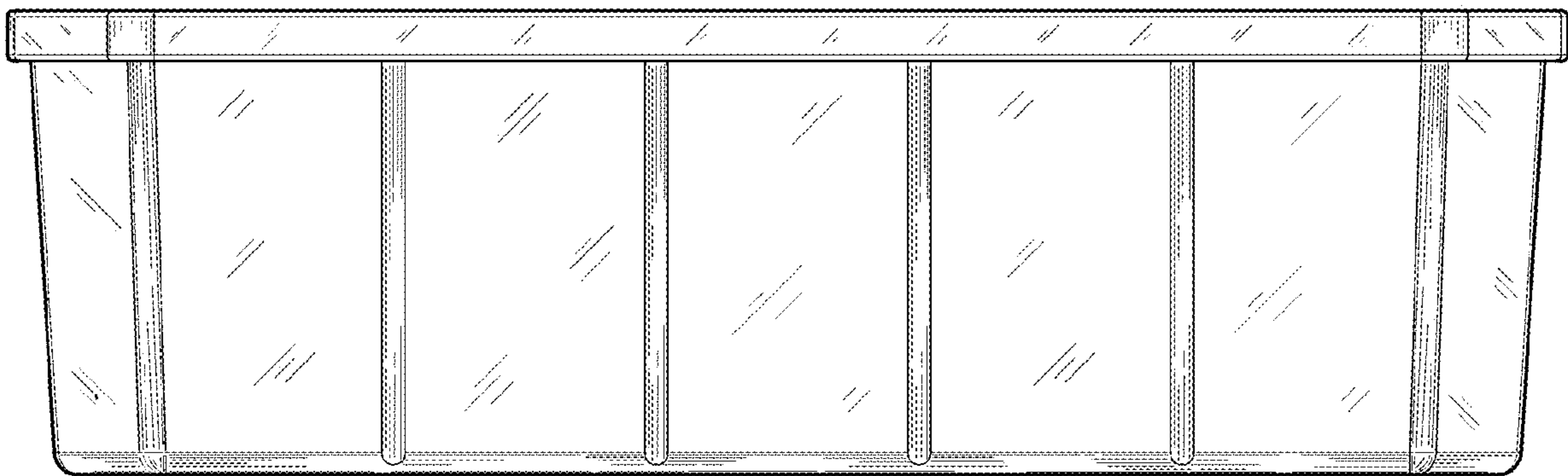


FIG. 3

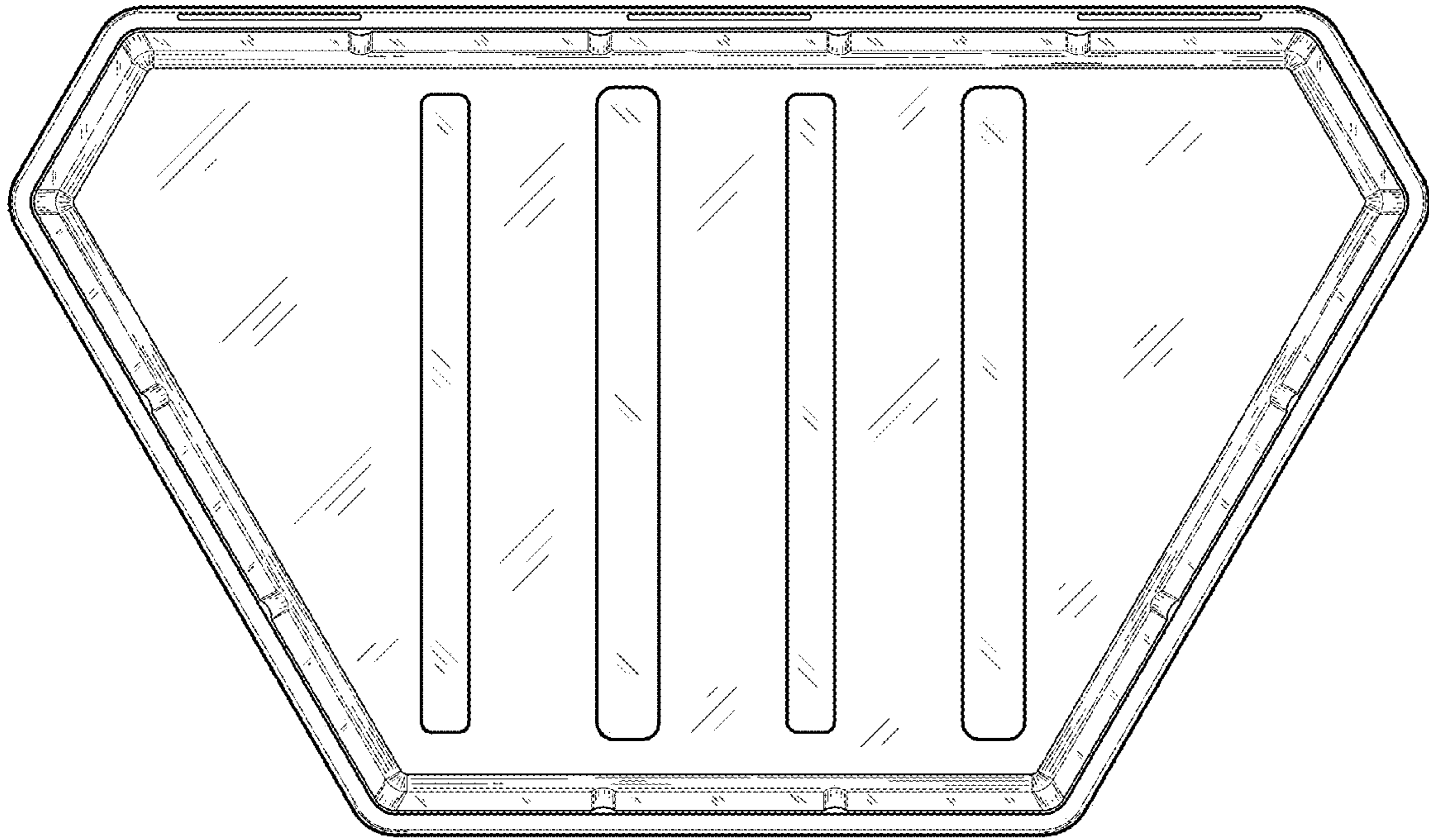


FIG. 4

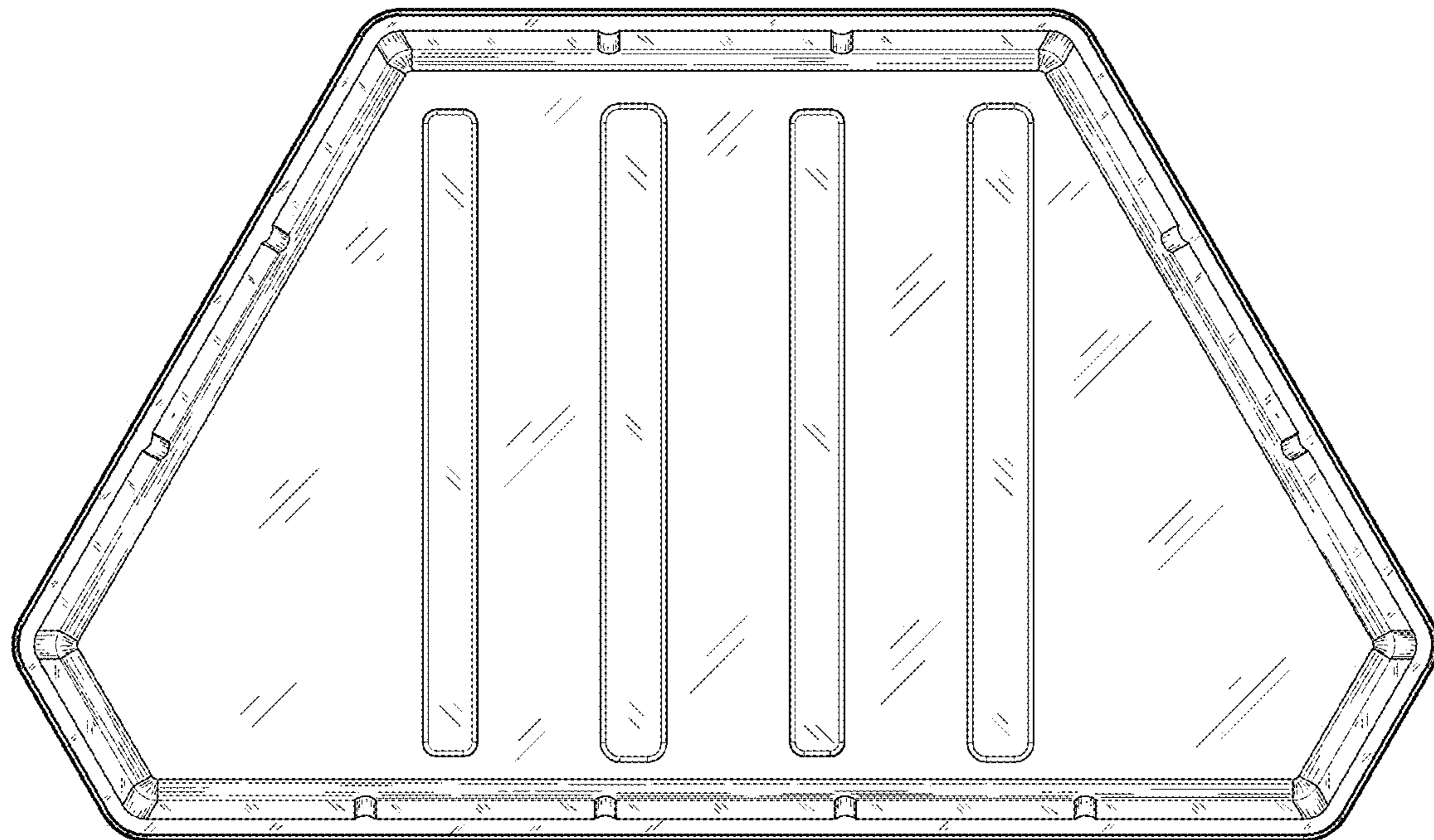


FIG. 5

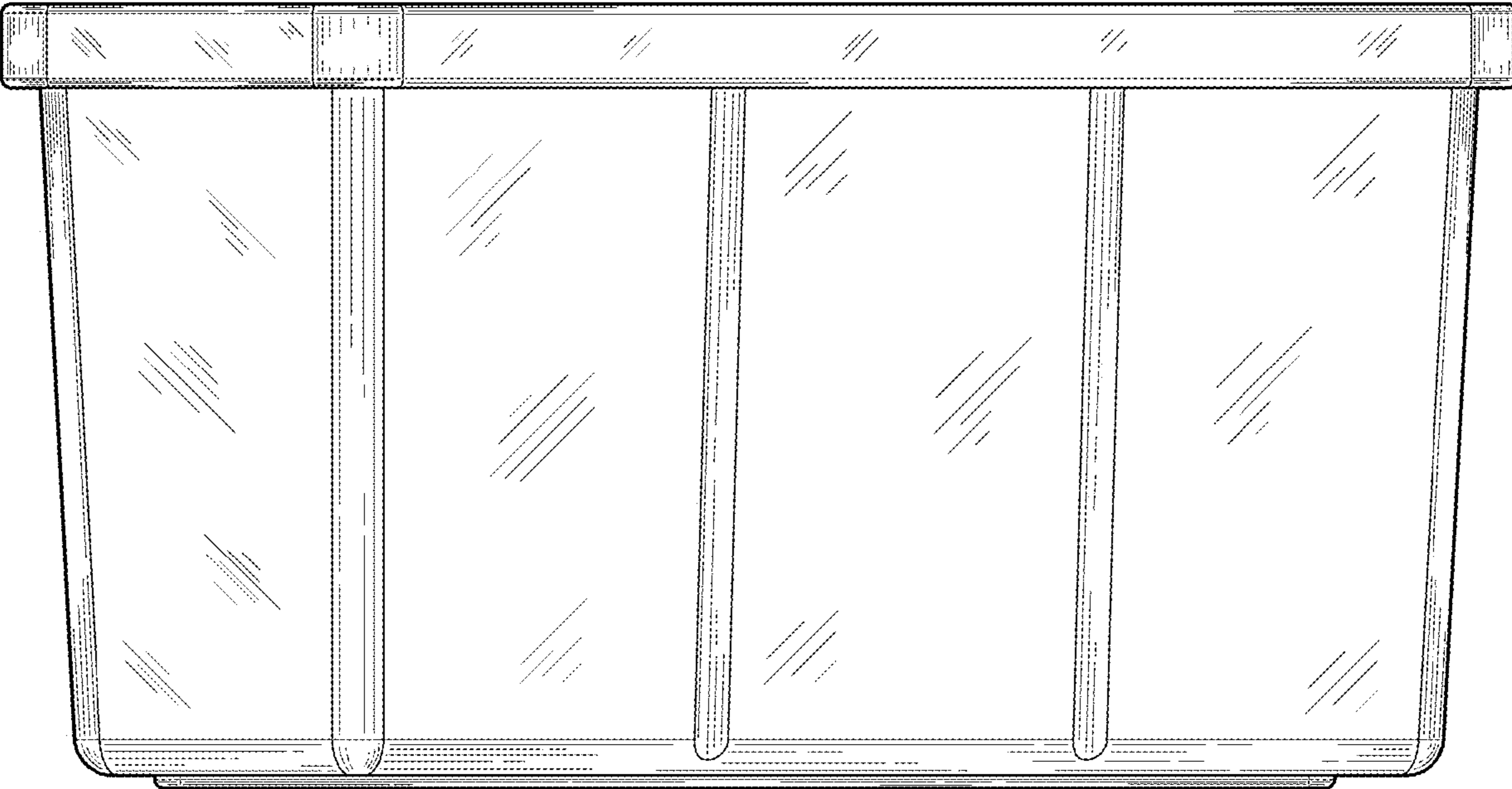


FIG. 6

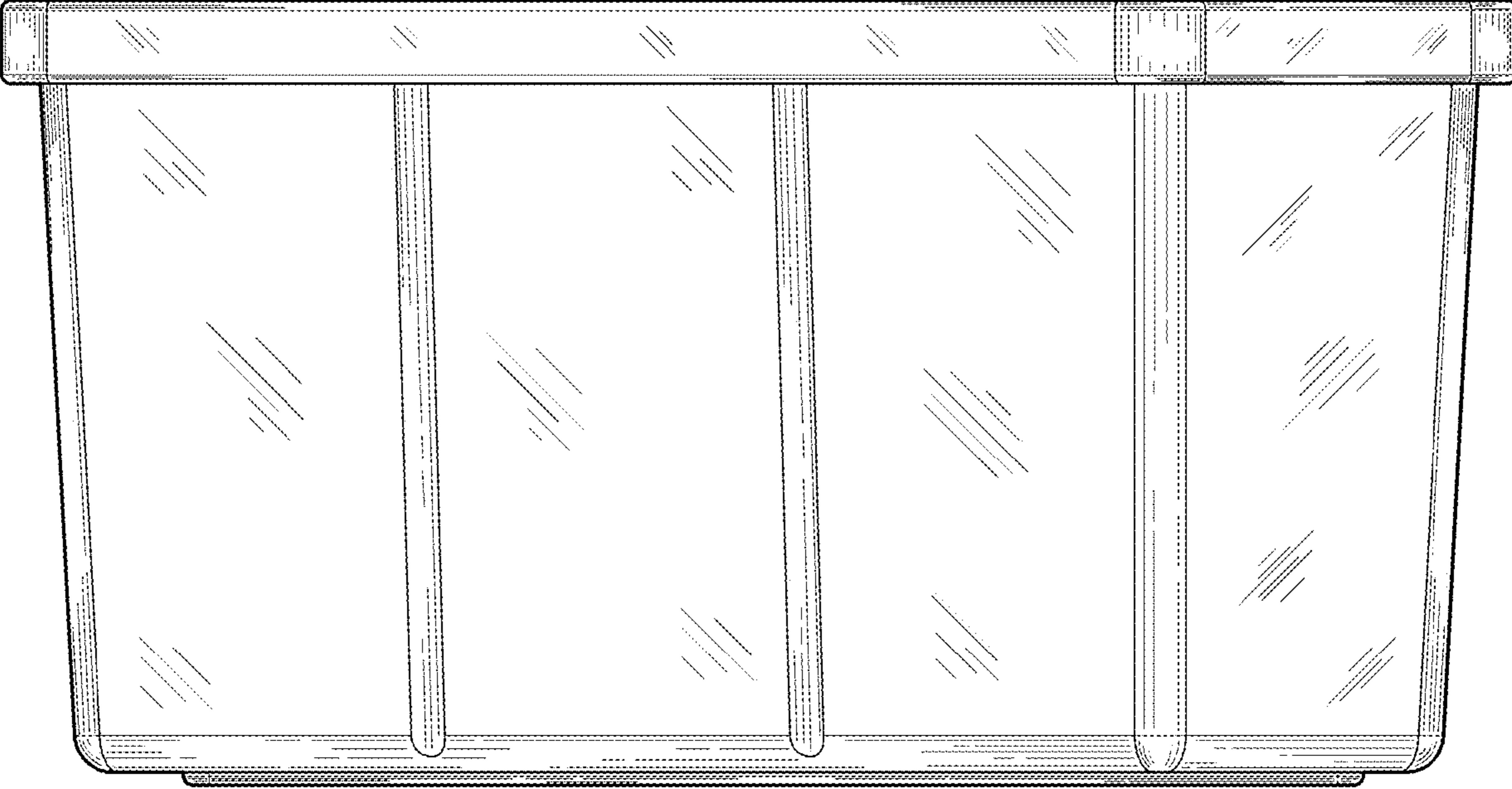


FIG. 7

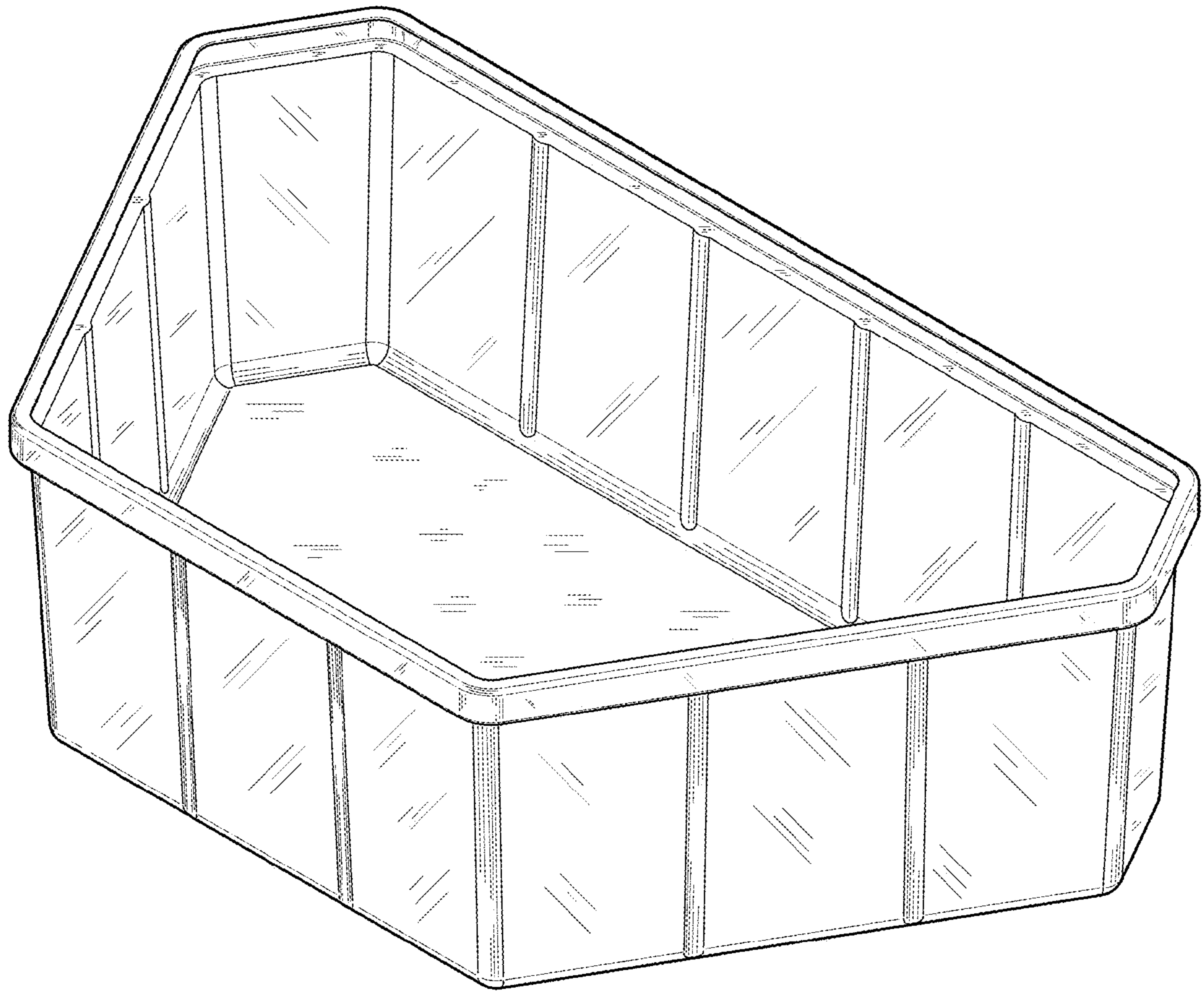


FIG. 8

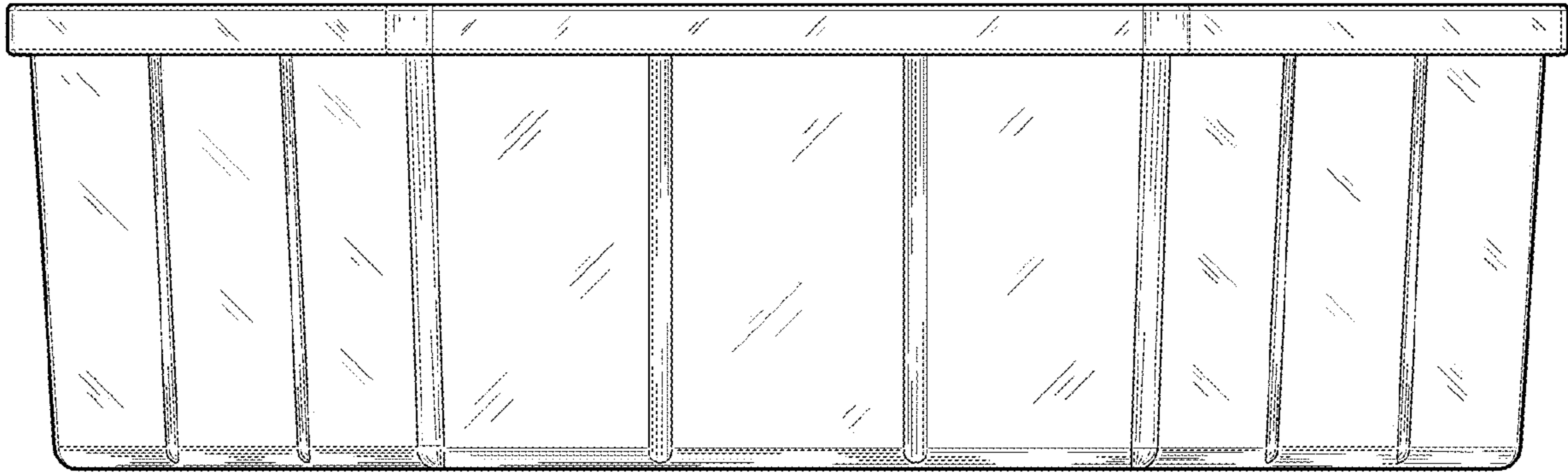


FIG. 9

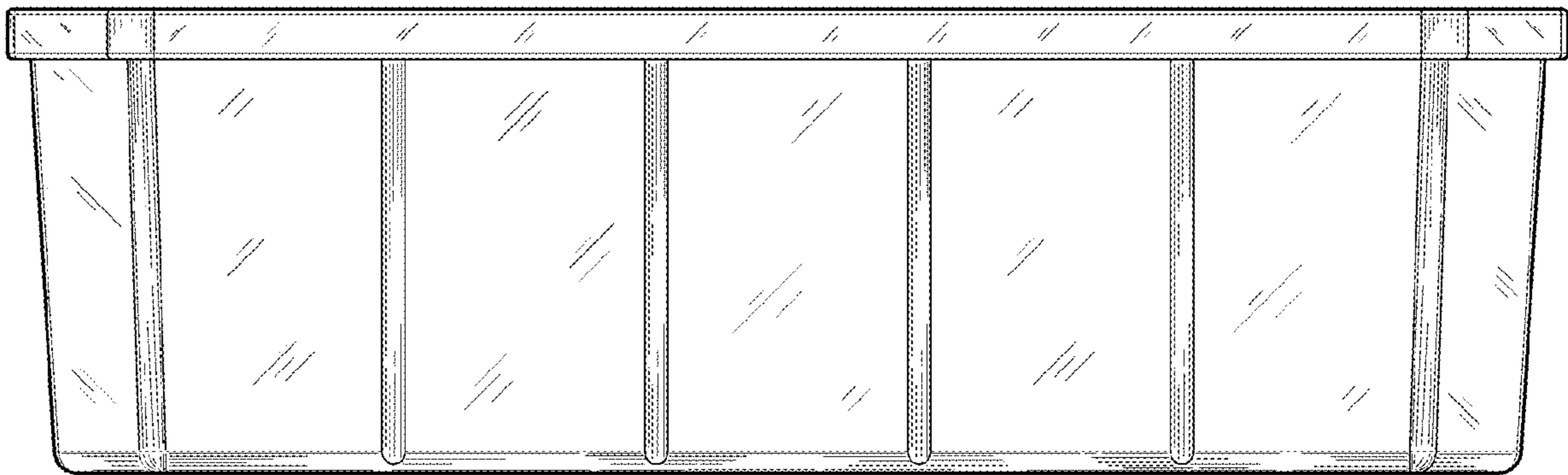


FIG. 10



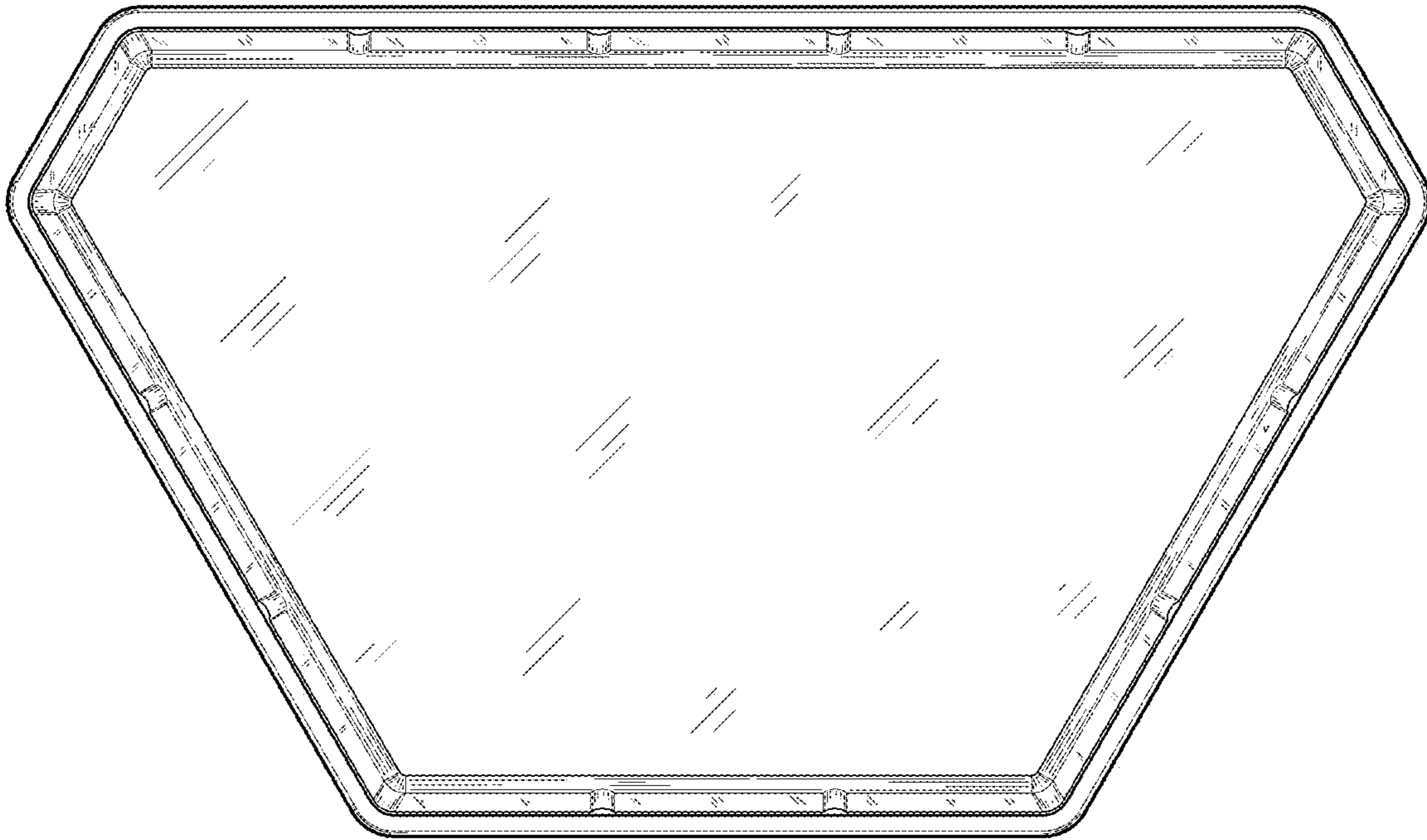


FIG. 11

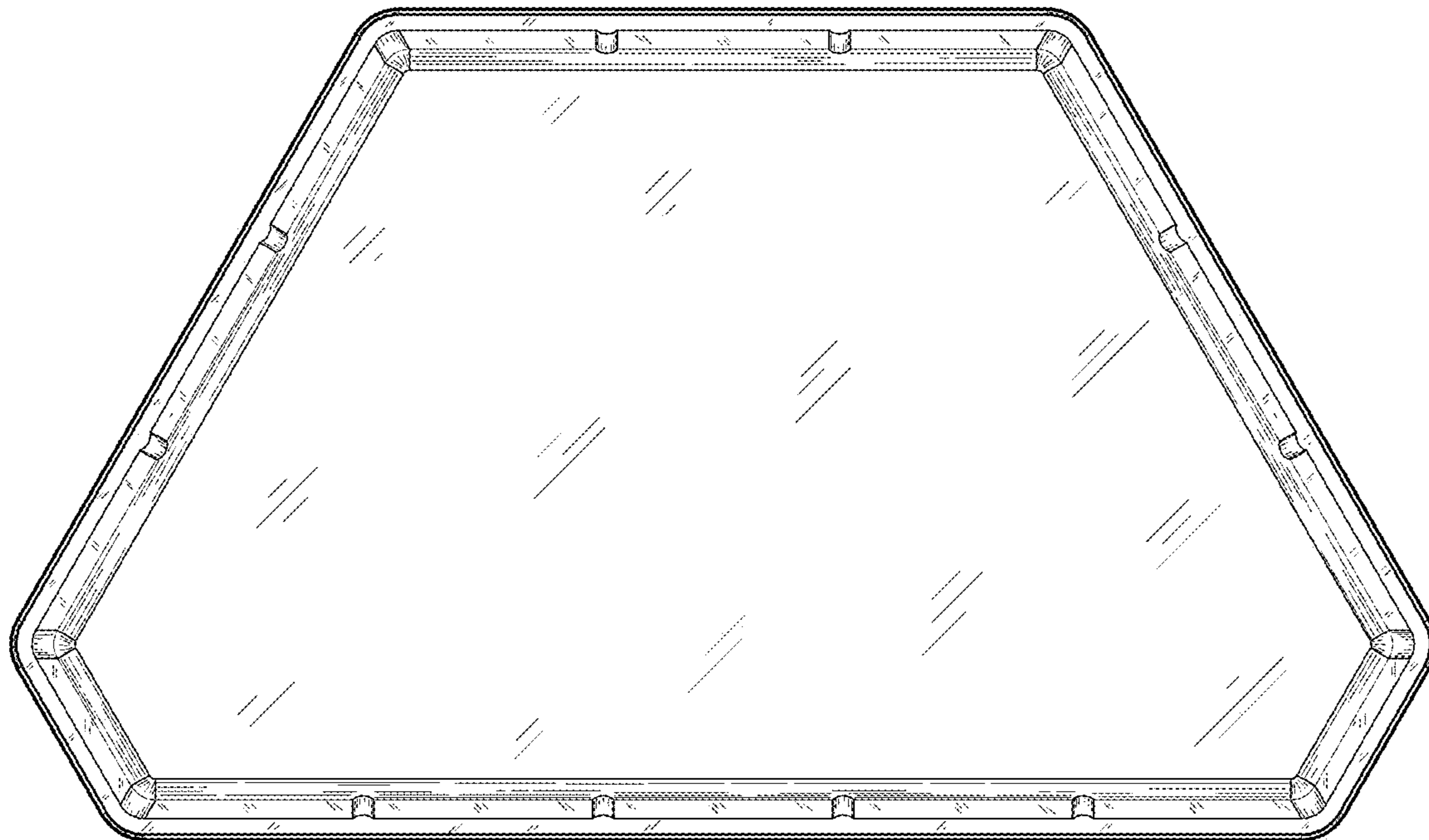


FIG. 12

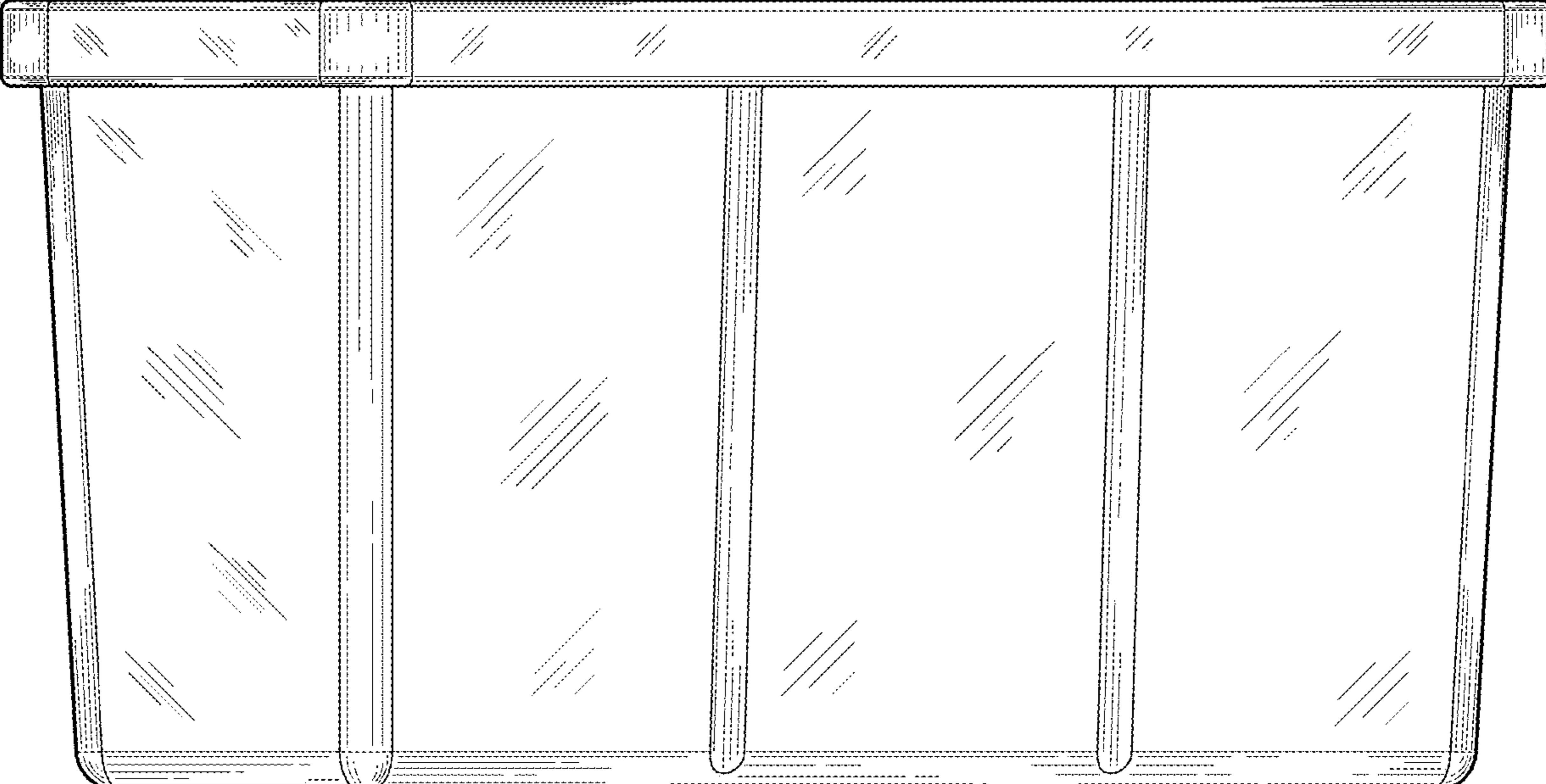


FIG. 13

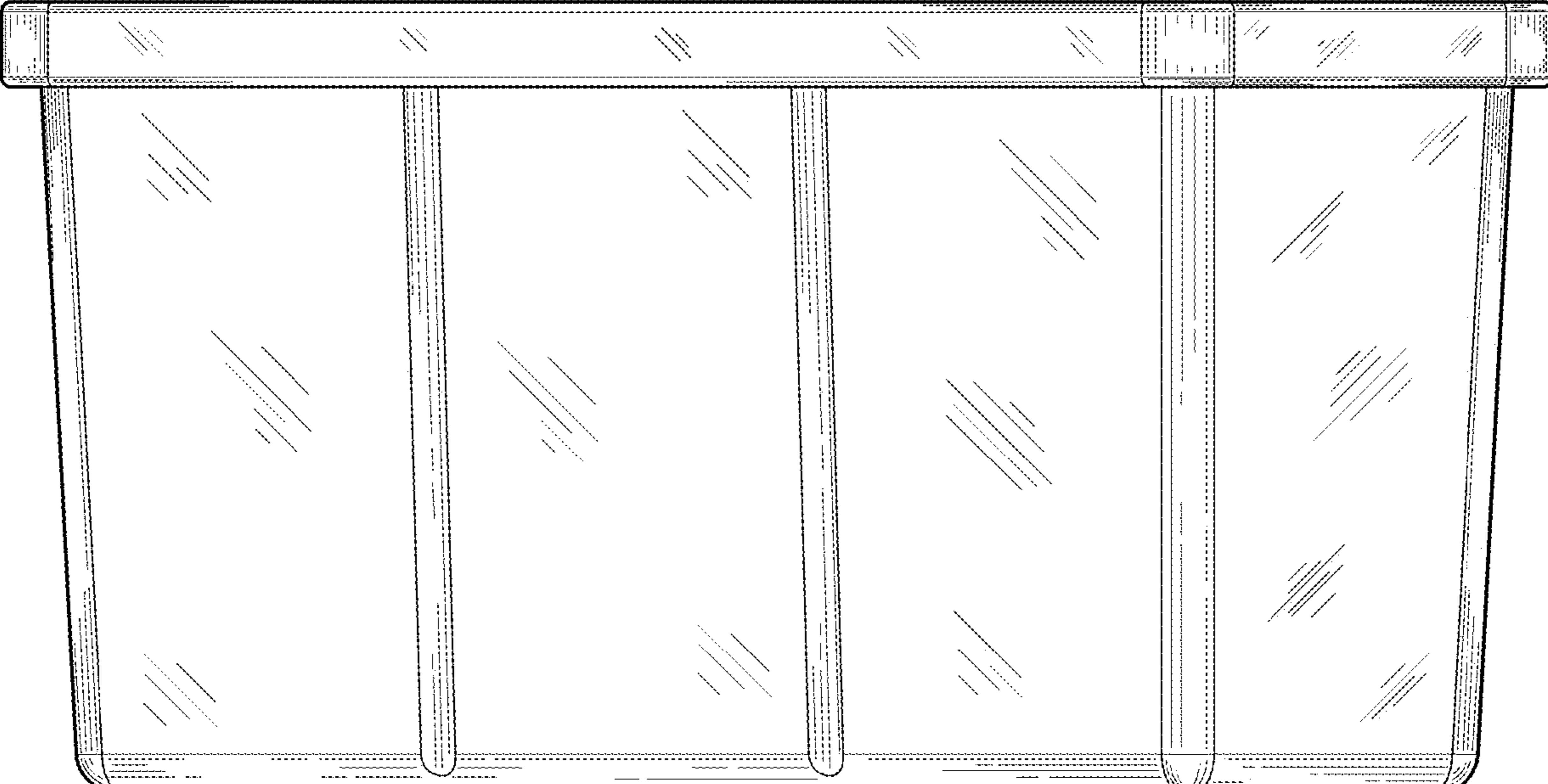


FIG. 14