

US00D909232S

(12) **United States Design Patent**
Morin

(10) **Patent No.:** **US D909,232 S**

(45) **Date of Patent:** **** Feb. 2, 2021**

- (54) **ARTICLE OF JEWELRY**
- (71) Applicant: **CARTIER INTERNATIONAL AG,**
Steinhausen (CH)
- (72) Inventor: **Flora Morin,** Conflans Sainte Honorine
(FR)
- (73) Assignee: **CARTIER INTERNATIONAL AG,**
Steinhausen (CH)
- (**) Term: **15 Years**
- (21) Appl. No.: **29/684,856**
- (22) Filed: **Mar. 25, 2019**
- (30) **Foreign Application Priority Data**
Sep. 28, 2018 (WO) 75912
- (51) **LOC (13) Cl.** **11-01**
- (52) **U.S. Cl.**
USPC **D11/16**
- (58) **Field of Classification Search**
USPC D11/1-20, 26, 86, 91, 92, 93, 34
CPC A44C 5/02; A44C 5/102; A44C 5/105;
A44C 5/107; A44C 17/02; A44C 11/00;
A44C 11/007; A44C 13/00
See application file for complete search history.

- D109,704 S * 5/1938 Dinhofer D11/34
- D120,368 S * 5/1940 Welling D11/2
- D157,634 S * 3/1950 Schaeffer D11/34
- D178,440 S * 7/1956 Welebny D11/4
- D181,920 S * 1/1958 Armbrust D11/12
- 3,685,284 A * 8/1972 Taubner, Jr. A44C 11/002
59/80
- D358,562 S * 5/1995 Bulgari D11/3
- D359,926 S * 7/1995 Plummer D11/4
- D416,512 S * 11/1999 Rossi D11/93
- 6,220,010 B1 * 4/2001 Gomez A44C 11/007
59/80
- D505,633 S * 5/2005 Hardy D11/26
- D516,450 S * 3/2006 Carnegie D11/6
- D581,306 S * 11/2008 So D11/13
- D581,307 S * 11/2008 So D11/13
- D584,983 S * 1/2009 So D11/13
- D651,931 S * 1/2012 Molik D11/3
- D691,505 S * 10/2013 Fillon D11/3
- D691,508 S * 10/2013 Fillon D11/26
- D705,111 S * 5/2014 Namazy D11/3
- D719,049 S * 12/2014 Wempe D11/34
- D729,683 S * 5/2015 Wempe D11/26
- D729,684 S * 5/2015 Wempe D11/34

(Continued)

Primary Examiner — Llorellys Martinez
(74) *Attorney, Agent, or Firm* — Oliff PLC

(57) **CLAIM**

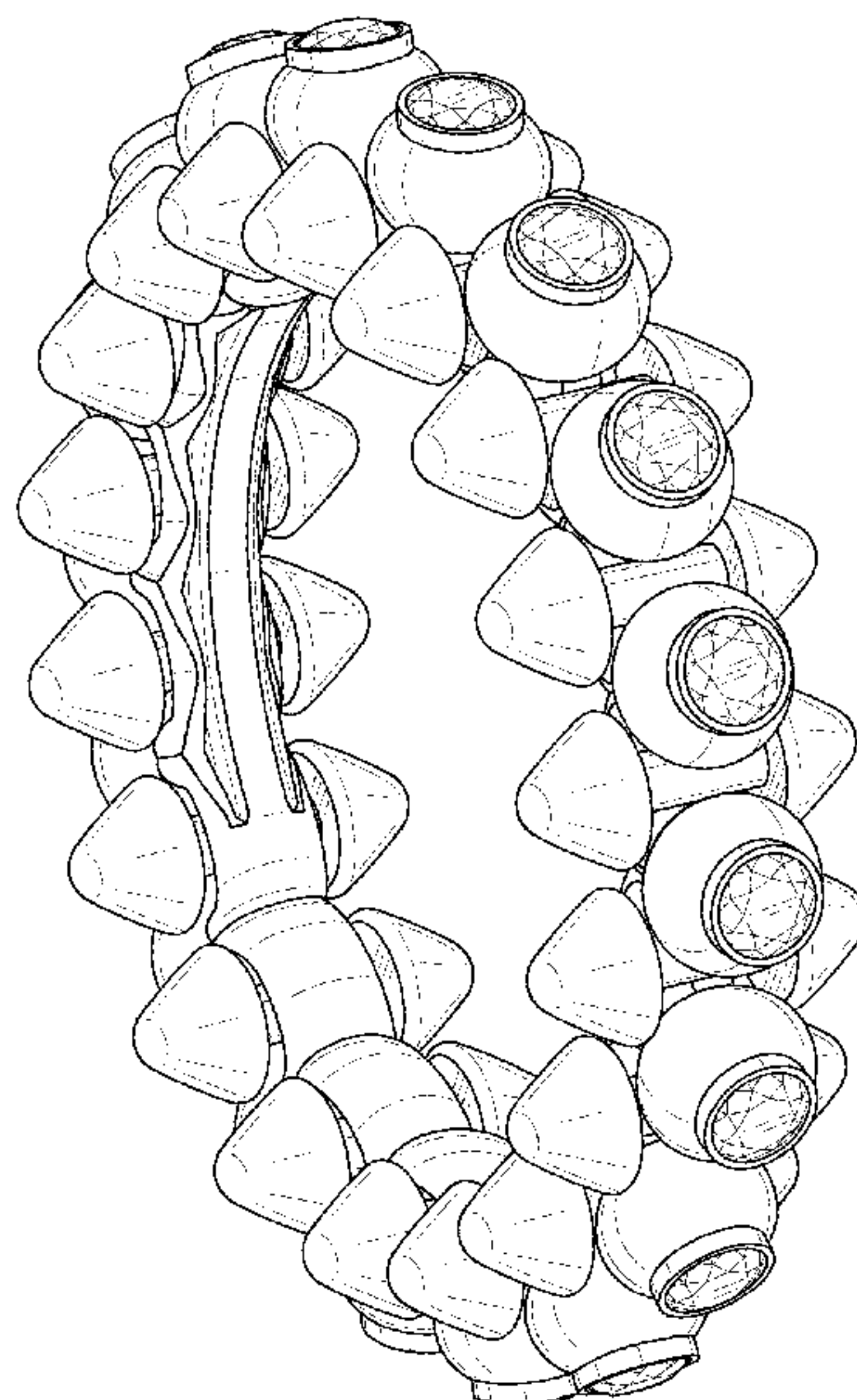
The ornamental design for an article of jewelry, as shown and described.

DESCRIPTION

FIG. 1 is a front elevational view of an article of jewelry, showing the new design;
FIG. 2 is a rear elevational view thereof;
FIG. 3 is a top plan view thereof;
FIG. 4 is a bottom plan view thereof;
FIG. 5 is a left-side elevational view thereof;
FIG. 6 is a right-side elevational view thereof; and,
FIG. 7 is a front perspective view thereof.

1 Claim, 5 Drawing Sheets

- (56) **References Cited**
U.S. PATENT DOCUMENTS
- 431,804 A * 7/1890 Edge A44C 11/00
D11/17
- D68,149 S * 9/1925 Lindeberg D11/34
- D78,900 S * 7/1929 Saccoccia D11/17
- 1,841,375 A * 1/1932 Meyer A44C 5/0092
D11/4
- 1,894,195 A * 1/1933 Pulver A44C 11/002
63/28



(56)

References Cited

U.S. PATENT DOCUMENTS

D732,995	S *	6/2015	Wempe	D11/34
D734,685	S *	7/2015	Barresi	D11/3
D791,635	S *	7/2017	Hardy	D11/3
D824,274	S *	7/2018	Trafton	D11/3
D825,369	S *	8/2018	Izen	D11/3
10,537,160	B1 *	1/2020	Busiashvili	A44C 17/02
2003/0089128	A1 *	5/2003	Minassian	A44C 5/107 63/4
2007/0180858	A1 *	8/2007	Wiseman	A44C 5/102 63/4

* cited by examiner

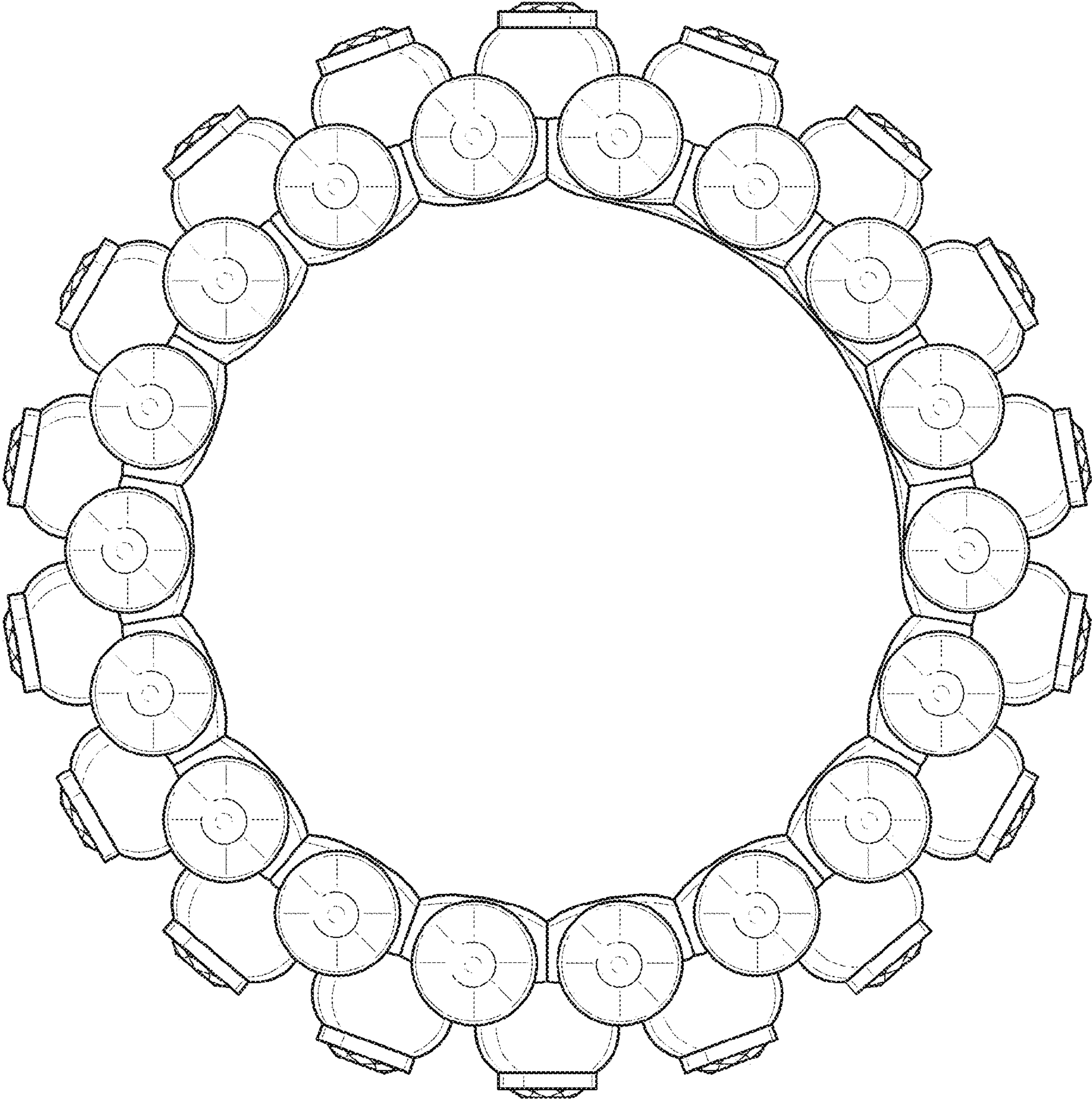


FIG. 1

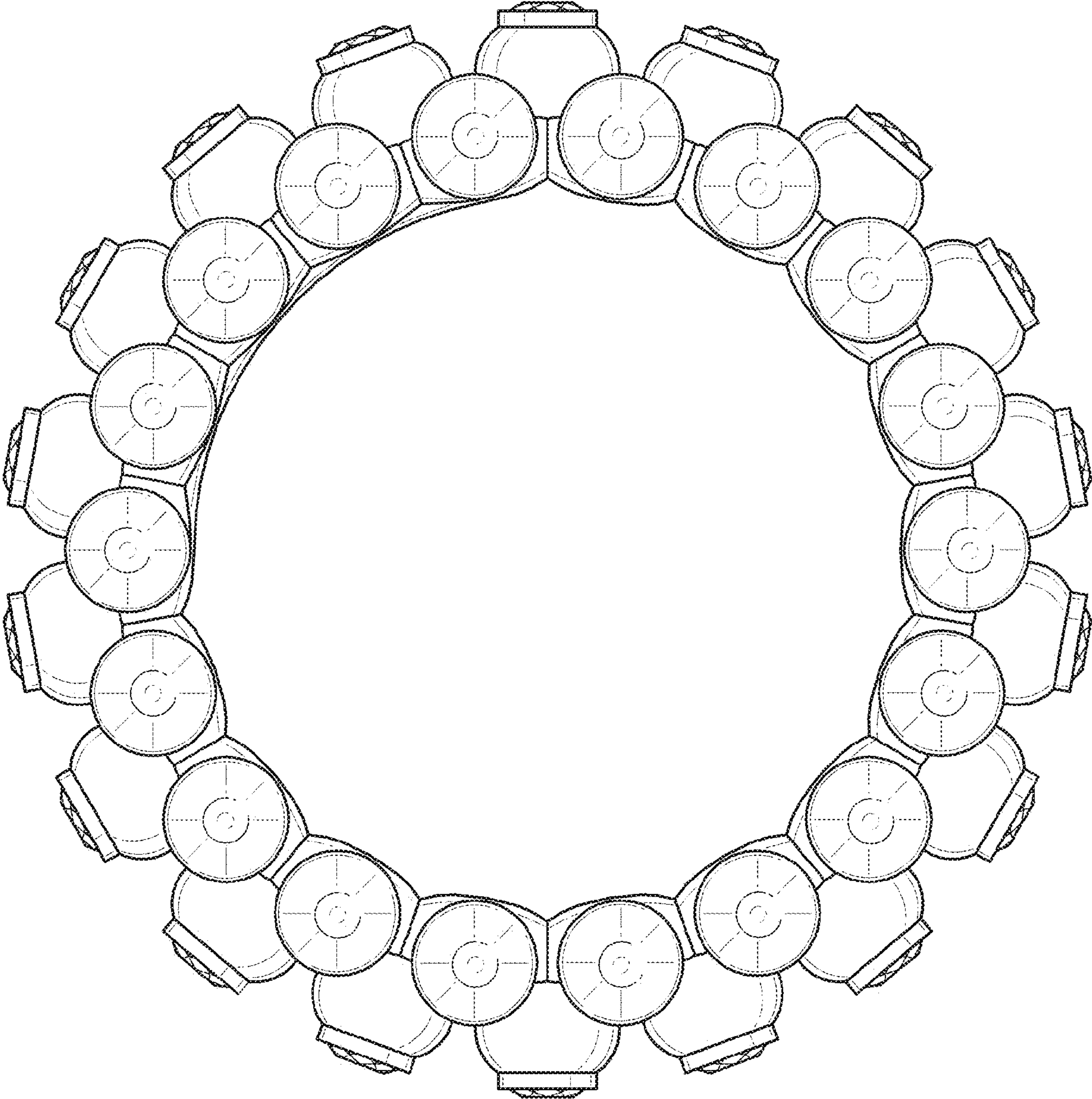


FIG. 2

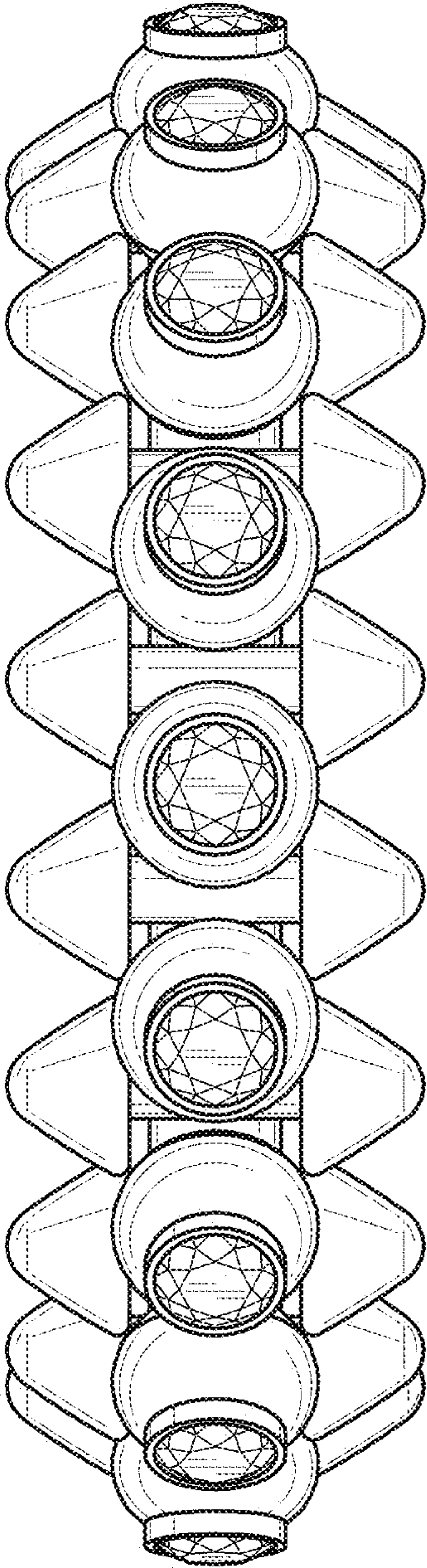


FIG. 3

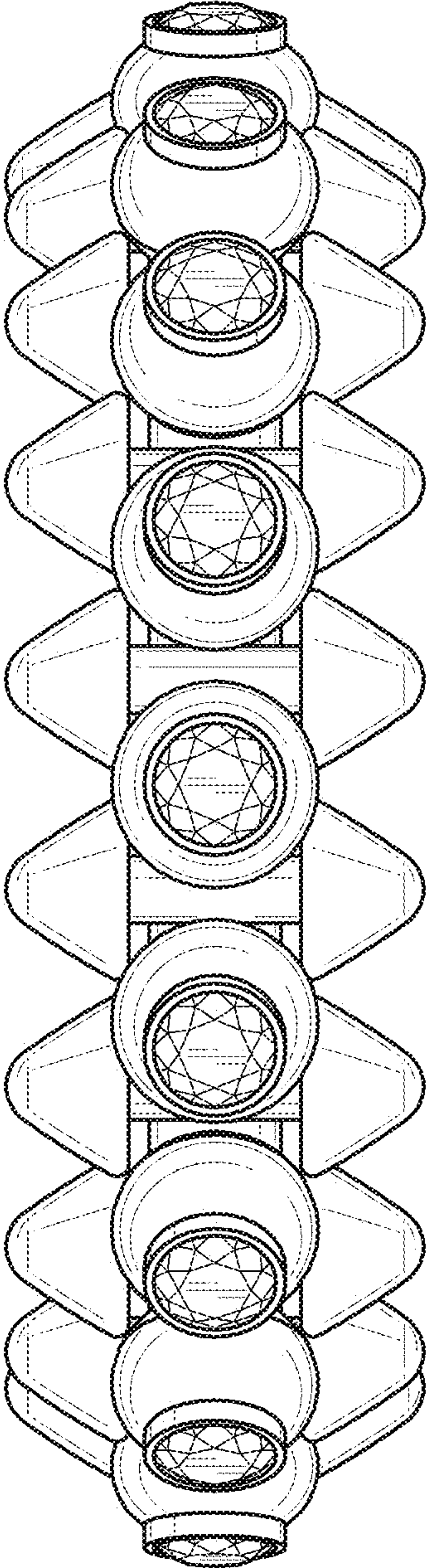


FIG. 4

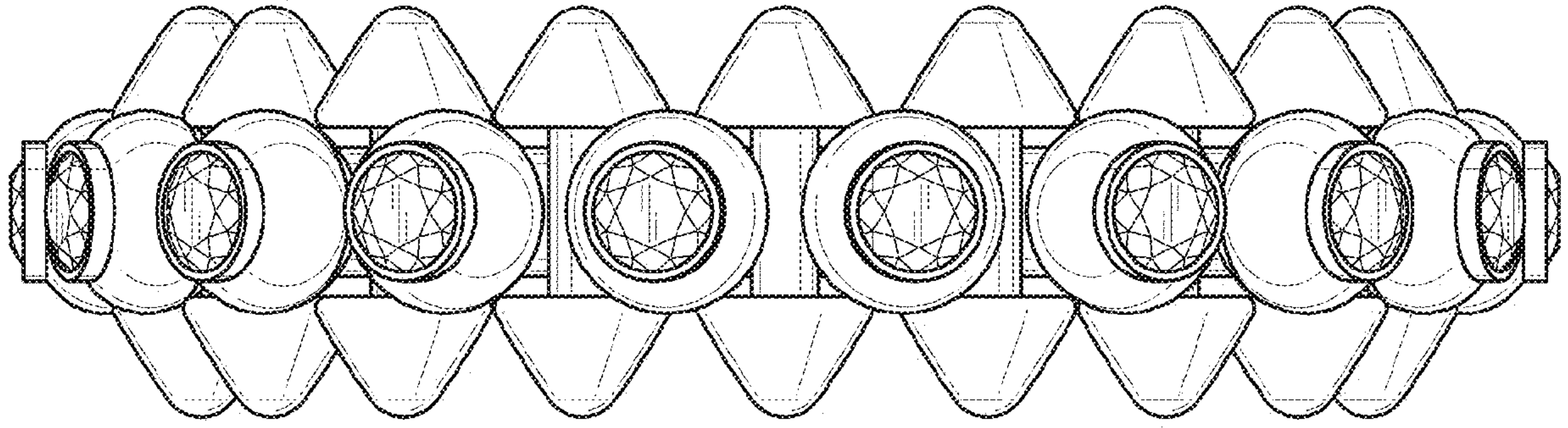


FIG. 6

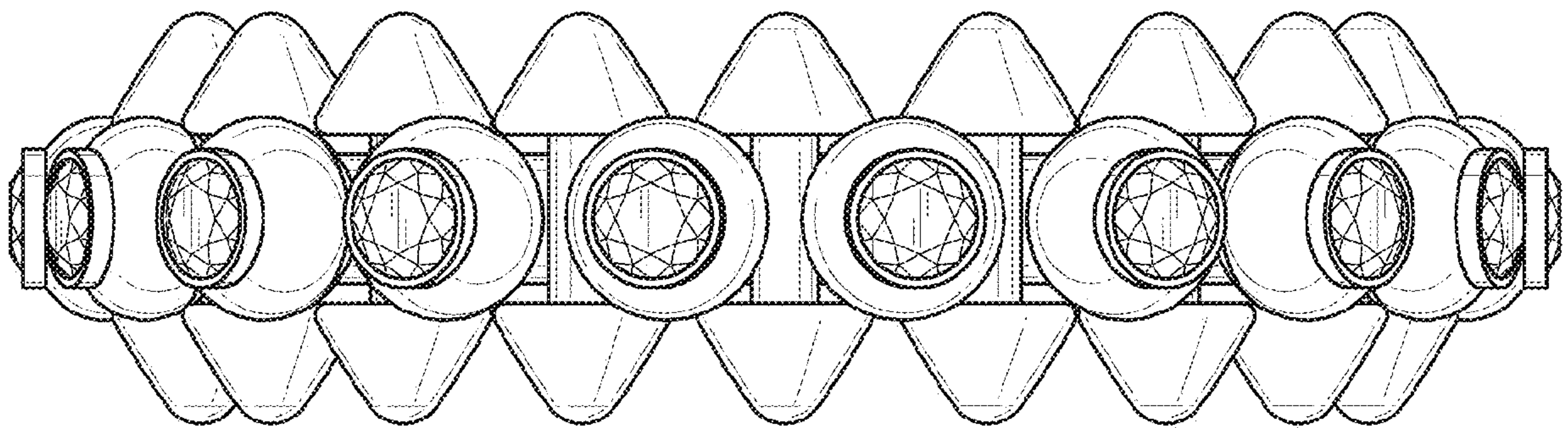


FIG. 5

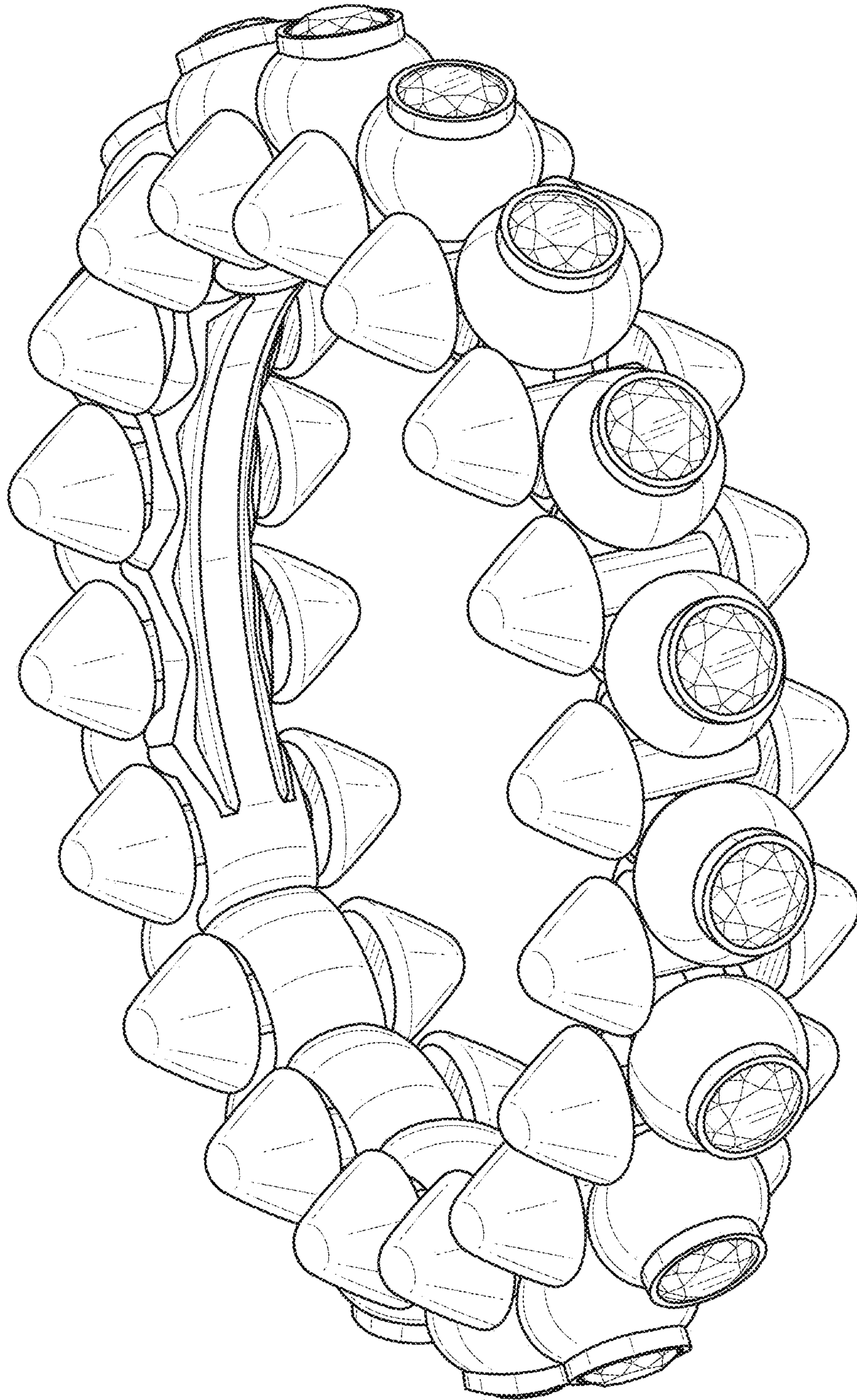


FIG. 7