



US00D909229S

(12) **United States Design Patent** (10) **Patent No.:** **US D909,229 S**
Williams (45) **Date of Patent:** **** Feb. 2, 2021**

(54) **BRACELET**
(71) Applicant: **MMW S.R.L.**, Ferrara (IT)
(72) Inventor: **Matthew Michael Williams**, Milan (IT)
(73) Assignee: **MMW S.R.L.**, Ferrara (IT)
(**) Term: **15 Years**
(21) Appl. No.: **29/706,371**
(22) Filed: **Sep. 19, 2019**
(51) **LOC (13) Cl.** **11-01**
(52) **U.S. Cl.**
USPC **D11/4**
(58) **Field of Classification Search**
USPC D11/1-23, 26, 34, 37, 38
CPC A44C 5/00; A44C 5/02; A44C 5/08; A44C
5/084; A44C 5/0092; A44C 5/12; A44C
5/0061; A44C 5/0076; A44C 5/022; A44C
5/025; A44C 5/027; A44C 5/102; A44C
5/105; A44C 17/02; G09F 3/005
See application file for complete search history.

D520,897 S * 5/2006 Sandberg D11/34
D562,173 S * 2/2008 Hardy D11/4
D652,337 S * 1/2012 Molik D11/3
D721,609 S * 1/2015 Duddy D11/3
D740,140 S * 10/2015 Behar D10/70
D752,469 S * 3/2016 Rastrick D11/3
D808,290 S * 1/2018 Hardy D11/3

OTHER PUBLICATIONS

Rollercoaster Track Bracelet (available online) Retrieved from the internet Sep. 21, 2020 from URL: <https://www.alyxstudio.com/collections/jewelry>.*

* cited by examiner

Primary Examiner — Kevin K Rudzinski
Assistant Examiner — Richard Kearney
(74) *Attorney, Agent, or Firm* — David B. Tingey; Bryant J. Keller; Kirton McConkie

(57) **CLAIM**

The ornamental design for a bracelet, as shown and described.

(56) **References Cited**

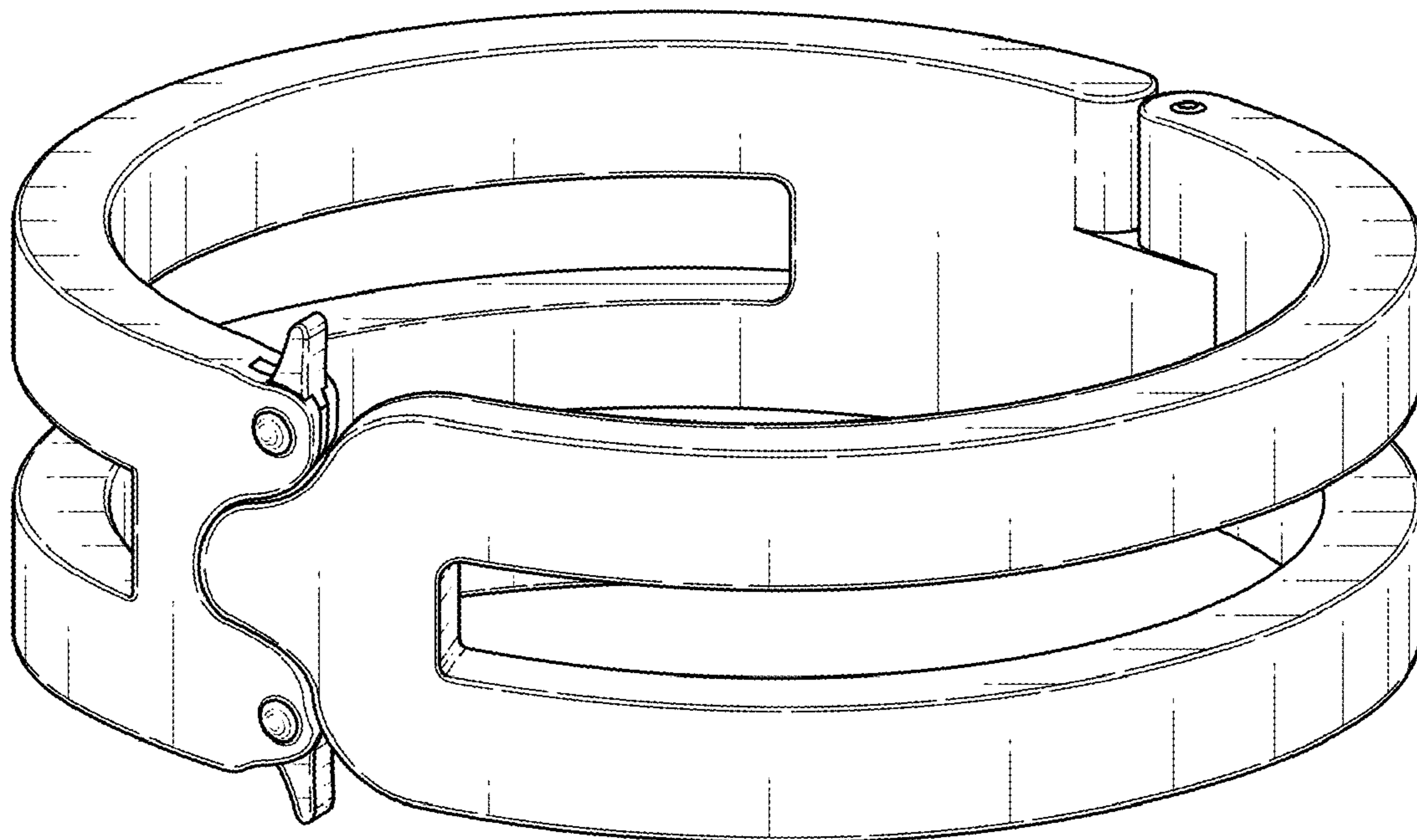
U.S. PATENT DOCUMENTS

210,119 A * 11/1878 Heckmann A44C 5/0092
63/7
228,425 A * 6/1880 Vester A44C 5/12
63/8
236,806 A * 1/1881 Hammond A44C 5/0092
63/6
1,957,161 A * 5/1934 Dubassoff A44C 5/0092
63/3
2,346,607 A * 4/1944 Raiman A44C 9/02
63/15
D377,769 S * 2/1997 Roemer D11/26

DESCRIPTION

FIG. 1 is front right perspective view showing my new design of a bracelet;
FIG. 2 is a front elevation view thereof;
FIG. 3 is a back elevation view thereof;
FIG. 4 is a right elevation view thereof;
FIG. 5 is a left elevation view thereof;
FIG. 6 is a top plan view thereof; and,
FIG. 7 is a bottom plan view thereof.

1 Claim, 5 Drawing Sheets



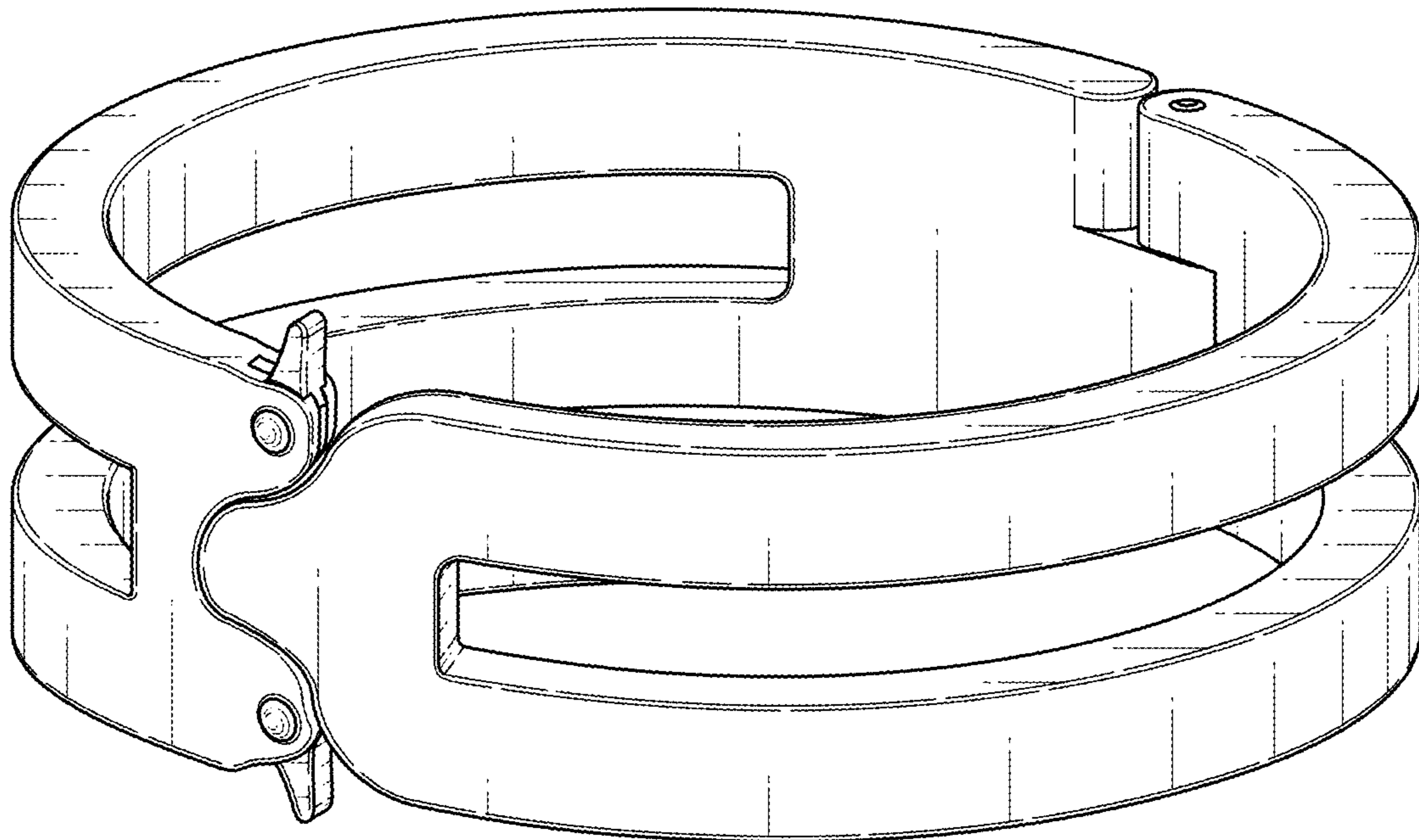


FIG. 1

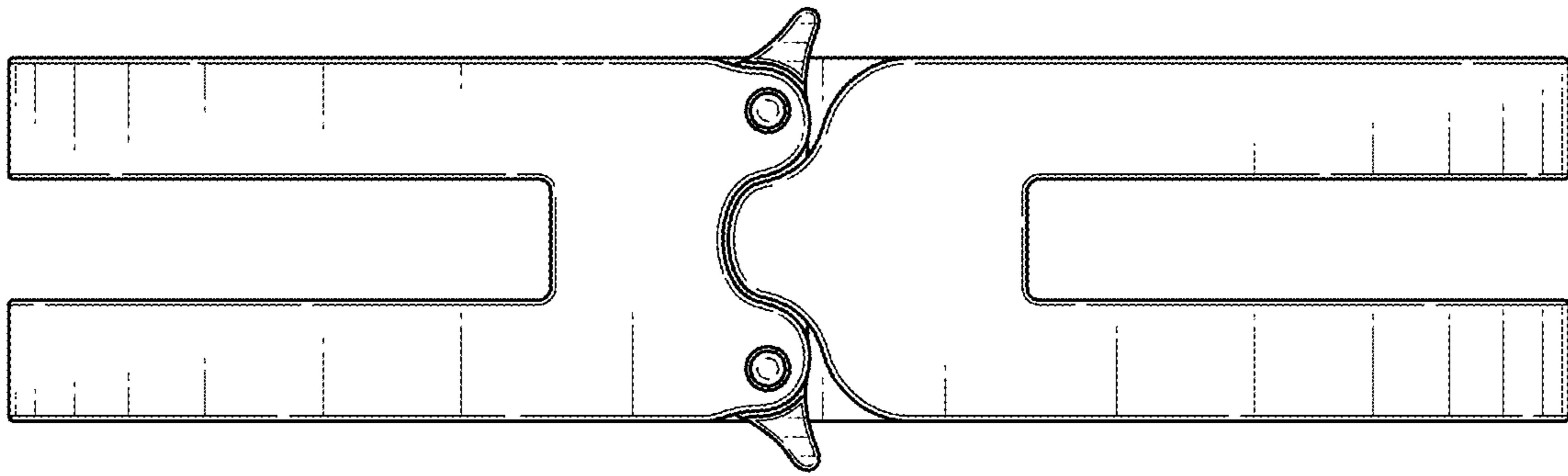


FIG. 2

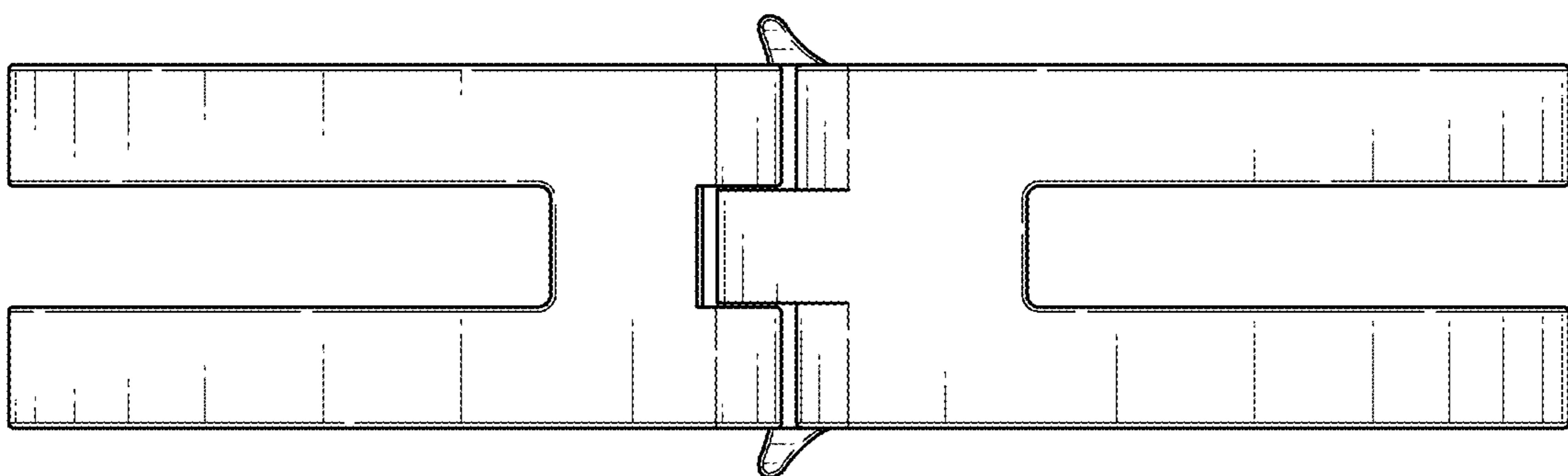


FIG. 3

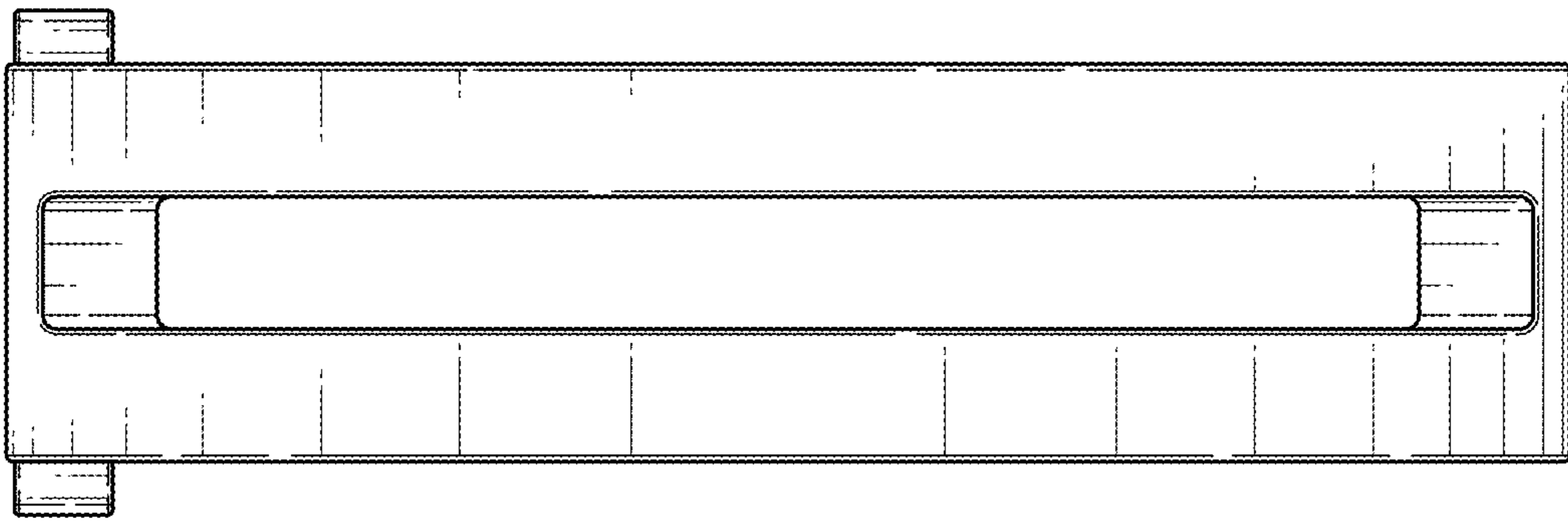


FIG. 4

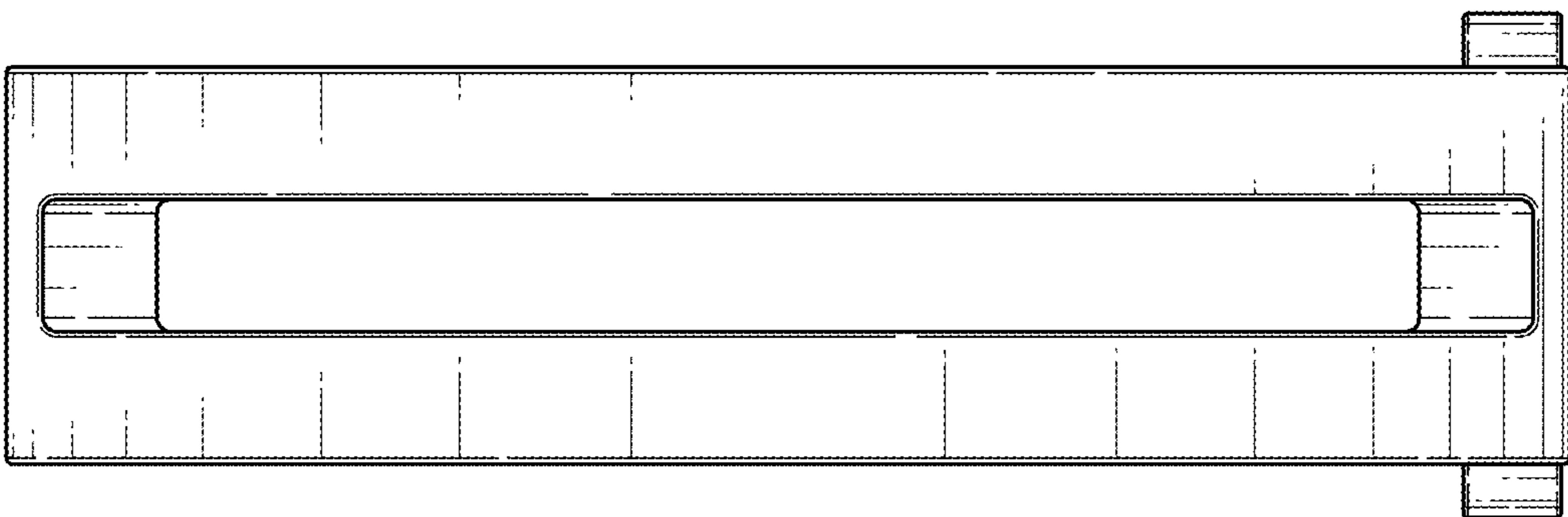


FIG. 5

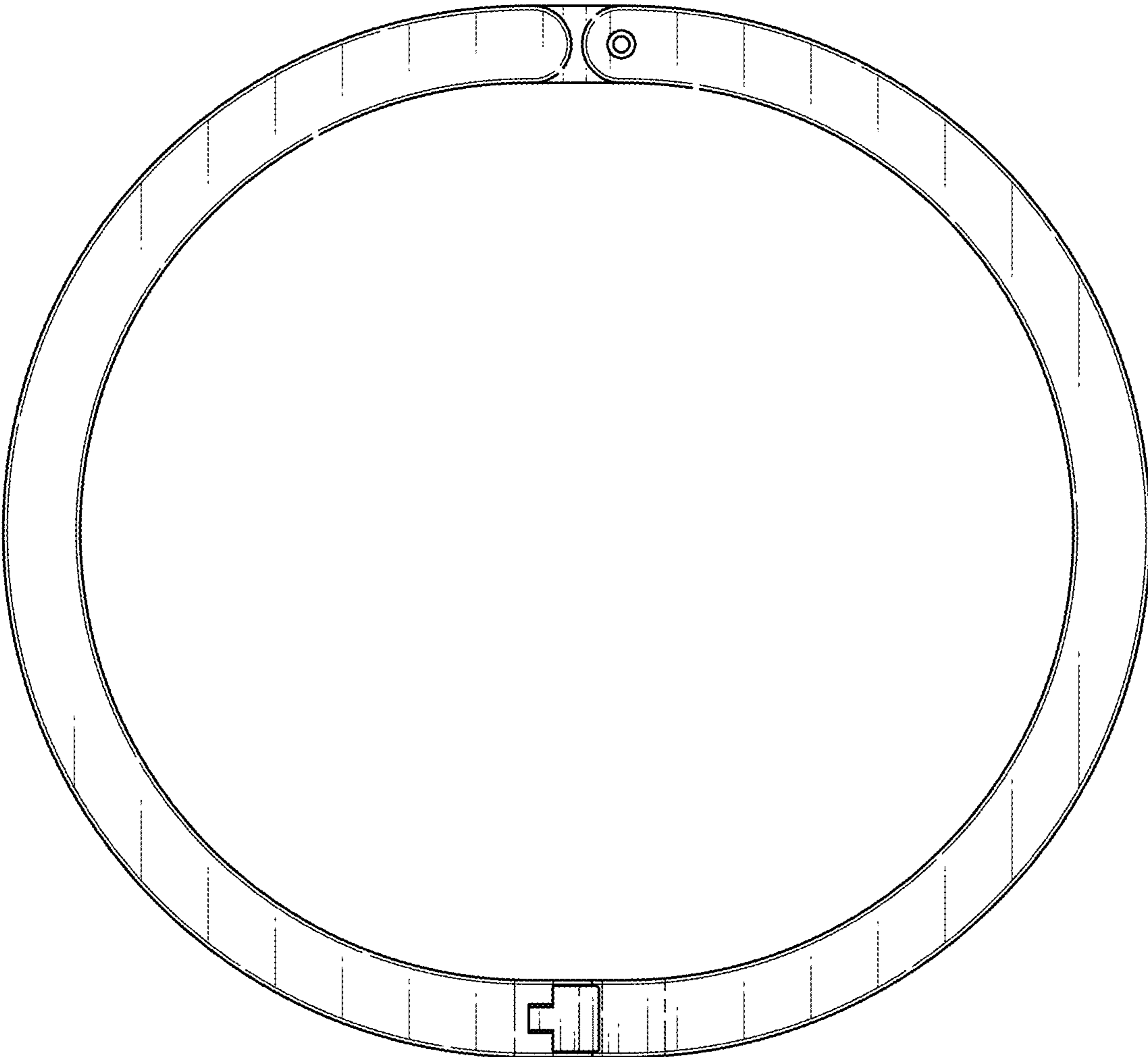


FIG. 6

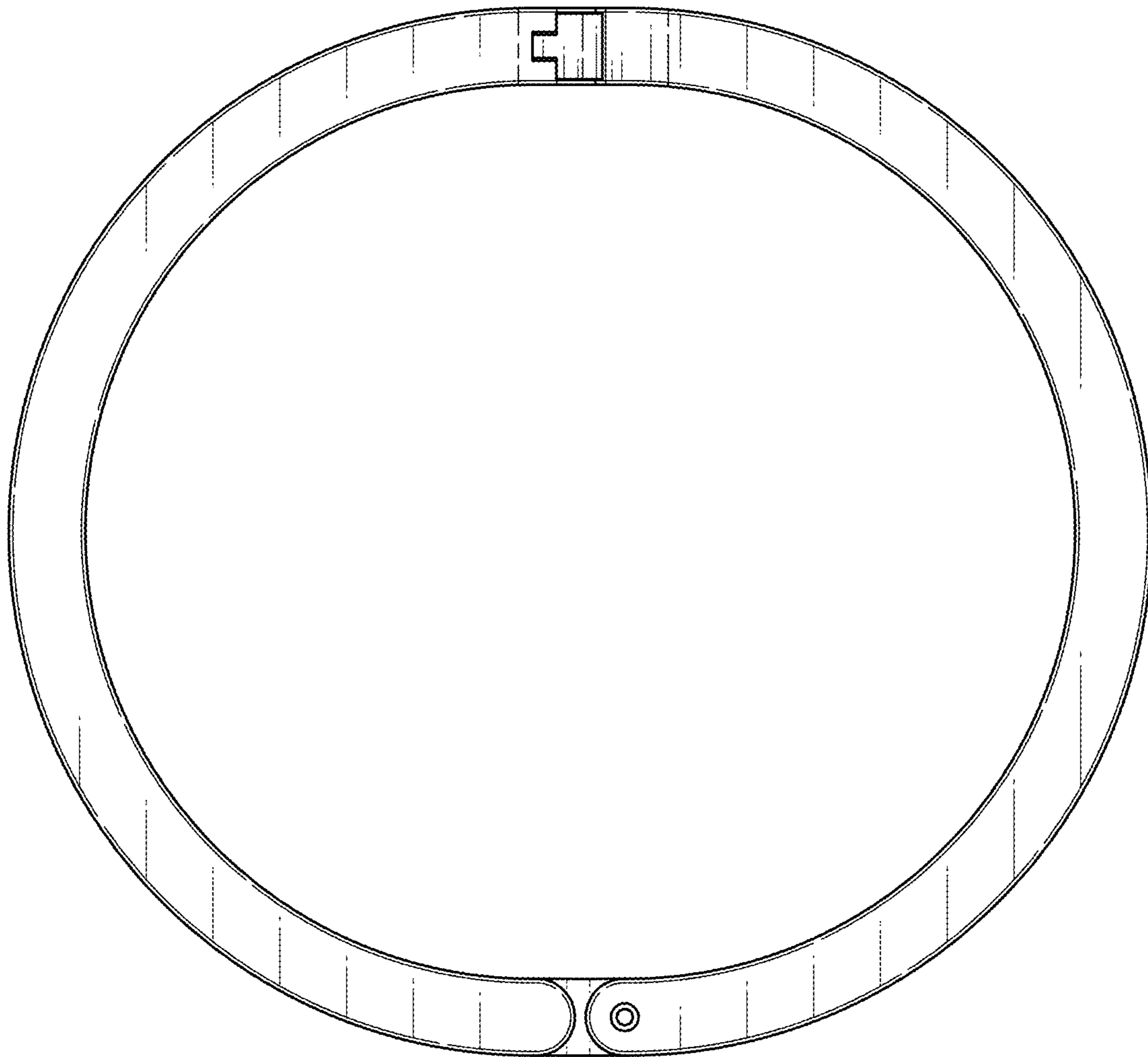


FIG. 7