



US00D909226S

(12) **United States Design Patent** (10) **Patent No.:** **US D909,226 S**
Riot et al. (45) **Date of Patent:** **** *Feb. 2, 2021**

(54) **SET OF BANDS FOR A WATCH OR SMART WATCH**

CPC A41D 1/002; A41D 19/0034; G06F 1/04; G06F 1/08; G06F 1/10; G06F 1/14; G06F 1/1626; G06F 1/1628; G06F 1/163; G06F 1/1635; G06F 1/3203; H04B 1/3833; H04B 1/385; H04B 1/3888

(71) Applicant: **Fitbit, Inc.**, San Francisco, CA (US)

See application file for complete search history.

(72) Inventors: **Benjamin Patrick Robert Jean Riot**, San Francisco, CA (US); **Cédric Eric Jean-Edouard Bernard**, San Francisco, CA (US); **Chadwick John Harber**, San Francisco, CA (US); **Brian Dennis Paschke**, San Francisco, CA (US); **Derek Jenchia Loh**, San Carlos, CA (US); **Eric John Fairbanks**, Lafayette, CA (US); **Mark Woolhiser Huang**, Burlingame, CA (US); **Henry Michael Lubowe**, San Francisco, CA (US); **Edison Tam King Miguel**, Newark, CA (US); **Matthew Joseph Kane**, Berkeley, CA (US)

(56)

References Cited

U.S. PATENT DOCUMENTS

1,621,325 A	3/1927	Kraemer	
1,709,179 A	4/1929	Lederer	
D82,186 S	9/1930	Speidel	
D214,810 S	7/1969	Gandelman	
4,605,312 A	8/1986	Sellier	
D285,422 S	9/1986	Grimes	
D314,527 S	2/1991	Kaneko	
D327,440 S	6/1992	Galli	
D333,446 S	2/1993	Butler	
D344,468 S	2/1994	Kaneko	
D387,692 S	12/1997	Hanagat	
D401,181 S	11/1998	Houlihan	
D407,341 S	3/1999	Oshita	
D407,990 S	4/1999	Akagi	
D584,176 S	1/2009	Maruyama et al.	
7,480,967 B2	1/2009	Kojoori et al.	
D643,772 S	8/2011	Mikkelsen	
D724,469 S	3/2015	Akana et al.	
D726,924 S	4/2015	Tseng et al.	
D727,759 S *	4/2015	Martinez	D10/70
D736,664 S *	8/2015	Paradise	D11/3
D748,008 S	1/2016	Akana et al.	
D748,010 S	1/2016	Akana et al.	
D748,527 S	2/2016	Akana et al.	
D749,009 S	2/2016	Akana et al.	
D749,450 S	2/2016	Akana et al.	
D749,460 S	2/2016	Akana et al.	
D749,570 S	2/2016	Lee	
9,285,830 B2 *	3/2016	Alcazar	A61B 5/681
9,311,686 B2	4/2016	Roush et al.	
9,367,087 B1 *	6/2016	Townsend	A61B 90/98
D762,515 S	8/2016	Akana et al.	
D764,341 S	8/2016	Akana et al.	
D768,025 S	10/2016	Akana et al.	
D786,127 S	5/2017	Akana et al.	
D789,822 S	6/2017	Akana et al.	
D791,634 S *	7/2017	Bang	D11/3
D792,795 S	7/2017	Cerrato	
D794,492 S	8/2017	Arrow et al.	
D795,121 S	8/2017	Akana et al.	
D798,189 S	9/2017	Nielsen et al.	

(73) Assignee: **Fitbit, Inc.**, San Francisco, CA (US)

(*) Notice: This patent is subject to a terminal disclaimer.

(**) Term: **15 Years**

(21) Appl. No.: **29/730,287**

(22) Filed: **Apr. 2, 2020**

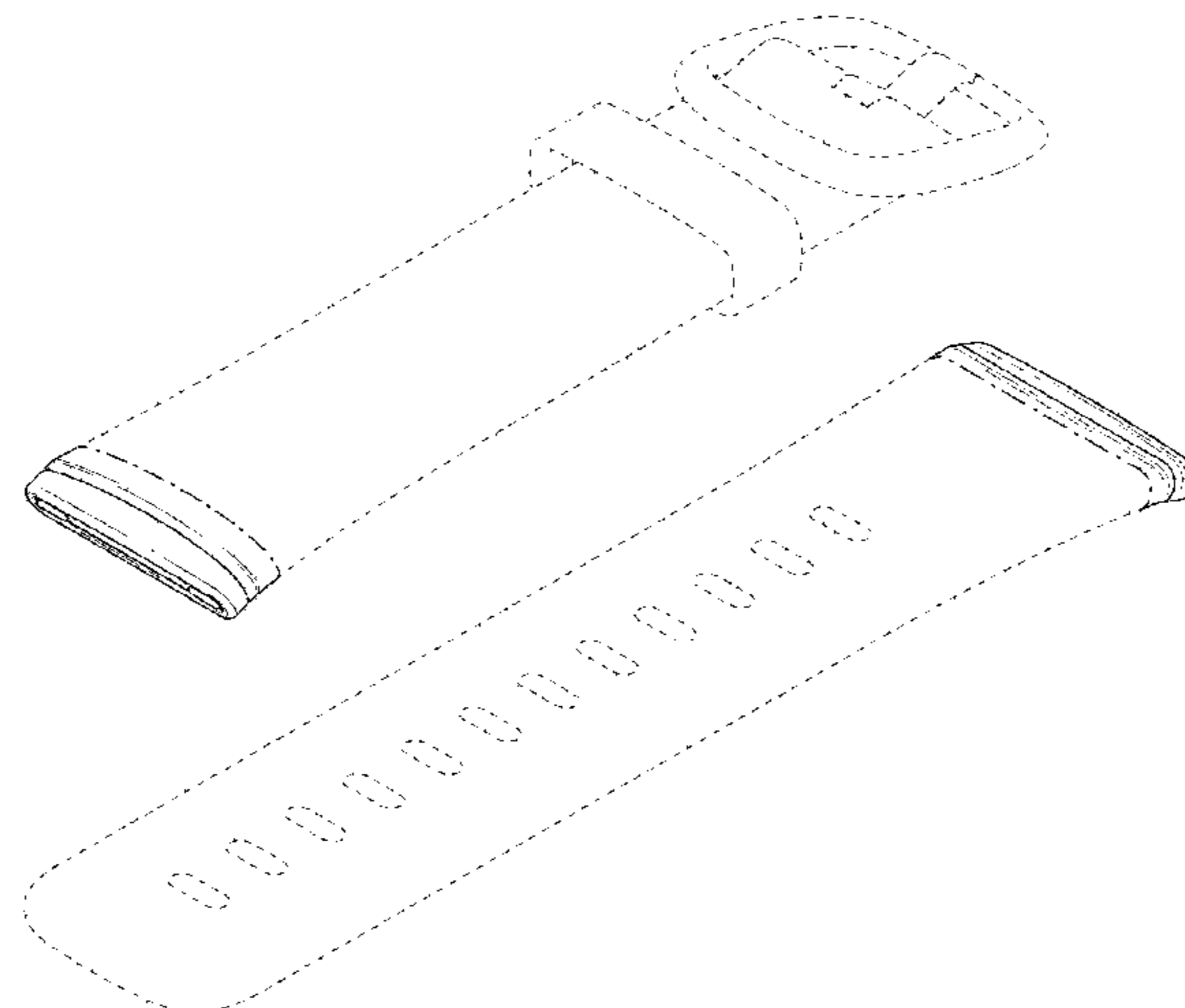
Related U.S. Application Data

(63) Continuation of application No. 29/705,460, filed on Sep. 12, 2019.

(51) **LOC (13) Cl.** **11-01**

(52) **U.S. Cl.**
USPC **D11/3**

(58) **Field of Classification Search**
USPC .. D14/138 R, 144, 341, 344, 358, 388, 218;
D10/30-39, 70, 98; D11/3, 4, 26, 93-94,
D11/78.1, 79, 86; D24/167, 169,
D24/186-187, 164



D800,007 S	10/2017	Tibi	
D800,593 S	10/2017	Ling et al.	
D820,713 S *	6/2018	Oh	D11/3
D821,246 S	6/2018	Akana et al.	
D821,912 S	7/2018	Ke	
10,058,149 B1	8/2018	Wittenberg et al.	
D829,692 S *	10/2018	Paschke	D14/223
D830,880 S *	10/2018	Akana	D11/94
D830,882 S	10/2018	Akana et al.	
D830,884 S	10/2018	Akana et al.	
D834,445 S	11/2018	Akana et al.	
10,136,543 B1 *	11/2018	Nadkarni	G06F 1/1698
D836,478 S	12/2018	Wright et al.	
D837,087 S	1/2019	Akana et al.	
D837,088 S	1/2019	Akana et al.	
D837,089 S	1/2019	Akana et al.	
10,168,736 B2 *	1/2019	Lee	G04B 37/1486
10,180,663 B2 *	1/2019	Jang	G04G 21/08
D843,864 S *	3/2019	Vandenbussche	D10/70
D852,648 S *	7/2019	Chen	D10/32
D853,394 S	7/2019	McCracken et al.	
D857,011 S	8/2019	Kang et al.	
D860,033 S *	9/2019	Quan	D11/3
D862,459 S *	10/2019	Choplin	D14/344
D866,350 S *	11/2019	Park	D10/38
D869,461 S	12/2019	Ke	
D869,462 S	12/2019	Ke	
D871,953 S *	1/2020	Park	D11/3
D879,094 S *	3/2020	Choplin	D14/344
2017/0188669 A1	7/2017	Dukerschein et al.	
2019/0174882 A1	6/2019	Cuenat et al.	

FOREIGN PATENT DOCUMENTS

CH	135962	5/2009
CN	203407616 U	1/2014
CN	104257043 A	1/2015
CN	303356820 S	9/2015
CN	206101834 U	4/2017
CN	207118680 U	3/2018
CN	207544504 U	6/2018
CN	304856828 S	10/2018
CN	304918326 S	11/2018
CN	305178214 S	5/2019
CN	305515189 S	12/2019
EM	004428274-0006	10/2017
JP	D1560512 S	9/2016

OTHER PUBLICATIONS

Charge 2 bands compatible with Charge 3?, posted Sep. 19, 2020, [retrieved Sep. 14, 2020]. Retrieved from Internet, <URL: <https://community.fitbit.com/t5/Other-Charge-Trackers/Charge-2-bands-compatible-with-Charge-3/td-p/2907170> >.*

Hotodeal Leather Band Compatible Charge 3, Classic Replacement, posted Apr. 10, 2020, [retrieved Sep. 14, 2020]. Retrieved from Internet, <URL: <https://www.amazon.com/Hotodeal-Leather-Compatible-Replacement-Connectors/dp/B07KFBRWFG> >.*

Torotop Band Compatible with Fitbit Charge 3 /Charge 4 Bands, posted Sep. 4, 2018, [retrieved Sep. 14, 2020]. Retrieved from Internet, <URL: <https://www.amazon.com/TOROTOP-Compatible-Replacement-Stainless-Connector/dp/B07KHP81N1> >.*

Fenix 5S /Fenix 5S Plus Watch Band, Yooside, posted Jan. 13, 2019, [retrieved Sep. 14, 2020]. Retrieved from Internet, <URL: <https://www.amazon.com/Fenix-Watch-YOOSIDE-Canvas-Garmin/dp/B07MJYZ344> >.*

U.S. Appl. No. 29/706,974, filed Sep. 25, 2019, applicant Fitbit, Inc.

U.S. Appl. No. 29/712,115, filed Nov. 5, 2019, applicant Fitbit, Inc.

U.S. Appl. No. 29/710,723, filed Oct. 25, 2019, applicant Fitbit, Inc.

U.S. Appl. No. 29/635,224, filed Jan. 29, 2018, applicant Fitbit, Inc.

U.S. Appl. No. 29/721,845 filed Jan. 23, 2020, applicant Fitbit, Inc.

U.S. Appl. No. 29/721,870, filed Jan. 23, 2020, applicant Fitbit, Inc.

U.S. Appl. No. 29/722,312, filed Jan. 28, 2020, applicant Fitbit, Inc.

U.S. Appl. No. 29/722,314, filed Jan. 28, 2020, applicant Fitbit, Inc.

U.S. Appl. No. 29/725,314, filed Feb. 24, 2020, applicant Fitbit, Inc.

U.S. Appl. No. 29/645,397, filed Apr. 25, 2018, applicant Fitbit, Inc.

U.S. Appl. No. 29/708,648, filed Oct. 8, 2019, applicant Fitbit, Inc.

U.S. Appl. No. 29/707,456, filed Sep. 27, 2019, applicant Fitbit, Inc.

U.S. Appl. No. 29/656,638, filed Jul. 13, 2018, applicant Fitbit, Inc.

U.S. Appl. No. 29/671,144, filed Nov. 24, 2018, applicant Fitbit, Inc.

U.S. Appl. No. 29/669,190, filed Nov. 6, 2018, applicant Fitbit, Inc.

U.S. Appl. No. 29/702,572, filed Aug. 20, 2019, applicant Fitbit, Inc.

U.S. Appl. No. 29/702,946, filed Aug. 22, 2019, applicant Fitbit, Inc.

U.S. Appl. No. 29/702,703, filed Aug. 21, 2019, applicant Fitbit, Inc.

U.S. Appl. No. 29/688,946, filed Apr. 25, 2019, applicant Fitbit, Inc.

U.S. Appl. No. 29/702,397, filed Aug. 19, 2019, applicant Fitbit, Inc.

U.S. Appl. No. 29/705,182 filed Sep. 10, 2019, applicant Fitbit, Inc.

U.S. Appl. No. 29/711,032, filed Oct. 28, 2019, applicant Fitbit, Inc.

U.S. Appl. No. 29/725,309, filed Feb. 24, 2020, applicant Fitbit, Inc.

U.S. Appl. No. 29/725,313, filed Feb. 24, 2020, applicant Fitbit, Inc.

“New Fitbit Versa on the way with built-in Amazon Alexa?” Source: androidauthority.com (<https://www.androidauthority.com/fitbit-versa-2-amazon-alexa-1014860/>). Website accessed Mar. 17, 2020.

iConnect by Timex Active Smartwatch with Heart Rate, Notifications and Activity Tracking, available at Amazon.com (<https://www.amazon.com/iConnect-Timex-TW5M34400-Active-Smartwatch/dp/B07XZRQBGV>). Website accessed Mar. 17, 2020.

Alfawise H19 RFID Sports Smartwatch Fitness Tracker—Black, available at gearbest.com (https://www.gearbest.com/smart-watches/pp_009207049039.html?wid=1433363). Website accessed Mar. 17, 2020.

Ergofinity™ Bluetooth Smart Watch available at ergofinity.com (<https://ergofinity.com/products/bluetooth-smart-watch-ios-android>). Website accessed Mar. 17, 2020.

Amazfit BIP Lite 3ATM Smart Watch (Blue) available at amazon.in (https://www.amazon.in/Amazfit-Lite-3ATM-Smart-Watch/dp/B07WQWDYJ7/ref=asc_df_B07WQWDYJ7/?tag=googleshopdes-21&linkCode=df0&hvadid=397082878775&hvpos=&hvnetw=g&hvrand=13400080515884943460&hvpone=&hvpone=&hvptwo=&hvqmt=&hvdev=c&hvdvcmdl=&hvlocint=&hvlocphy=1007765&hvtargid=pla-819594895182&pvc=1&ext_vmc=hi). Website accessed Mar. 17, 2020.

Silicone Sport wristband Watch band for Samsung Gear Fit 2 SM-R360 smart watch for Samsung Gear Fit 2 watchbands Accessories, available at Ali Express (https://www.aliexpress.com/item/32971838973.html?spm=a2g0o.detail.1000060.3.1f986634o1rmW0&gps-id=pcDetailBottomMoreThisSeller&scm=1007.14977.161853.0&scm_id=1007.14977.161853.0&scm-url=1007.14977.161853.0&pvid=3d36c6f6-e362-4370-a5c4-56b67fe813e6&_t=gps-id:pcDetailBottomMoreThisSeller).

Watch Repair Tool Stainless Connector Watch Accessory for Samsung Gear Fit 2 Pro Replace Tools Connect Device For Gear Fit 2, available at Ali Express (https://www.aliexpress.com/item/32953625569.html?aff_platform=dynamic-window&sk=AMnm2vF&aff_trace_key=fb0d3327f41349d3b416c0af3d374d93-1584617558441-08967-AMnm2vF&terminal_id=830dca5b7b89422b94fafe85b01e7764&aff_request_id=fb0d3327f41349d3b416c0af3d374d93-1584617558441-08967-AMnm2vF). Website accessed Mar. 23, 2020.

U.S. Appl. No. 29/712,571, filed Nov. 8, 2019, applicant Fitbit, Inc.

U.S. Appl. No. 29/716,025, filed Dec. 5, 2019, applicant Fitbit, Inc.

U.S. Appl. No. 29/728,323, filed Mar. 17, 2020, applicant Fitbit, Inc.

U.S. Appl. No. 29/728,402, filed Mar. 18, 2020, applicant Fitbit, Inc.

U.S. Appl. No. 29/728,447, filed Mar. 18, 2020, applicant Fitbit, Inc.

U.S. Appl. No. 29/705,460, filed Sep. 12, 2019, applicant Fitbit, Inc.

POY Compatible Bands Replacement for Fitbit Alta, Fitbit Alta HR sold on Amazon. Website accessed Mar. 1, 2019.

Monster Fitness Multicolor Replacement Bands for Fitbit Flex sold on Amazon. Website accessed Mar. 1, 2019.

GK Fitbit Alta Bands—replacement sport strap bands for Fitbit Alta for sale at Walmart (www.walmart.com). Website accessed Nov. 7, 2018.

iSuunto Core watchband on Instagram. Accessed Feb. 7, 2017.

- Suppa G-Shock Strap Adapters, online at least as early as Dec. 13, 2013. Accessed Feb. 7, 2017.
- Monserat de Lucca Measuring Tape Bracelet for sale at Shopbop (www.shopbop.com). Website accessed Nov. 11, 2018.
- Marc by Marc Jacobs Engraved Turlock Leather Bangle Bracelet for sale at Shopbop (www.shopbop.com). Website accessed Nov. 11, 2018.
- ACBEE Replacement watch band with buckle for Fitbit Alta for sale at www.amazon.com, Website accessed Nov. 7, 2018.
- PERFIT rubber watch band with double prong buckle and spring bars for sale at www.amazon.com. Website accessed Nov. 7, 2018.
- Waterproof diving silicone rubber strap with clasp for sale at www.aliexpress.com (Alibaba Group). Website accessed Feb. 7, 2018.
- Damusy Fitness Tracker Smart Band for sale at www.activityandfitness trackers.com. Website accessed Nov. 10, 2018.
- Volemer F09HR Smart Band Fitness Tracker for sale at www.epaky.com. Website accessed Nov. 10, 2018.
- “First Look: Fitbit announces new Fitbit Alta activity tracker”, published Feb. 3, 2016 on DC Rainmaker (www.dcrainmaker.com). Website accessed Nov. 10, 2018.
- Fitbit Alta—for sale by Fitbit (<https://www.fitbit.com/alta>). Website accessed Mar. 27, 2017.
- Fitbit Alta review published Mar. 25, 2016 on C|Net (www.cnet.com). Website accessed Nov. 10, 2018.
- Fitbit Charge 2 Heart Rate and Fitness Wristband for sale at www.amazon.co.uk. Website accessed Feb. 7, 2018.
- Fitbit Flex Wireless Activity and Sleep Wristband for sale at www.amazon.com. Listed at least as early as Apr. 16, 2013.
- Fitbit Ionic Accessory Band for sale at Nordstrom (<https://shop.nordstrom.com>). Website accessed Nov. 7, 2018.
- Fitbit Alta HR Bands for sale at the Fitness Equipment Shop (www.thefitnessequipmentshop.com). Website accessed Nov. 17, 2018.
- Luminox Replacement Rubber Watch Band Strap for sale at Walmart (www.walmart.com). Website accessed Nov. 7, 2018.
- “MPOW DS-D6 Fitness Band Review” published Jan. 13, 2018 on ZeroAir (www.zeroair.wordpress.com). Website accessed Nov. 10, 2018.
- “Fitbit Product Teardown” on Pinterest, pinned from www.ifixit.com. Website accessed Feb. 27, 2017.
- Pro Elite Medicine Ball by Power Systems (www.power-systems.com). Website accessed Feb. 7, 2018.
- Replacement metal watch band Connector for Fitbit Alta/Fitbit Alta HR for sale at Banggood (www.banggood.com). Website accessed Nov. 10, 2018.
- Citrine by the Stones Sol Forearm Band for sale at Shopbop (www.shopbop.com). Website accessed Nov. 11, 2018.
- Gotjana Mia Wrap Cuff for sale at Shopbop (www.shopbop.com). Website accessed Nov. 11, 2018.
- Fintie for Gear S2 Watch Band Stainless Steel Metal Replacement Strap, for sale at www.amazon.com. Website accessed Apr. 24, 2019.
- Fitbit Inspire HR review: One size, many styles, fit all, posted May 24, 2019, [retrieved Jun. 5, 2019]. Retrieved from Internet, <URL: <https://www.macworld.com/article/3397320/fitbit-inspire-hr-review.html>>.
- The New Fitbit Inspire HR Is Finally Available to the Public!, posted Mar. 6, 2019, [retrieved Jun. 5, 2019]. Retrieved from Internet, <URL: <https://amyeverafter.com/new-fitbit-inspire-hr-smartwatch/>>.
- Samsung’s 6th smartwatch has a 3G modern and a massive curved display, posted Aug. 28, 2014, [retrieved Jun. 5, 2019]. Retrieved from Internet, <URL: <https://arstechnica.com/gadgets/2014/08/samsungs-6th-smartwatch-has-a-3g-modern-and-a-massive-curved-display/>>.
- Microsoft Band 2 Fitness Tracker with Curved Screen Announced, posted Oct. 7, 2015, [retrieved Jun. 5, 2019]. Retrieved from Internet, <URL: <https://gadgets.in.com/microsoft-band-2-fitness-tracker-with-curved-screen-announced.html>>.
- Samsung Introduces Three New Wearables for Balanced and Connected Living, Samsung Newsroom, posted Feb. 20, 2019, accessed Feb. 25, 2019. <URL: <https://news.samsung.com/us/samsung-wearable-galaxy-watch-active-galaxy-fit-galaxy-buds-unpacked-2019/>>.
- Wang et al., “Integrity Protection for Code-On-Demand Mobile Agents,” Journal of Systems and Software, vol. 60, Issue 3, pp. 211-221, downloaded from: <https://www.researchgate.net/researcher/9579357TianhanWang>, Feb. 15, 2002.
- Seifert, “Making Time: how Pebble built its next smartwatch,” downloaded from: <http://www.theverge.com/2015/2124/8091175/pebble-time-watchwearable-platform-eric-migicovsky-interview>, The Verge, Feb. 24, 2015.
- Fitbit Charge 3 leak hints at massive changes, posted Aug. 14, 2018, [retrieved Jan. 29, 2019]. Retrieved from Internet, <URL: <https://www.slashgear.com/fitbit-charge-3-leak-hints-at-massive-changes-14541228/>>.
- New Fitbit is a waterproof smartwatch in disguise, posted Aug. 28, 2018, [retrieved Jan. 29, 2019]. Retrieved from Internet, <URL: https://www.fox5vegas.com/archives/new-fitbit-is-a-waterproof-smartwatch-in-disguise/article_277bf36f-2e79-5b48-b490-1abce7603fae.html>.
- Silicone Rubber Waterproof Watch Strap Band Forte Spring Bars, for sale at eBay (<https://www.ebay.com.au/itm/Silicone-Rubber-Waterproof-Watch-Strap-Band-FORTE-Spring-Bars-20mm-22mm-24mm-/272077865335>). Website accessed Dec. 6, 2019.
- Kartice Compatible with Fitbit Inspire Bands/Fitbit Inspire HR Bands, for sale at www.amazon.com. Website accessed Jun. 10, 2019.
- Tuscom Replacement Bands Compatible with Fitbit Inspire and Fitbit Inspire HR, for sale at www.amazon.com. Website accessed Jun. 10, 2019.
- ACBEE Fitbit alta Band, Watch Buckle Design, for sale on amazon.com (https://www.amazon.com/ACBEE-Perfect-Replacement-Original-Band-Never/dp/B01G2IECXO/ref=as_li_ss_tlie=UTF8&linkCode=sll1&tag=mbyte-20&linkId=d7045d83d76ae70cec2212,2019.55ad2f282088&linkCode=w61&imprToken=n-LMJ6kaAeLbRPMusOUq7A&slotNum=14). Website accessed Jun. 12, 2019.
- Gold premium NATO strap Le Mans, for sale at cheapestnatostraps.com (<https://www.cheapestnatostraps.com/products/gold-premium-nato-strap-le-mans>). Website accessed Dec. 6, 2019.
- Alfawise H19 RFID Sports Smartwatch Fitness Tracker for sale at gearbest.com (https://www.gearbest.com/smart-watches/pp_009207049039.html?wid=1433363). Website accessed Dec. 6, 2019.
- Fitbit Versa Smartwatch and Activity Tracker with Classic Band for sale at HSN (<https://www.hsn.com/products/fitbit-versa-smartwatch-and-activity-tracker-with-class/8688605>). Website accessed Dec. 6, 2019.
- Fitbit Versa Smartwatch for sale at kohls.com (<https://www.kohls.com/product/prd-3296179/fitbit-versa-smart-fitness-watch-non-nfc.jsp>). Website accessed Dec. 6, 2019.
- Princeton University 18mm NATO Watch Strap with Silver Fittings for sale at Smart Turnout (<https://smartturnout.com/university-watchstrap-princeton-university/>). Website accessed Dec. 6, 2019.
- Fitbit Ace 2 activity tracker for kids 6+, for sale at fitbit.com (<https://www.fitbit.com/us/products/trackers/ace2?sku=414BKBU>). Website accessed Jan. 2020.
- Samsung Galaxy Fit, Black, available from Samsung (<https://www.samsung.com/us/mobile/wearables/smart-fitness-bands/samsung-galaxy-fit-sm-r370nzkaxar/>). Website accessed Mar. 16, 2020.
- “Colorful TPE Strap Replacement Sport Wrist Watch Band for Xiaomi Miband 3 Miband 4—No. 2” available from Banggood (https://www.banggood.in/Colorful-TPE-Strap-Replacement-Sport-Wrist-Watch-Band-for-Xiaomi-Miband-3-Miband-4-p-1307559.html?ID=529070&cur_warehouse=CN). Website accessed Mar. 16, 2020.

* cited by examiner

Primary Examiner — George D. Kirschbaum

Assistant Examiner — Joseph J Kukella

(74) *Attorney, Agent, or Firm* — Polson Intellectual Property Law, PC; Margaret Polson

(57) **CLAIM**

The ornamental design for a set of bands for a watch or smart watch, as shown and described.

DESCRIPTION

FIG. 1 is a top side isometric view of our new design for a set of bands for a watch or smart watch.

FIG. 2 is a bottom side isometric view of FIG. 1.

FIG. 3 is a front side elevation view of FIG. 1.

FIG. 4 is a back side elevation view of FIG. 1.

FIG. 5 is a left side elevation view of FIG. 1.

FIG. 6 is a right side elevation view of FIG. 1.

FIG. 7 is a top side plan is a view of FIG. 1; and,

FIG. 8 is a bottom side plan view of FIG. 1.

The features shown in dash-dash lines in the drawing depict portions of the set of bands for a watch or smart watch. The dash dot dash lines define the bounds of the claimed design.

The broken lines form no part of the claimed design.

1 Claim, 6 Drawing Sheets

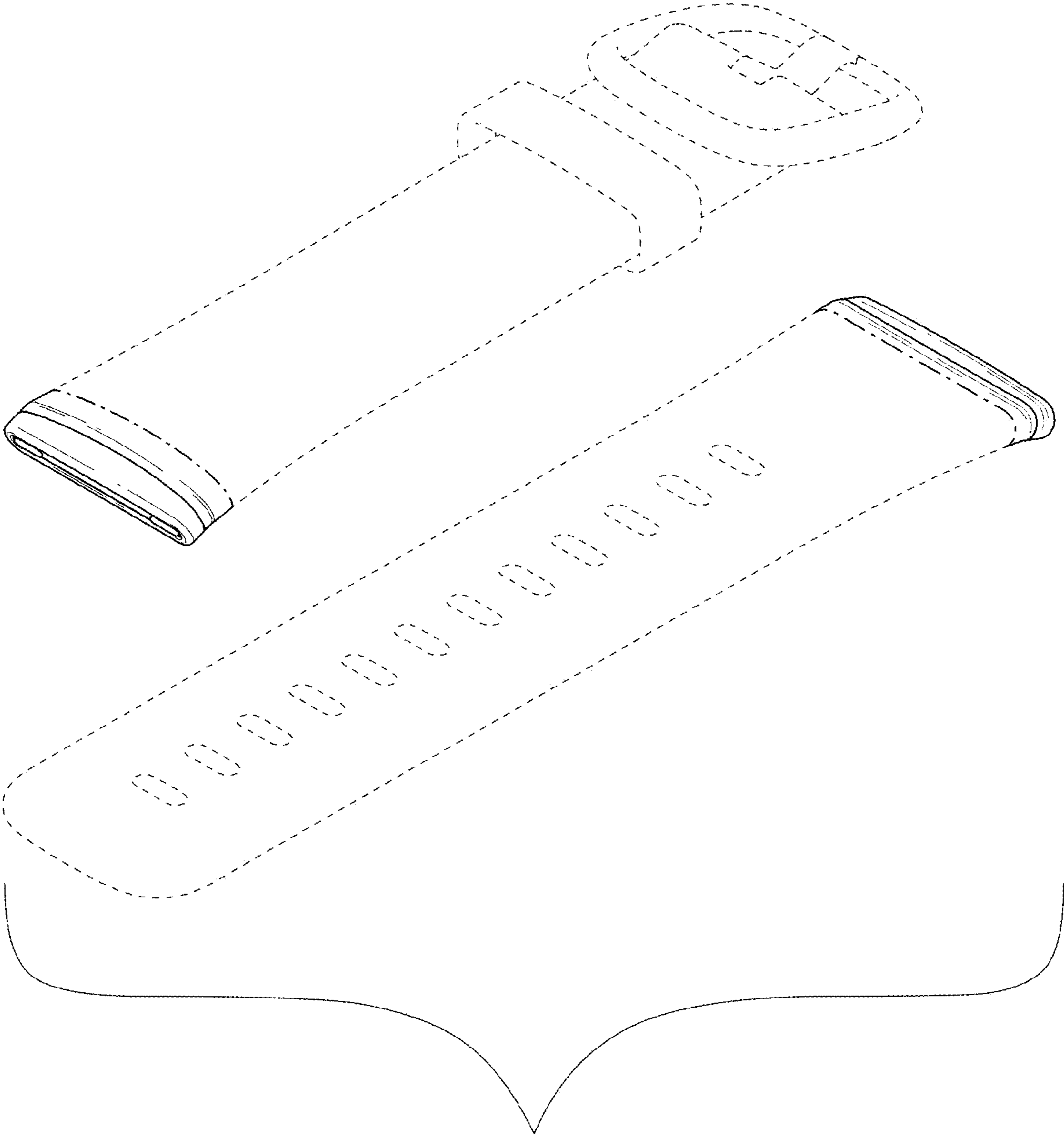


FIG. 1

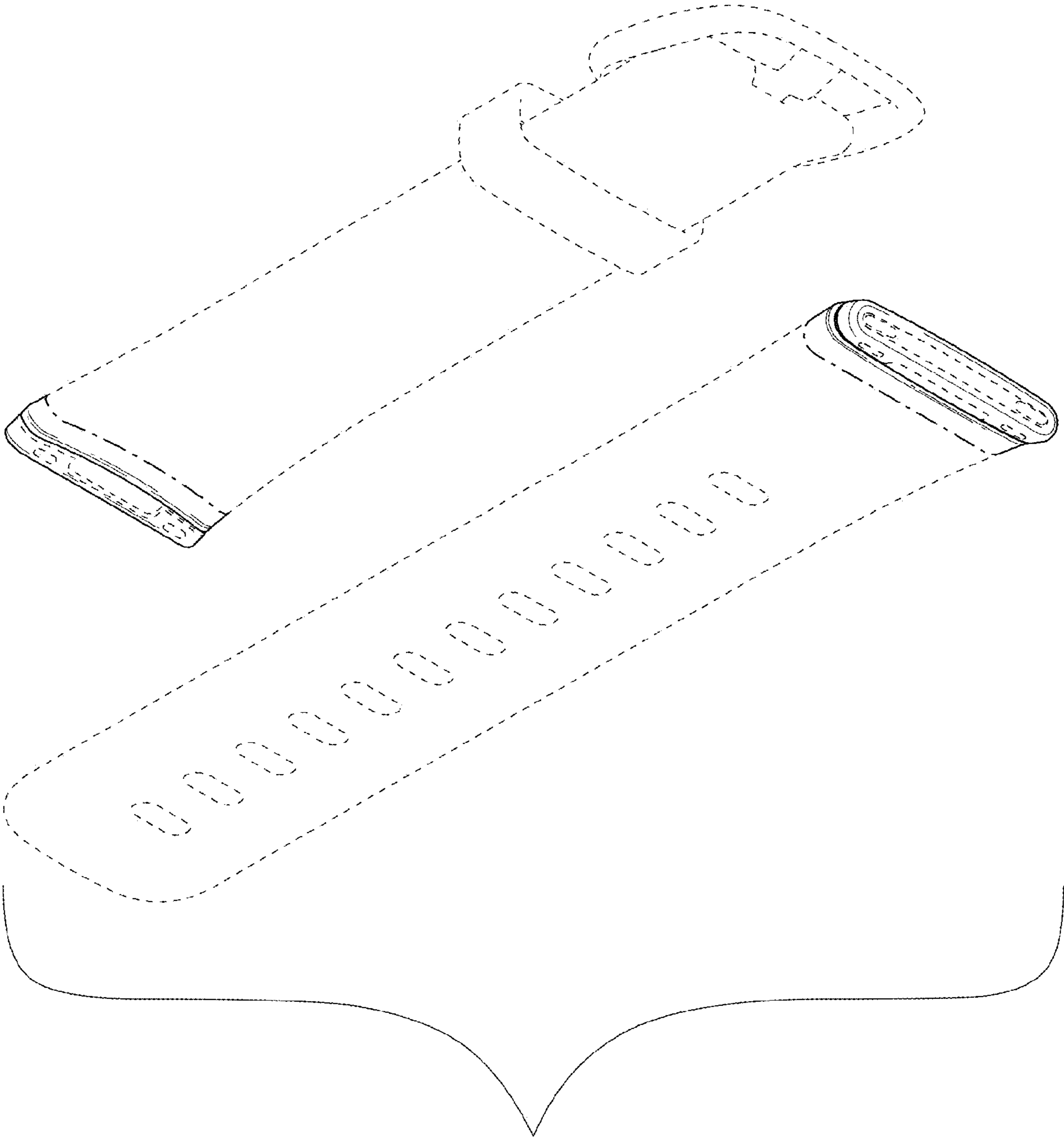


FIG. 2

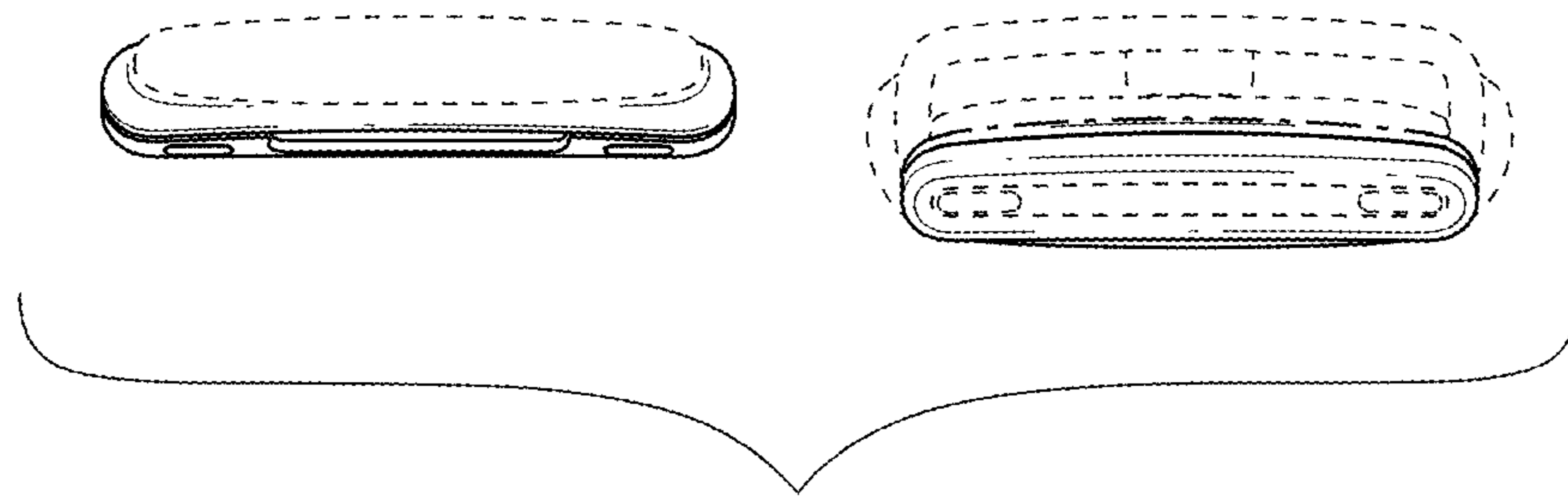


FIG. 3

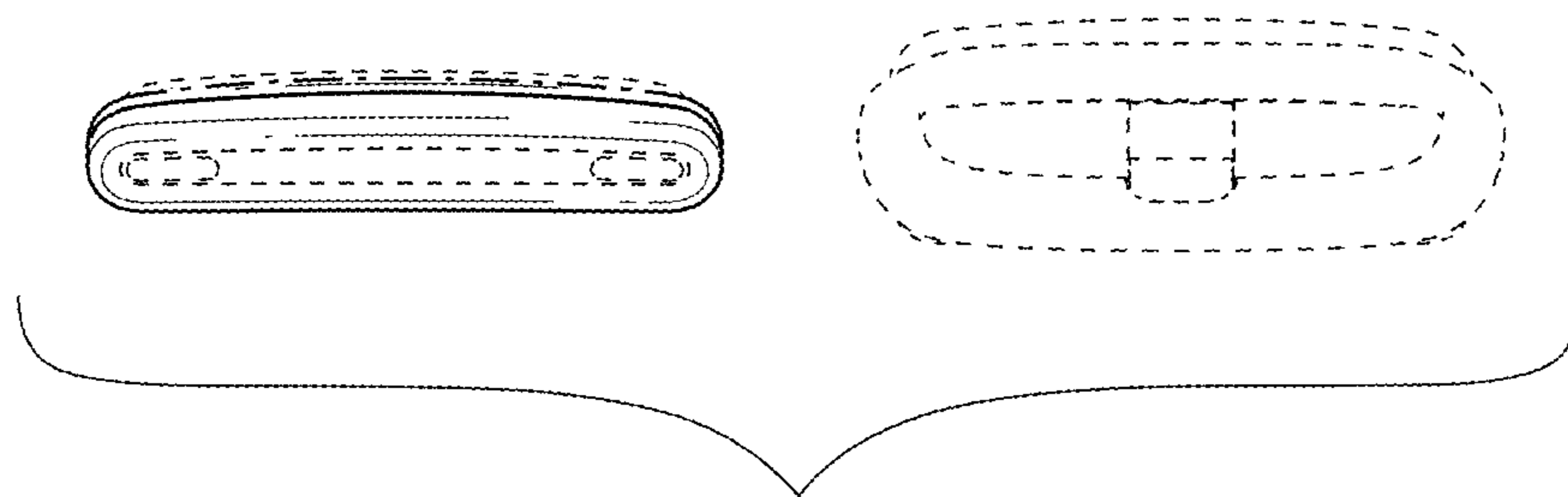


FIG. 4

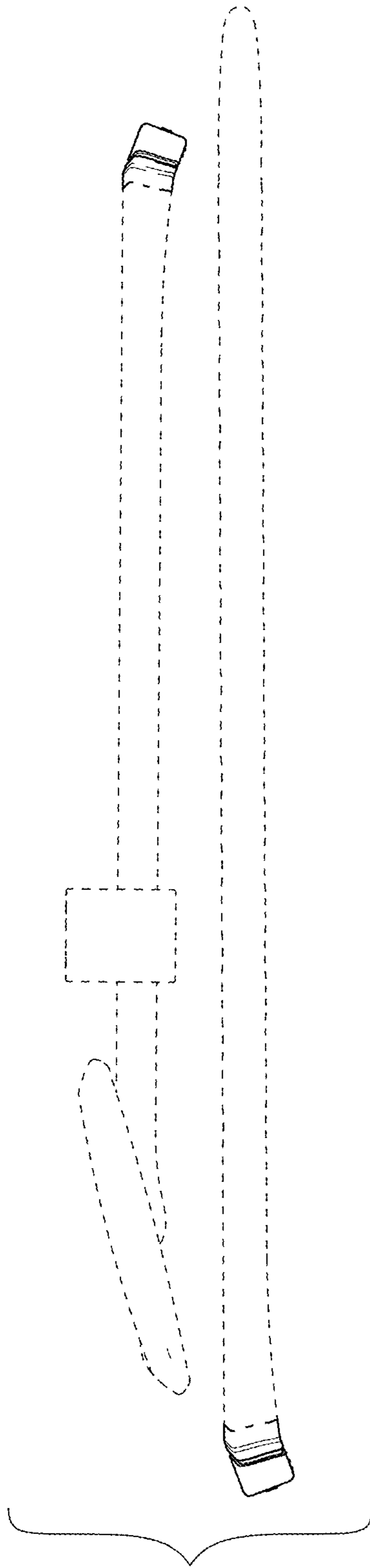


FIG. 5

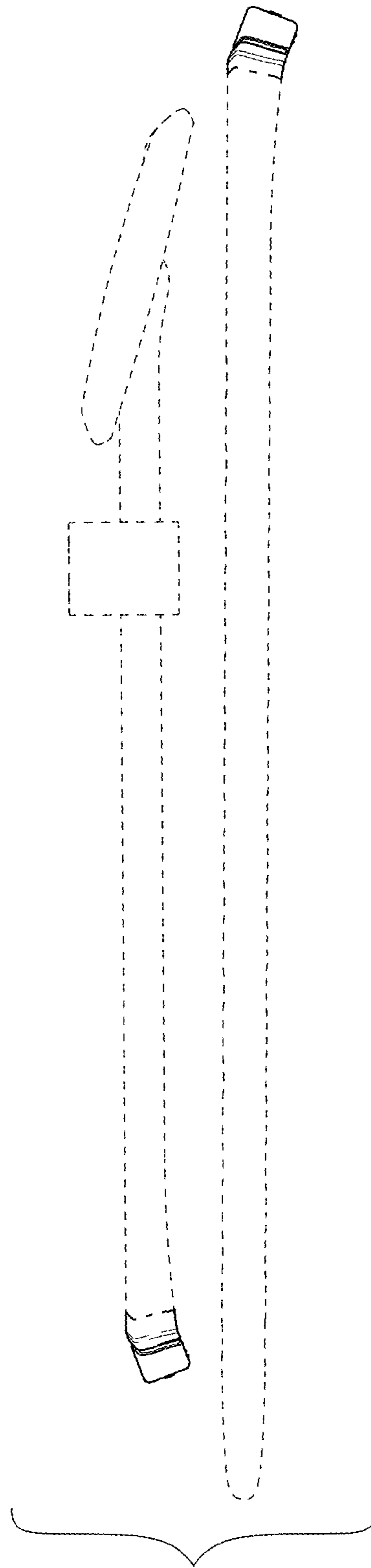


FIG. 6

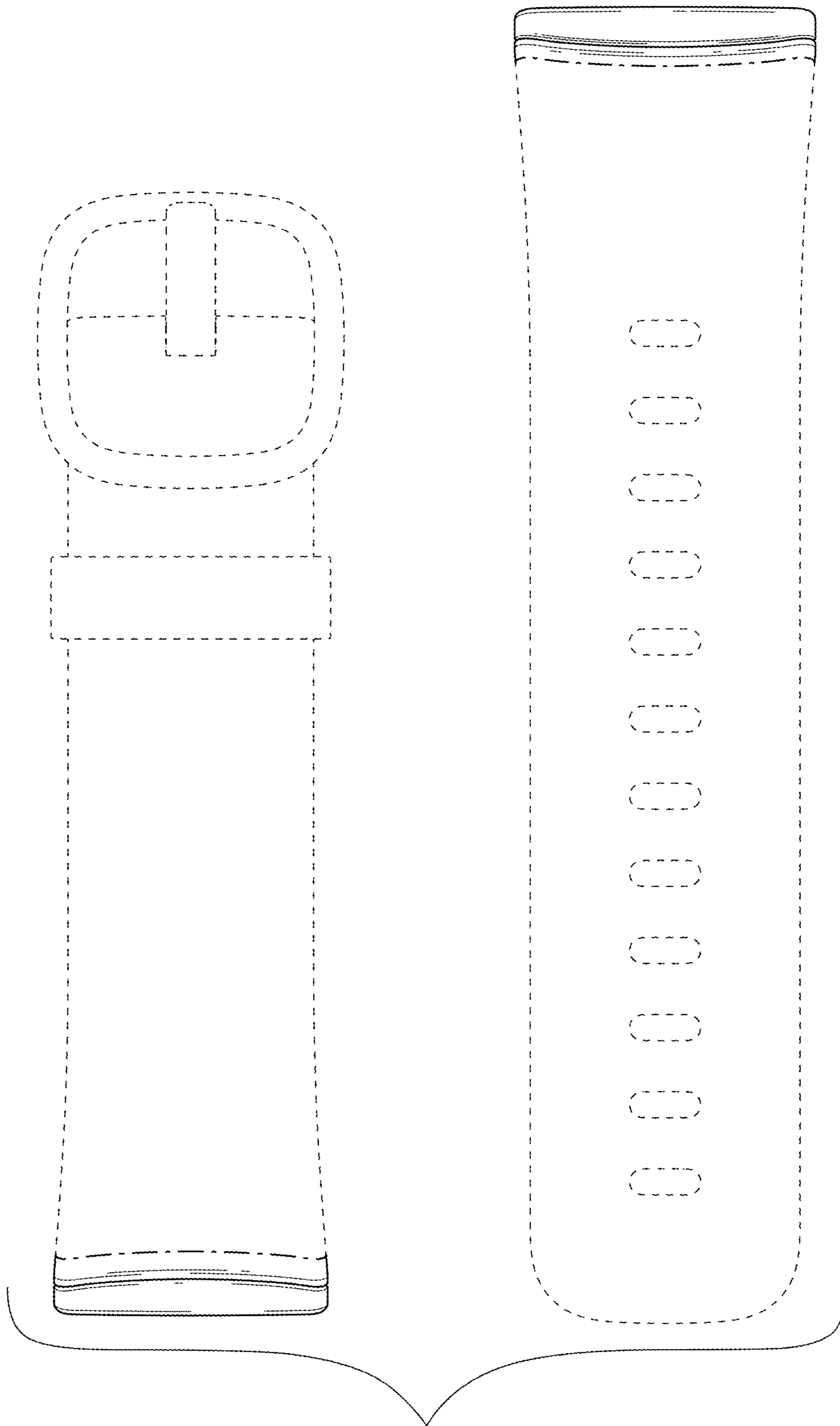


FIG. 7

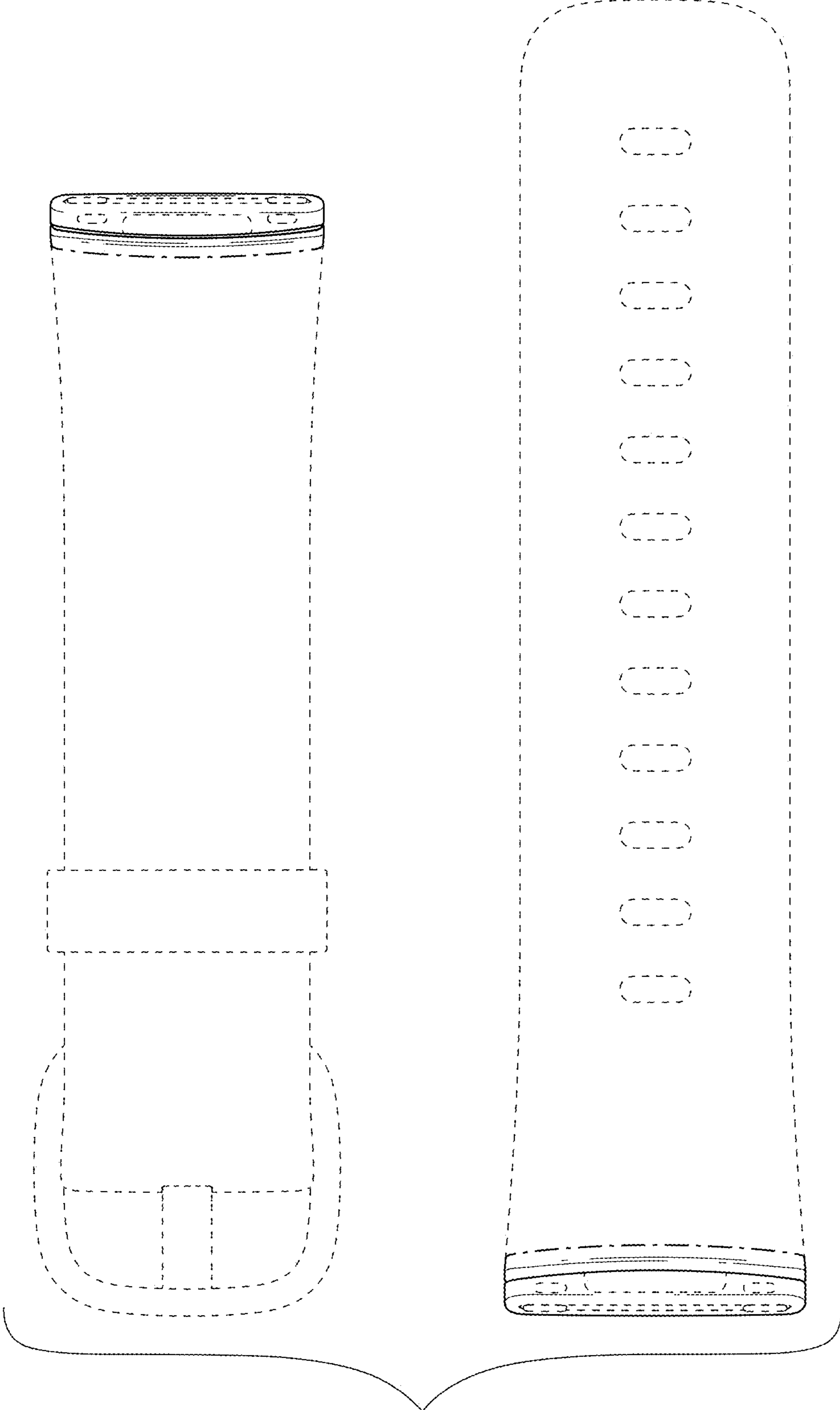


FIG. 8