



US00D909222S

(12) **United States Design Patent** (10) **Patent No.:** **US D909,222 S**
Siminoff et al. (45) **Date of Patent:** **** Feb. 2, 2021**

(54) **ALARM DEVICE**

(71) Applicant: **Amazon Technologies, Inc.**, Seattle, WA (US)

(72) Inventors: **James Siminoff**, Pacific Palisades, CA (US); **Mark Siminoff**, Mountain View, CA (US); **Ty Clark**, Gibbstown, NJ (US); **Wen-Yo Lu**, Pasadena, CA (US); **Andrew Louis Russell**, Havertown, PA (US); **Vinay Sao**, Malvern, PA (US)

(73) Assignee: **Amazon Technologies, Inc.**, Seattle, WA (US)

(**) Term: **15 Years**

(21) Appl. No.: **29/706,483**

(22) Filed: **Sep. 20, 2019**

(51) **LOC (13) Cl.** **10-05**

(52) **U.S. Cl.**
USPC **D10/106.1**

(58) **Field of Classification Search**
USPC D10/75-80, 103, 104.1, 106.1-106.95;
D14/356, 357, 358
CPC H04M 11/04; H05K 5/03
See application file for complete search history.

(56) **References Cited**

U.S. PATENT DOCUMENTS

D368,042 S *	3/1996	Pun	D10/106.6
D698,681 S *	2/2014	Kosloski	D10/106.9
D724,462 S *	3/2015	Bould	D10/106.2
D730,754 S *	6/2015	Bould	D10/53
D730,755 S *	6/2015	Bould	D10/53
D746,711 S *	1/2016	Li	D10/106.1
D766,749 S *	9/2016	Fadell	D10/53
D766,750 S *	9/2016	Fadell	D10/53
D773,948 S *	12/2016	Schneid	D10/106.2
D793,888 S *	8/2017	Hasegawa	D10/106.95
D826,757 S *	8/2018	Thornton	D10/106.1

D830,869 S *	10/2018	Siminoff	D10/106.1
D834,437 S *	11/2018	Zhang	D10/106.95
D842,154 S *	3/2019	Dimitriadis	D10/106.2
D859,195 S *	9/2019	Kristensson	D10/106.1
D865,556 S *	11/2019	Siminoff	D10/106.1
D896,117 S *	9/2020	Nagel	D10/106.91

* cited by examiner

Primary Examiner — George D. Kirschbaum

Assistant Examiner — Joseph J Kukella

(74) *Attorney, Agent, or Firm* — Lee & Hayes, P.C.

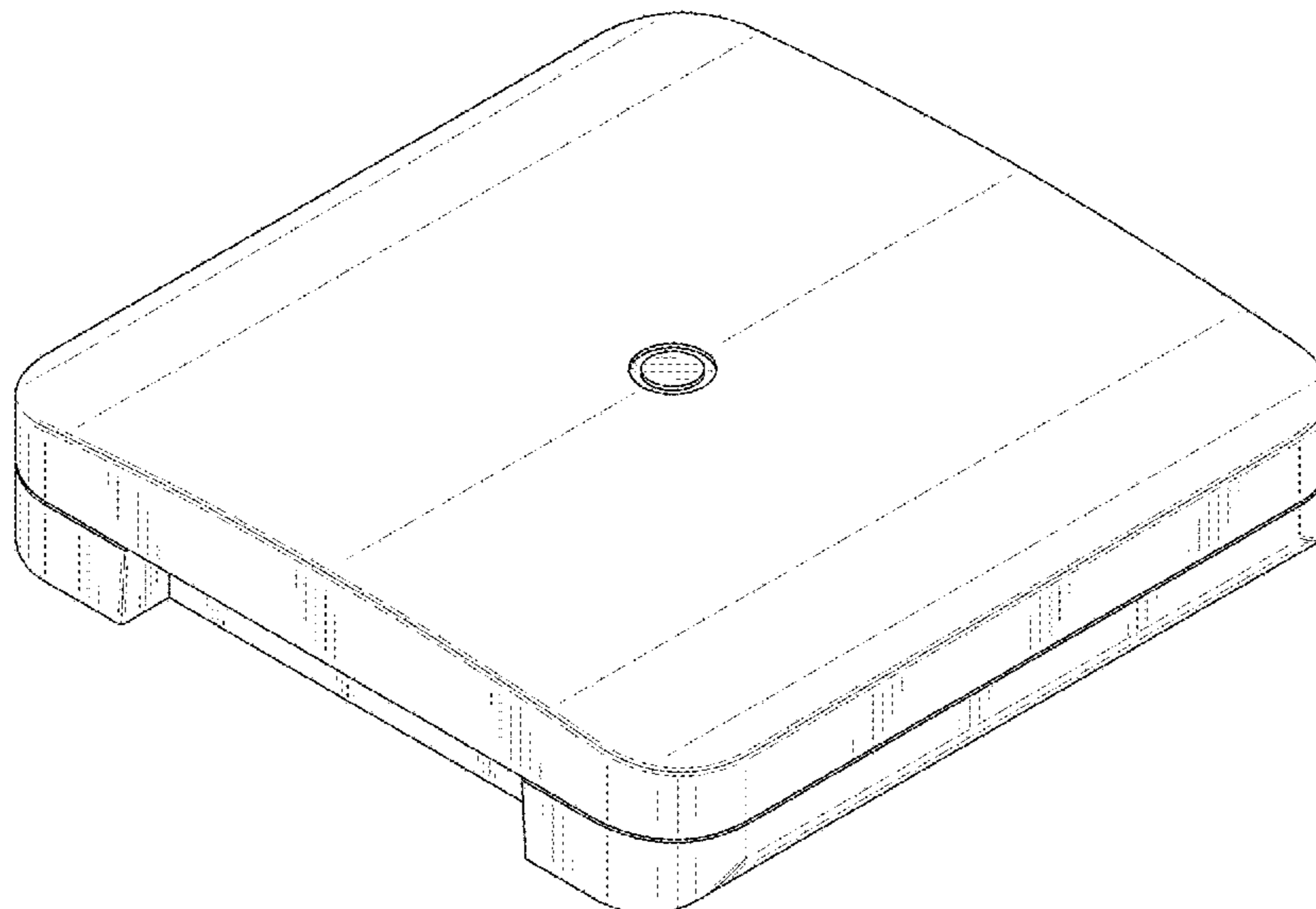
(57) **CLAIM**

The ornamental design for an alarm device, as shown and described.

DESCRIPTION

FIG. 1 is a front, right, bottom perspective view of a first embodiment of an alarm device;
 FIG. 2 is a back, right, top perspective view thereof;
 FIG. 3 is a bottom plan view thereof;
 FIG. 4 is a top plan view thereof;
 FIG. 5 is a right-side elevation view thereof;
 FIG. 6 is a left-side elevation view thereof;
 FIG. 7 is a front elevation view thereof;
 FIG. 8 is a back elevation view thereof;
 FIG. 9 is a front, right, bottom perspective view of a second embodiment of an alarm device. The second embodiment shows the alarm device of FIGS. 1-8 as graphical renderings;
 FIG. 10 is a back, right, top perspective view thereof;
 FIG. 11 is a bottom plan view thereof;
 FIG. 12 is a top plan view thereof;
 FIG. 13 is a right-side elevation view thereof;
 FIG. 14 is a left-side elevation view thereof;
 FIG. 15 is a front elevation view thereof; and,
 FIG. 16 is a back elevation view thereof.
 The broken lines depict portions of the alarm device that form no part of the claimed design.

1 Claim, 16 Drawing Sheets



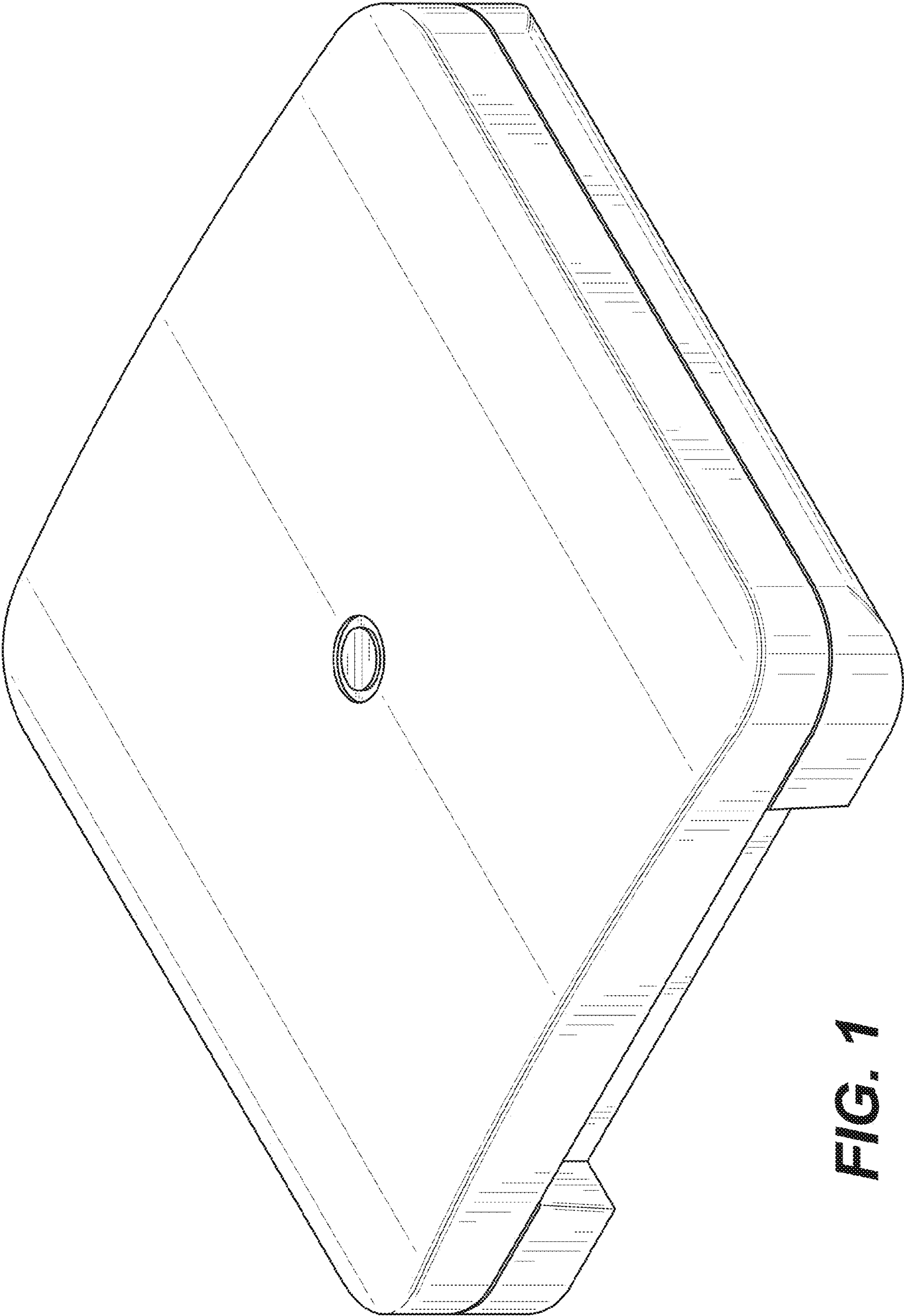


FIG. 1

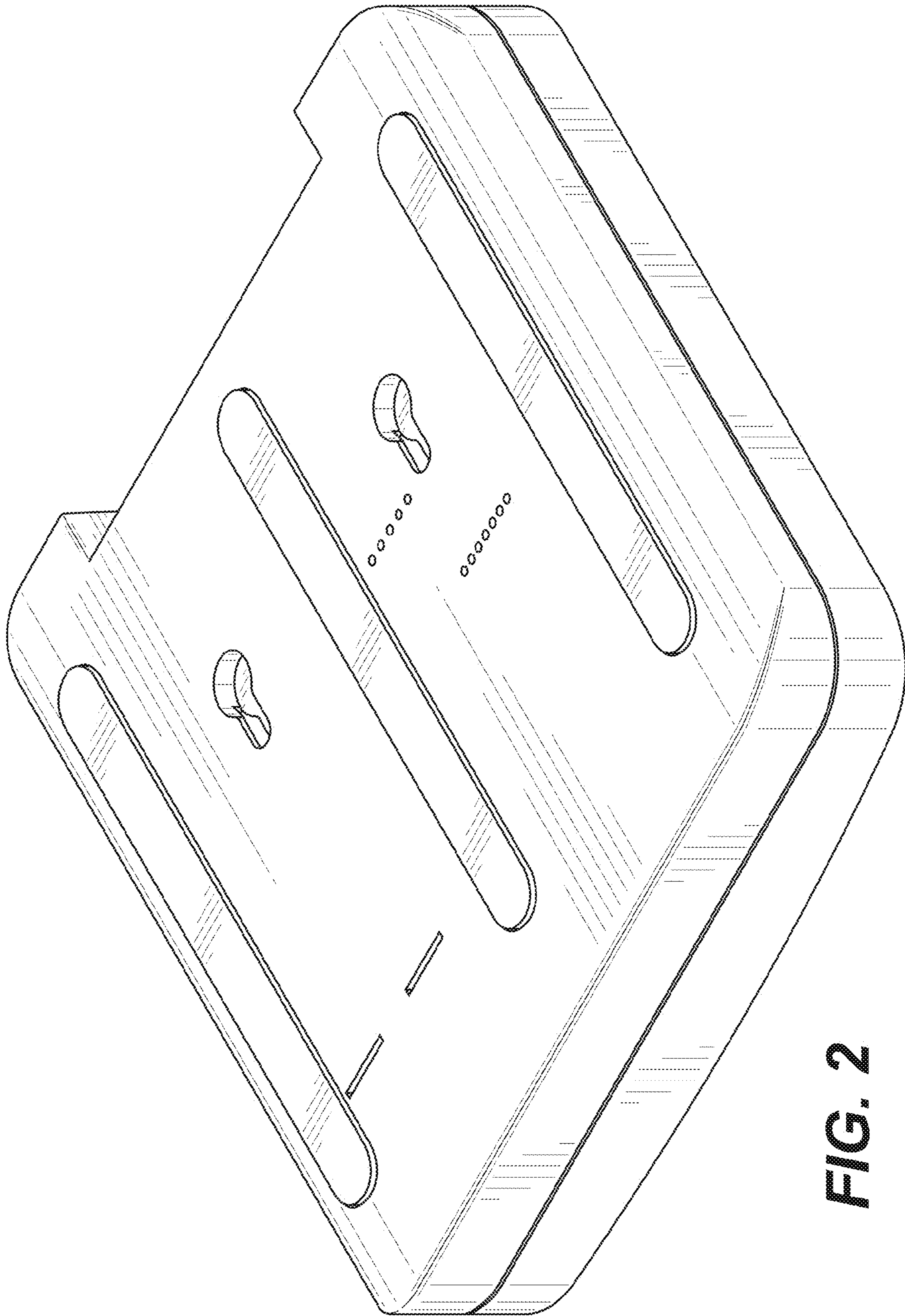


FIG. 2

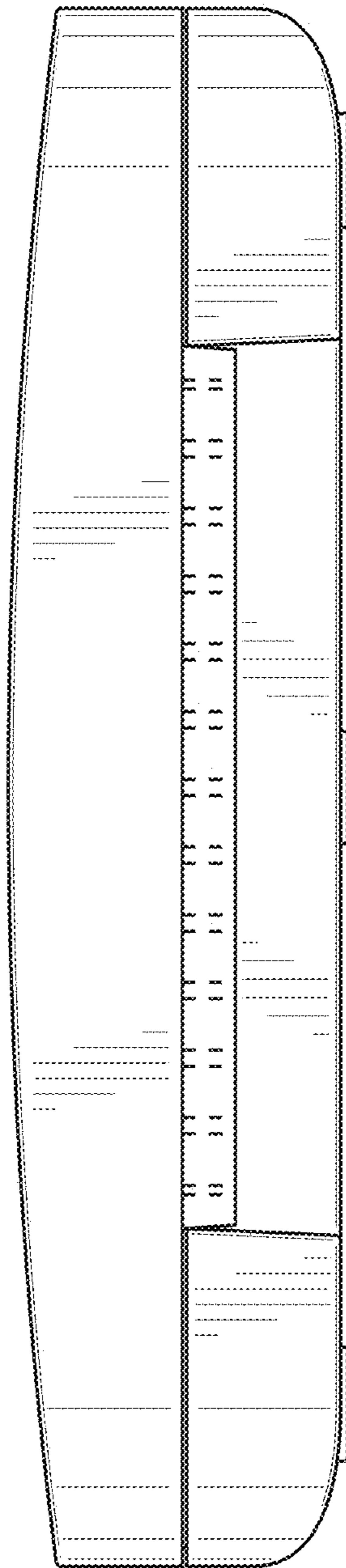


FIG. 3

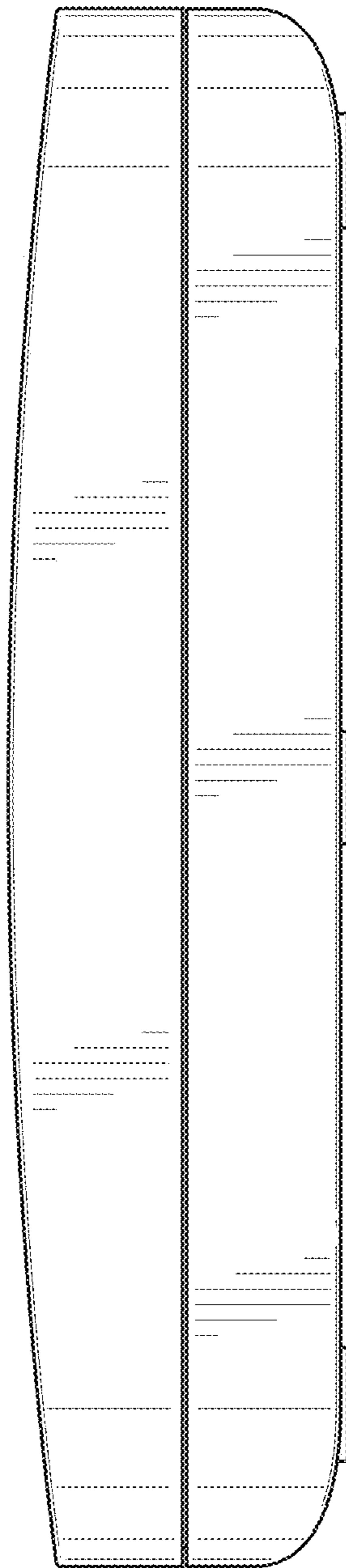


FIG. 4

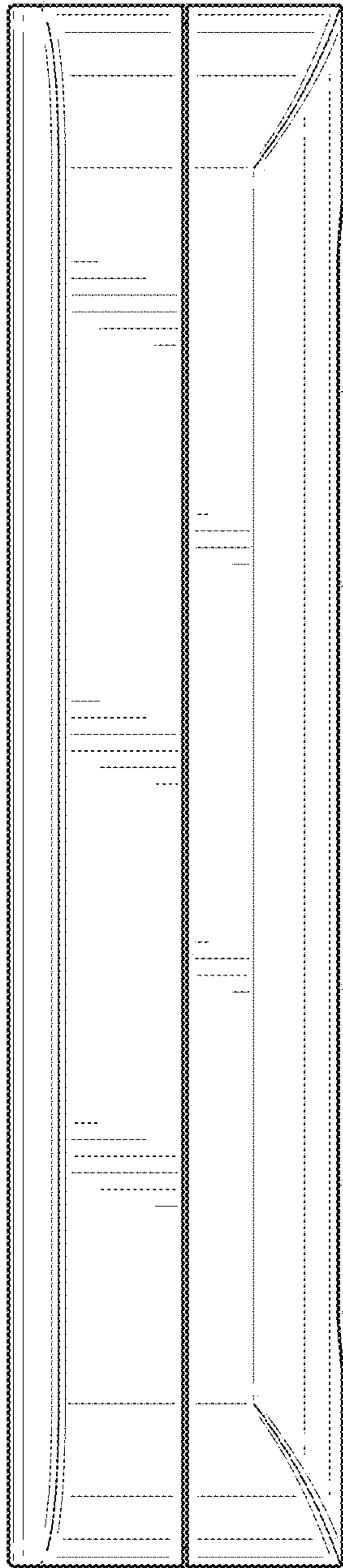


FIG. 5

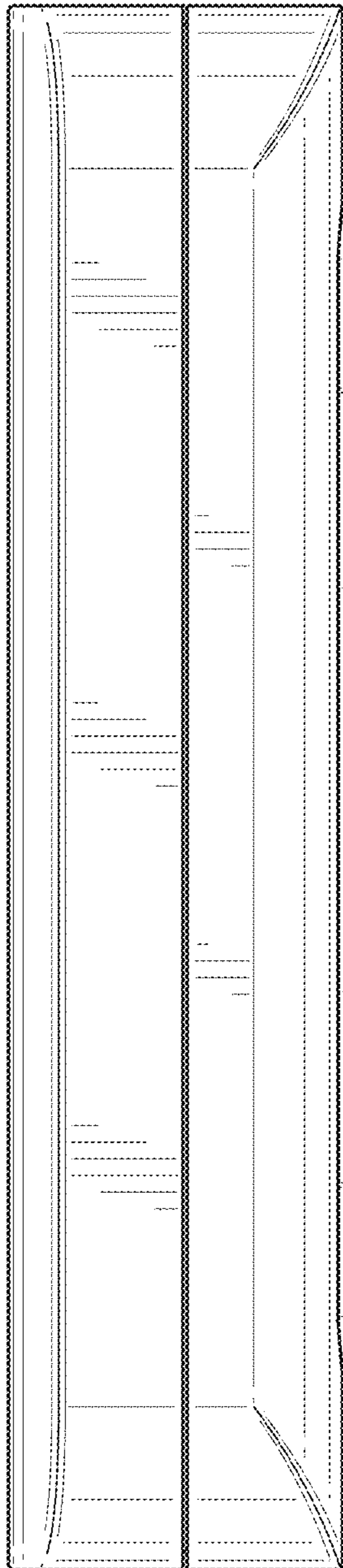


FIG. 6

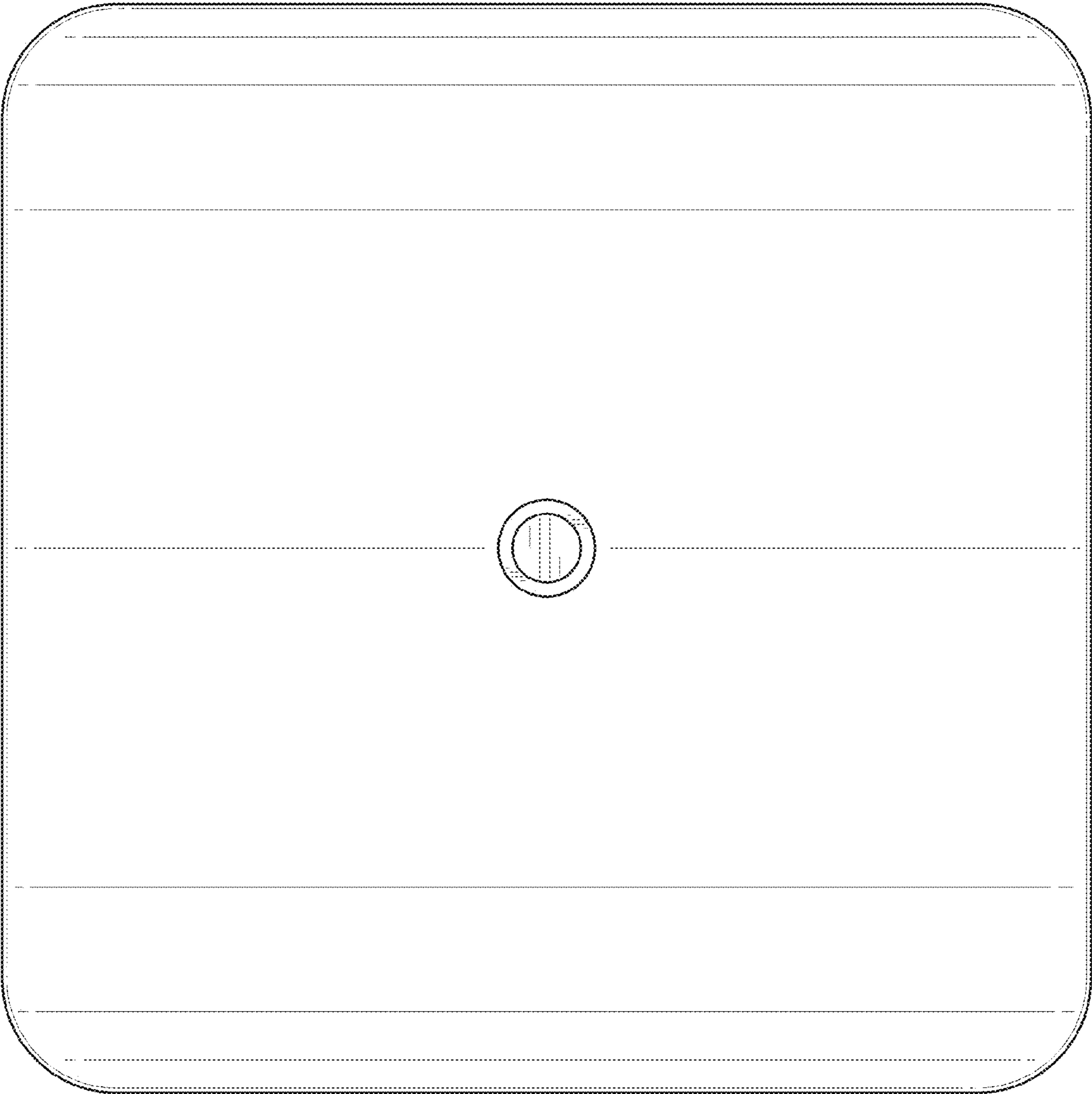


FIG. 7

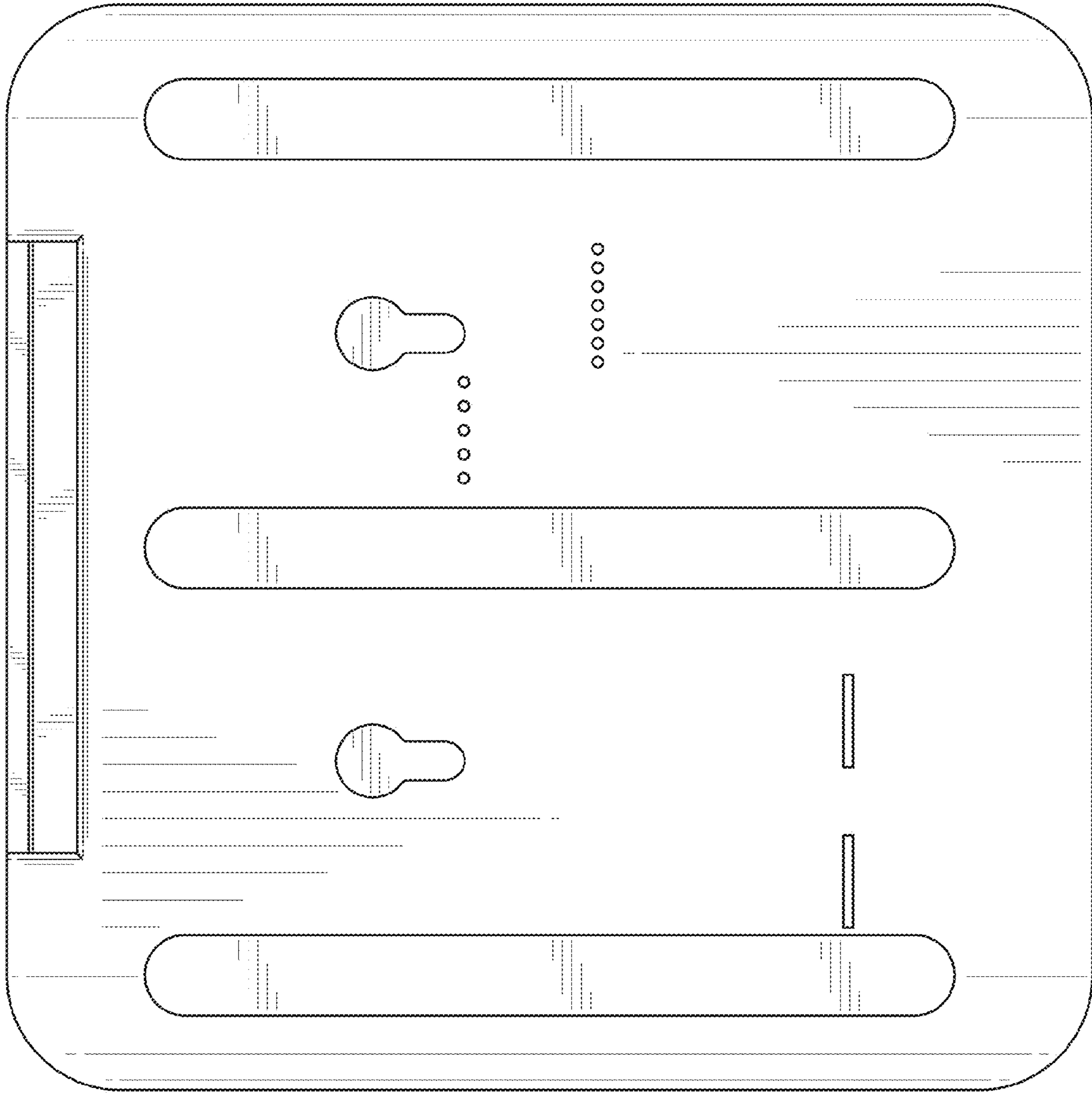


FIG. 8

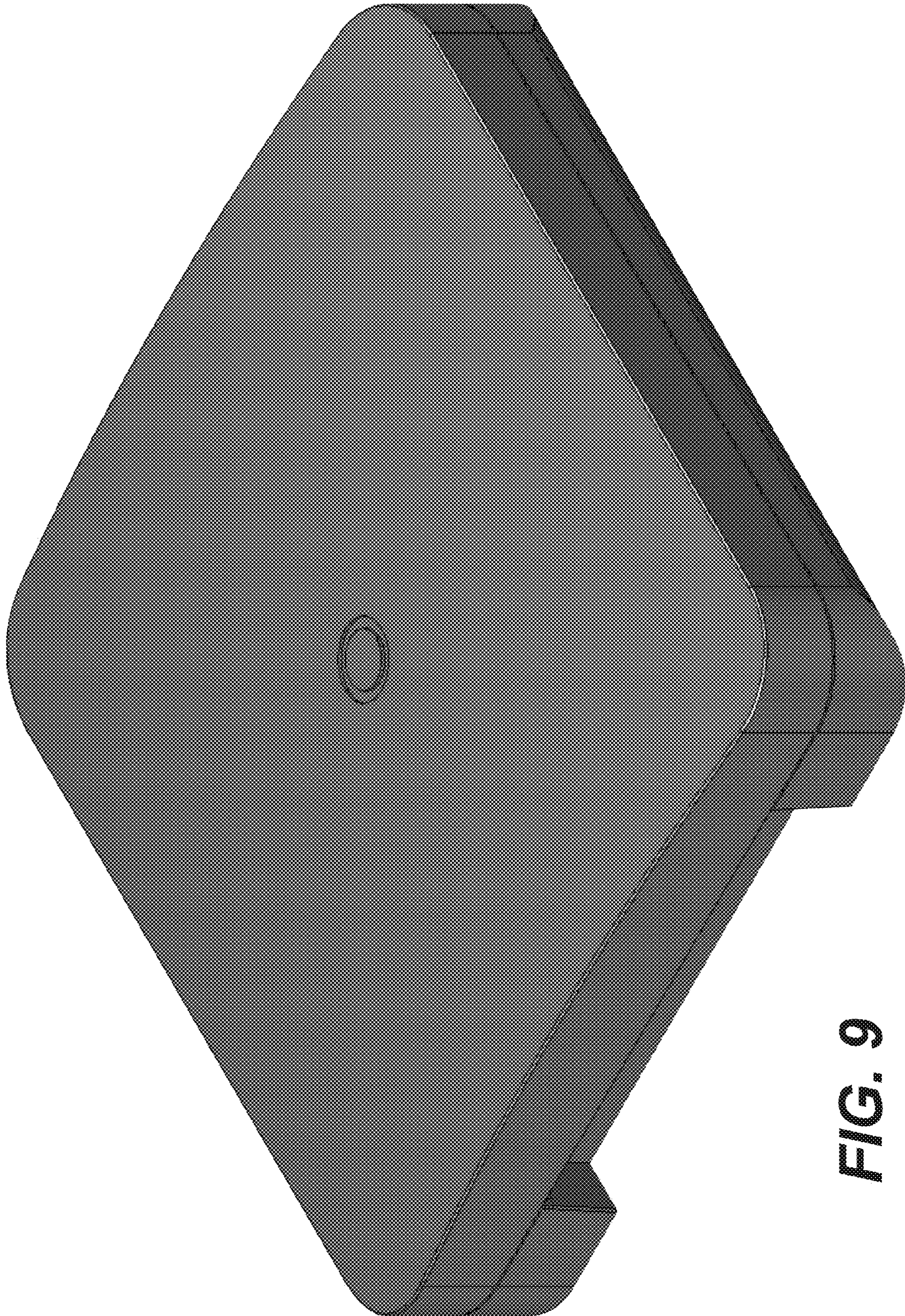


FIG. 9

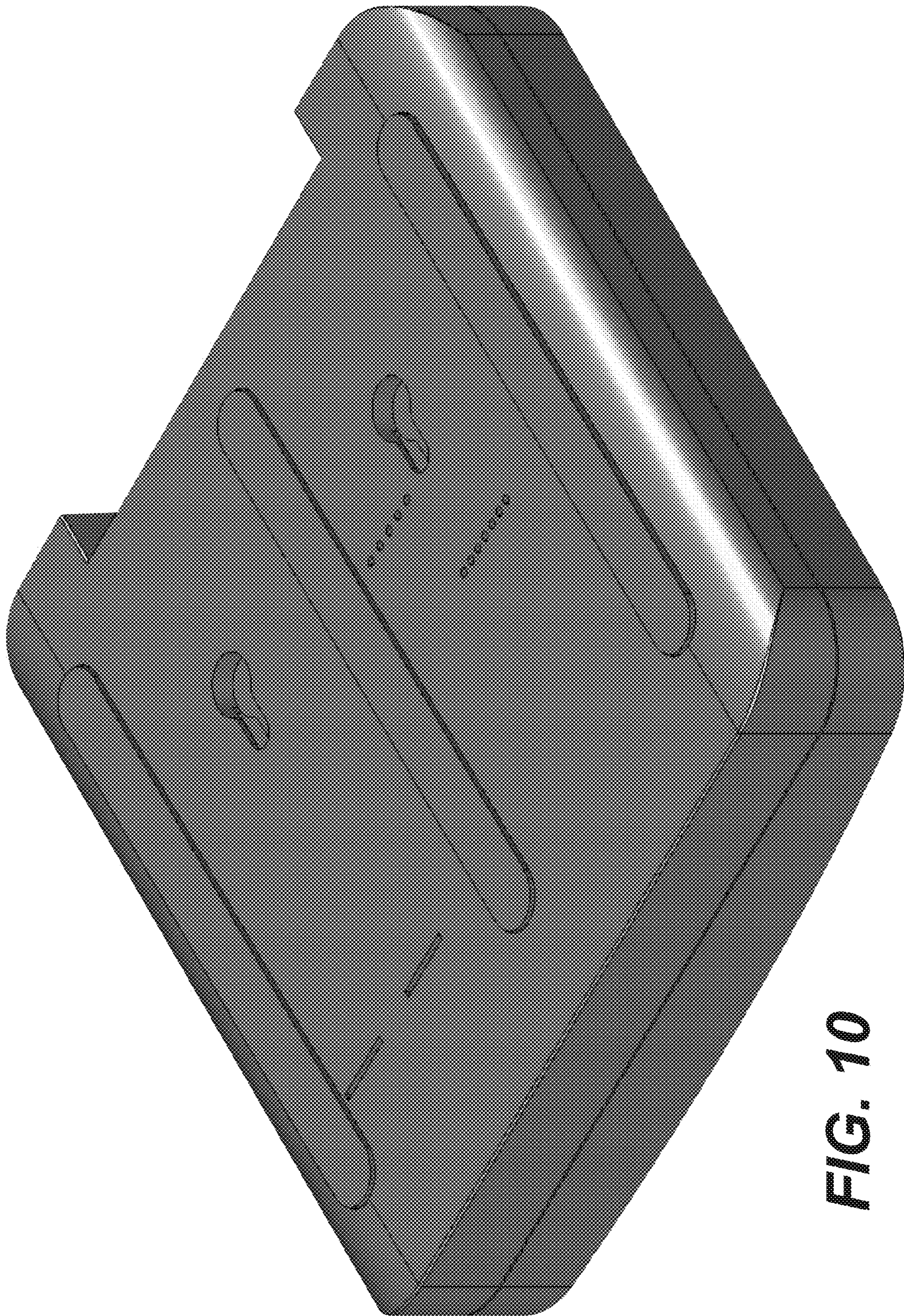


FIG. 10

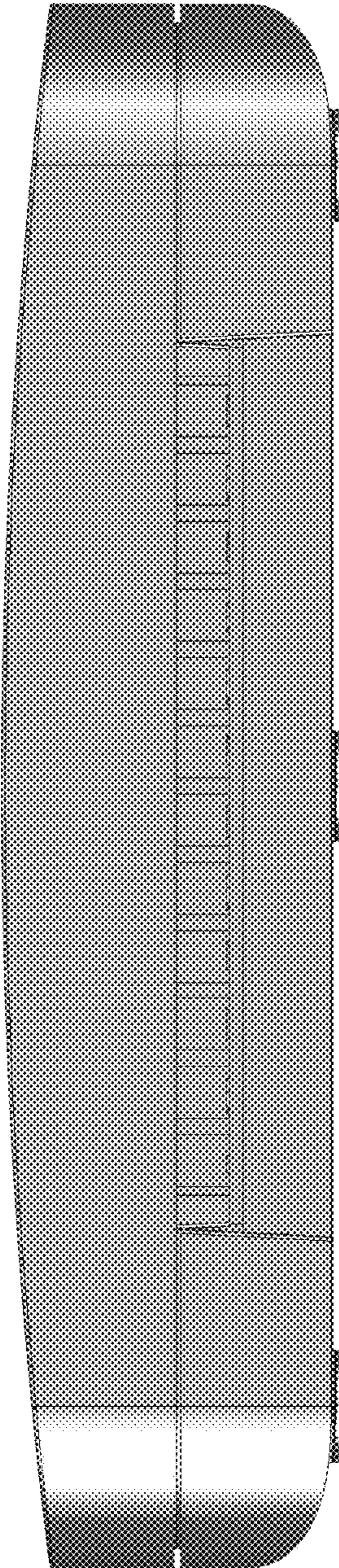


FIG. 11

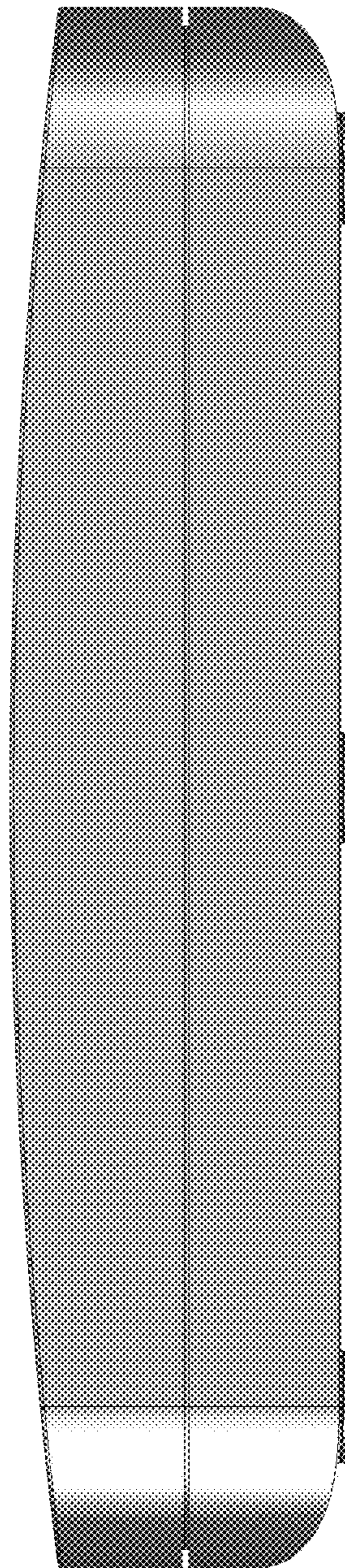


FIG. 12

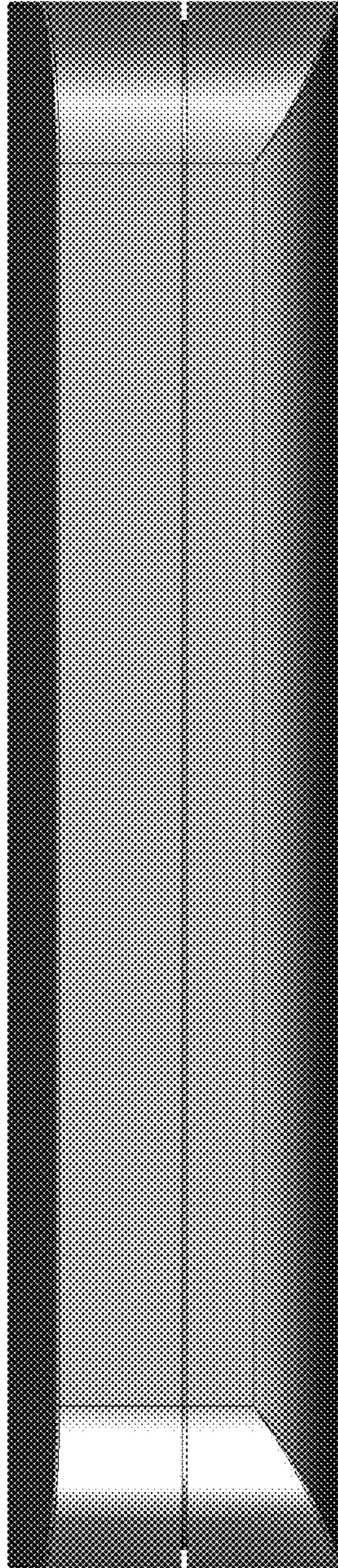


FIG. 13

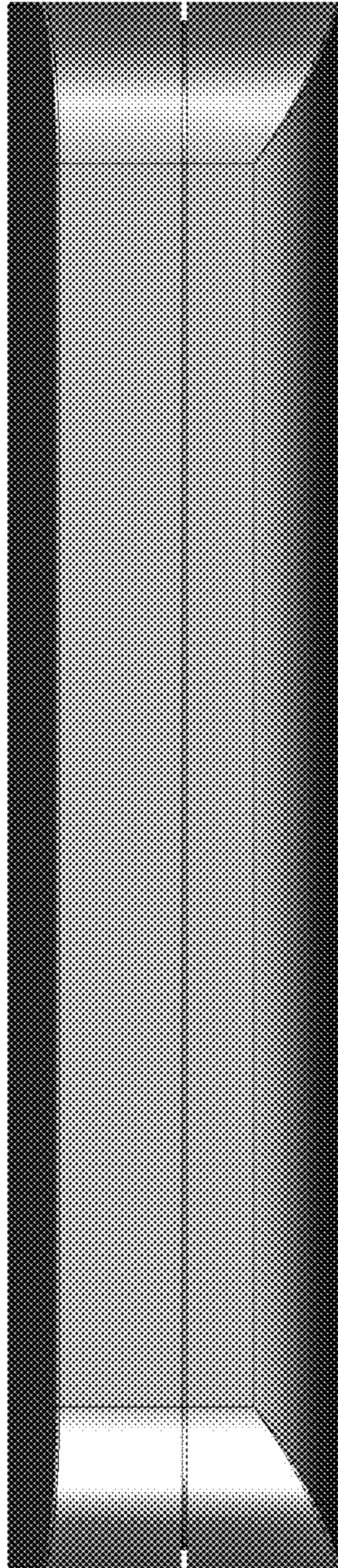


FIG. 14

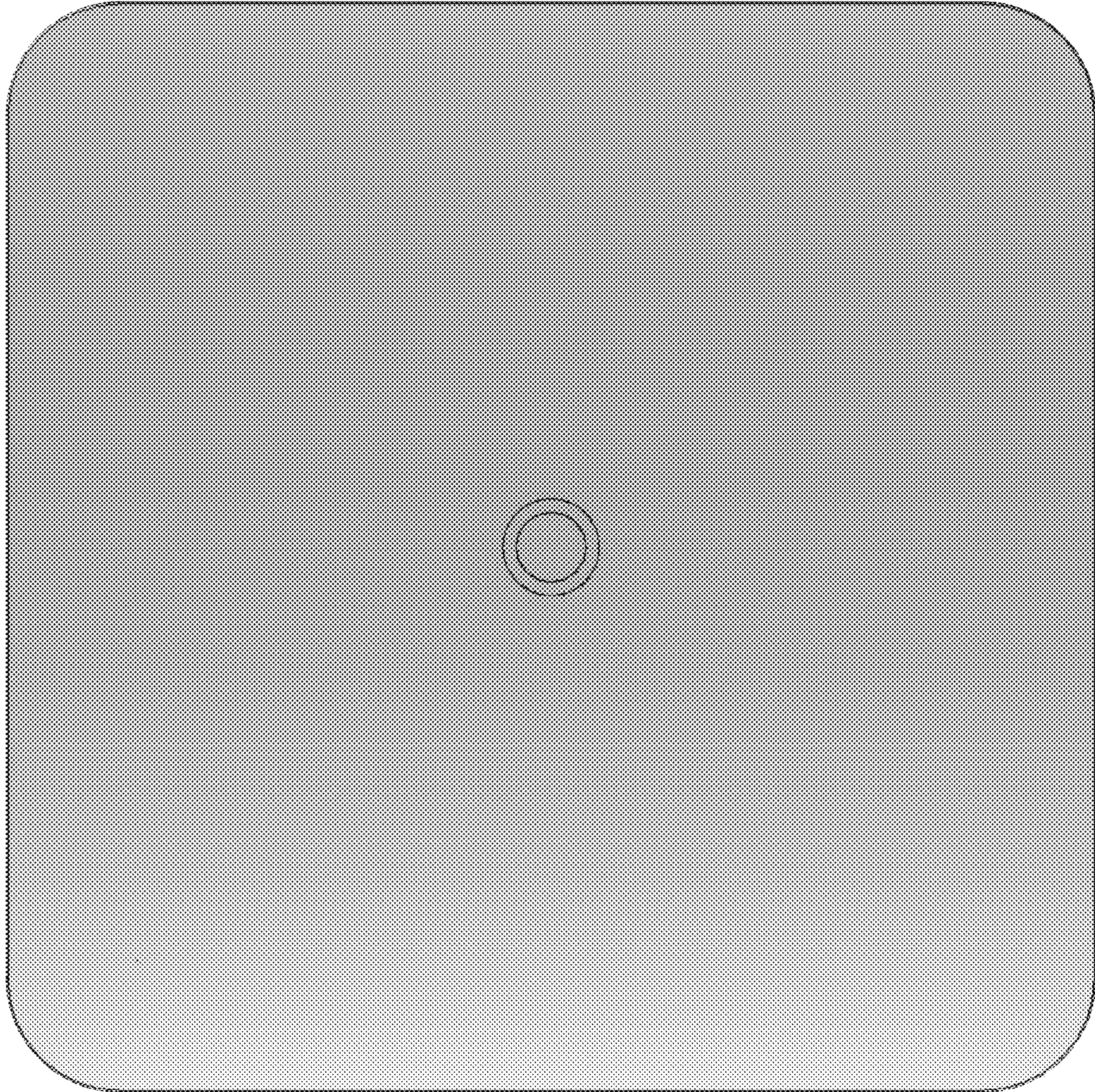


FIG. 15

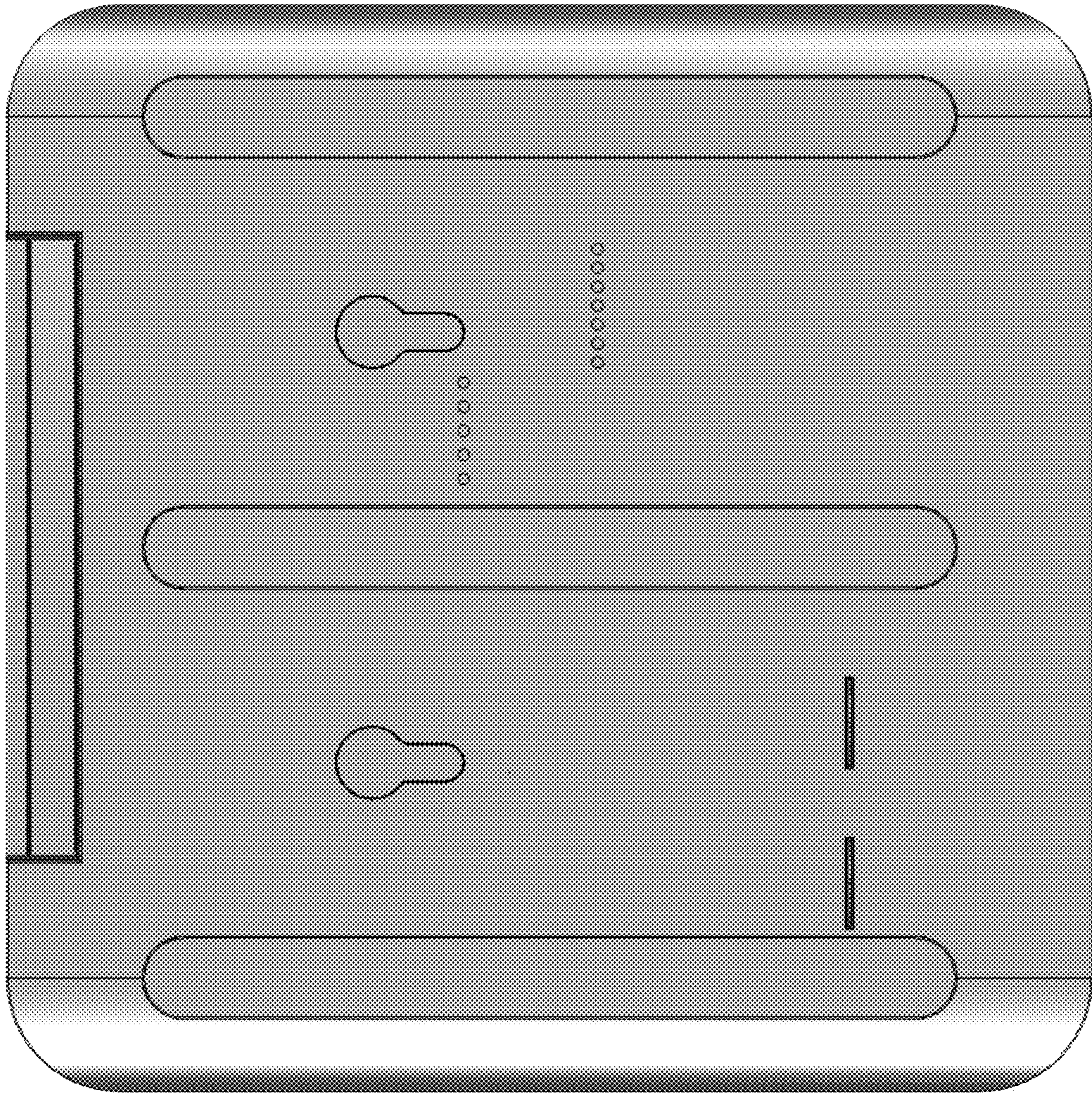


FIG. 16