



US00D909221S

(12) **United States Design Patent** (10) **Patent No.:** **US D909,221 S**  
**Kopp** (45) **Date of Patent:** **\*\* Feb. 2, 2021**

(54) **MEASURING INSTRUMENTS**

(71) Applicant: **REFCO Manufacturing Ltd.**,  
Hitzkirch (CH)

(72) Inventor: **Julia Kopp**, Kreuzlingen (CH)

(73) Assignee: **REFCO Manufacturing Ltd.**,  
Hitzkirch (CH)

(\*\*) Term: **15 Years**

(21) Appl. No.: **29/686,927**

(22) Filed: **Apr. 9, 2019**

(30) **Foreign Application Priority Data**

Oct. 9, 2018 (EM) ..... 005780509-0001

(51) **LOC (13) Cl.** ..... **10-04**

(52) **U.S. Cl.**  
USPC ..... **D10/96**

(58) **Field of Classification Search**  
USPC ..... D10/46, 96  
See application file for complete search history.

(56) **References Cited**

U.S. PATENT DOCUMENTS

D709,394 S \* 7/2014 Ruoff ..... D10/96  
9,122,920 B1 \* 9/2015 Sacerio ..... G06K 9/00369  
D891,279 S \* 7/2020 Gilley ..... D10/96

\* cited by examiner

*Primary Examiner* — Antoine Duval Davis

(74) *Attorney, Agent, or Firm* — Muncy, Geissler, Olds & Lowe, P.C.

(57) **CLAIM**

The ornamental design for a measuring instruments, as shown and described.

**DESCRIPTION**

FIG. 1 is a front perspective view of a measuring instruments according to the present invention.

FIG. 2 is a front view of the measuring instruments of FIG. 1.

FIG. 3 is a rear view of the measuring instruments of FIG. 1.

FIG. 4 is a left side view of the measuring instruments of FIG. 1.

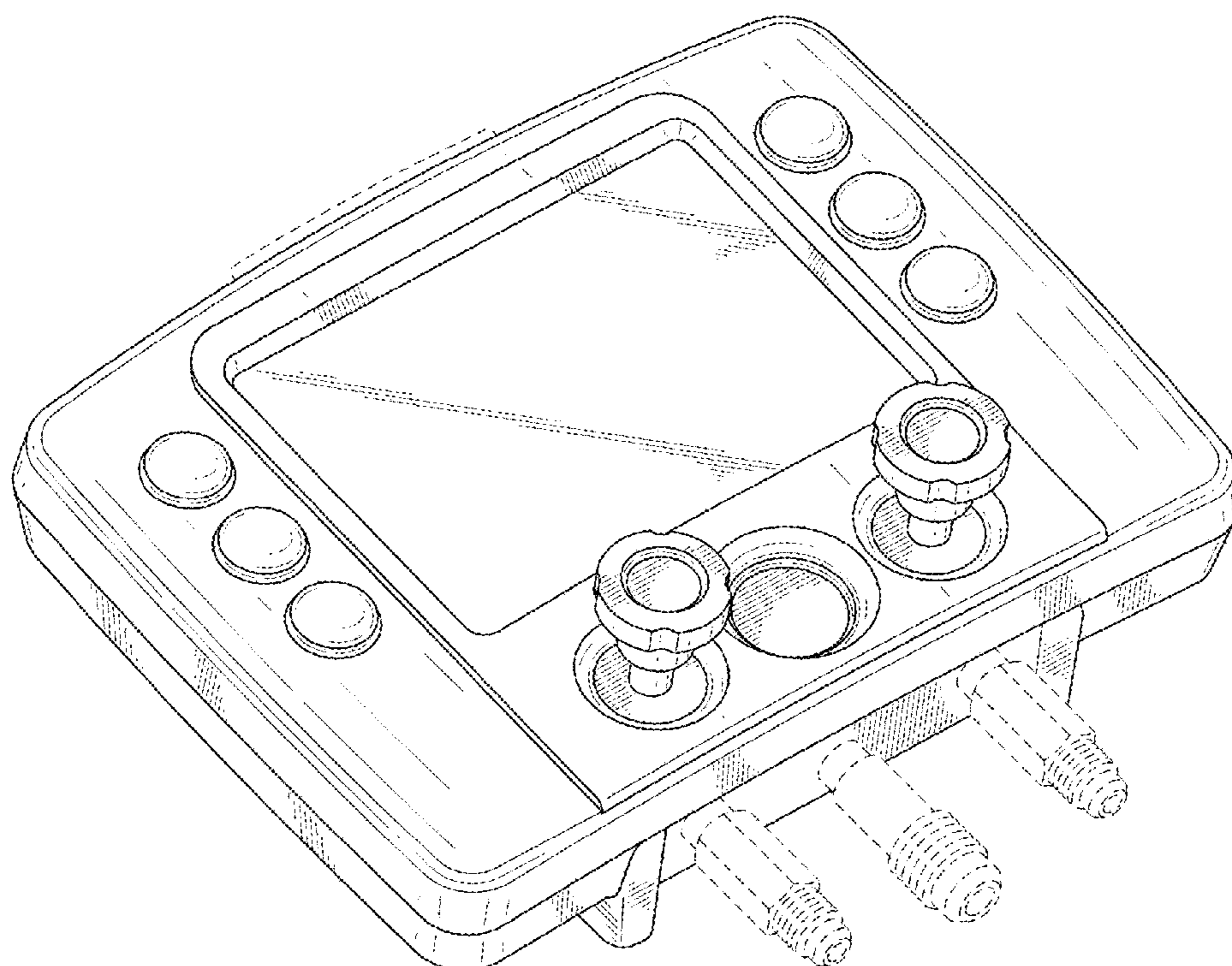
FIG. 5 is a right side view of the measuring instruments of FIG. 1.

FIG. 6 is a top view of the measuring instruments of FIG. 1; and,

FIG. 7 is a bottom view of the measuring instruments of FIG. 1.

The dashed lines illustrate environment that does not form a part of the present invention, and no claim is made to the material illustrated with dashed lines.

**1 Claim, 7 Drawing Sheets**



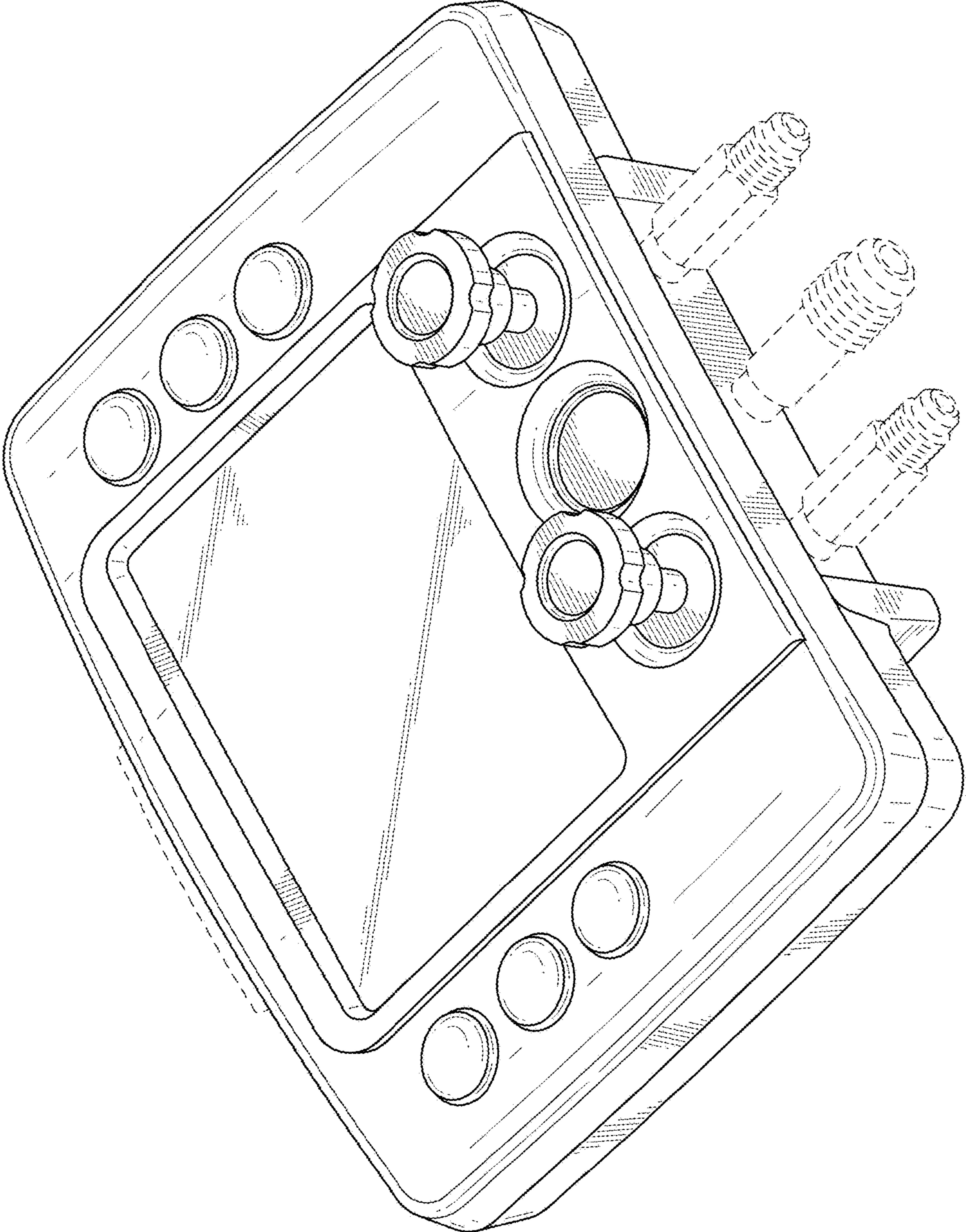


FIG.1

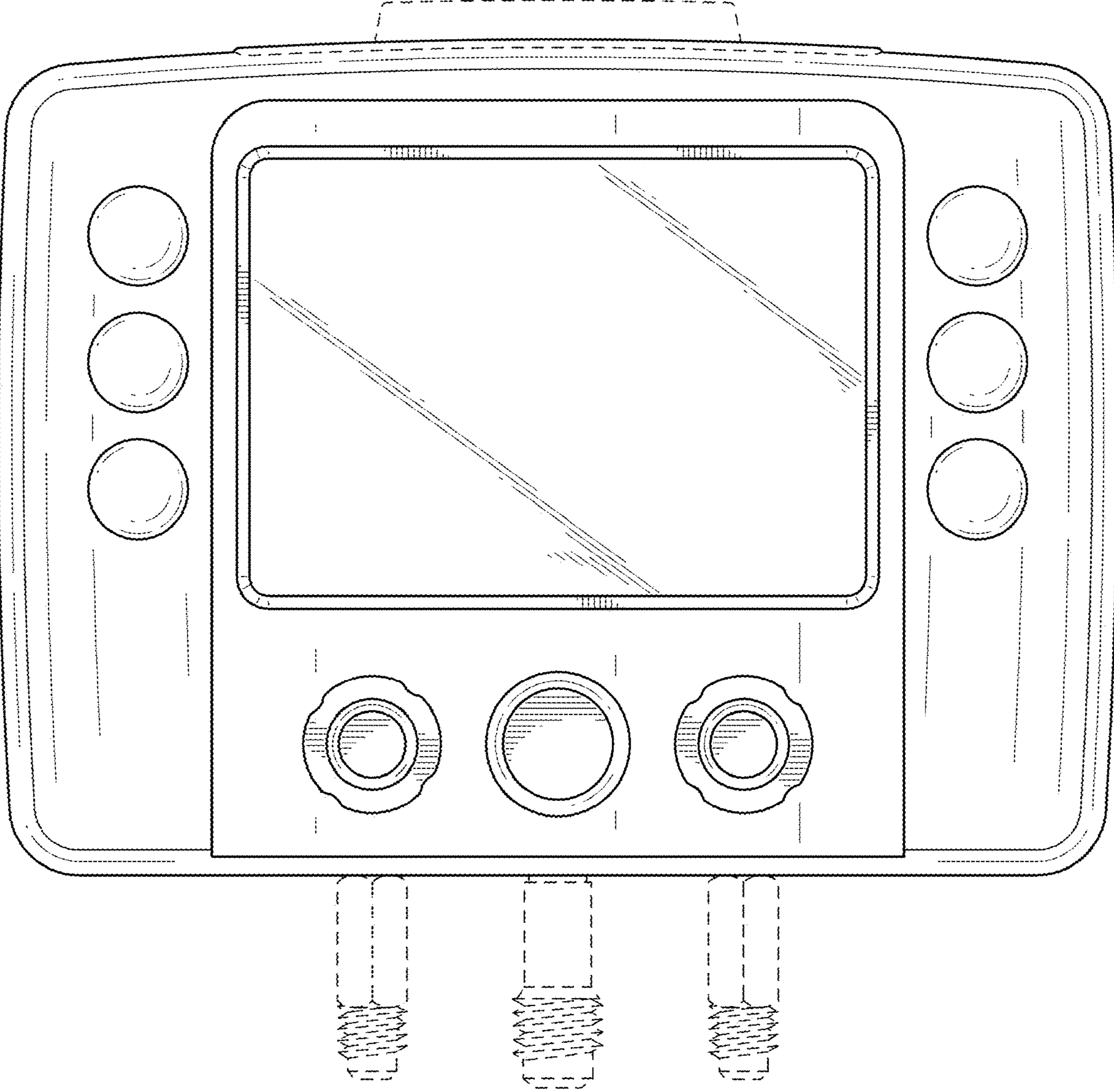


FIG.2

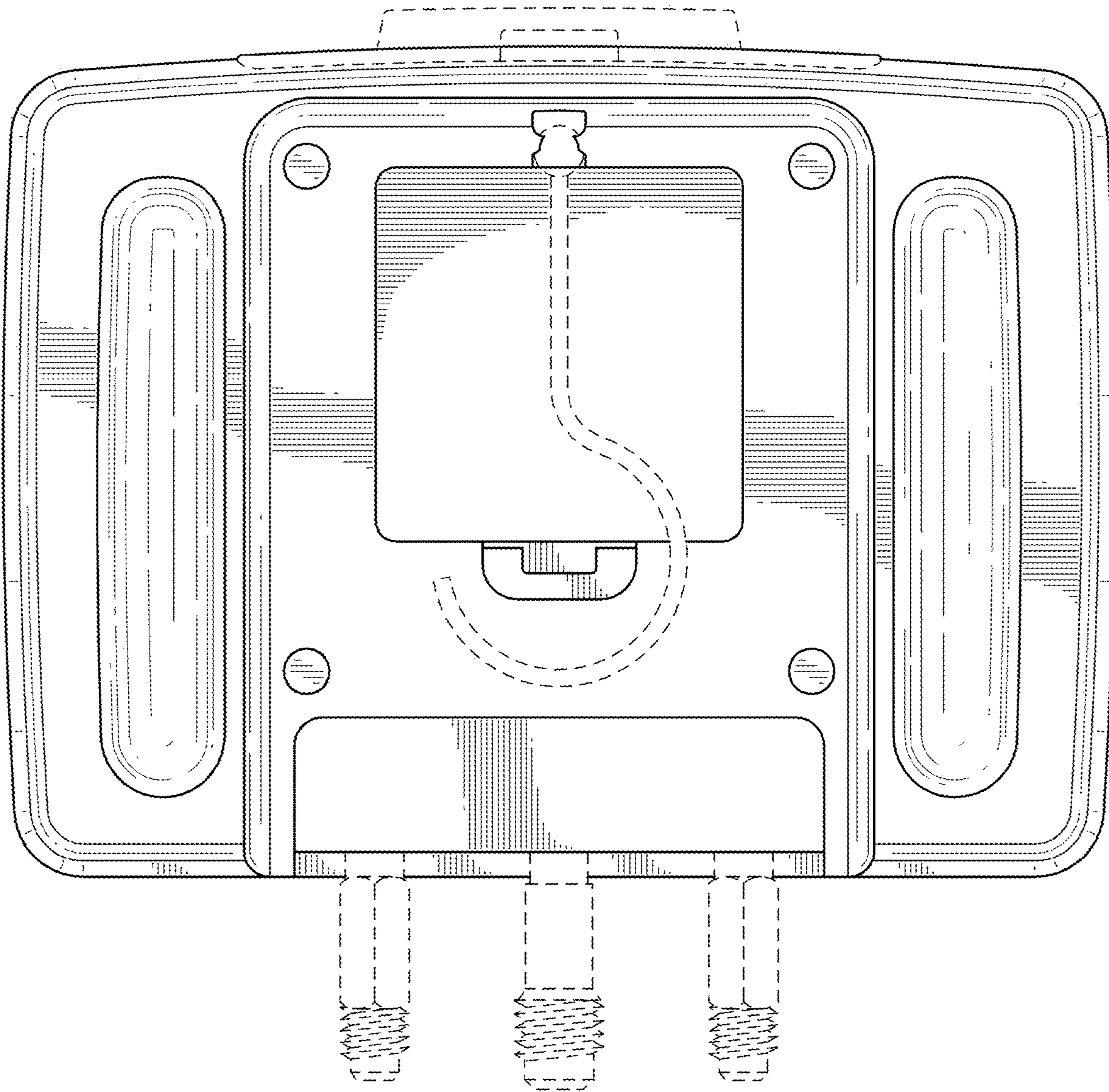


FIG.3

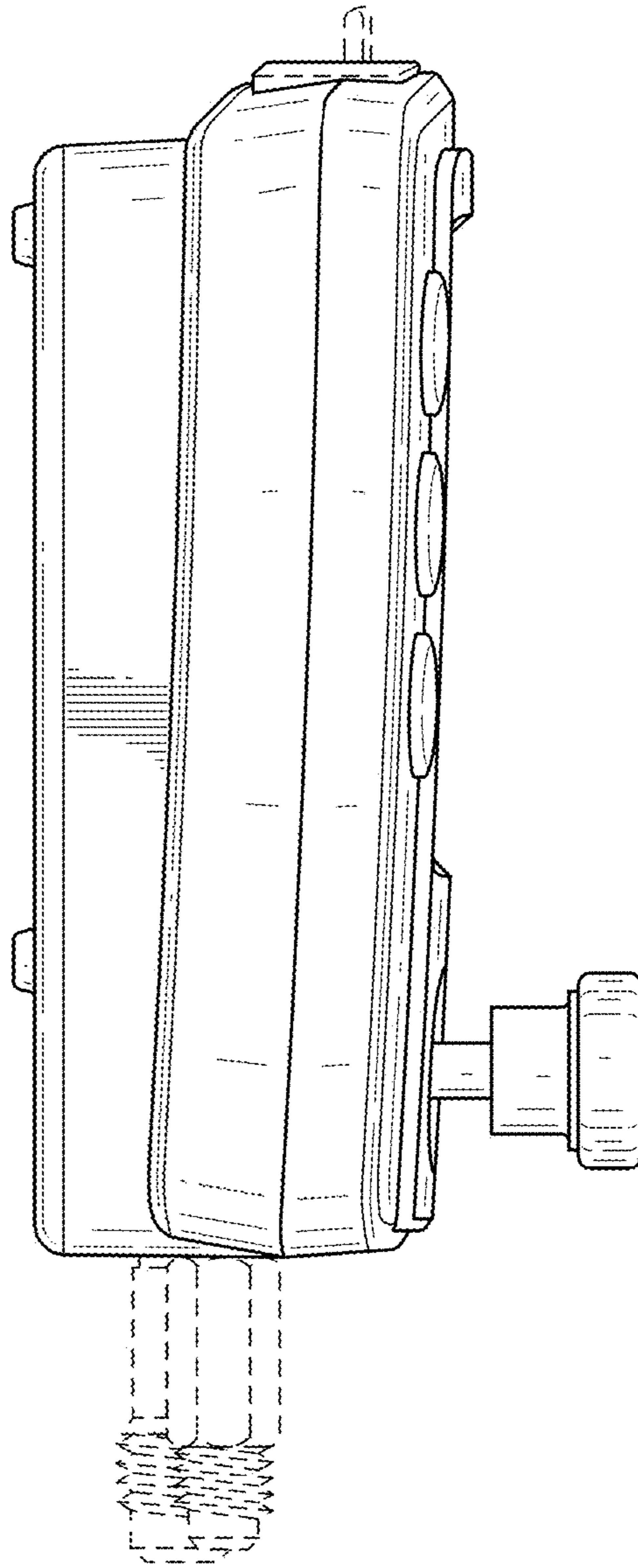


FIG.4

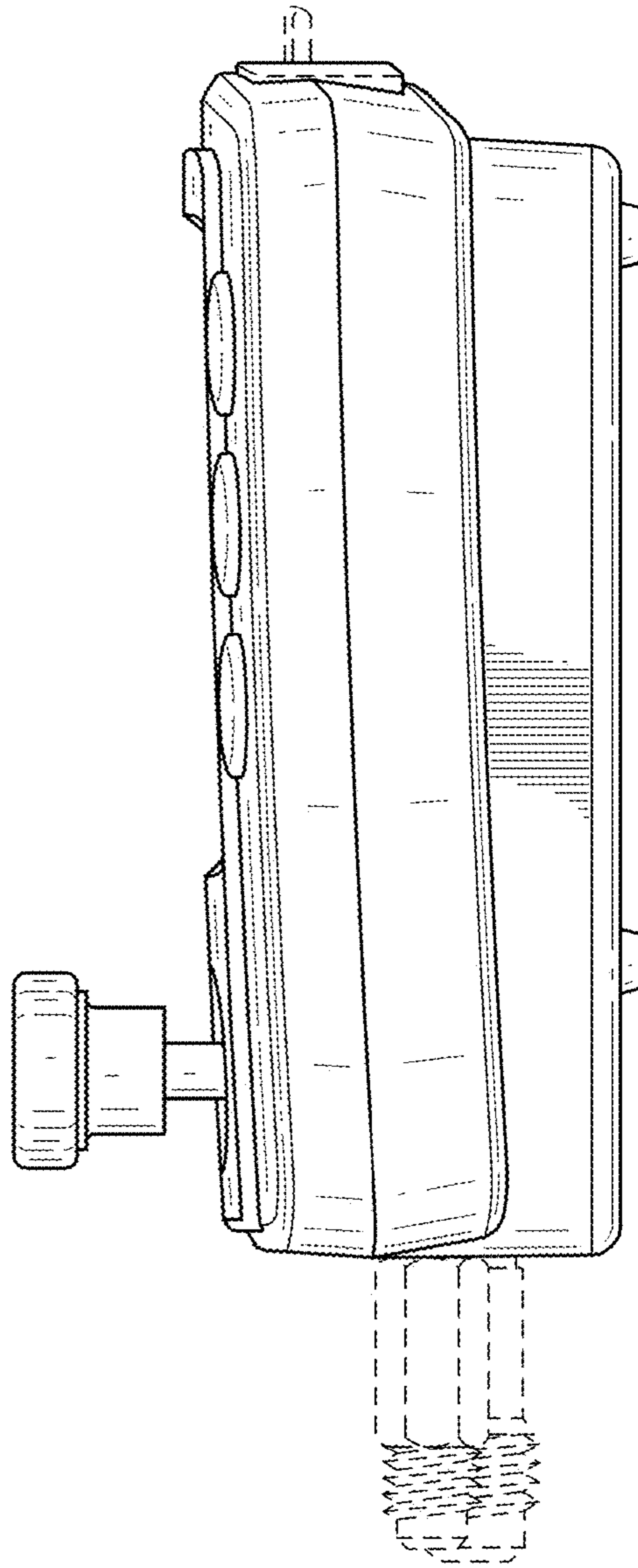


FIG.5

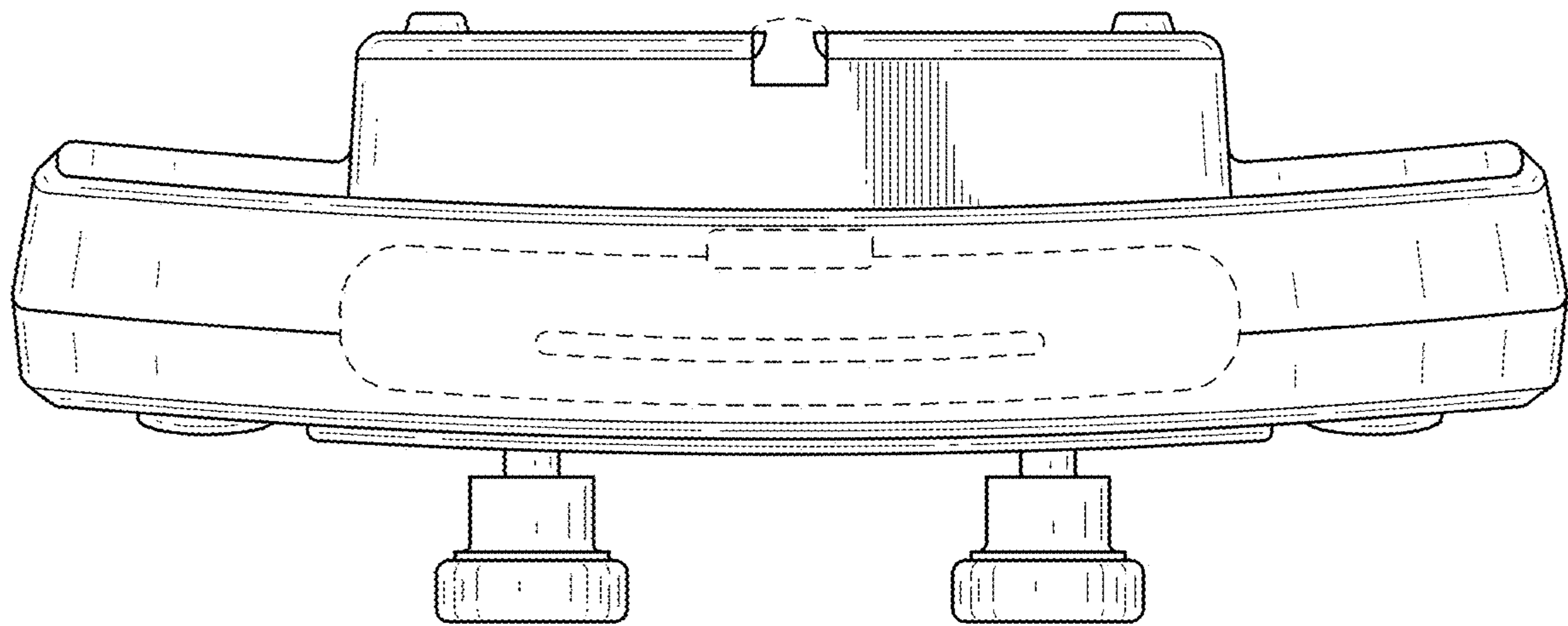


FIG.6

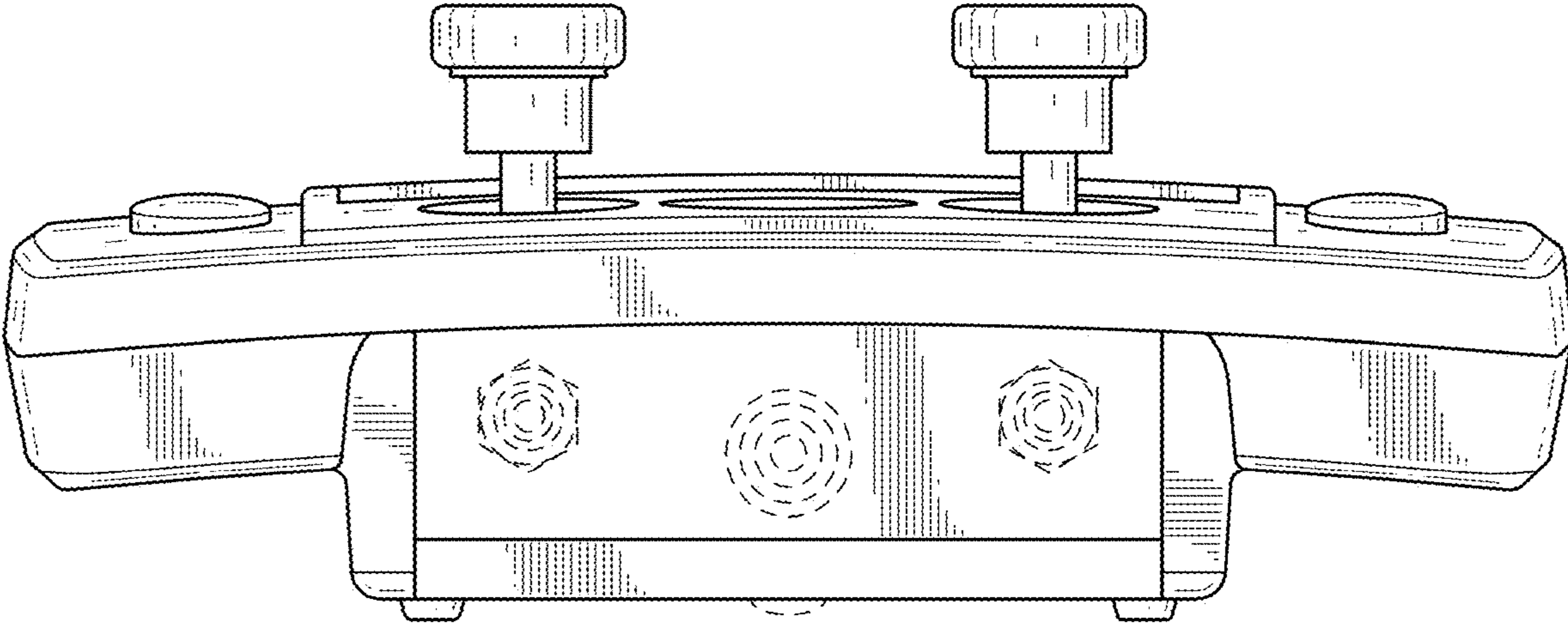


FIG.7