



US00D909220S

(12) **United States Design Patent**
Hou et al.

(10) **Patent No.:** **US D909,220 S**

(45) **Date of Patent:** **** Feb. 2, 2021**

(54) **WEIGHT SCALE**

A61B 5/0537; A61B 5/4869; A61B 5/6825; A61B 5/6829; A61B 5/7445

See application file for complete search history.

(71) Applicant: **Zhengzhou Shanghe Electronic Technology Co., Ltd.**, Zhengzhou (CN)

(56) **References Cited**

(72) Inventors: **Tiehan Hou**, Zhengzhou (CN);
Qianqian Wang, Zhengzhou (CN);
Chao Qian, Zhengzhou (CN)

U.S. PATENT DOCUMENTS

(73) Assignee: **ZHENGZHOU SHANGHE ELECTRONIC TECHNOLOGY CO., LTD.**, Zhengzhou (CN)

D419,087 S * 1/2000 Arnold D10/94
D592,535 S * 5/2009 Li D10/93
D691,905 S * 10/2013 Kobayakawa D10/93

* cited by examiner

(**) Term: **15 Years**

Primary Examiner — Antoine Duval Davis

(21) Appl. No.: **29/685,484**

(74) *Attorney, Agent, or Firm* — Muncy, Geissler, Olds & Lowe, P.C.

(22) Filed: **Mar. 28, 2019**

(57) **CLAIM**

The ornamental design for a weight scale, as shown and described.

(30) **Foreign Application Priority Data**

DESCRIPTION

Dec. 13, 2018 (CN) 2018 3 0723884

(51) **LOC (13) Cl.** **10-05**

(52) **U.S. Cl.**
USPC **D10/92**

(58) **Field of Classification Search**
USPC D10/91, 92
CPC G01G 21/28; G01G 21/283; G01G 21/286;
G01G 21/30; G01G 23/37; G01G 23/3728; G01G 23/3735; G01G 19/44;
G01G 19/445; G01G 19/46; G01G 19/48;
G01G 19/50; G01G 21/44; G01G 19/286;
G01G 19/30; A61B 5/053; A61B 5/4872;

FIG. 1 is a Front elevational view of a weight scale showing my new design;

FIG. 2 is a Rear elevational view thereof;

FIG. 3 is a Left side view thereof;

FIG. 4 is a Right side view thereof;

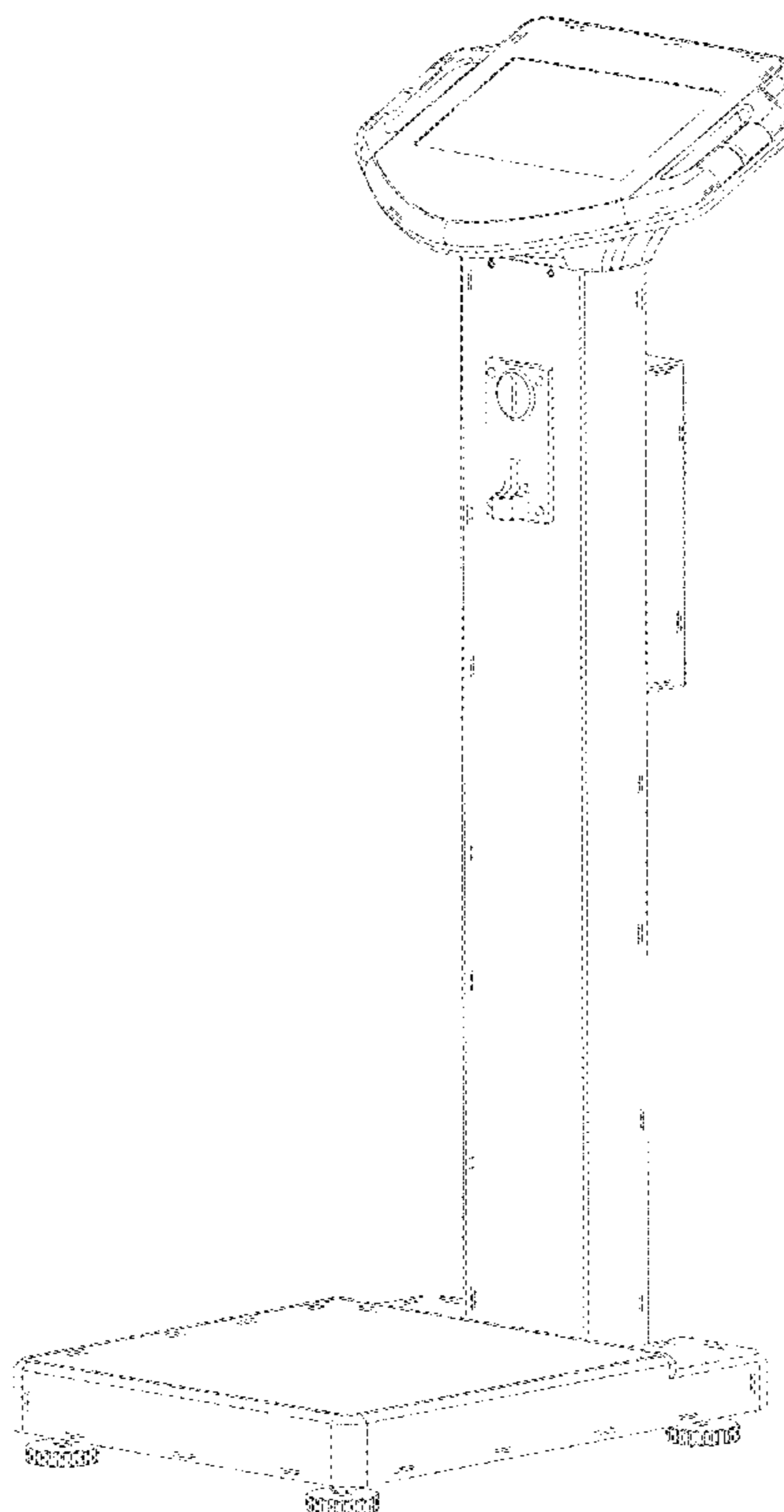
FIG. 5 is a Top plan view thereof;

FIG. 6 is a Bottom plan view thereof; and,

FIG. 7 is a Perspective views thereof.

The broken lines illustrate portions of the weight scale which form no part of the claimed design.

1 Claim, 7 Drawing Sheets



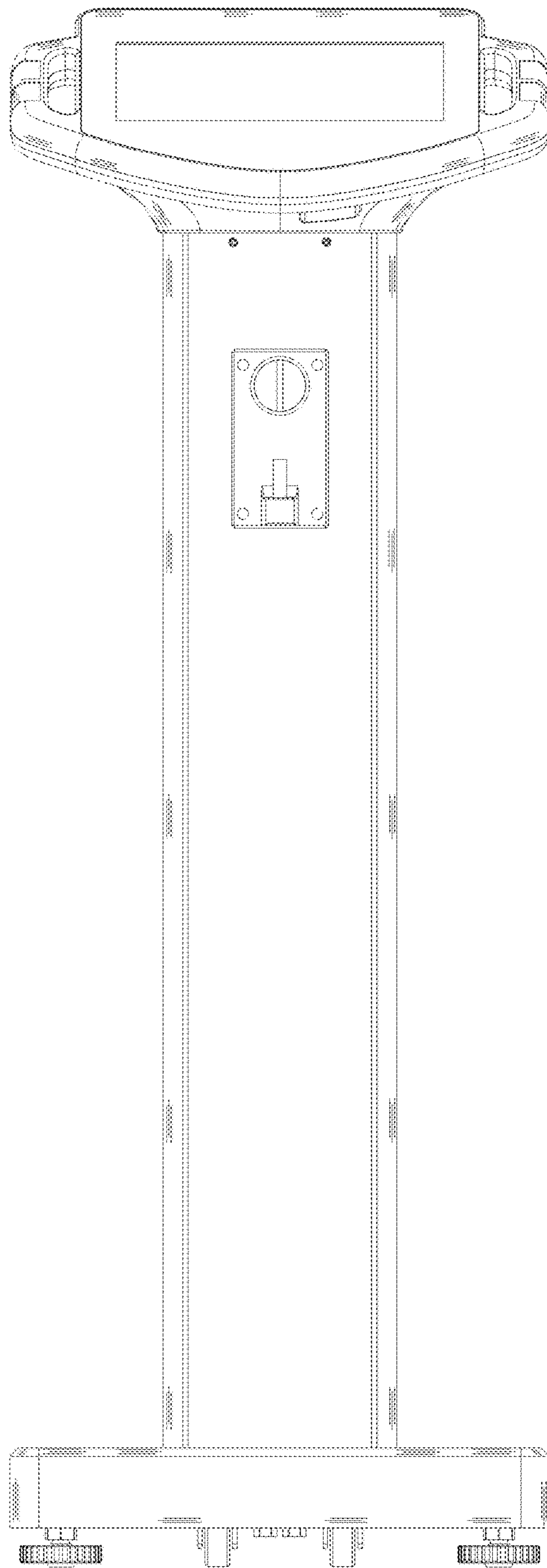


Fig. 1

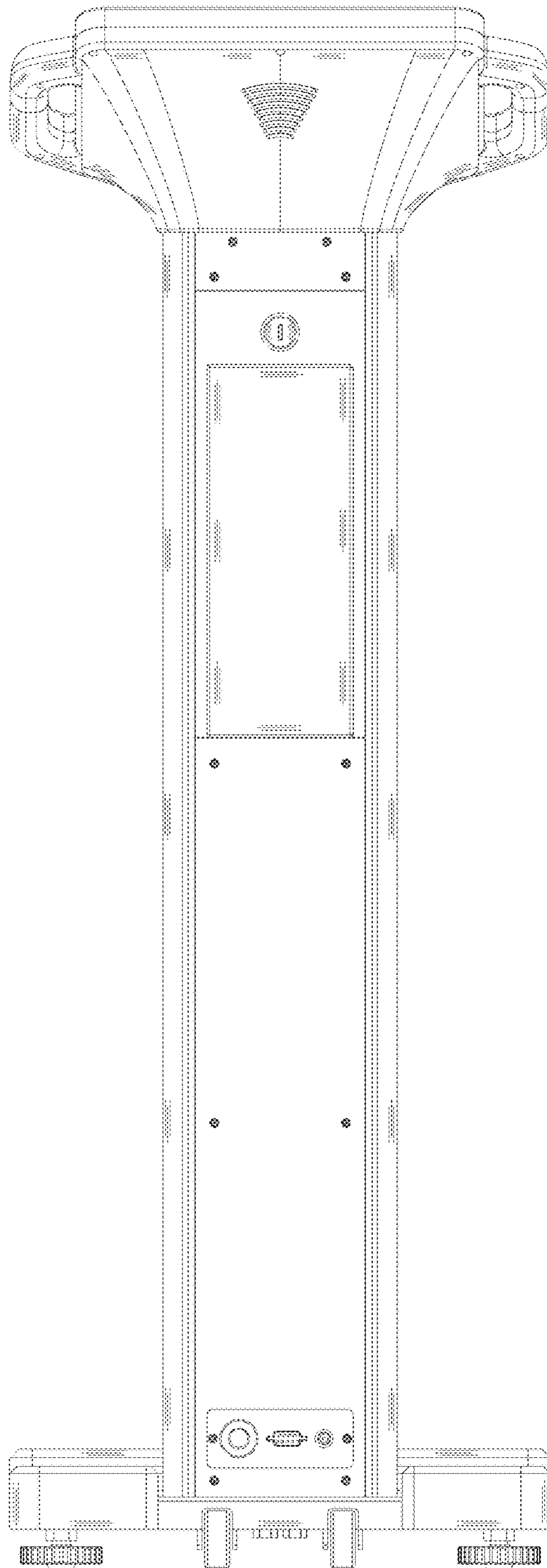


Fig. 2

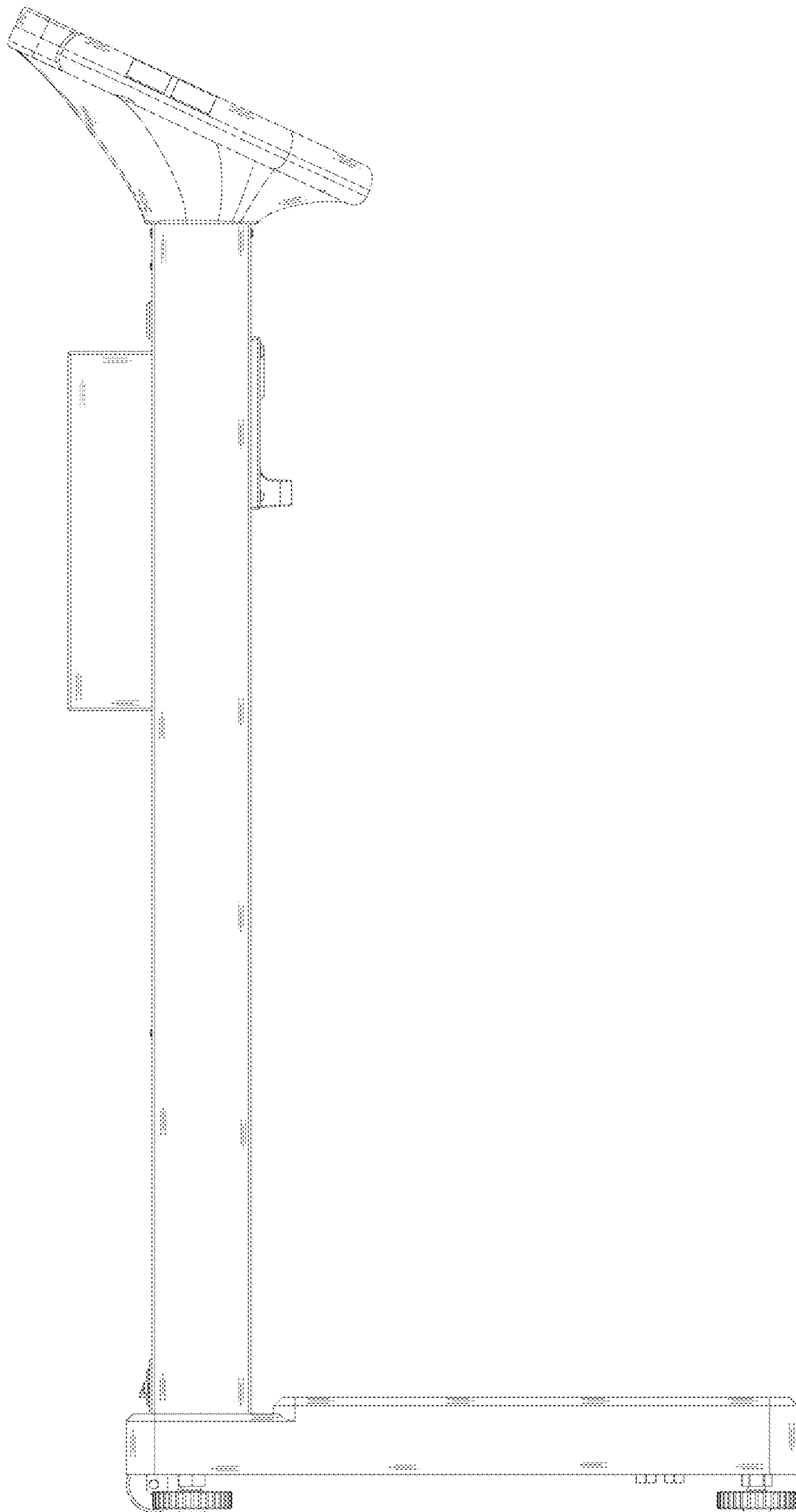


Fig. 3

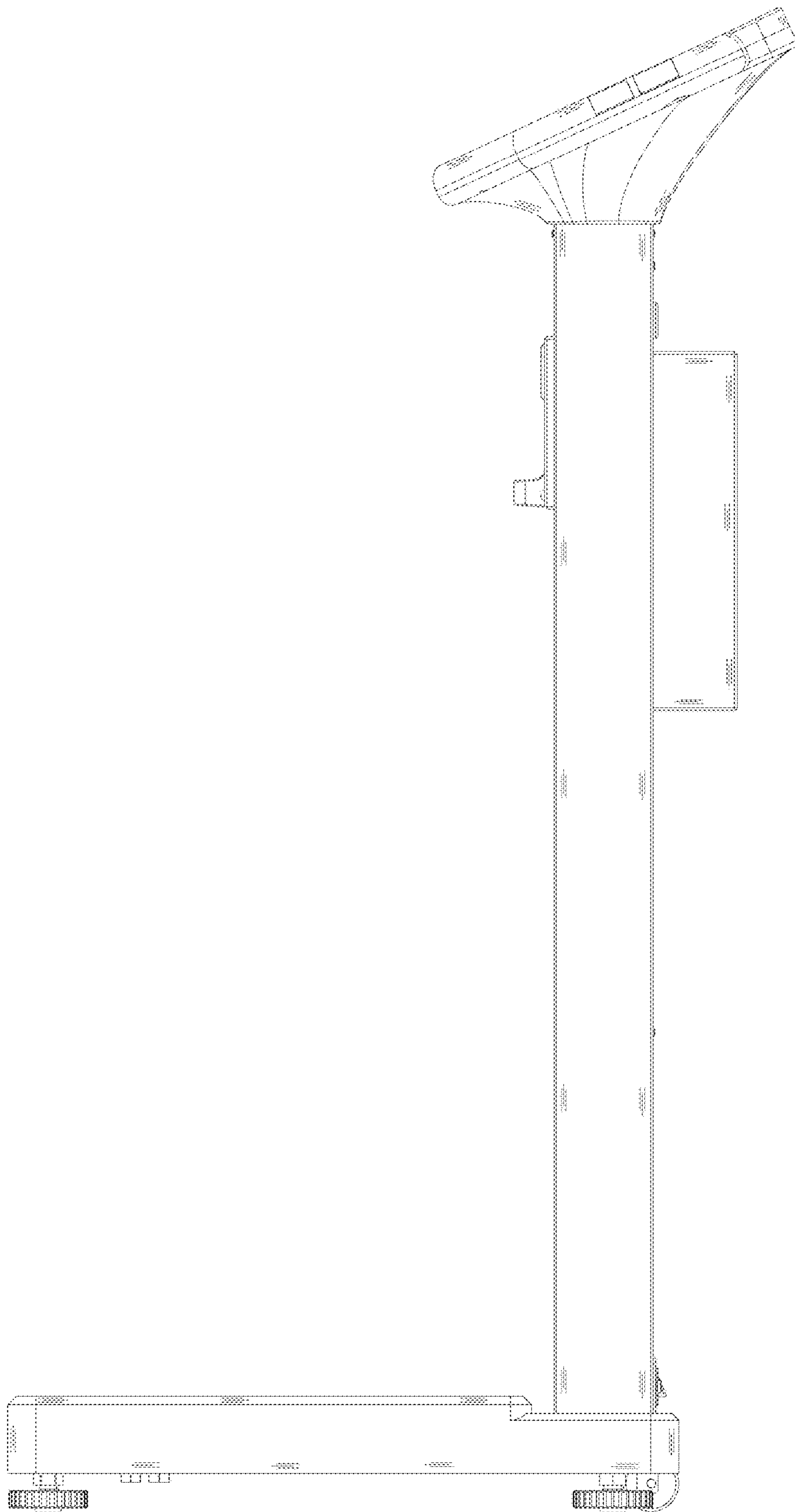


Fig. 4

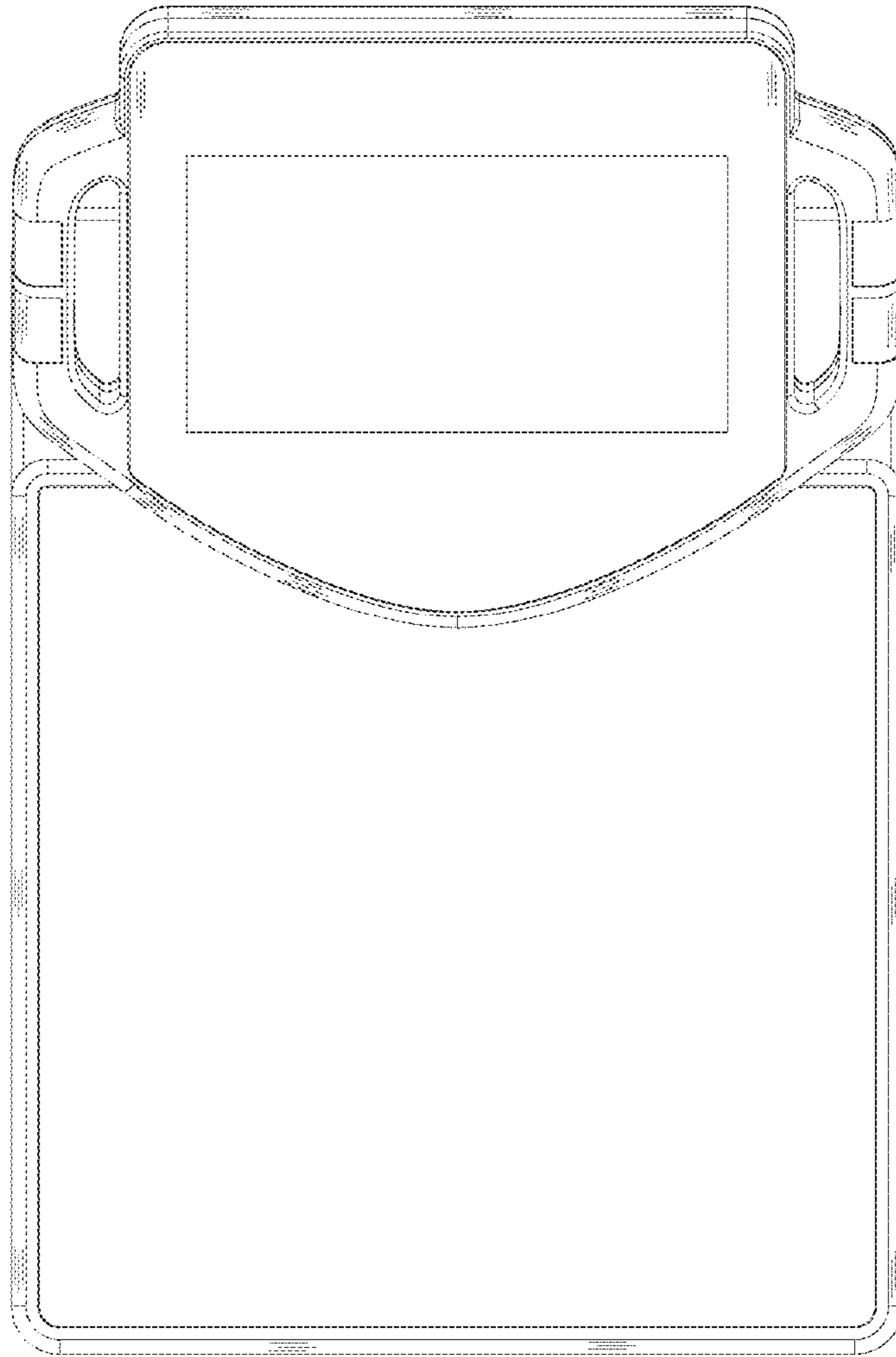


Fig. 5

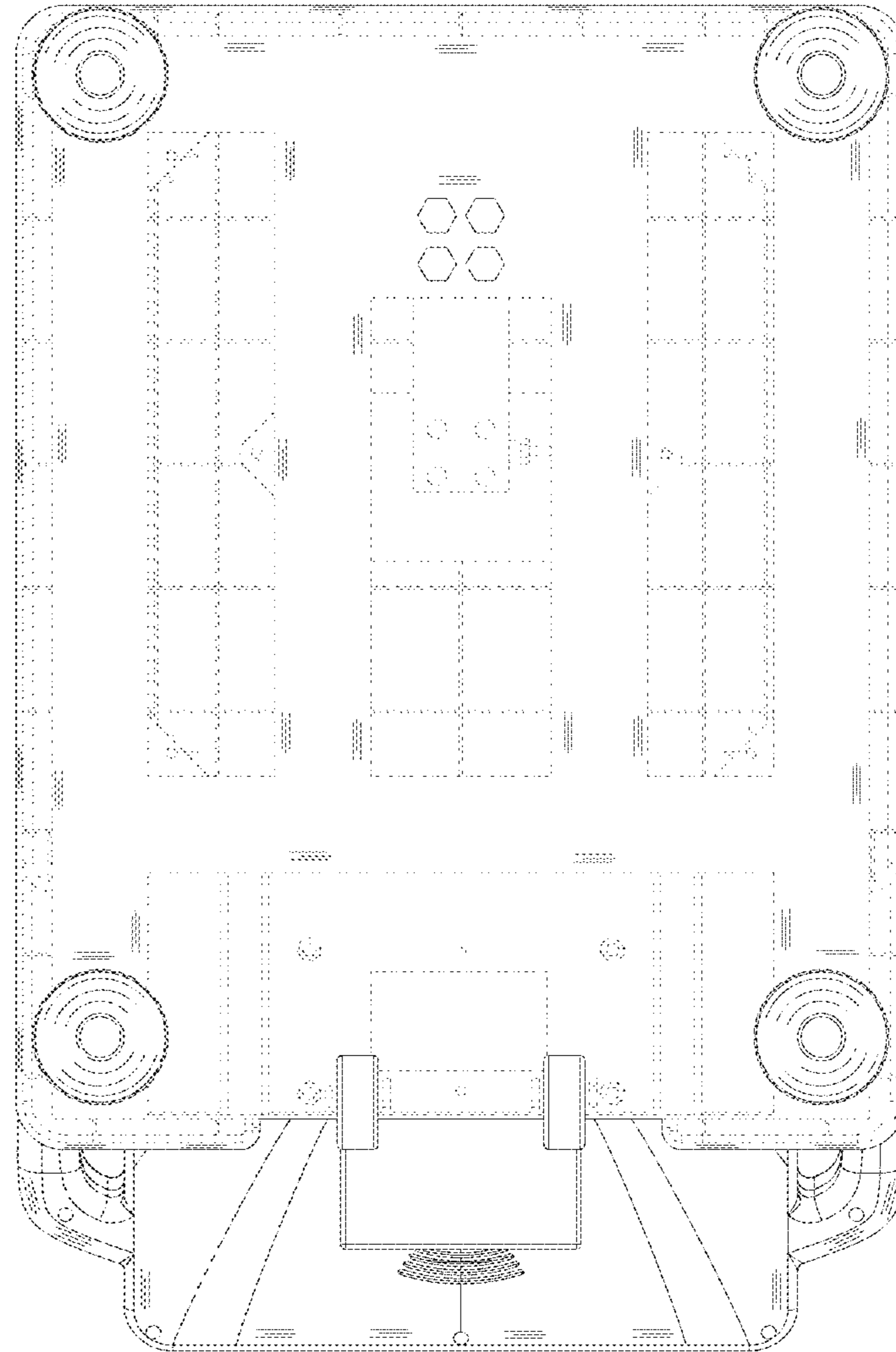


Fig. 6

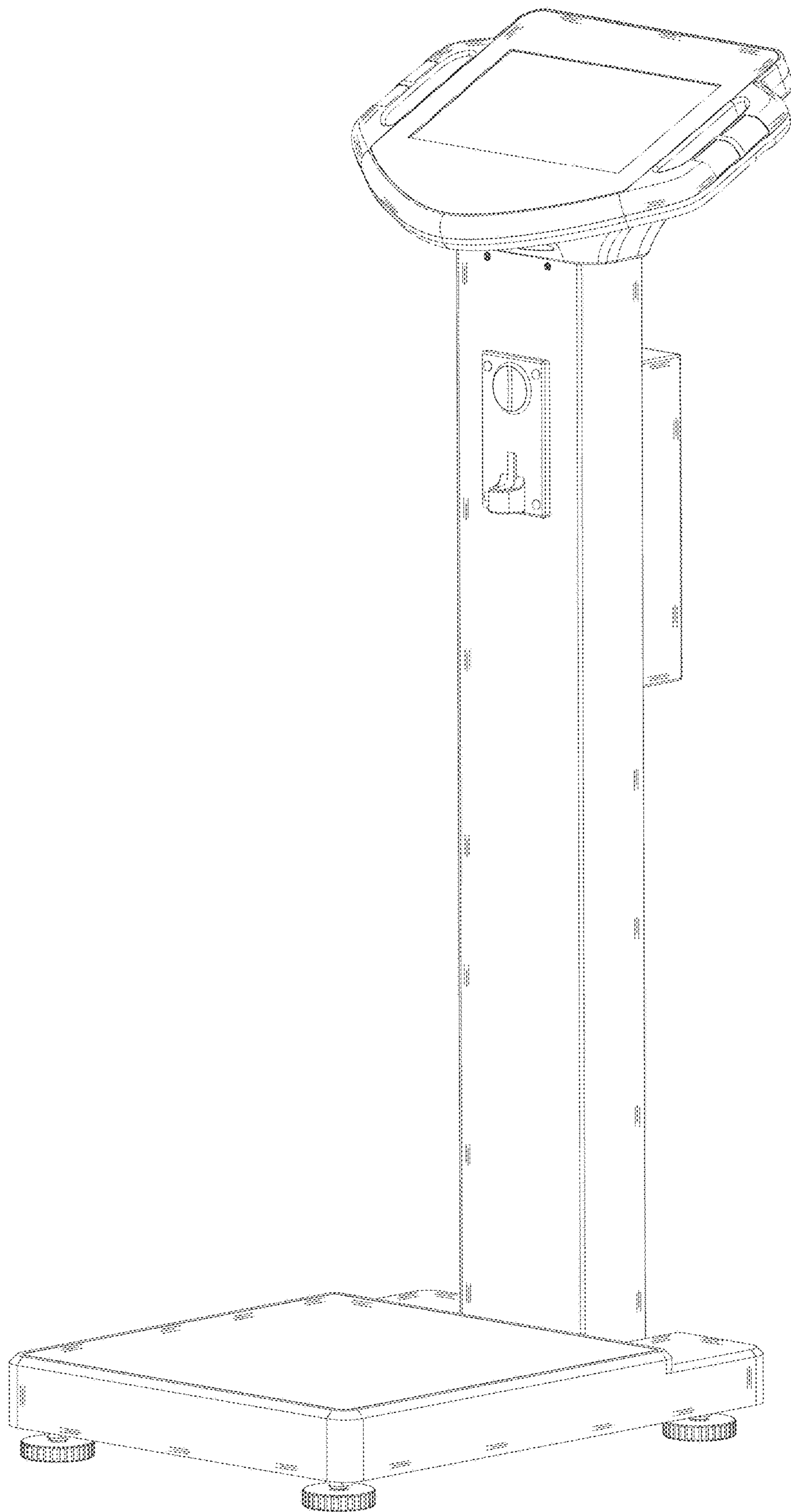


Fig. 7