



US00D909218S

(12) **United States Design Patent** (10) **Patent No.:** **US D909,218 S**
Choi (45) **Date of Patent:** **** Feb. 2, 2021**

(54) **OVERCURRENT RELAY TESTER**
(71) Applicant: **LSIS CO., LTD.**, Anyang-si (KR)
(72) Inventor: **Minho Choi**, Anyang-si (KR)
(73) Assignee: **LSIS CO., LTD.**, Anyang-si (KR)
(**) Term: **15 Years**

(21) Appl. No.: **29/689,896**
(22) Filed: **May 2, 2019**

(30) **Foreign Application Priority Data**
Mar. 25, 2019 (KR) 30-2019-0013419
(51) **LOC (13) Cl.** **10-04**
(52) **U.S. Cl.**
USPC **D10/78**
(58) **Field of Classification Search**
USPC D10/78
CPC G01R 1/06788; G01R 1/22; G01R 1/04;
G01R 15/125; G01R 15/181; G01R
15/186; G01R 15/12; G01R 15/04; G01R
15/06; G01R 19/2503; G01R 1/20; G01R
1/203; G01R 1/206; G01R 1/24; G01R
1/26; G01R 31/3278; G01R 31/007;
G01R 1/00; G01R 1/02; G01R 1/07;
G01R 1/06772; G01R 13/407; G01R
15/205; G01R 15/207; G01D 11/24;
G01D 11/245; G01D 11/26; G06F 17/00;
G07C 5/0808

See application file for complete search history.

(56) **References Cited**
U.S. PATENT DOCUMENTS
4,831,560 A * 5/1989 Zaleski G01R 31/007
701/32.8
D673,062 S * 12/2012 Marzynski D10/70
D839,756 S * 2/2019 Pang D10/52
D883,114 S * 5/2020 Nordahl D10/81
D890,617 S * 7/2020 Mimouni D10/78

* cited by examiner

Primary Examiner — Antoine Duval Davis
(74) *Attorney, Agent, or Firm* — K&L Gates LLP

(57) **CLAIM**
The ornamental design for an overcurrent relay tester, as shown and described herein.

DESCRIPTION
FIG. 1 is a perspective view of an overcurrent relay tester showing the new design;
FIG. 2 is a front elevation view thereof;
FIG. 3 is a rear elevation view thereof;
FIG. 4 is a left -side elevation view thereof;
FIG. 5 is a right -side elevation view thereof;
FIG. 6 is a top plan view thereof; and,
FIG. 7 is a bottom plan view thereof.
Any broken lines in the drawings are for illustrative purposes only and form no part of the claimed design. Additionally, the overcurrent relay tester is not limited to the scale shown herein.

1 Claim, 7 Drawing Sheets

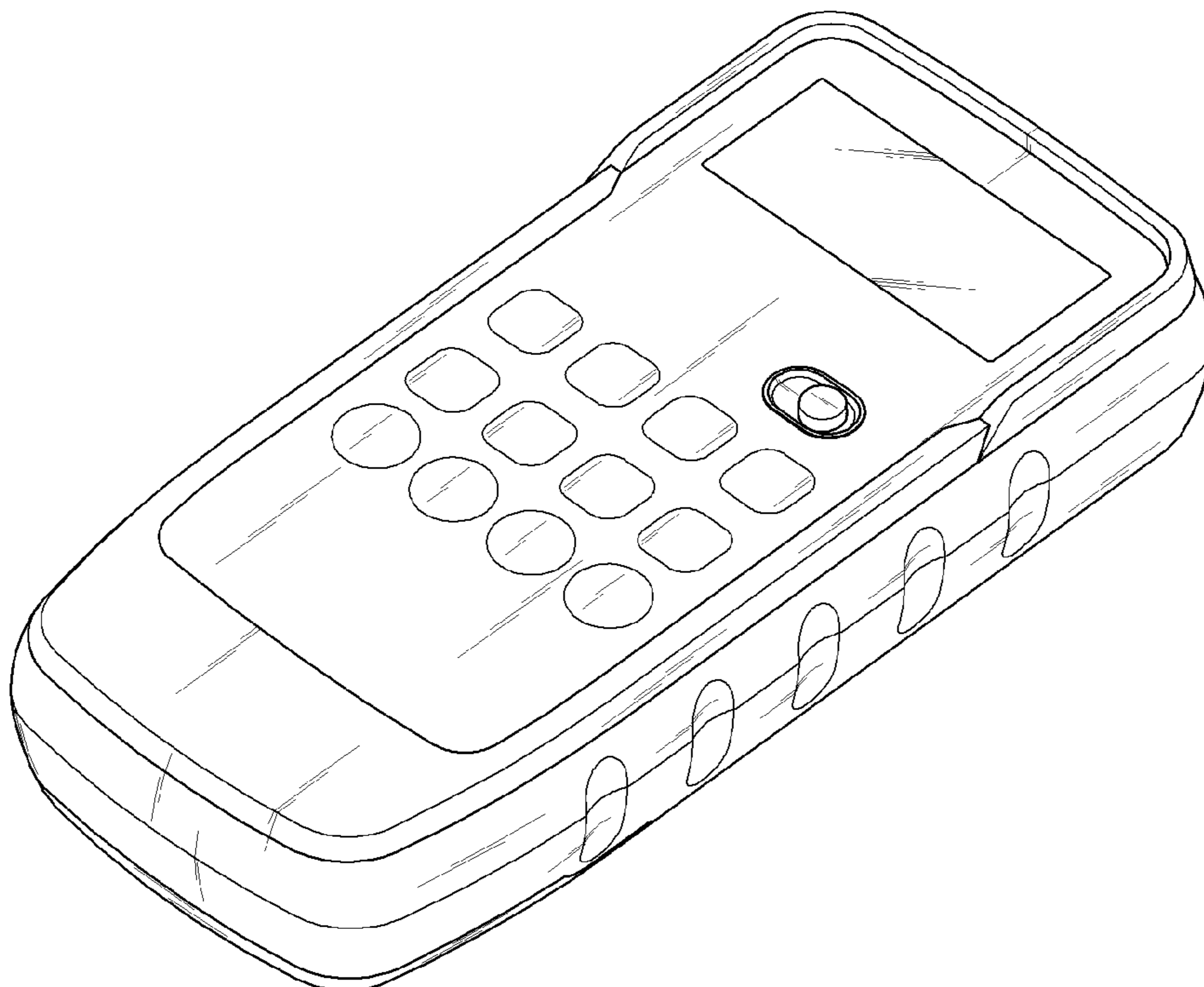


FIG. 1

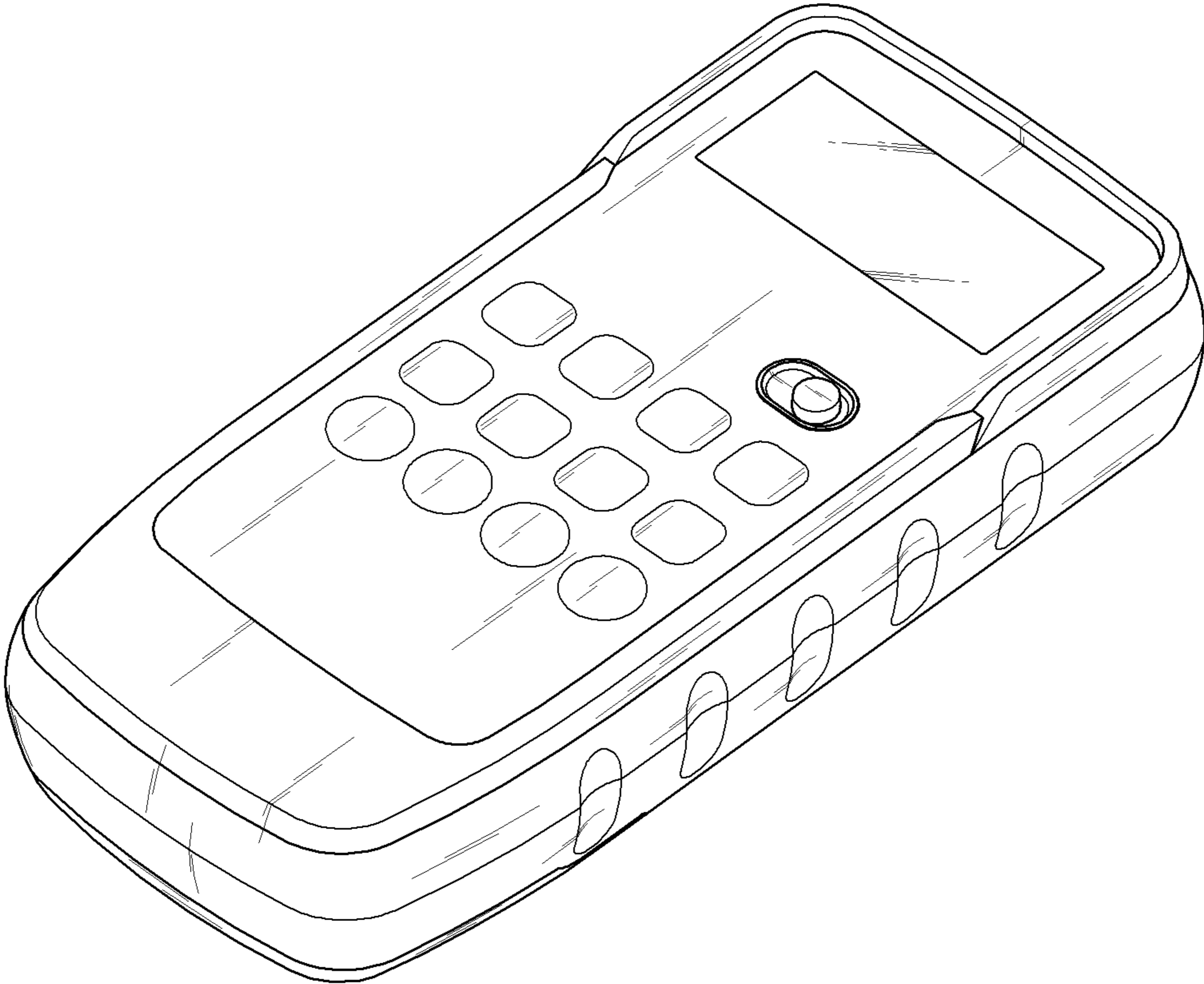


FIG. 2

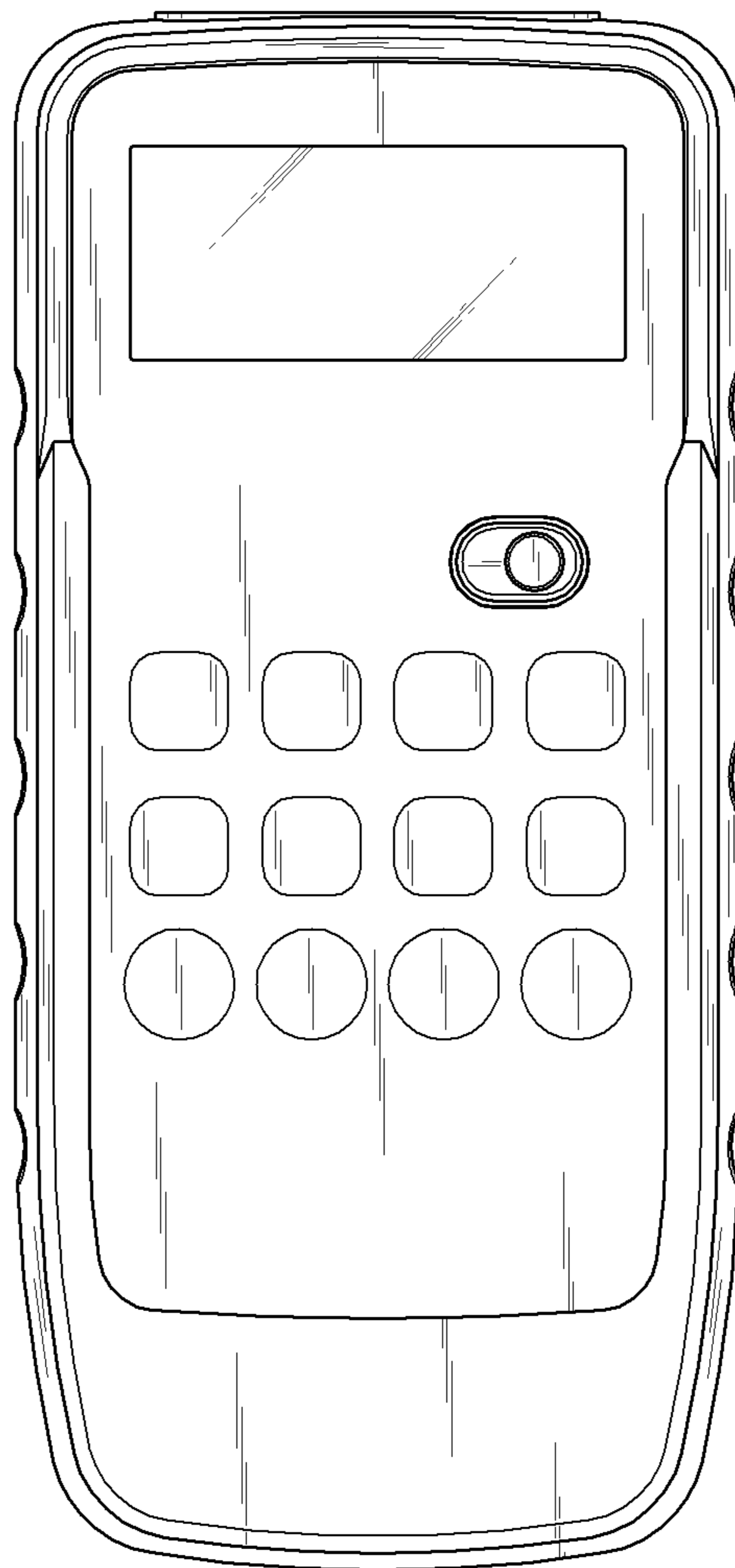


FIG. 3

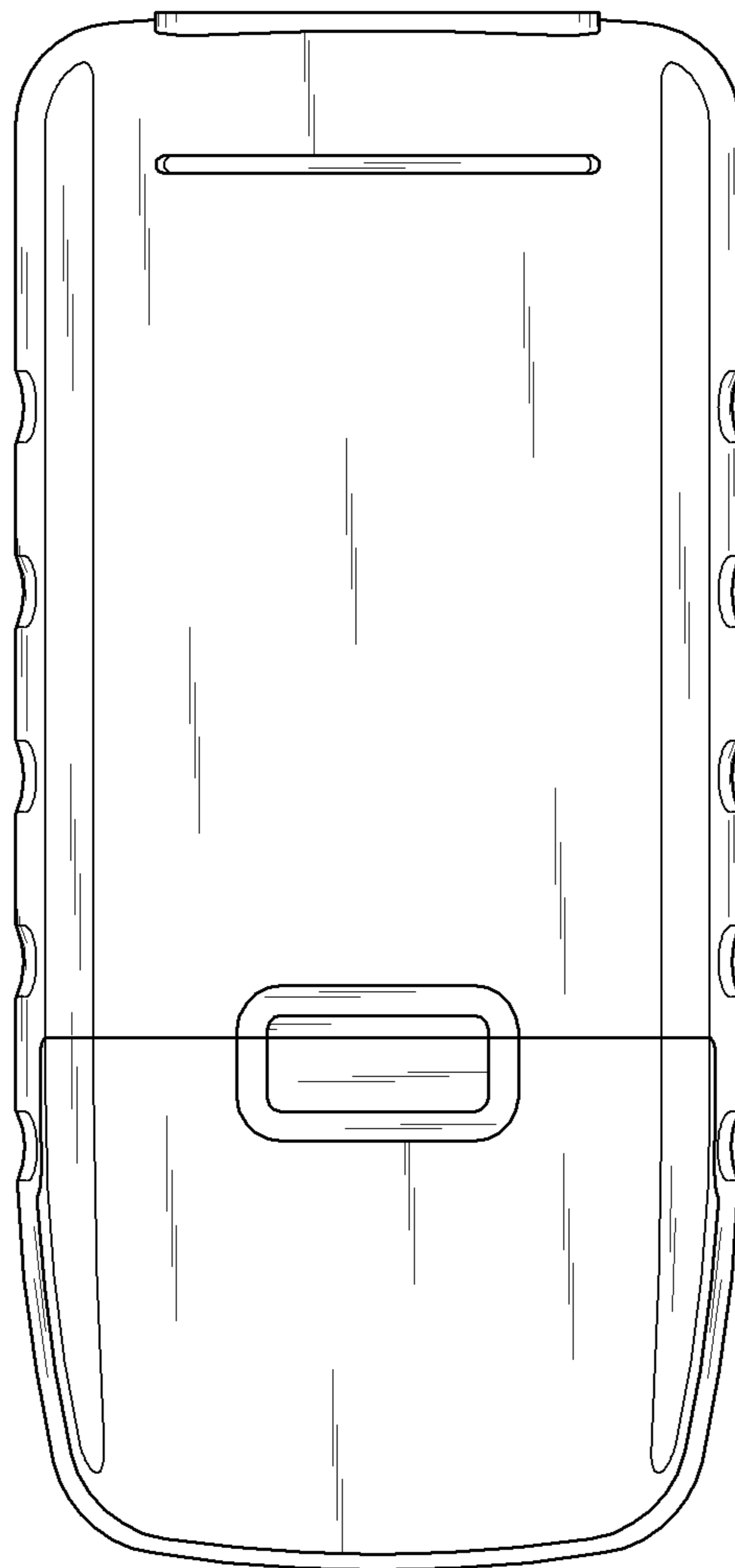


FIG. 4

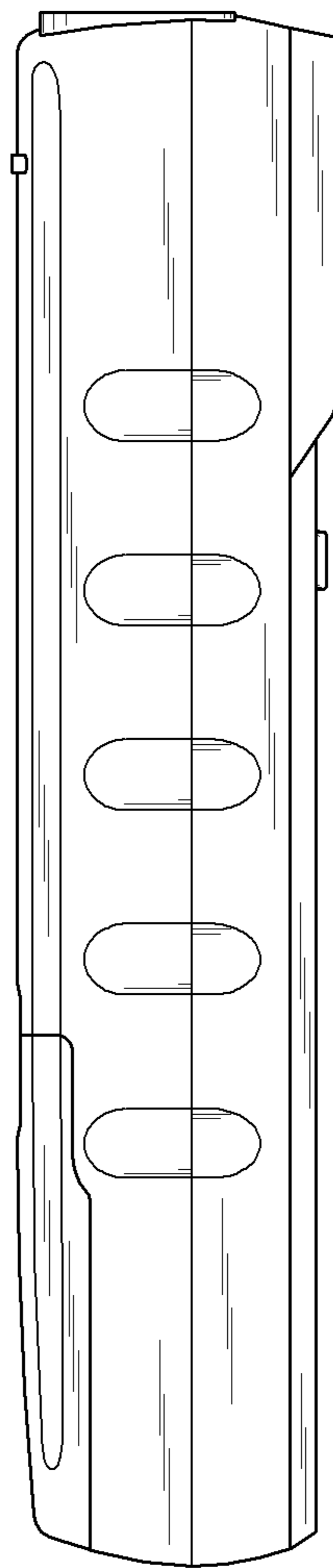


FIG. 5

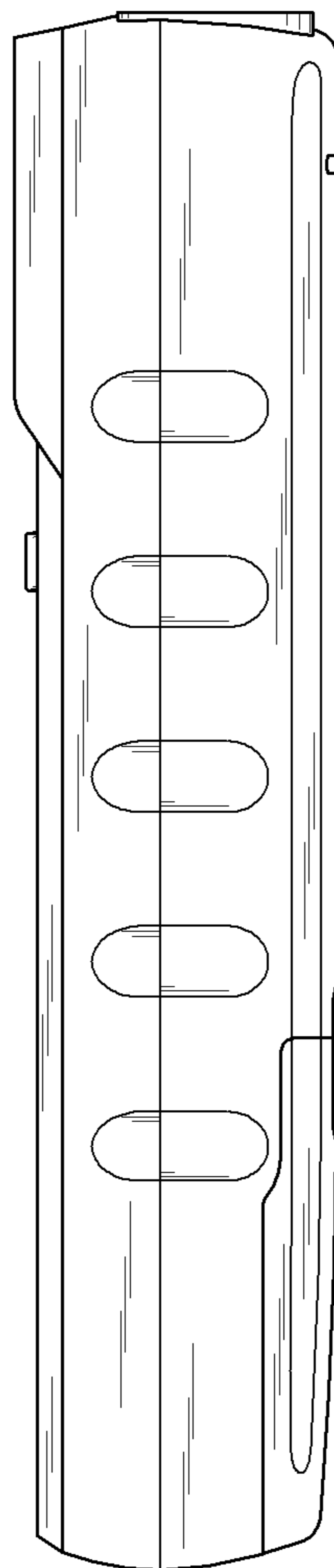


FIG. 6

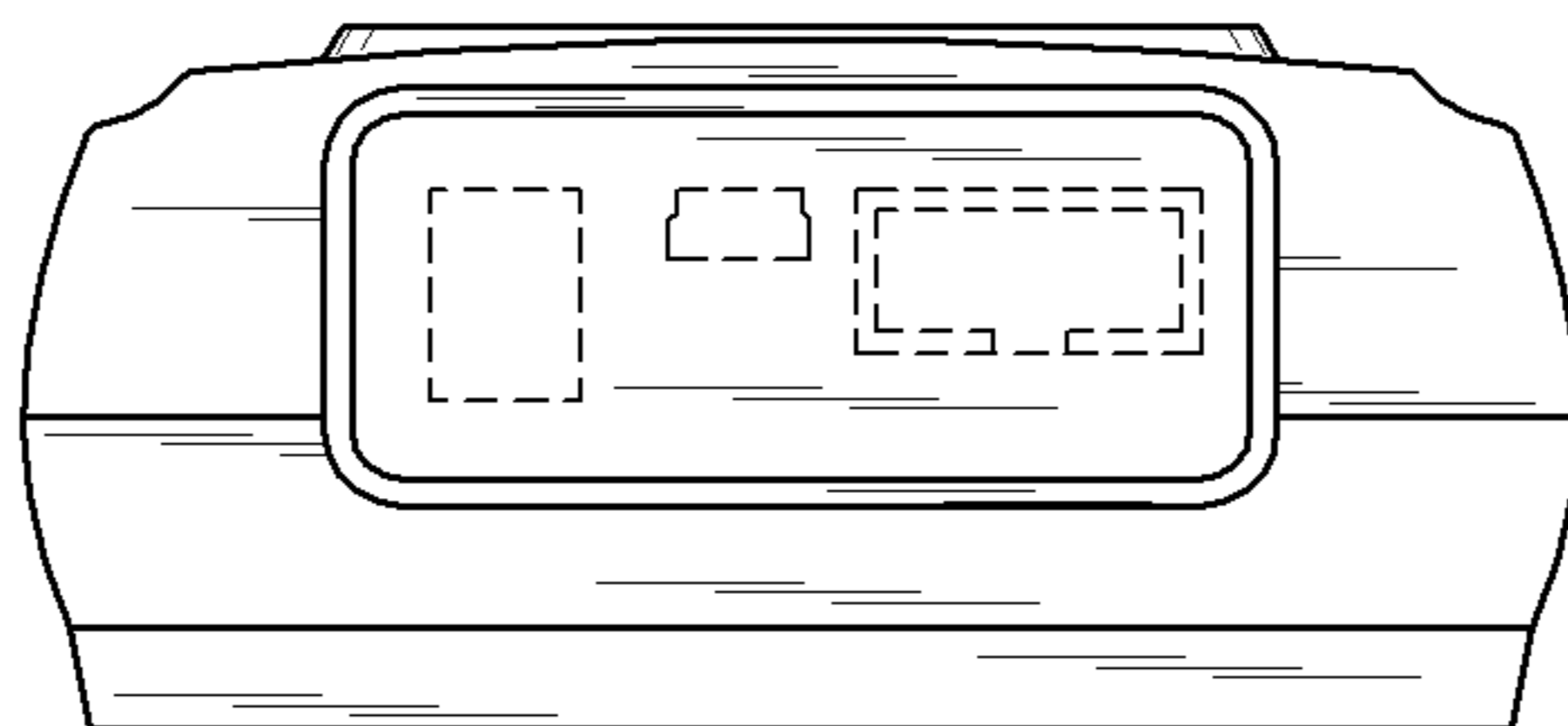


FIG. 7

