



US00D909217S

(12) **United States Design Patent** (10) **Patent No.:** **US D909,217 S**
Hu (45) **Date of Patent:** **** Feb. 2, 2021**

(54) **TAPE MEASURE**

(56) **References Cited**

(71) Applicant: **Yongxin Hu**, Henan (CN)

U.S. PATENT DOCUMENTS

(72) Inventor: **Yongxin Hu**, Henan (CN)

D803,711 S * 11/2017 Jost D10/72
D812,500 S * 3/2018 Lopez D10/72
D884,514 S * 5/2020 Jung D10/72

(**) Term: **15 Years**

* cited by examiner

(21) Appl. No.: **29/689,168**

Primary Examiner — Antoine Duval Davis

(22) Filed: **Apr. 27, 2019**

(57) **CLAIM**

(51) **LOC (13) Cl.** **10-04**

I claim the ornamental design for the tape measure, as shown and described.

(52) **U.S. Cl.**

USPC **D10/72**

DESCRIPTION

(58) **Field of Classification Search**

USPC D10/72

CPC G01B 3/10; G01B 3/1002; G01B 3/1041;

G01B 2003/1043; G01B 2003/1046;

G01B 2003/1048; G01B 2003/1051;

G01B 2003/1053–2003/1097; G01B

3/1082; G01B 3/1056; G01B 3/563;

G01B 3/566; G01B 3/1071; G01B

2003/1089; G01B 2003/1092; G01B

2003/1079; G01B 2003/1041; G01B

2003/1084; G07B 3/10

FIG. 1 is a perspective view of a tape measure showing my new design;

FIG. 2 is a front elevational view thereof;

FIG. 3 is a rear elevational view thereof;

FIG. 4 is a left side elevational view thereof;

FIG. 5 is a right side elevational view thereof;

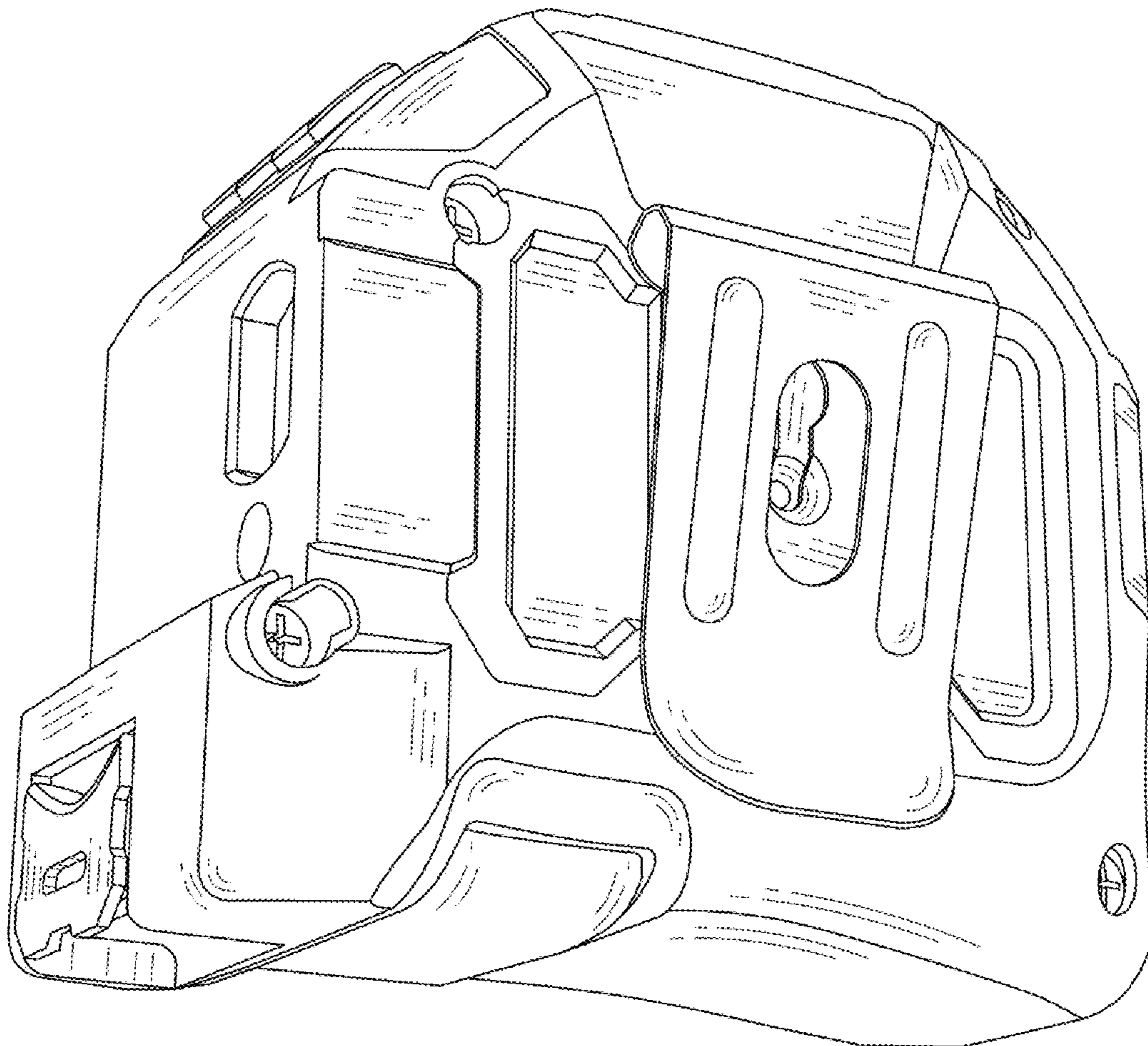
FIG. 6 is a top plan view thereof;

FIG. 7 is a bottom plan view thereof; and,

FIG. 8 is a top, left, rear perspective view thereof.

See application file for complete search history.

1 Claim, 8 Drawing Sheets



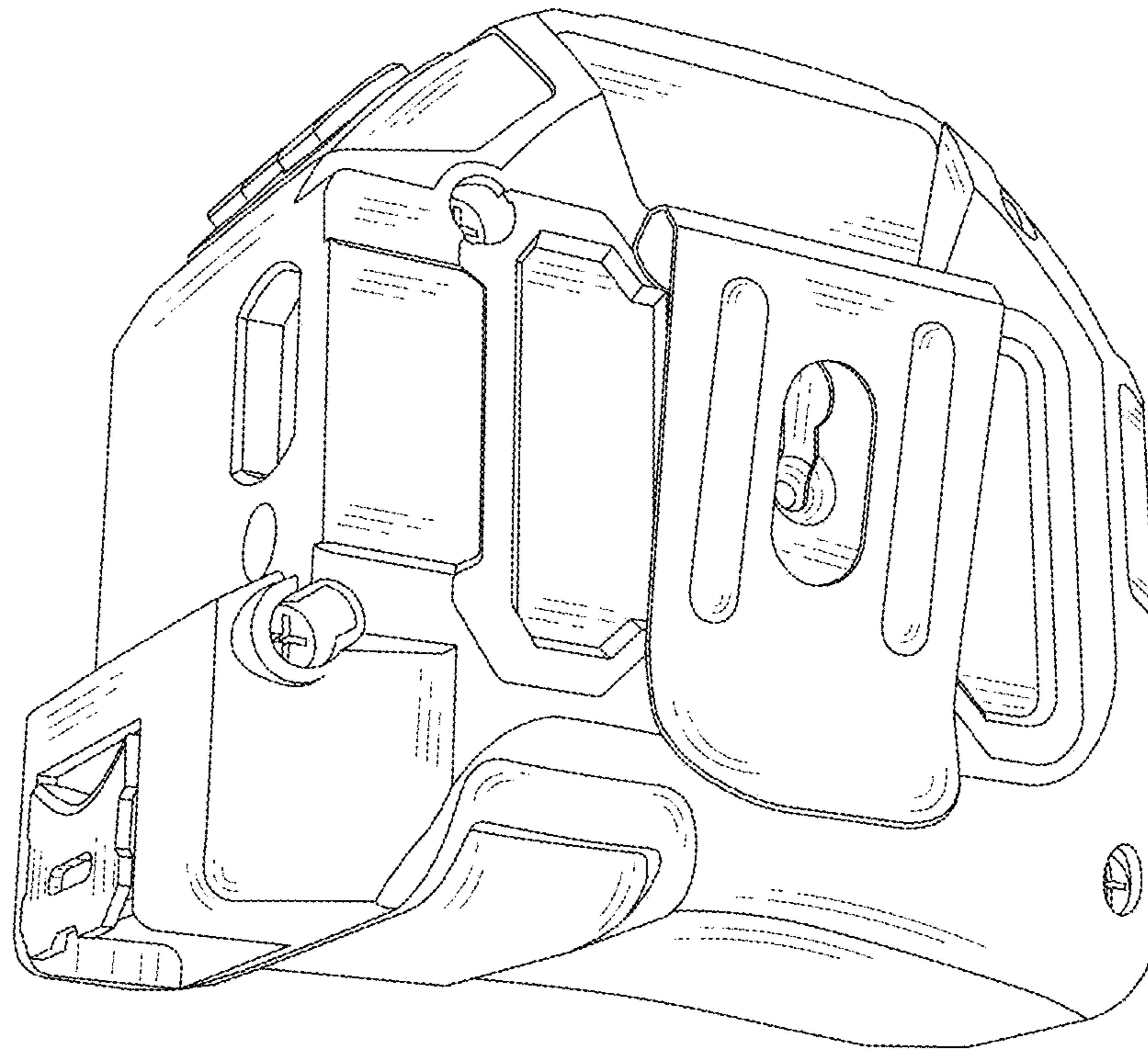


FIG. 1

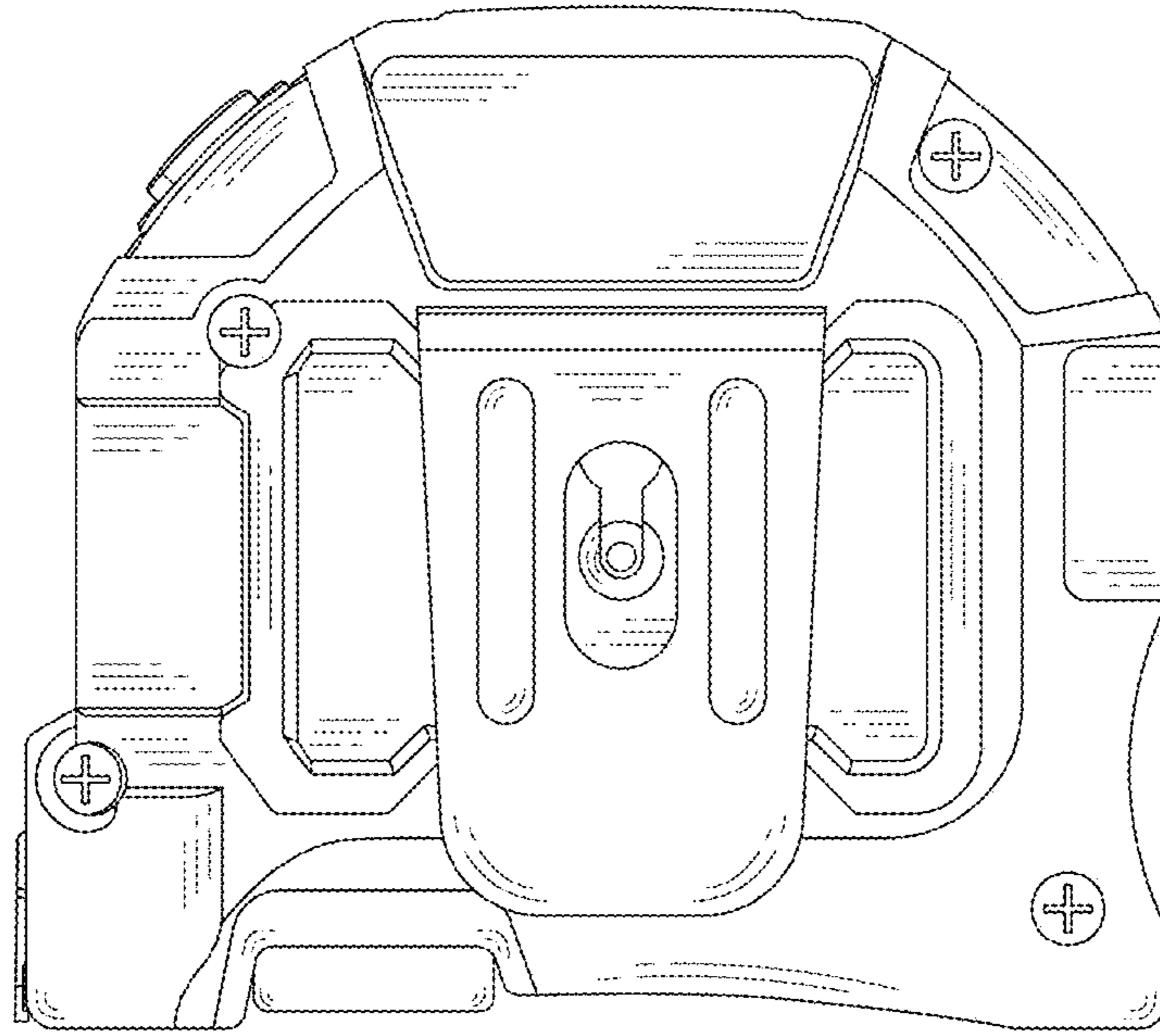


FIG. 2

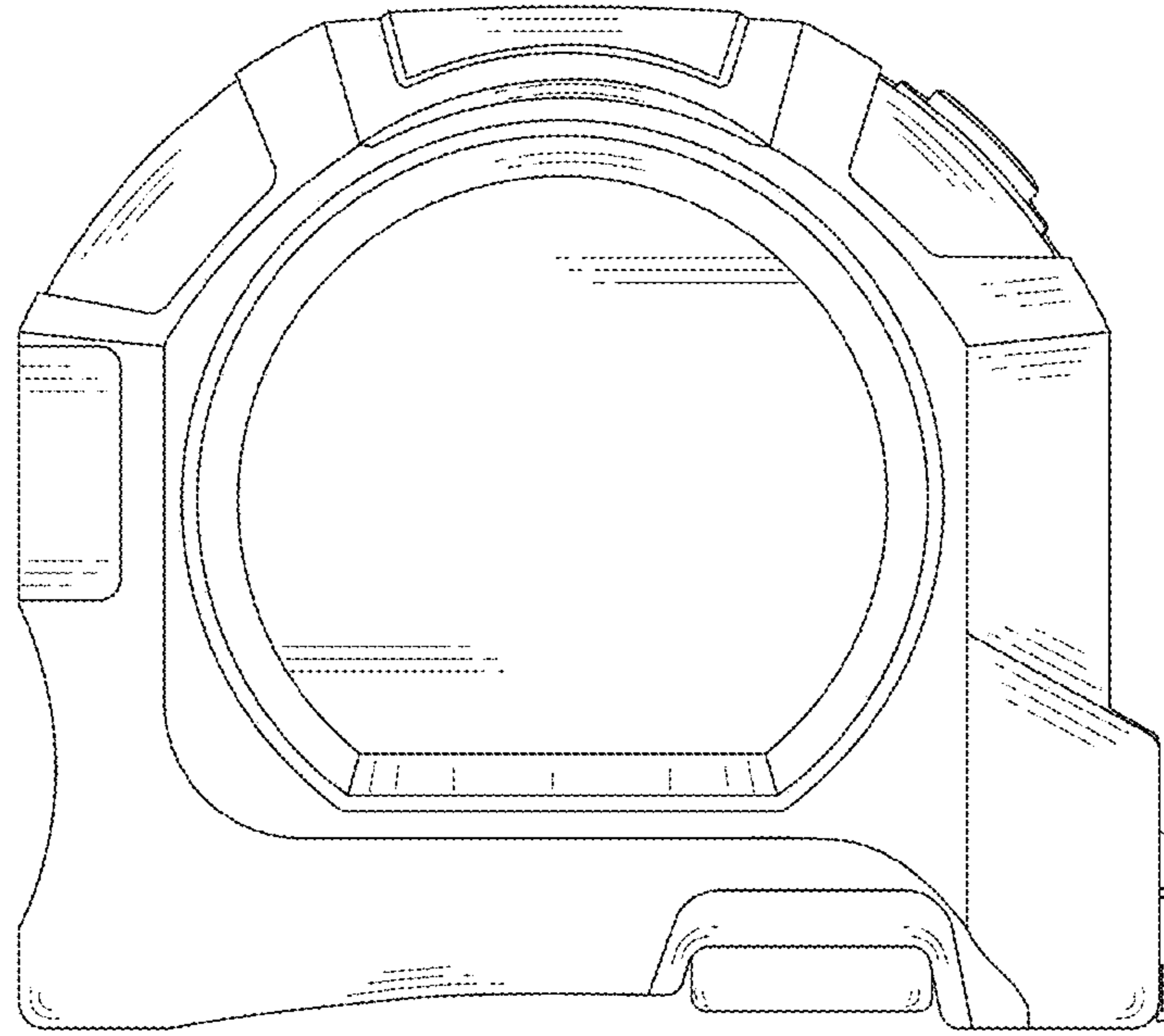


FIG. 3

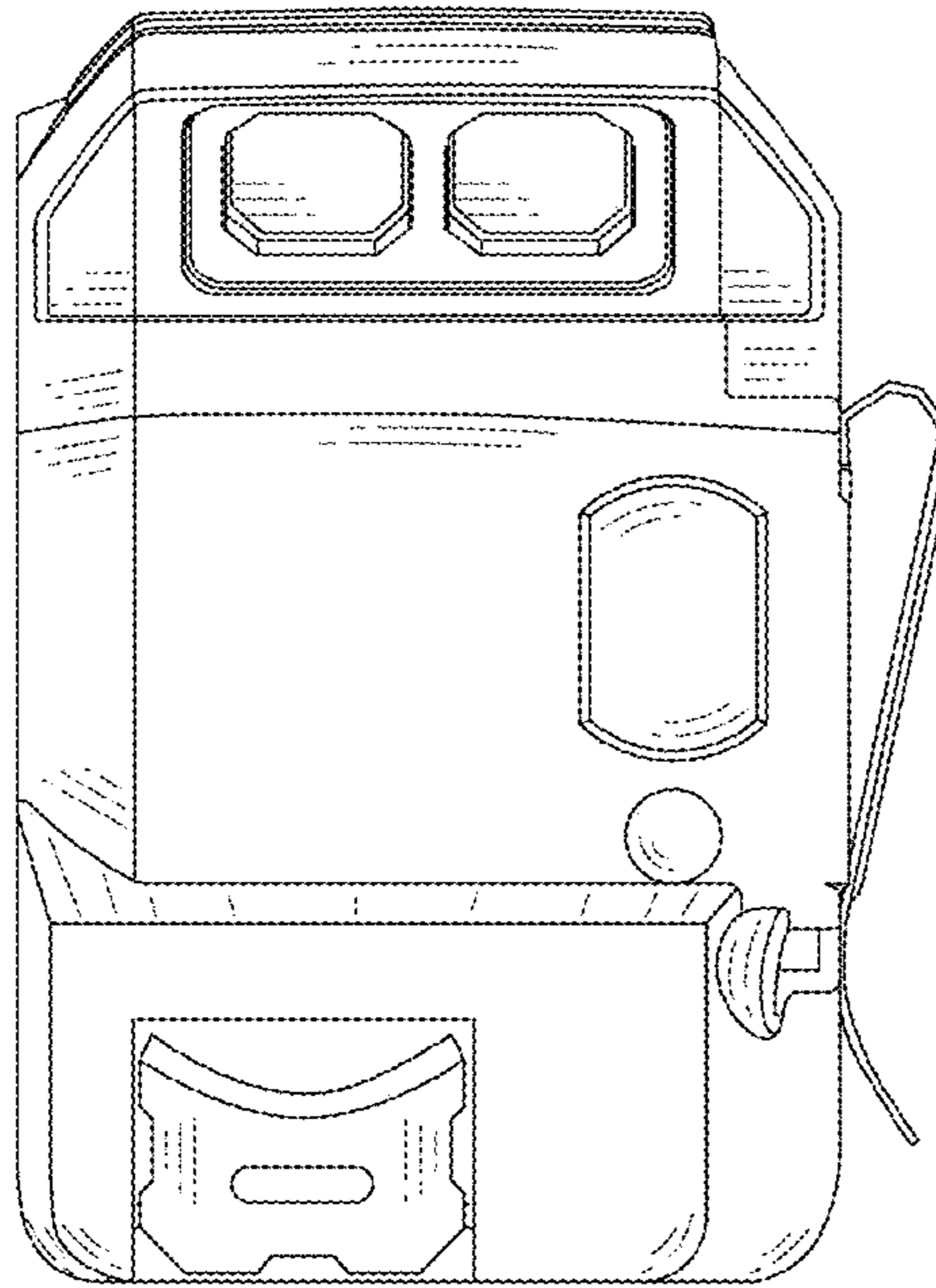


FIG. 4

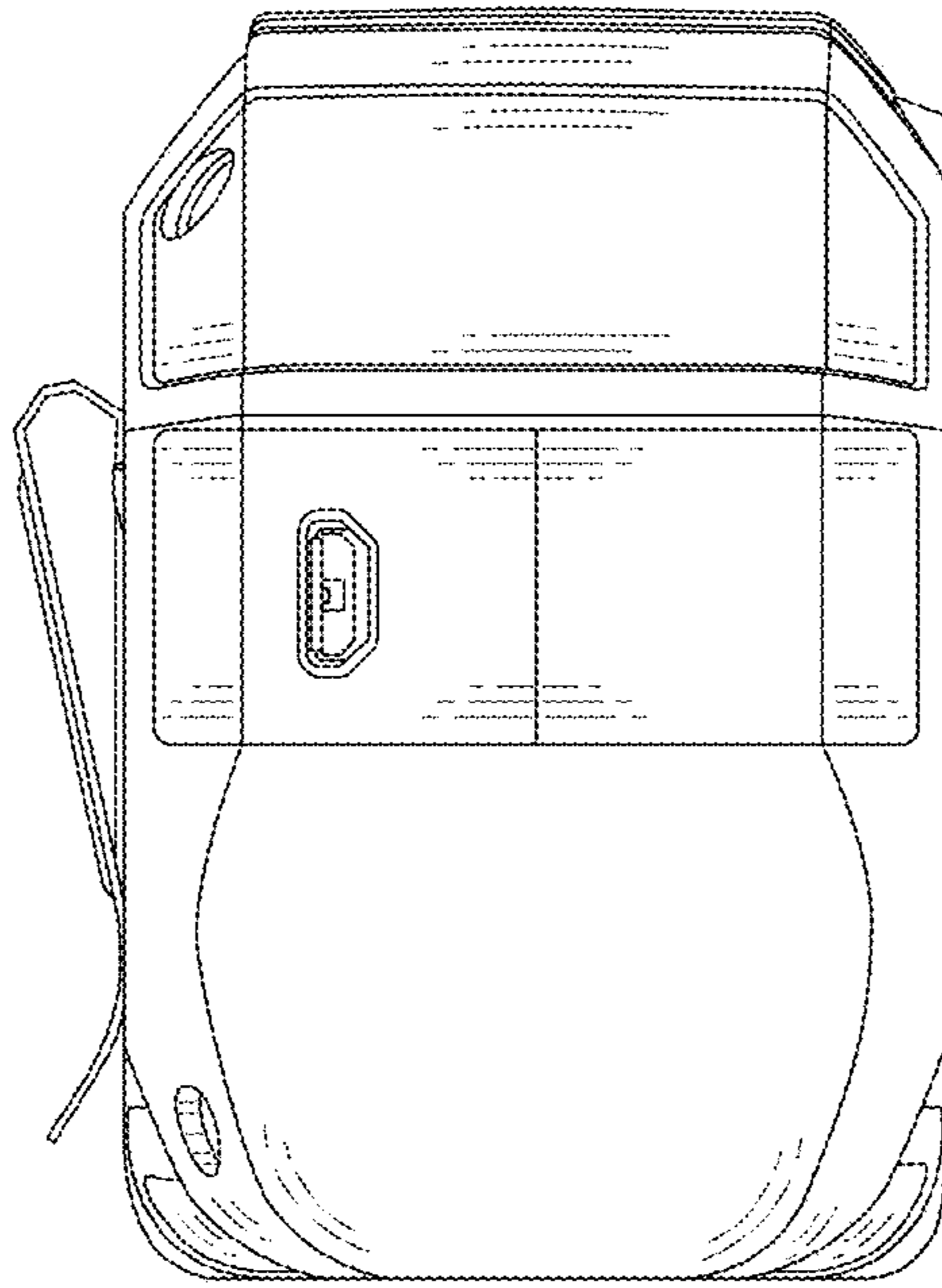


FIG. 5

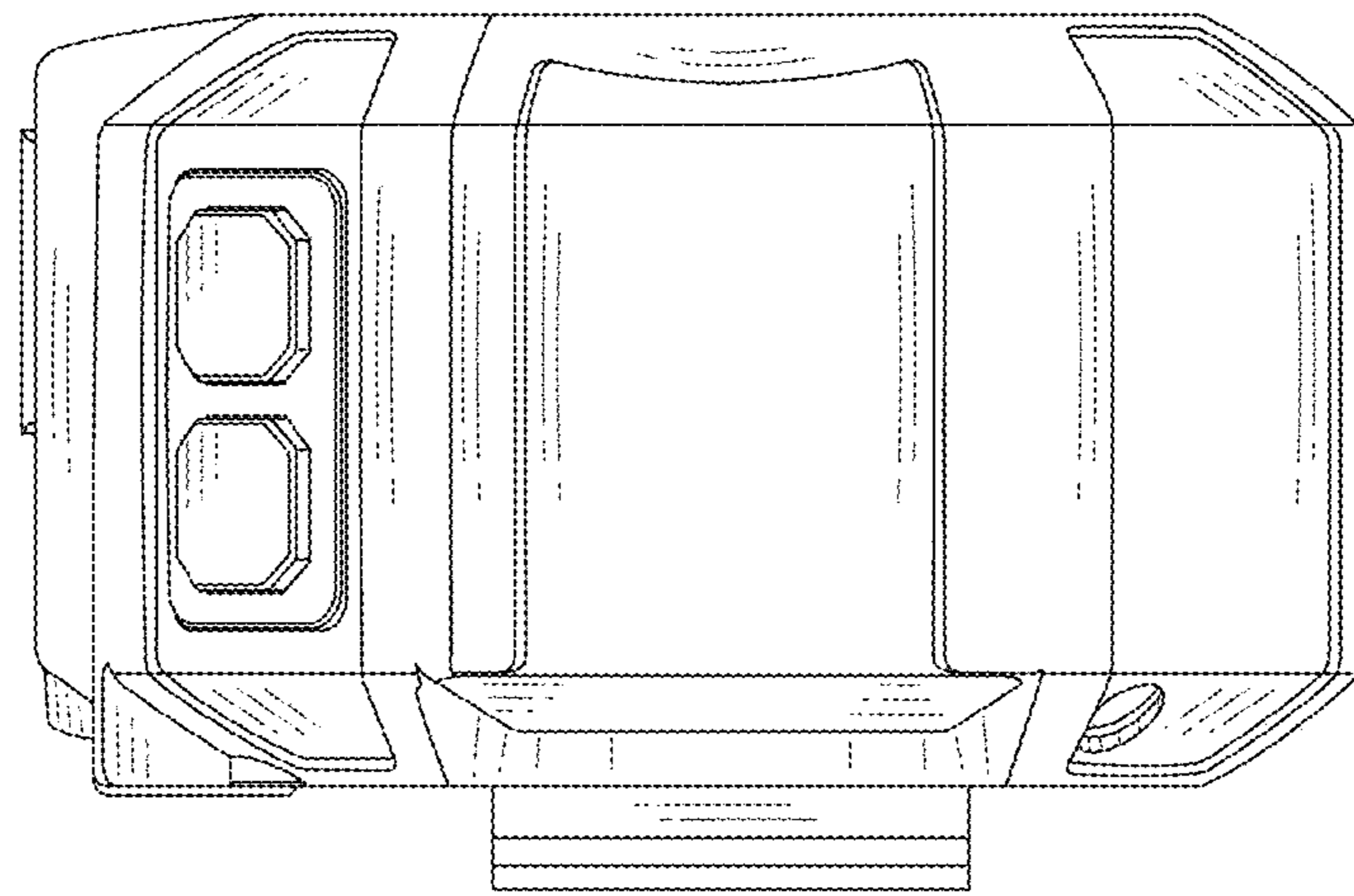


FIG. 6

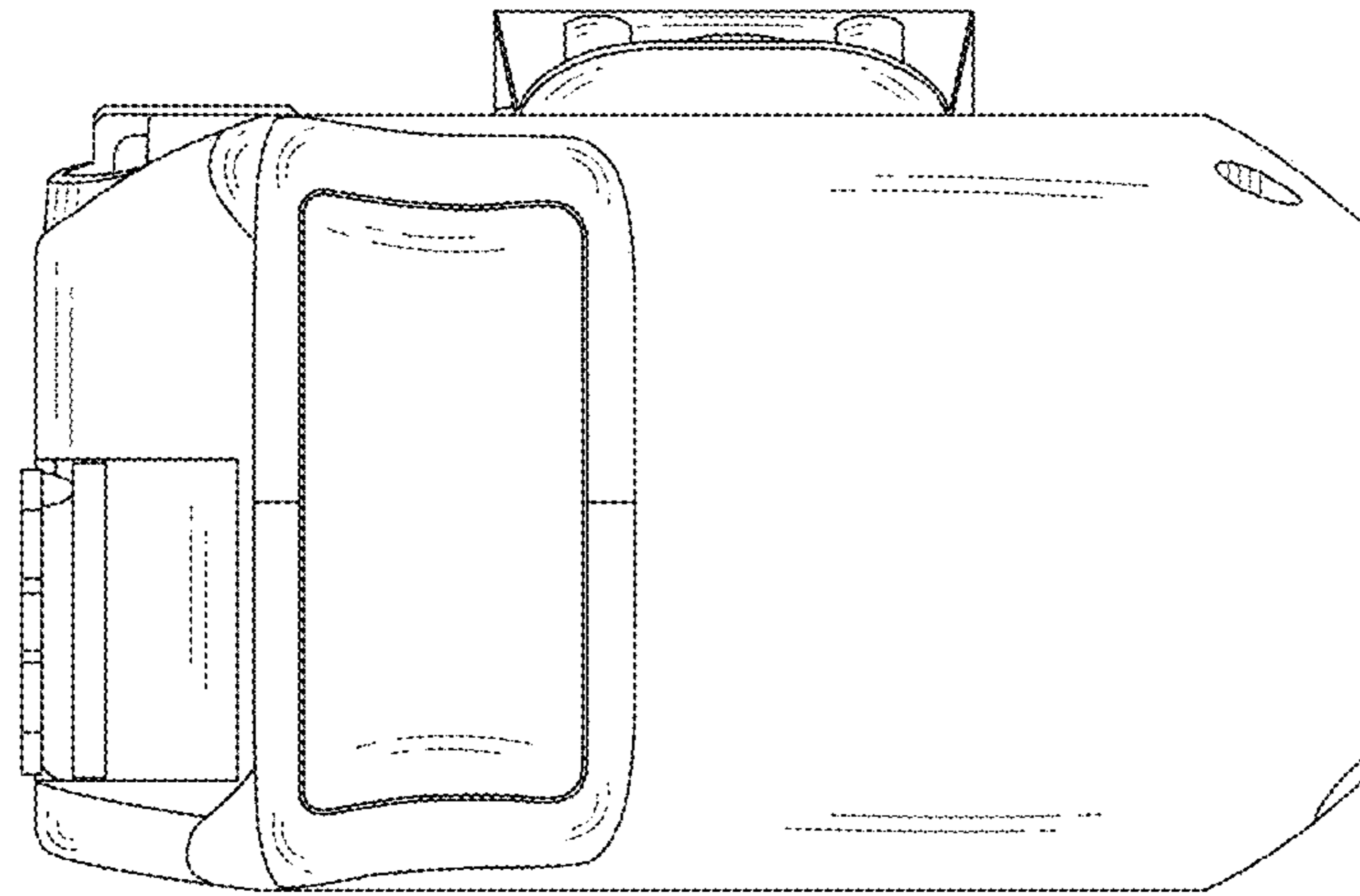


FIG. 7

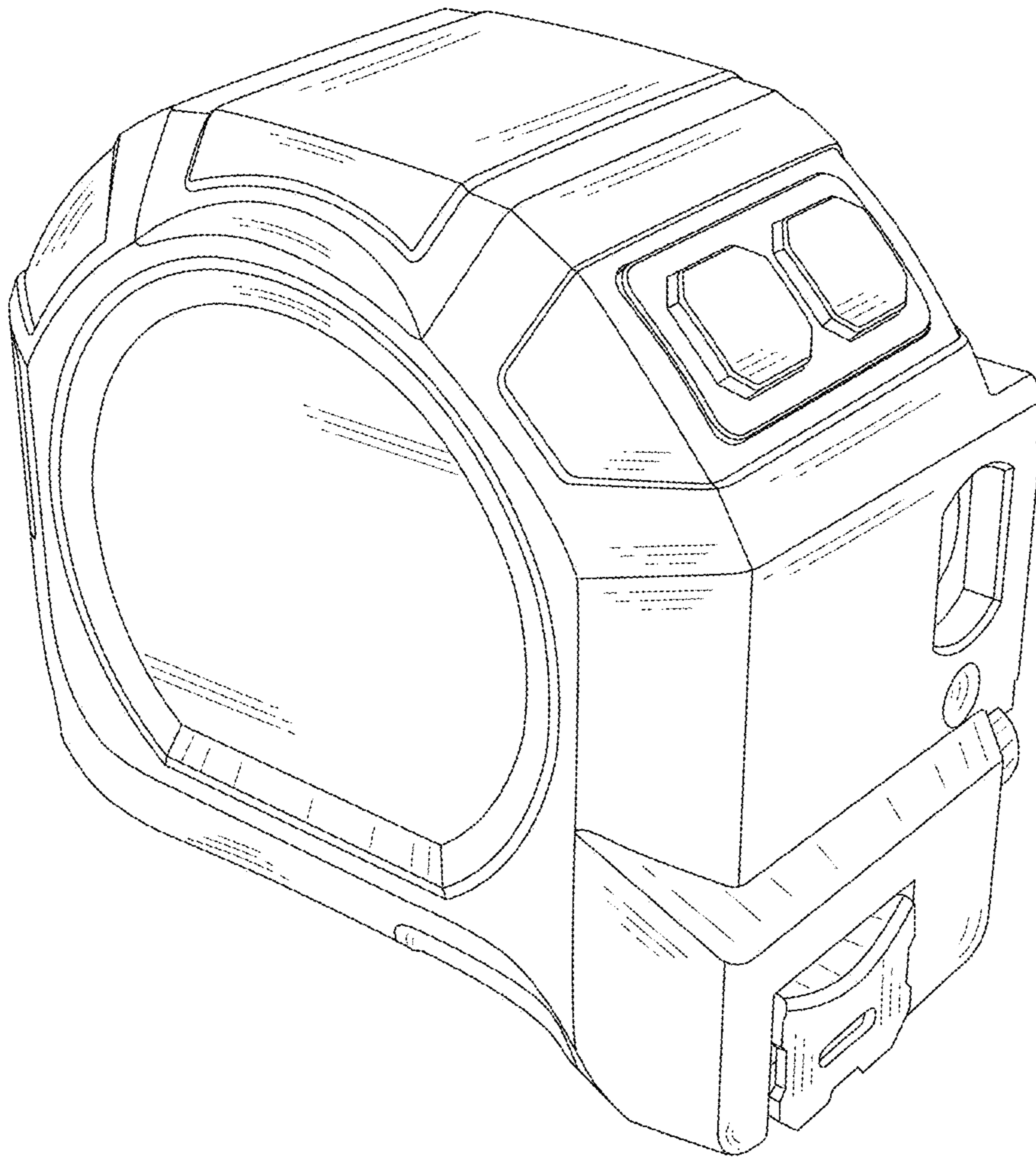


FIG. 8