

US00D909216S

(12) **United States Design Patent** (10) **Patent No.:** **US D909,216 S**
Vuletici et al. (45) **Date of Patent:** **** Feb. 2, 2021**

(54) **LIDAR SENSOR ASSEMBLY**

(56) **References Cited**

(71) Applicant: **Continental Automotive Systems, Inc.**, Auburn Hills, MI (US)

U.S. PATENT DOCUMENTS

(72) Inventors: **Goran Vuletici**, Santa Barbara, CA (US); **Jacob A. Bergam**, Santa Barbara, CA (US); **Octavio Samano Cancino**, Oxnard, CA (US)

7,961,301 B2 * 6/2011 Earhart G01S 3/7867
356/4.01
D849,573 S * 5/2019 Haban G01S 17/89
D10/70
10,288,737 B2 * 5/2019 Mooney G01S 17/89

* cited by examiner

(73) Assignee: **Continental Automotive Systems, Inc.**, Auburn Hills, MI (US)

Primary Examiner — Antoine Duval Davis

(74) *Attorney, Agent, or Firm* — Matthew Binkowski

(**) Term: **15 Years**

(57) **CLAIM**

What is claimed is the ornamental design for a lidar sensor assembly, as shown.

(21) Appl. No.: **29/677,263**

DESCRIPTION

(22) Filed: **Jan. 18, 2019**

(51) **LOC (13) Cl.** **10-04**

(52) **U.S. Cl.**
USPC **D10/70**

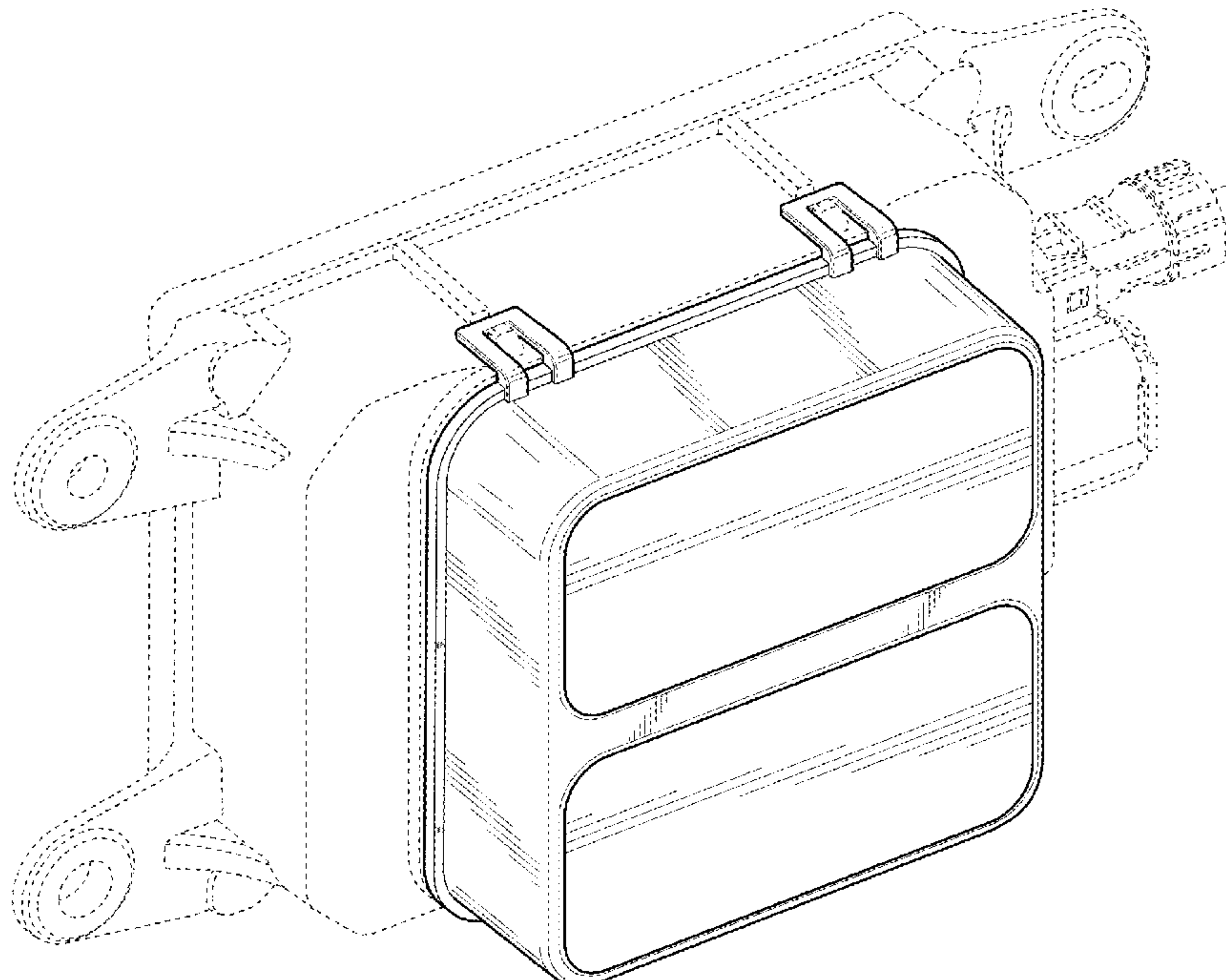
(58) **Field of Classification Search**
USPC D10/70

CPC G06T 17/05; G06T 19/00; G06T 17/00;
G01S 17/89; G01S 7/4808; G01S 7/003;
G01S 2013/9316; G01S 17/894; G01S
17/931; G01S 7/481; G01S 7/4813; G01S
17/93; G01S 17/936; G01S 7/4817; G01S
17/42; G01S 7/4818; G01S 7/4865; G01S
7/4873; G01S 17/10; G01S 2007/4975;
G01S 7/4814; G01S 7/4816; G01S
7/4802; G05D 1/0088; G06F 17/12;
G06N 99/005; G02B 19/0028; G02B
19/0085; G02B 26/106; G02B 26/108;
G01C 3/08

FIG. 1 is a perspective view of a lidar sensor assembly according to a first embodiment;
FIG. 2 is a front elevation view of the lidar sensor assembly shown in FIG. 1;
FIG. 3 is a rear elevation view of the lidar sensor assembly shown in FIG. 1;
FIG. 4 is a left side elevation view of the lidar sensor assembly shown in FIG. 1;
FIG. 5 is a right side elevation view of the lidar sensor assembly shown in FIG. 1;
FIG. 6 is a top plan view of the lidar sensor assembly shown in FIG. 1; and,
FIG. 7 is a bottom plan view of the lidar sensor assembly shown in FIG. 1.
The portions of the lidar sensor assembly shown in broken lines are for illustrative purposes only and form no part of the claimed design.

See application file for complete search history.

1 Claim, 6 Drawing Sheets



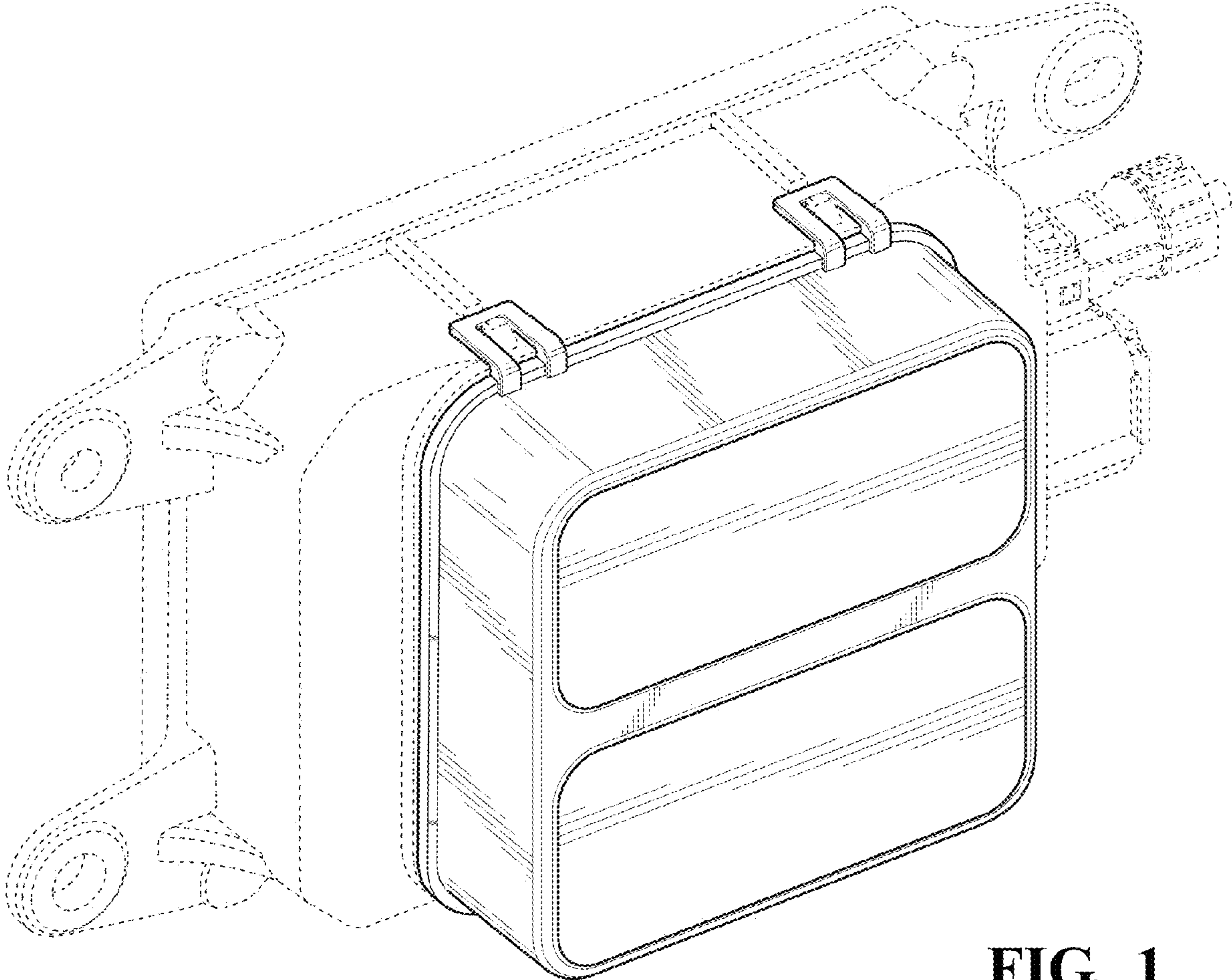


FIG. 1

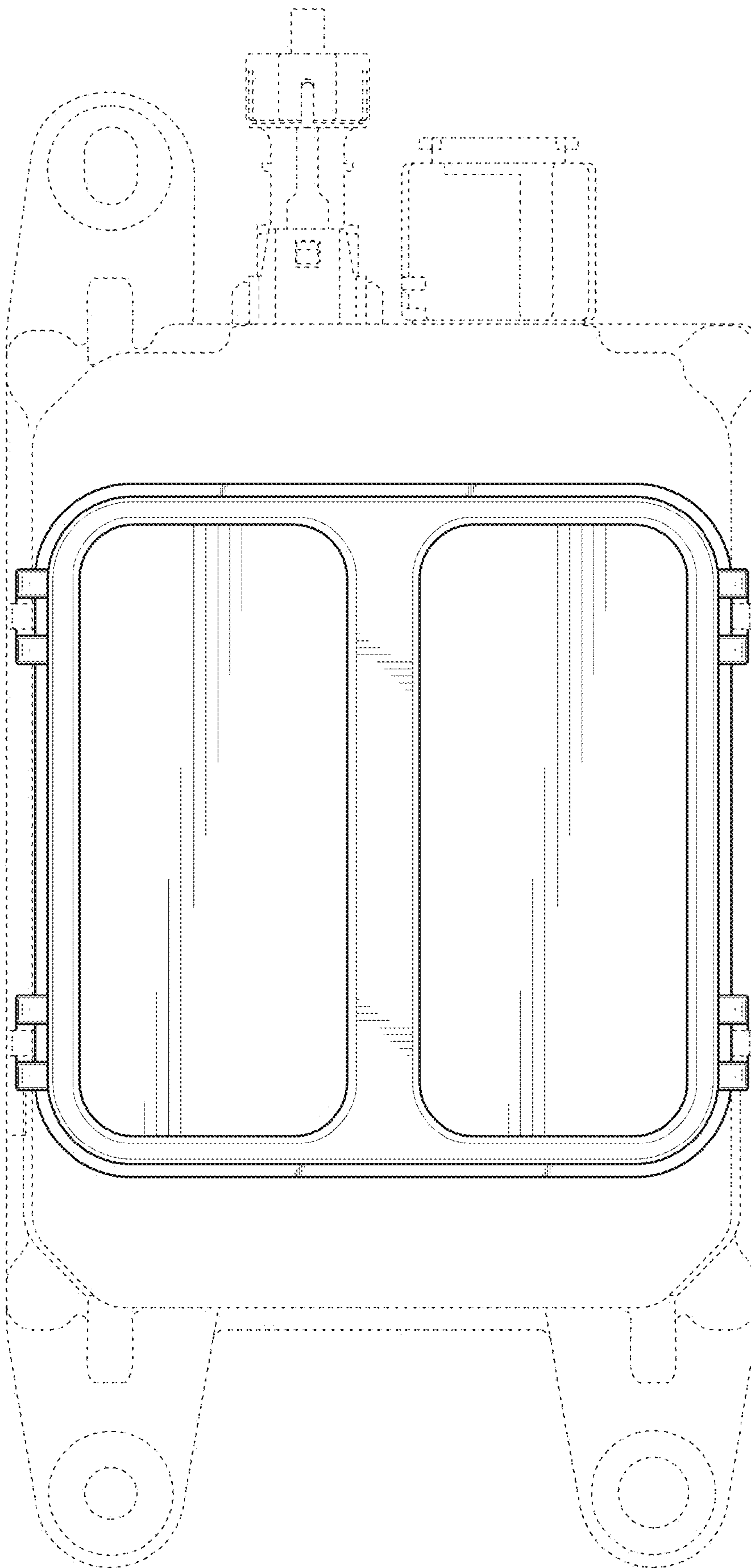


FIG. 2

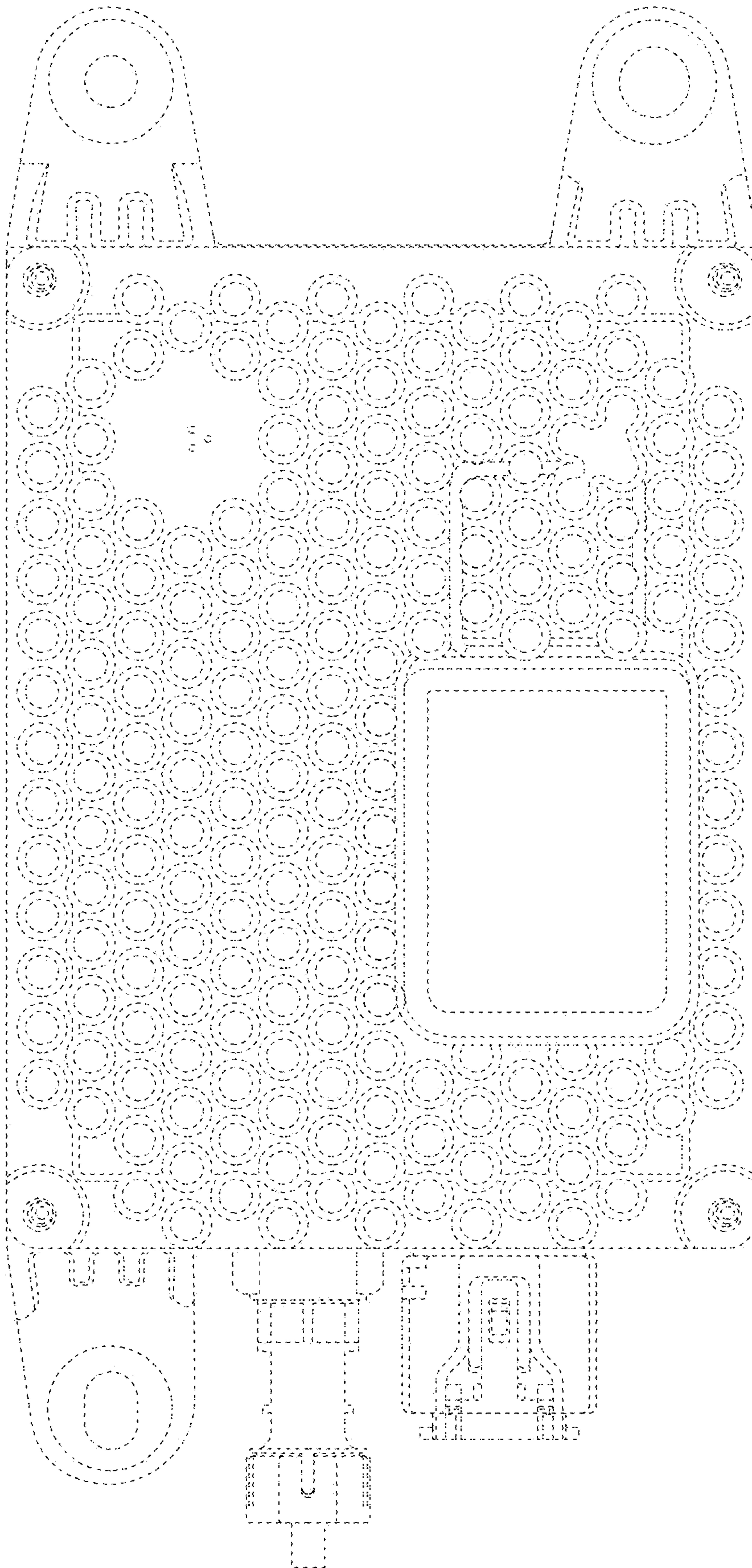


FIG. 3

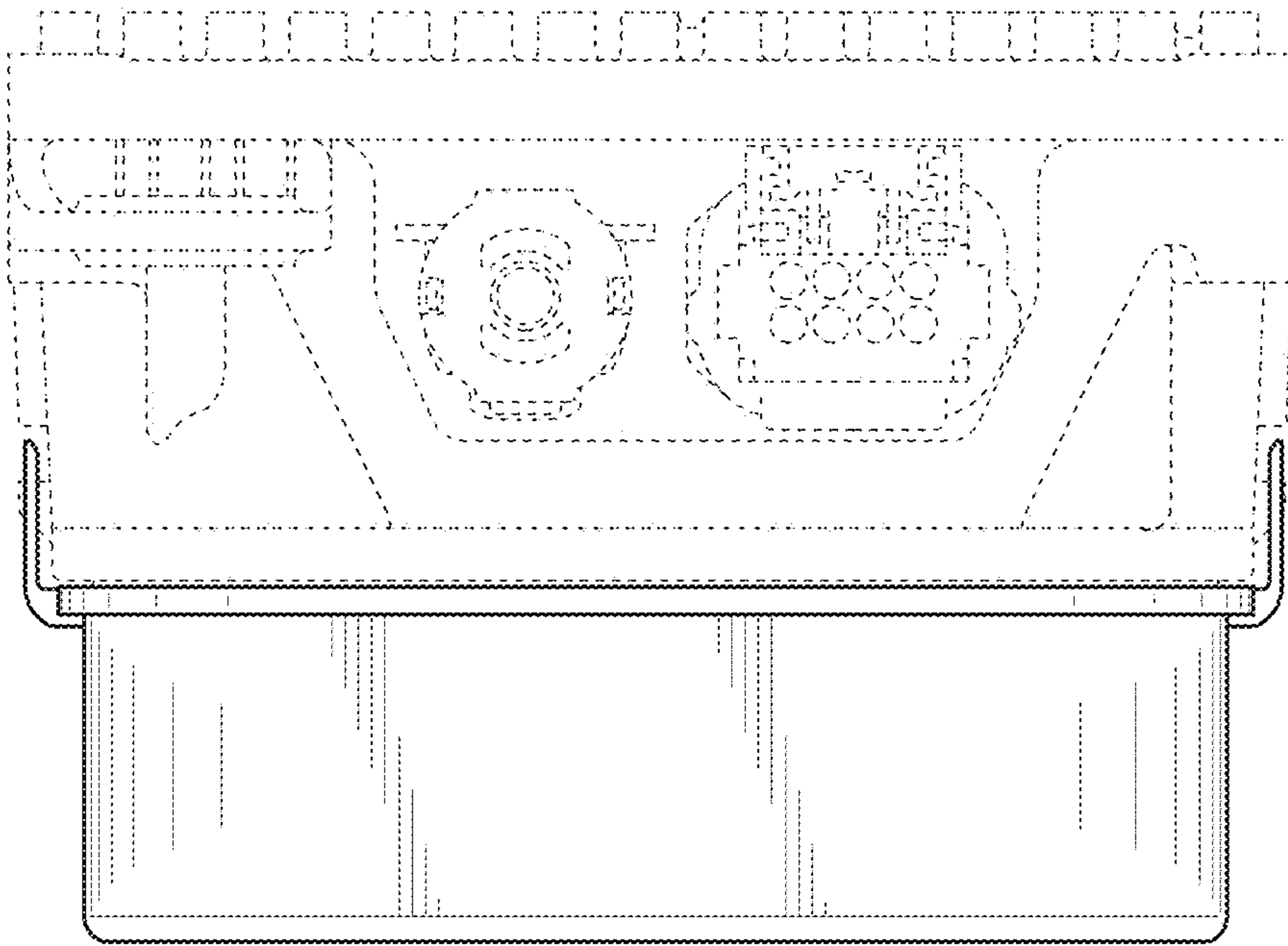


FIG. 5

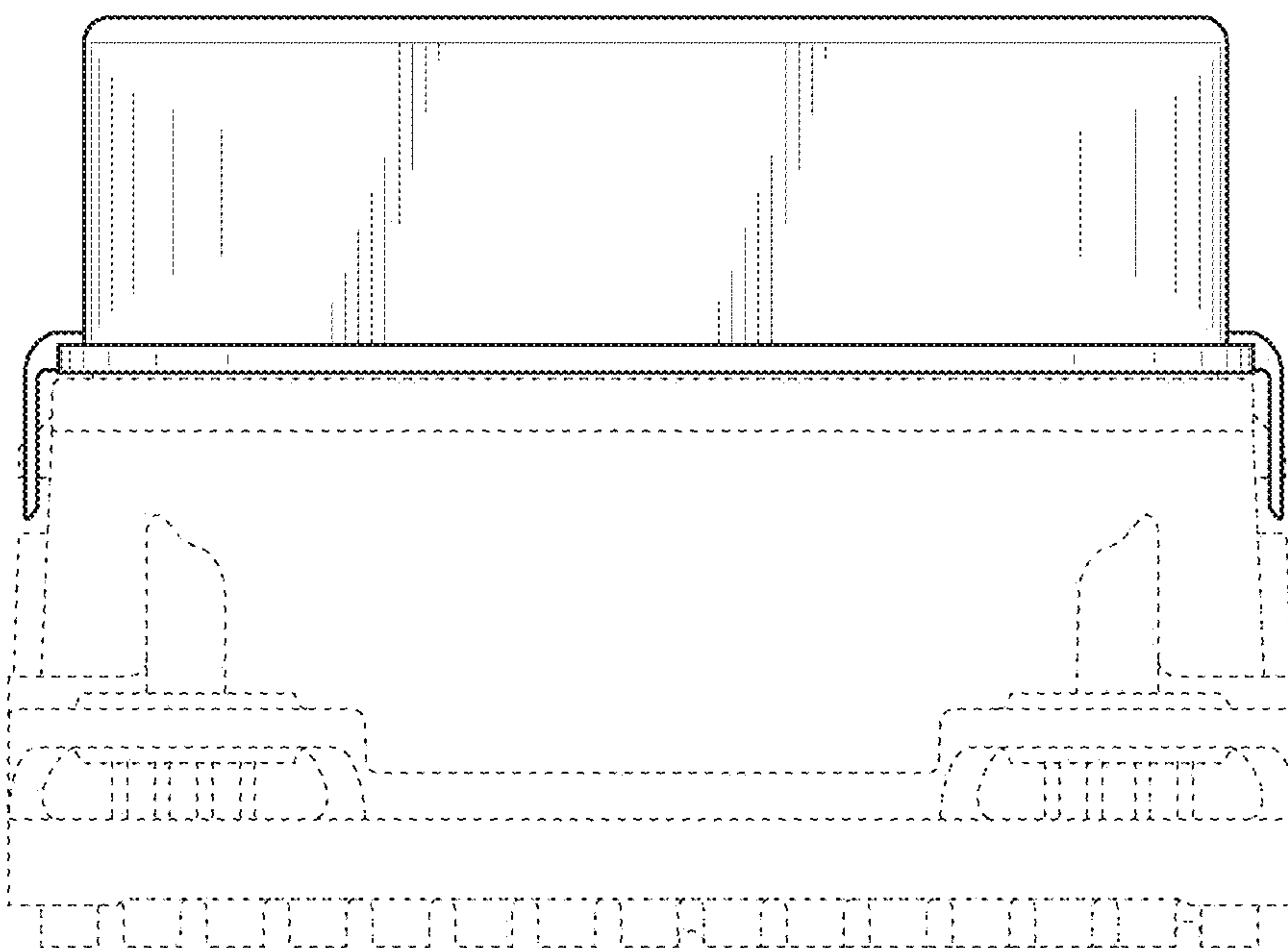


FIG. 4

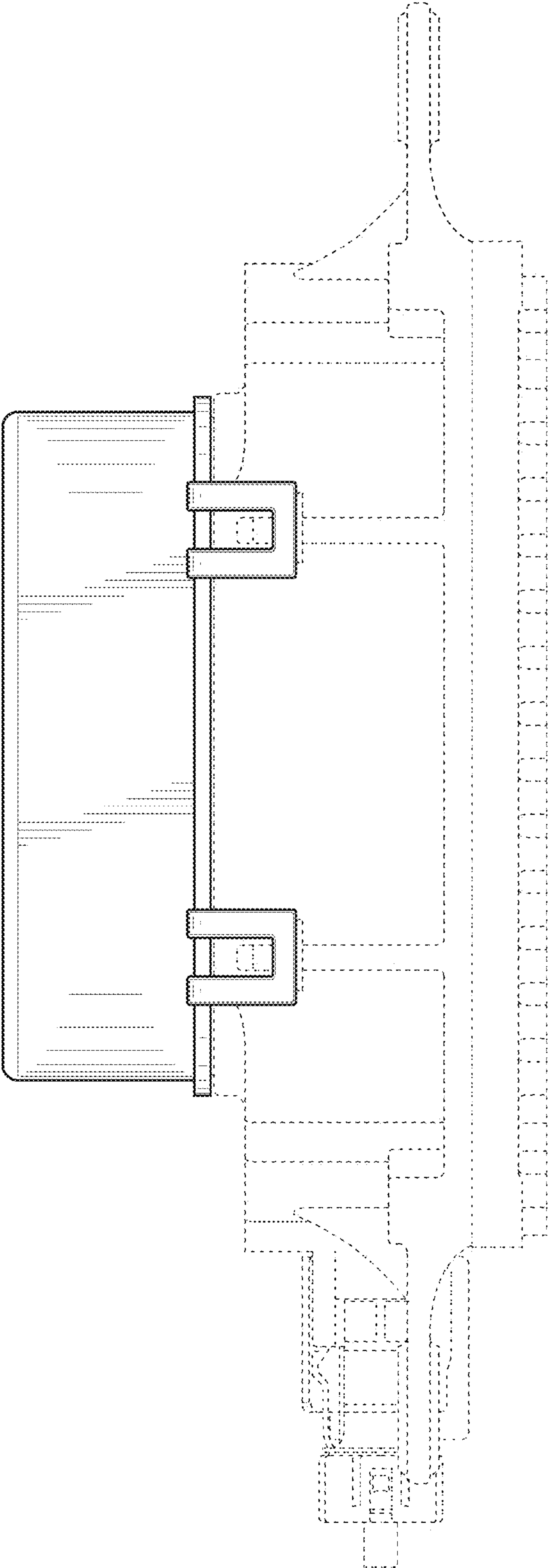


FIG. 6

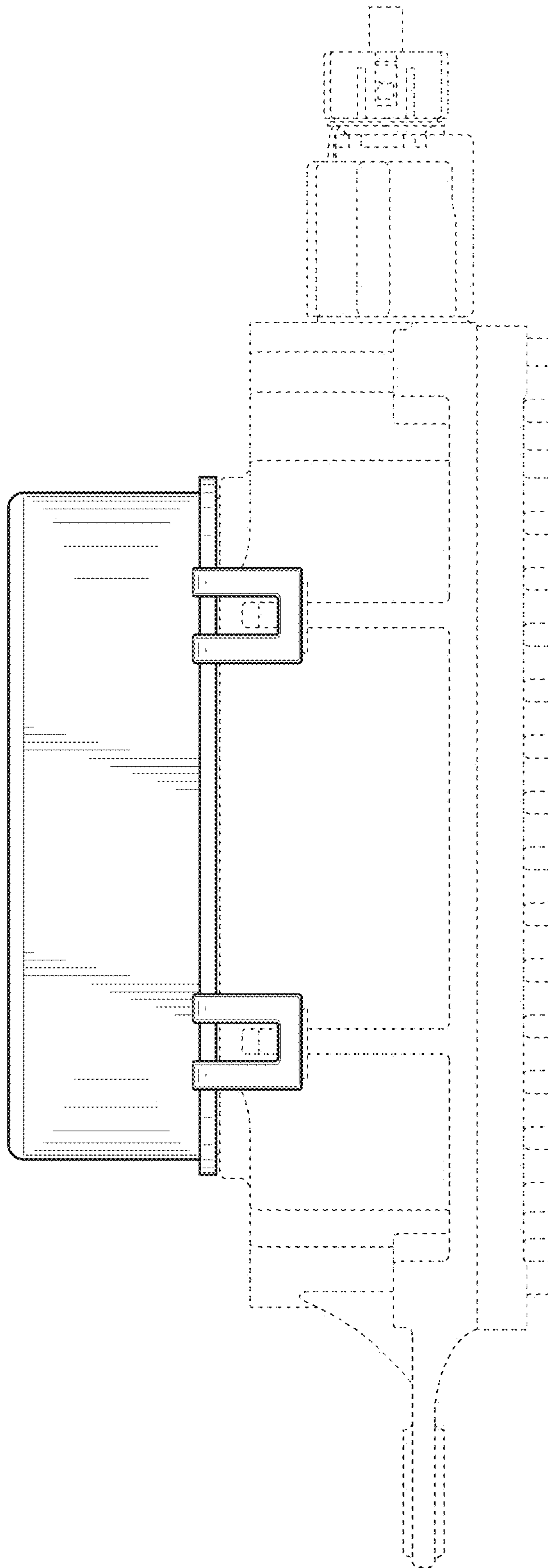


FIG. 7