



US00D909215S

(12) **United States Design Patent**
Diaz

(10) **Patent No.:** **US D909,215 S**
(45) **Date of Patent:** **** Feb. 2, 2021**

(54) **CENTER FINDER**

(71) Applicant: **Estefan A. Diaz**, South Beloit, IL (US)

(72) Inventor: **Estefan A. Diaz**, South Beloit, IL (US)

(73) Assignee: **Nomis LLC**, Palatine, IL (US)

(**) Term: **15 Years**

(21) Appl. No.: **29/684,493**

(22) Filed: **Mar. 21, 2019**

(51) **LOC (13) Cl.** **10-04**

(52) **U.S. Cl.**
USPC **D10/65**

(58) **Field of Classification Search**

USPC D10/64, 65

CPC . B25H 7/00; B25H 7/005; B25H 7/02; B25H
7/04; B25H 7/045; B25D 5/00; B25D
5/02; G01B 5/25

See application file for complete search history.

(56) **References Cited**

U.S. PATENT DOCUMENTS

2,536,401	A *	1/1951	Victor	G01B 3/30 33/567
D224,440	S *	7/1972	Daughtry	D10/62
3,985,462	A *	10/1976	Didato	B23Q 3/18 408/72 R
6,862,815	B1 *	3/2005	Blouch	G01B 3/30 33/562
D540,701	S *	4/2007	Miller	B23Q 3/18 D10/64
D596,054	S *	7/2009	Nieto	G01B 3/30 D10/64
8,064,070	B2 *	11/2011	Schauer	G05B 19/402 356/614

OTHER PUBLICATIONS

Rockler Woodworking and Hardware; Rockler Center/Offset Marking Tool; ten (10) pages printed from the internet; known prior to Mar. 21, 2019; "https://www.rockler.com/rockler-center-offset-marking-tool?sid=V9146?utm_source=goo . . .".

* cited by examiner

Primary Examiner — Antoine Duval Davis

(74) *Attorney, Agent, or Firm* — Reinhart Boerner Van Deuren P.C.

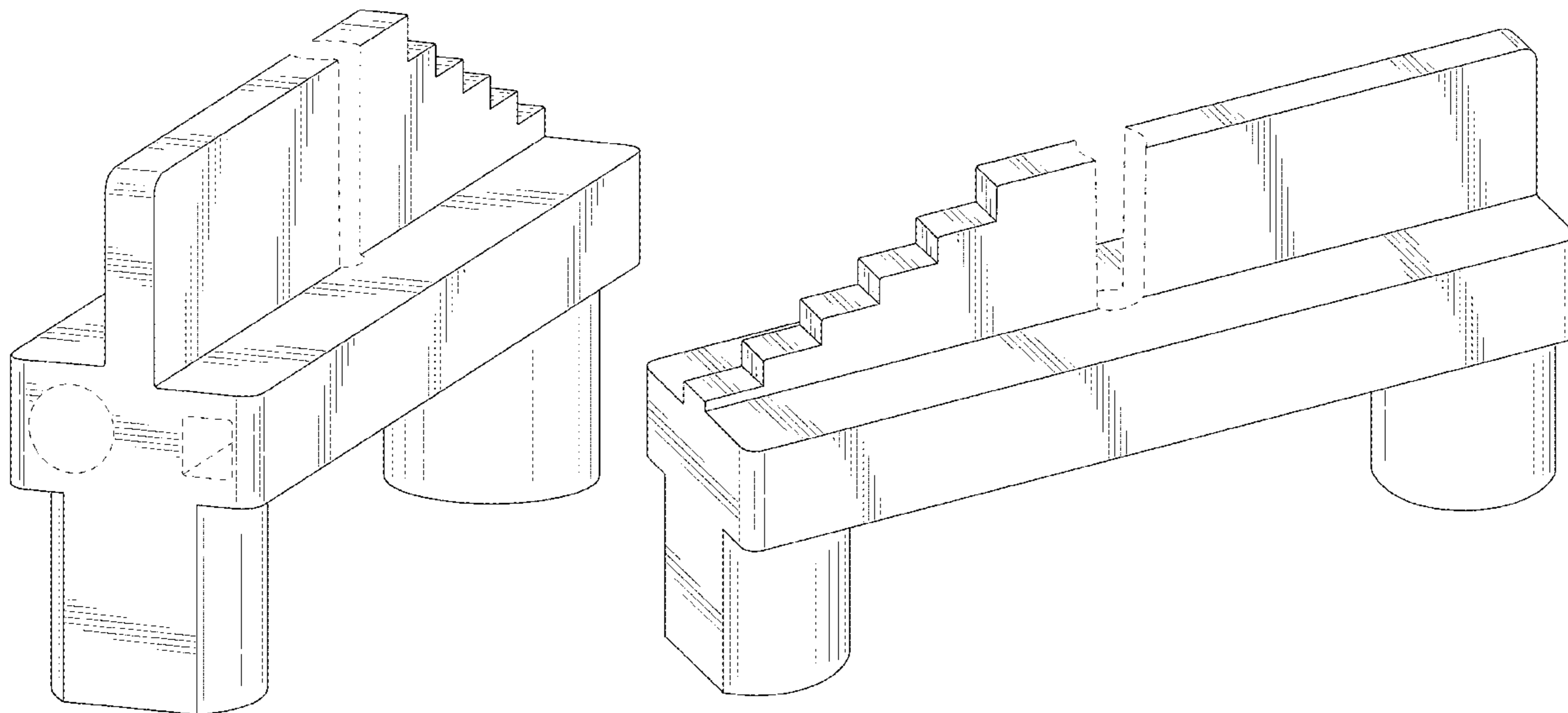
(57) **CLAIM**

I claim the ornamental design for the center finder, as shown and described.

DESCRIPTION

FIG. 1 is a perspective view of the center finder;
FIG. 2 is a perspective view thereof;
FIG. 3 is a front view thereof;
FIG. 4 is a back view thereof;
FIG. 5 is a side view thereof;
FIG. 6 is a side view thereof showing the side opposite that shown in FIG. 5;
FIG. 7 is a top view thereof; and,
FIG. 8 is a bottom view thereof.
The dashed lines illustrate unclaimed environmental features that form no part of the claimed design.

1 Claim, 6 Drawing Sheets



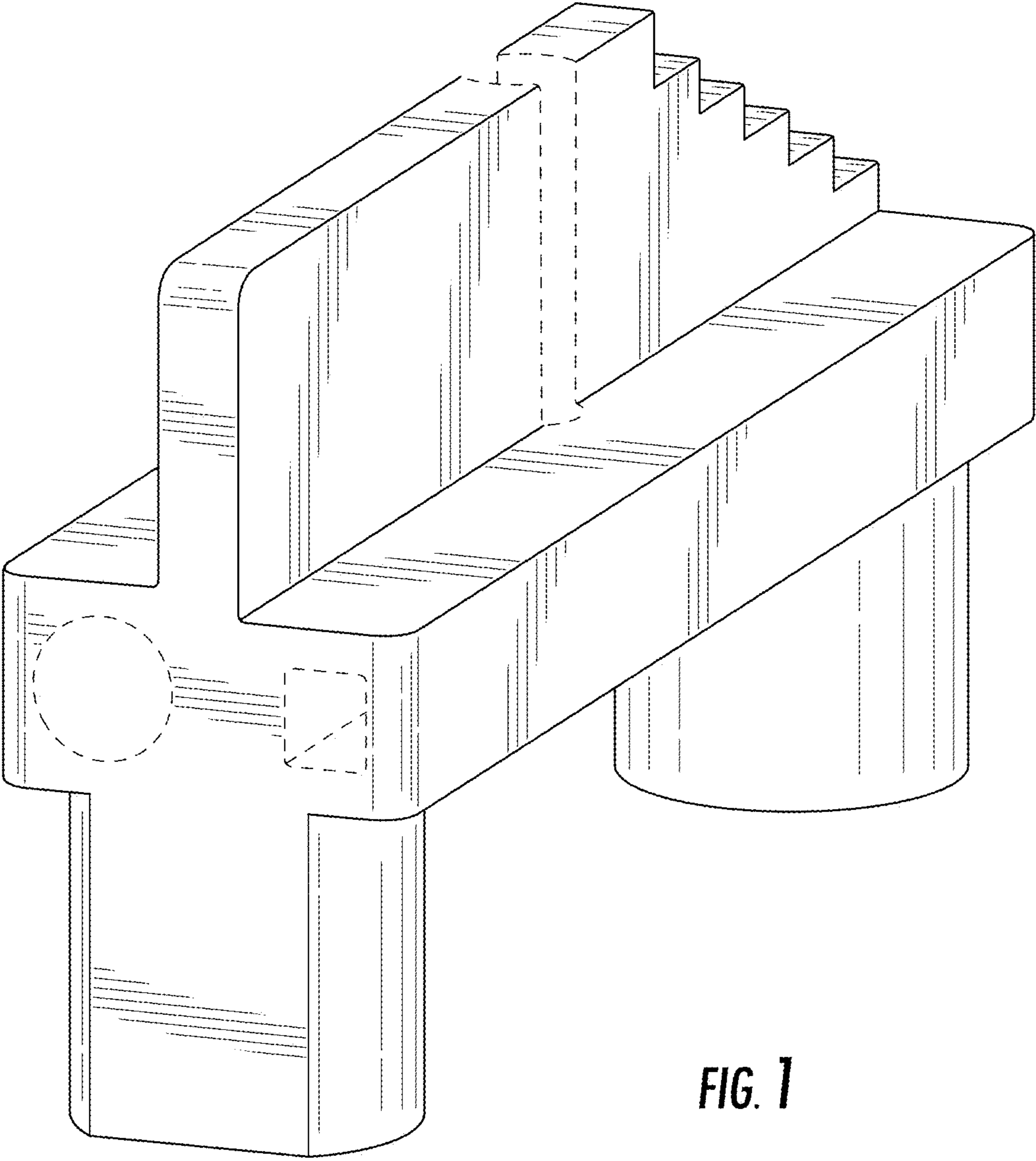


FIG. 1

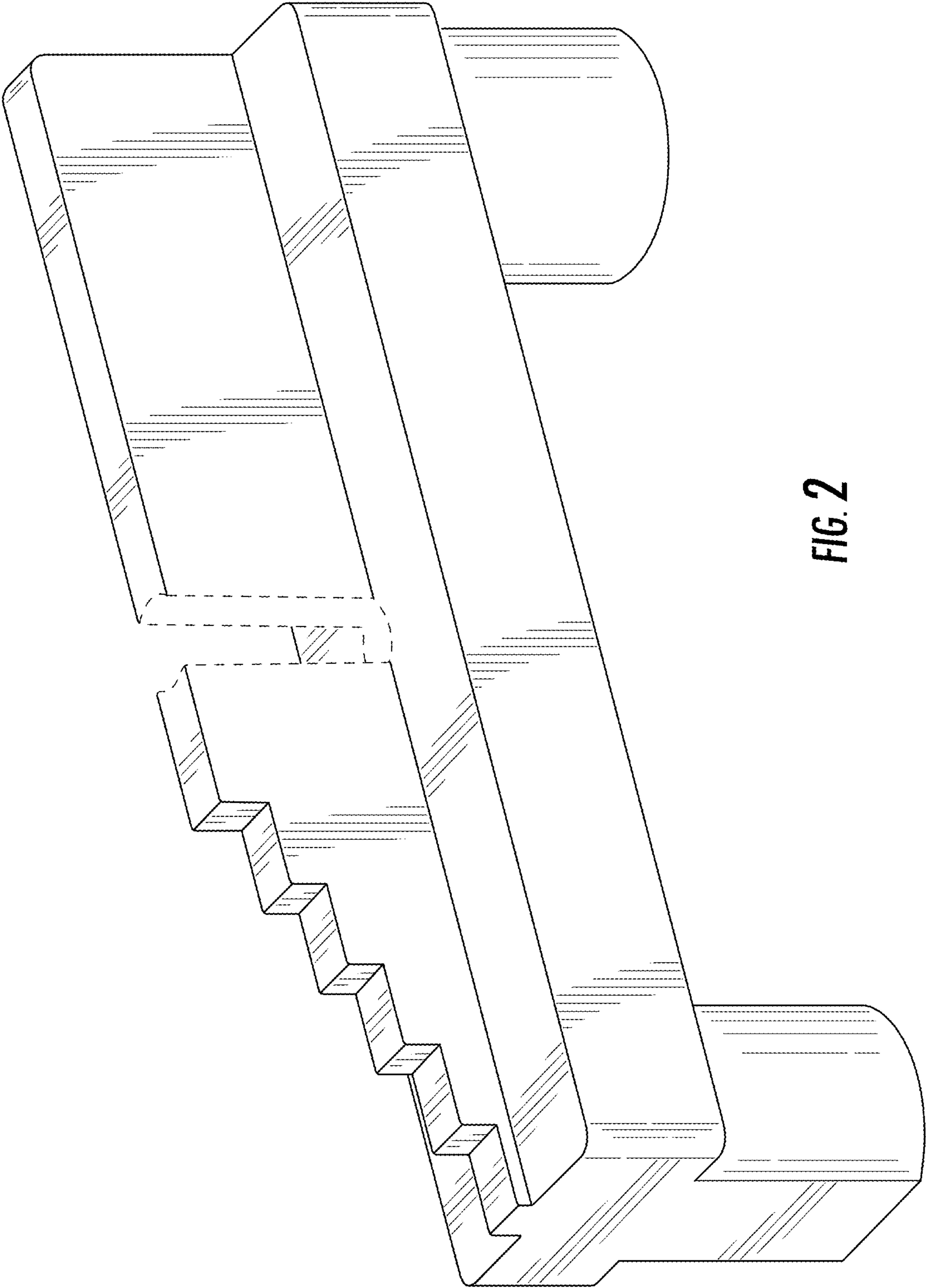


FIG. 2

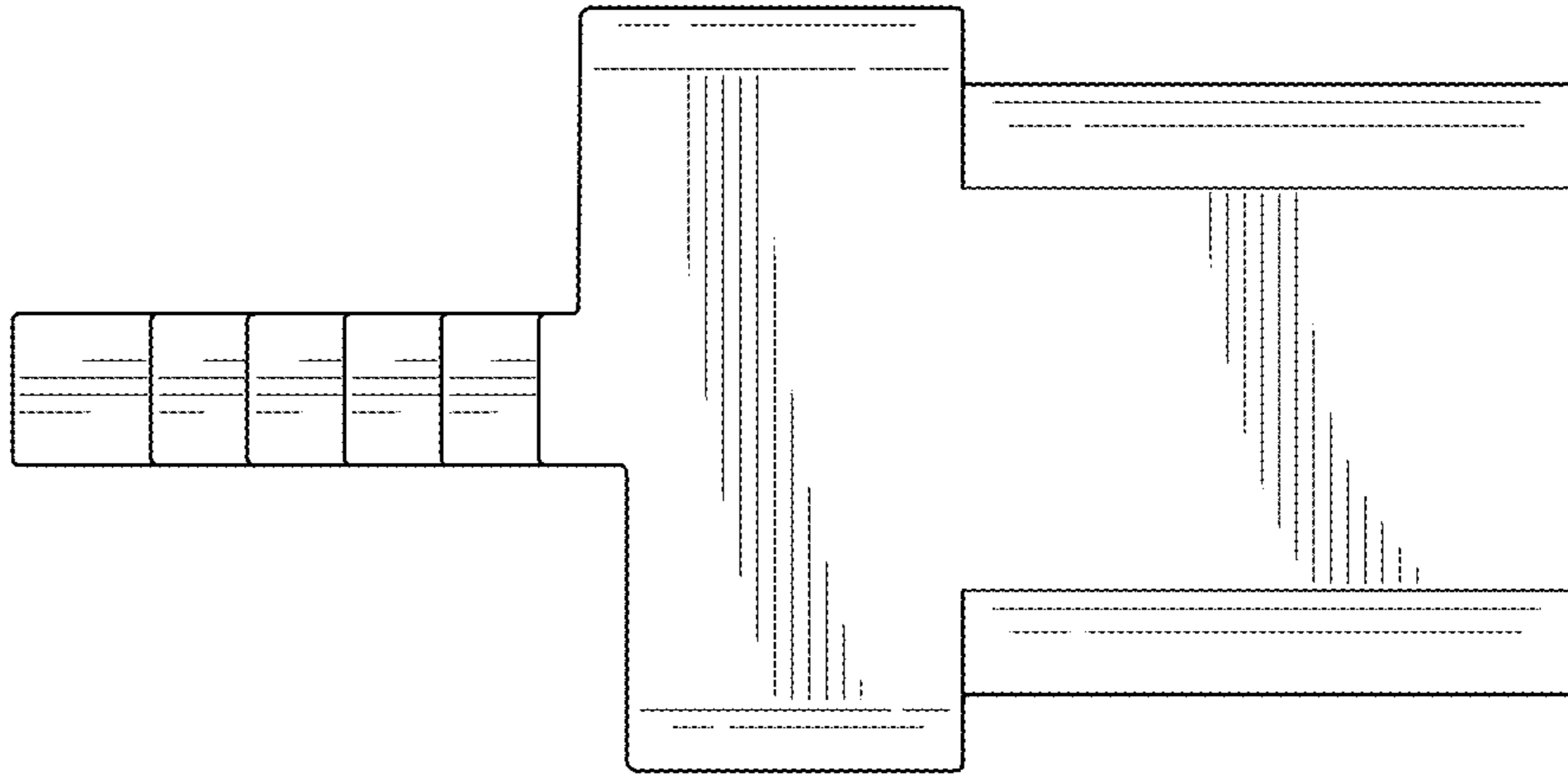


FIG. 4

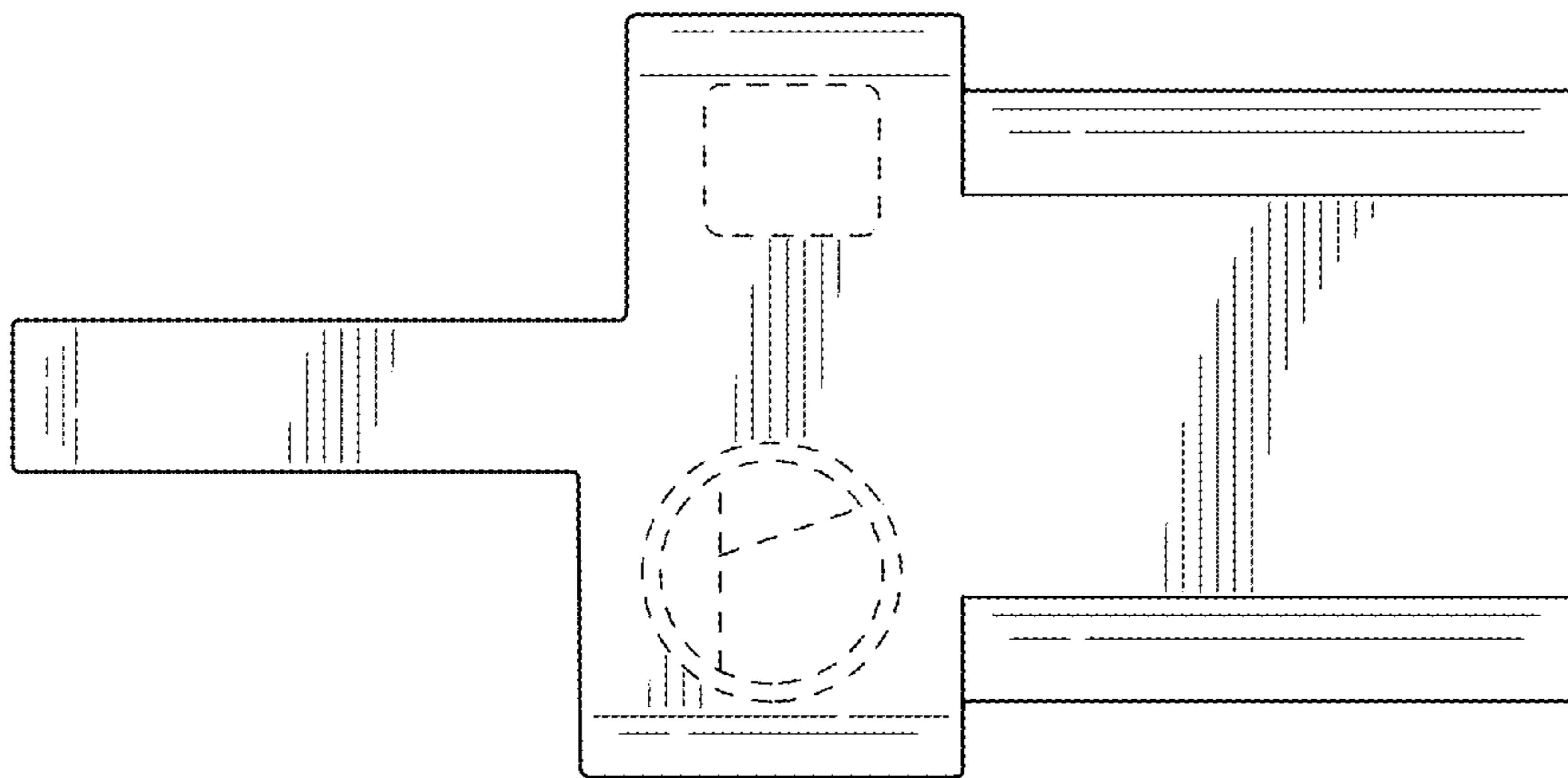


FIG. 3

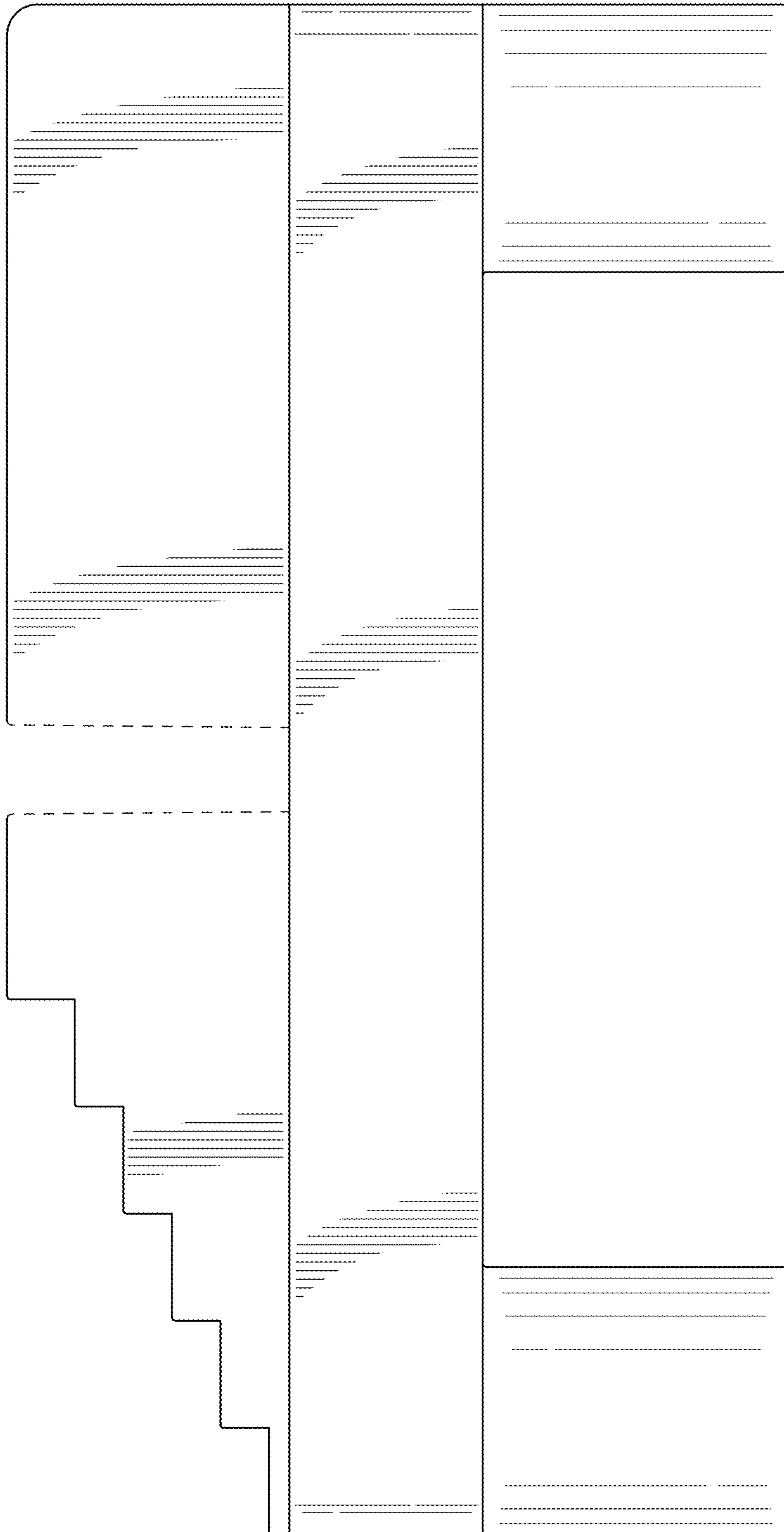


FIG. 5

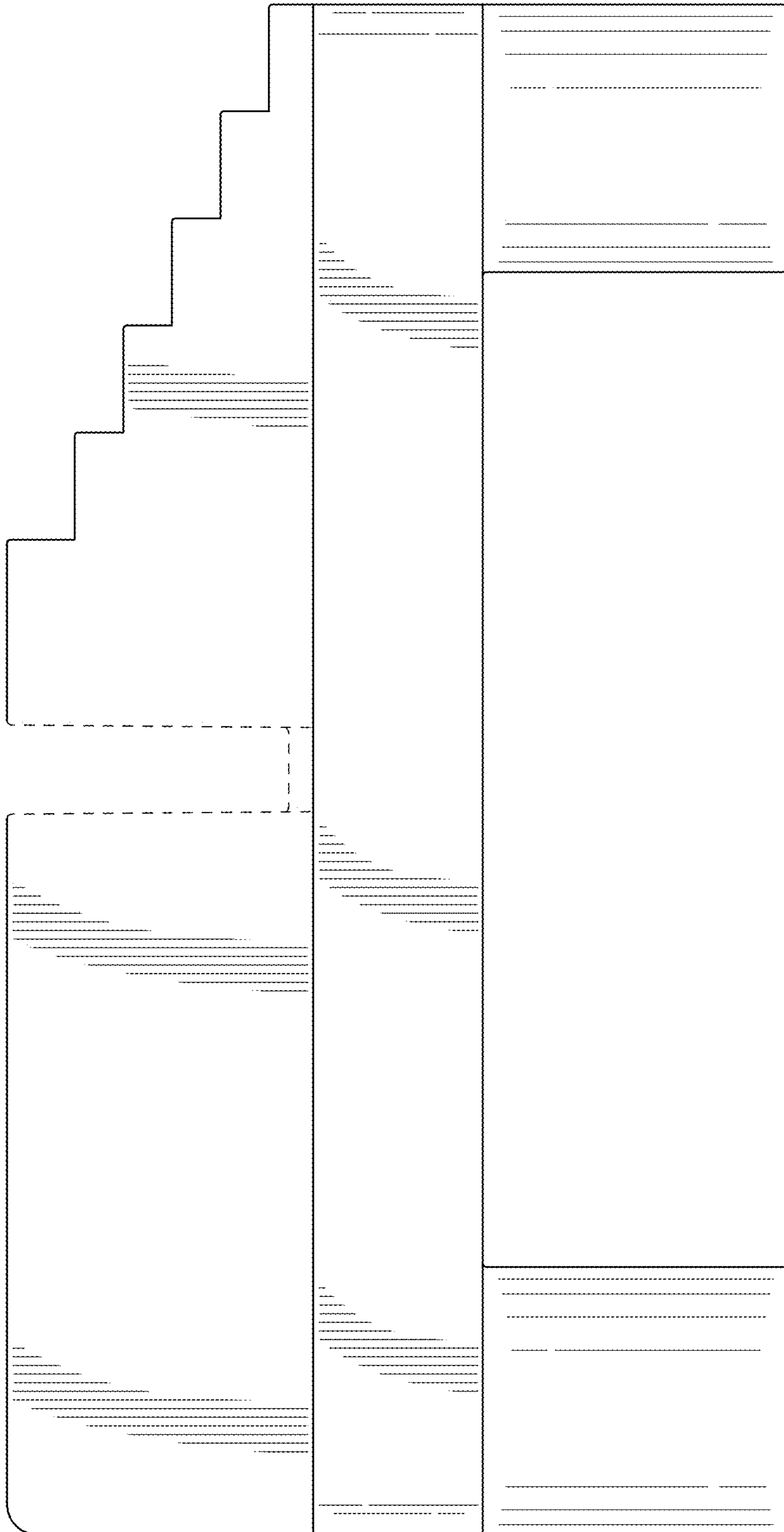


FIG. 6

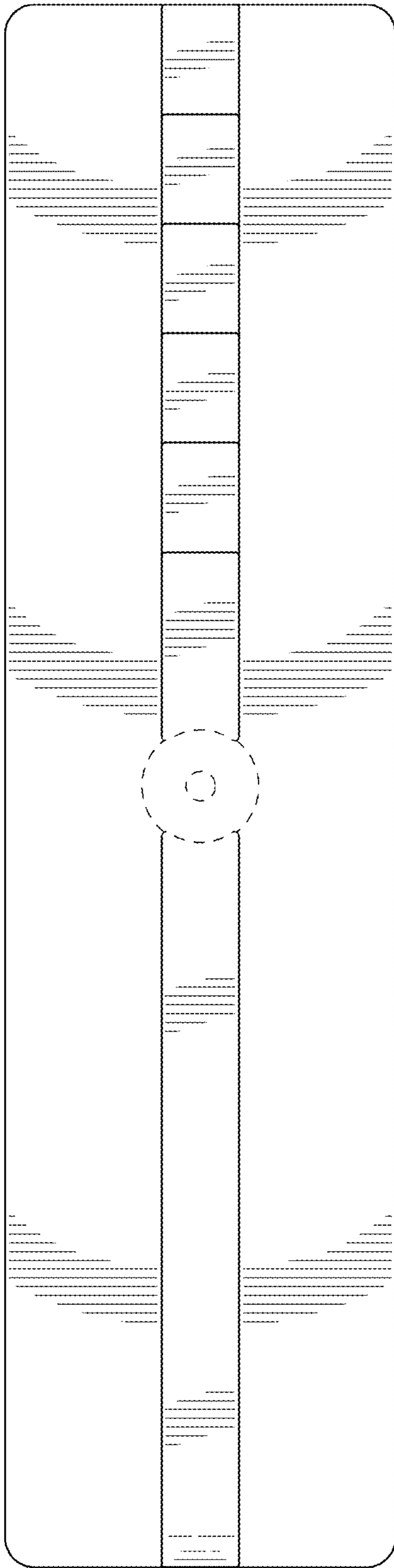


FIG. 7

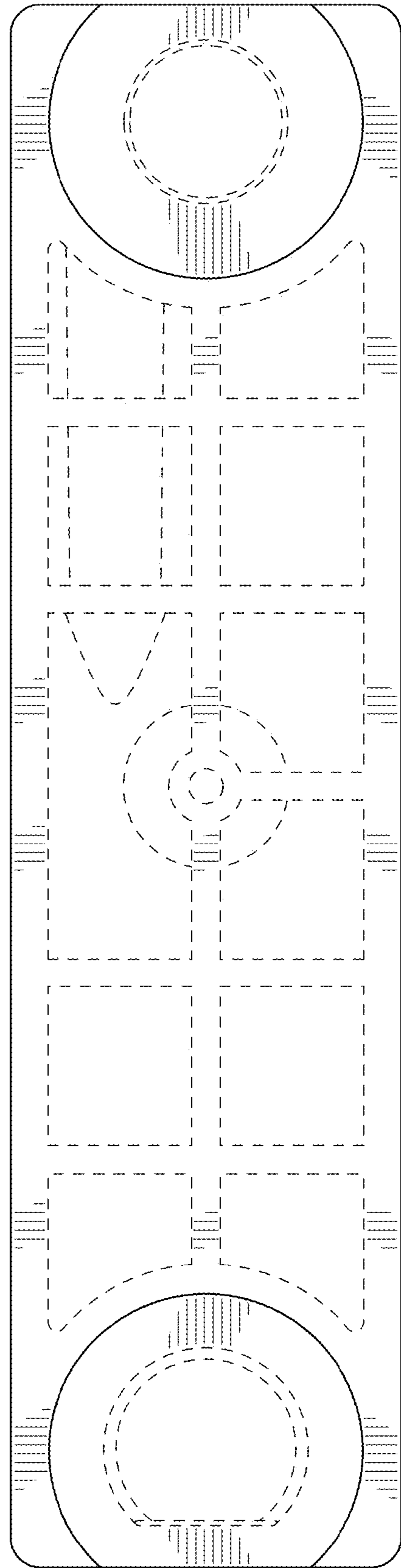


FIG. 8