



US00D909214S

(12) **United States Design Patent**  
**Duval**

(10) **Patent No.:** **US D909,214 S**

(45) **Date of Patent:** **\*\* Feb. 2, 2021**

(54) **WATCH**

(71) Applicant: **SEVENFRIDAY AG**, Zürich (CH)

(72) Inventor: **Arnaud Duval**, Bienne (CH)

(\*\*) Term: **15 Years**

(21) Appl. No.: **35/508,264**

(22) Filed: **Nov. 5, 2019**

(80) **Hague Agreement Data**

Int. Filing Date: **Nov. 5, 2019**

Int. Reg. No.: **DM/204963**

Int. Reg. Date: **Nov. 5, 2019**

Int. Reg. Pub. Date: **Dec. 27, 2019**

(51) **LOC (13) Cl.** ..... **10-02**

(52) **U.S. Cl.**  
USPC ..... **D10/39**

(58) **Field of Classification Search**  
USPC ..... D10/30, 39; D14/344  
See application file for complete search history.

(56) **References Cited**

**U.S. PATENT DOCUMENTS**

D747,979 S \* 1/2016 Babcock ..... D10/30  
D749,433 S \* 2/2016 Duval ..... D10/39

D773,457 S \* 12/2016 Park ..... D14/344  
D801,197 S \* 10/2017 Duval ..... D10/39  
D818,846 S \* 5/2018 Duval ..... D10/38  
D836,007 S \* 12/2018 Duval ..... D10/39  
D839,104 S \* 1/2019 Duval ..... D10/38  
D856,166 S \* 8/2019 Duval ..... D10/39  
D887,865 S \* 6/2020 Duval ..... D10/39

\* cited by examiner

*Primary Examiner* — George D. Kirschbaum

(57) **CLAIM**

The ornamental design for a watch, as shown and described.

**DESCRIPTION**

- 1. Watch
- 1.1 : Perspective
- 1.2 : Perspective
- 1.3 : Top
- 1.4 : Left
- 1.5 : Back
- 1.6 : Front
- 1.7 : Bottom
- 1.8 : Right

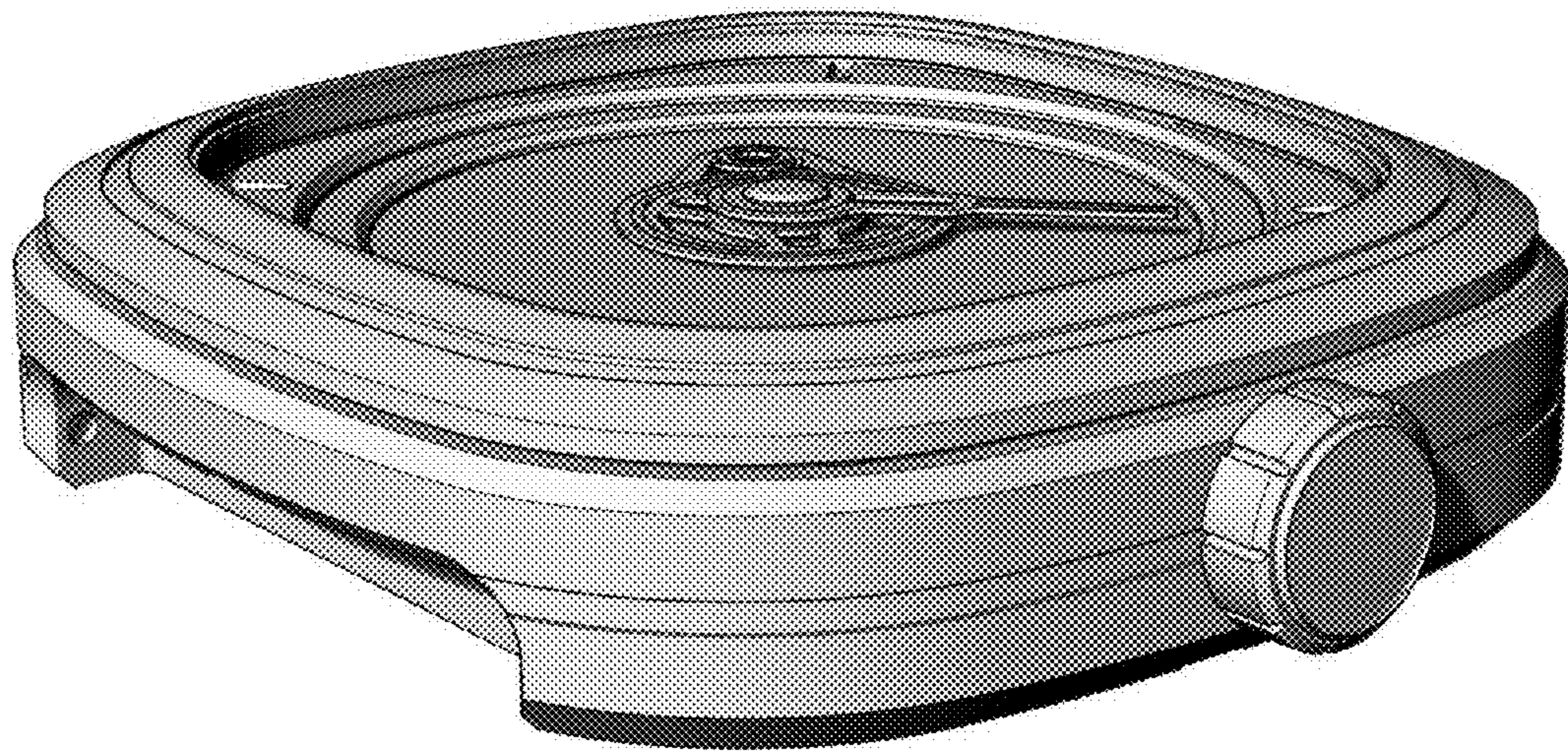
**1 Claim, 8 Drawing Sheets**



1.1



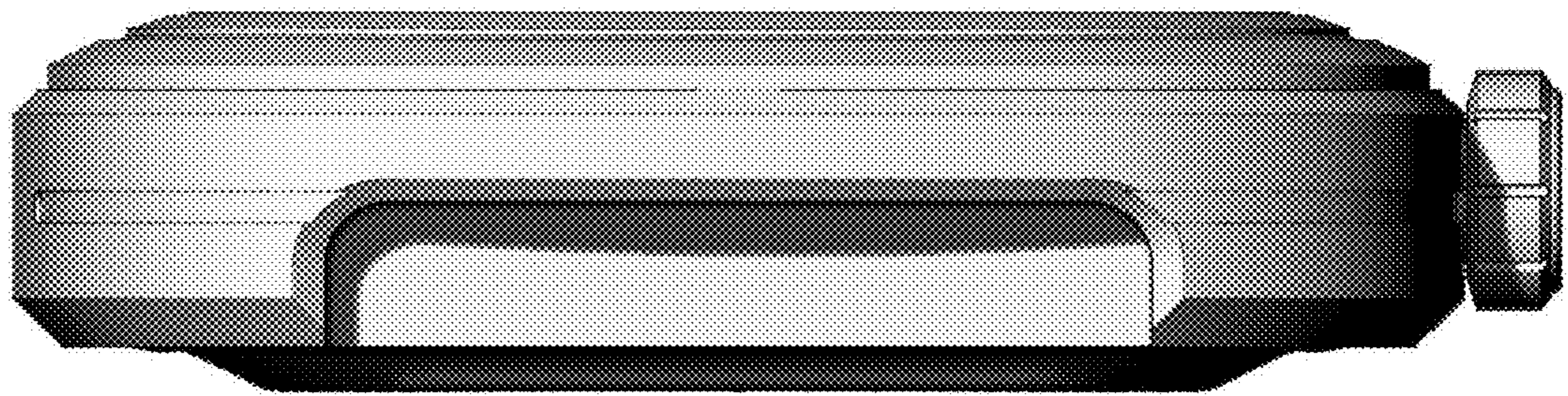
1.2



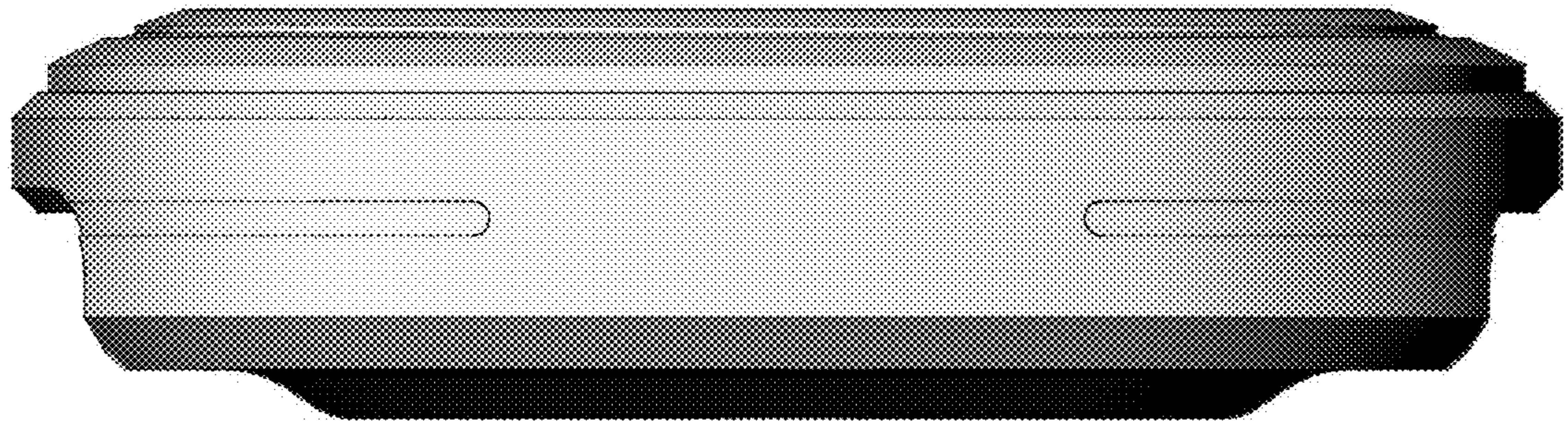
1.3



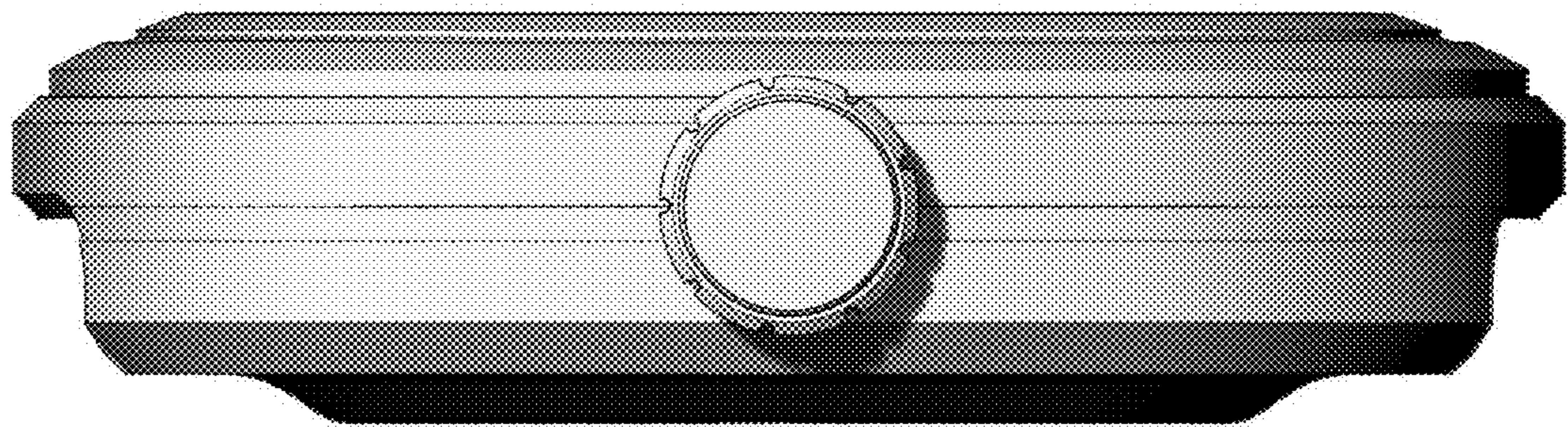
1.4



1.5



1.6



1.7





1.8

