



US00D909207S

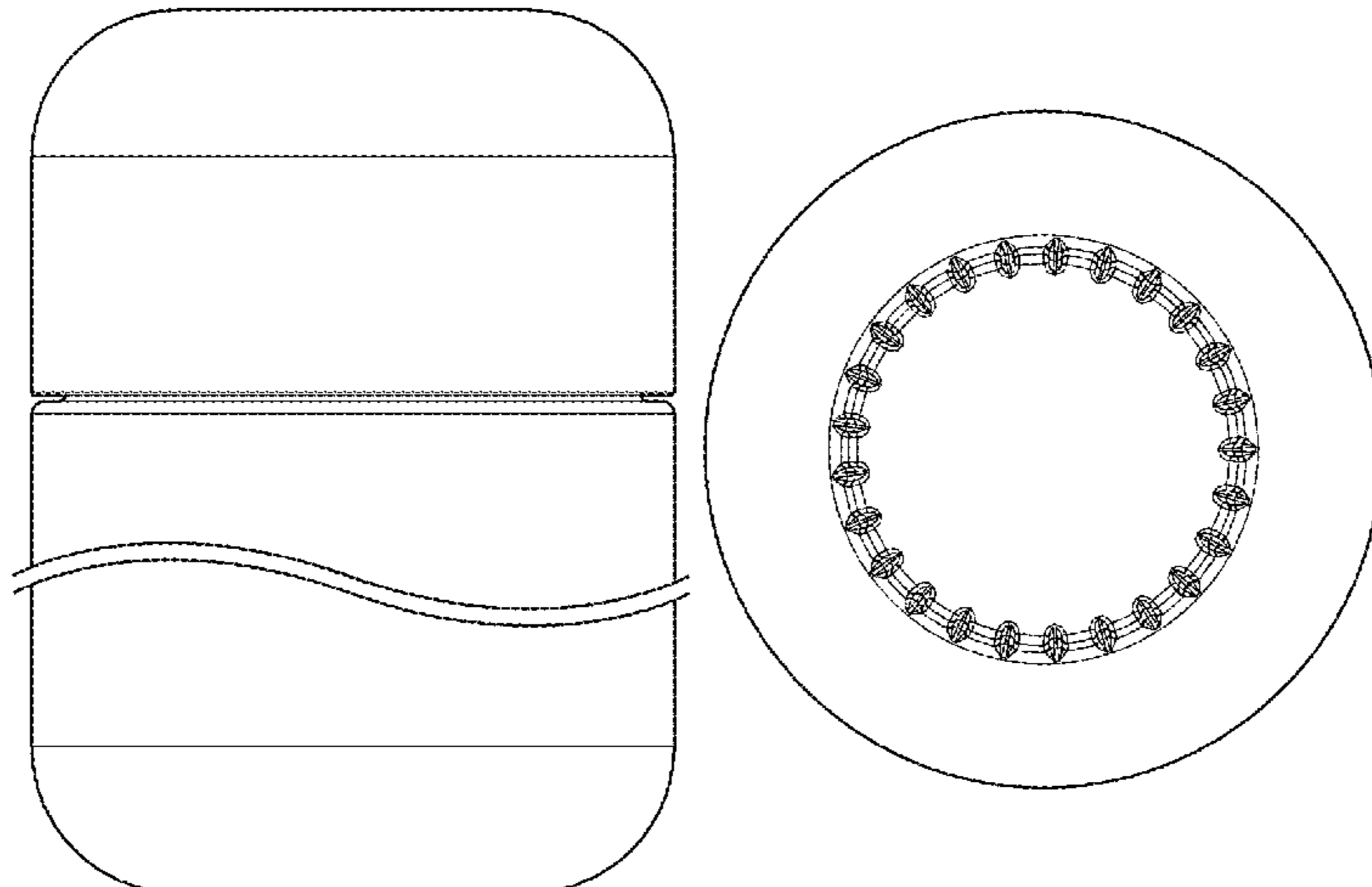
(12) **United States Design Patent** (10) **Patent No.:** **US D909,207 S**
Blomberg et al. (45) **Date of Patent:** **** Feb. 2, 2021**

- (54) **JAR WITH CAP**
- (71) Applicant: **POLLEN GEAR LLC**, Hermosa Beach, CA (US)
- (72) Inventors: **Shane Grant Blomberg**, Hermosa Beach, CA (US); **Edward Kilduff**, Hermosa Beach, CA (US)
- (73) Assignee: **POLLEN GEAR LLC**, Hermosa Beach, CA (US)
- (**) Term: **15 Years**
- (21) Appl. No.: **29/683,123**
- (22) Filed: **Mar. 11, 2019**

Related U.S. Application Data

- (63) Continuation-in-part of application No. 29/676,074, filed on Jan. 8, 2019, and a continuation-in-part of application No. 29/670,346, filed on Nov. 15, 2018, and a continuation of application No. 29/589,016, filed on Dec. 27, 2016, now Pat. No. Des. 842,700.
- (51) **LOC (13) Cl.** **09-01**
- (52) **U.S. Cl.**
USPC **D9/504; D9/454**
- (58) **Field of Classification Search**
USPC D9/414, 434-435, 444-445, 449, 454, D9/500, 503-504, 516, 520, 529, 549, D9/558, 715, 719; D3/202, 203.2, 302; D7/608, 629-630; D28/4, 8, 76, 91; D27/190
CPC B65D 1/00; B65D 1/02; B65D 1/0223; B65D 23/00; B65D 81/00; B65D 2501/00; B65D 2501/0009
See application file for complete search history.
- (56) **References Cited**

2,076,549 A	4/1937	Conner	
2,076,551 A	4/1937	Conner	
2,077,215 A	4/1937	Conner	
2,077,216 A	4/1937	Conner	
2,711,766 A	6/1955	Archer et al.	
2,770,382 A	11/1956	Ritter	
2,804,103 A	8/1957	Wall	
2,980,275 A	4/1961	Isak	
3,069,041 A *	12/1962	Pompilio Musso	A47J 41/00 220/592.16
3,311,248 A	3/1967	Marchant	
3,601,250 A	8/1971	Merila	
D237,361 S	10/1975	Picker	
D241,121 S *	8/1976	Pettengill	D9/504
D242,222 S *	11/1976	Pettengill	D9/602
D243,975 S *	4/1977	Persson	D3/300
4,020,965 A	5/1977	Northup	
4,090,631 A	5/1978	Grussen	
D249,021 S *	8/1978	Pettengill	D9/602
4,346,815 A	8/1982	Raymor et al.	
D272,722 S	2/1984	Haakenson	
D273,766 S *	5/1984	Lampe	D9/424
D274,848 S	7/1984	Chevassus	
D275,733 S	10/1984	Pardo	
D278,121 S	3/1985	Sussman	
D280,291 S *	8/1985	Copsey	D9/500
D280,975 S	10/1985	Dine	
D281,673 S	12/1985	Lampe	
D281,764 S	12/1985	Legrottaglie	
D284,252 S	6/1986	Lichtenvort	
D302,384 S	7/1989	Holewinski	
D322,753 S	12/1991	Sussman	
5,197,616 A	3/1993	Buono	
D347,359 S	5/1994	Robbins, I	
D381,259 S	7/1997	Hayes	
D382,809 S	8/1997	Aldrich et al.	
D403,589 S *	1/1999	Wong	D9/504
D403,590 S	1/1999	Wong	
D405,609 S *	2/1999	Fu	D3/302
5,894,949 A	4/1999	Taskis et al.	
D438,376 S	3/2001	Marshall	
D441,284 S	5/2001	Saur et al.	
D442,864 S	5/2001	Davies	
D445,690 S	7/2001	Ekkert	
D453,473 S	2/2002	Bianco	
D466,814 S	12/2002	Hurlburt	
D484,644 S	12/2003	Noh	
D485,017 S	1/2004	Noh	
D491,800 S *	6/2004	Palomino, Jr.	D9/504
D493,721 S	8/2004	Puigbo	
D497,778 S *	11/2004	Rich	D7/608
D506,128 S	6/2005	Foi	
D507,679 S *	7/2005	Ashiwa	D28/76



D513,385	S *	1/2006	Garcia	D9/443
6,986,807	B2	1/2006	Brunk		
D519,837	S	5/2006	Sturk et al.		
7,185,780	B2	3/2007	Nomula		
D554,367	S	11/2007	Chou et al.		
D567,094	S *	4/2008	Bickert	D9/529
7,527,159	B2	5/2009	Brozell		
D593,372	S *	6/2009	Carreno	D7/608
D612,240	S	3/2010	Cresswell et al.		
7,815,061	B1	10/2010	Robinson et al.		
D626,414	S *	11/2010	Cresswell	D9/500
D629,689	S *	12/2010	Cresswell	D9/500
D629,691	S *	12/2010	Cresswell	D9/500
D633,794	S *	3/2011	Cresswell	D9/500
D633,795	S *	3/2011	Cresswell	D9/500
D633,796	S *	3/2011	Cresswell	D9/500
D633,797	S *	3/2011	Cresswell	D9/500
D659,539	S	5/2012	Bakic		
8,205,761	B2	6/2012	Stull et al.		
D666,061	S *	8/2012	Ying	D7/629
D679,990	S *	4/2013	O'Brien	D9/428
D683,221	S *	5/2013	Graham	D9/504
D691,888	S *	10/2013	Mettler	D9/454
D691,889	S *	10/2013	Mettler	D9/454
8,672,158	B2	3/2014	Taber et al.		
8,863,947	B2	10/2014	Sibley		
D721,270	S	1/2015	Dittmer et al.		
9,045,265	B2	6/2015	Adamczak		
D736,087	S *	8/2015	Birgers	D9/418
9,151,531	B2	10/2015	Wengreen et al.		
D750,885	S	3/2016	Chazel et al.		
D765,512	S *	9/2016	Joulia	D28/7
D769,719	S *	10/2016	Lebon	D9/500
9,629,437	B2 *	4/2017	Shen	A45D 33/00
D787,895	S *	5/2017	Kilduff	D7/629
D797,559	S *	9/2017	Lerman	D9/500
D804,807	S *	12/2017	Wengreen	D3/203.1
D809,868	S *	2/2018	Eyal	D7/523
D818,648	S *	5/2018	Cleij	D28/85
D836,982	S *	1/2019	Diener	D7/509
D841,381	S *	2/2019	Karsten	D7/300.1
D842,700	S *	3/2019	Blomberg	D9/500
D844,433	S *	4/2019	Hall	D9/500
D871,844	S *	1/2020	Adams, Jr.	D7/510
D886,635	S *	6/2020	Kilduff	D9/726
2005/0074528	A1	4/2005	Servaux et al.		
2008/0308518	A1	12/2008	Sprishen		
2008/0314900	A1	12/2008	Biesecker et al.		
2009/0212004	A1	8/2009	Metzger et al.		
2011/0147334	A1	6/2011	Metu et al.		
2013/0105476	A1	5/2013	Hammer et al.		
2014/0311940	A1	10/2014	Braveman		
2014/0343493	A1	11/2014	Wengreen		
2015/0076103	A1	3/2015	Koller et al.		
2015/0122767	A1	5/2015	Metu et al.		
2015/0122769	A1	5/2015	Taber et al.		
2015/0298866	A1	10/2015	Hagen		
2016/0030285	A1	2/2016	Miceli et al.		
2016/0107796	A1	4/2016	Sibley		
2016/0295993	A1	10/2016	Wojcik et al.		
2018/0271251	A1	9/2018	Yeo		
2019/0241322	A1 *	8/2019	Blomberg	B65D 50/06
2020/0156826	A1 *	5/2020	Kilduff	B65D 43/162

FOREIGN PATENT DOCUMENTS

CN	3039760	1/1996
CN	3216306	1/2002
CN	3346458	1/2004
CN	3368364	5/2004
CN	3499121	1/2006
CN	3510821	3/2006
CN	300855076	S 12/2008
CN	301180021	S 4/2010
CN	301490884	S 3/2011
CN	301677544	S 9/2011
CN	301921442	S 5/2012
CN	302200652	S 11/2012
CN	302338869	S 3/2013

CN	302516445	S	7/2013
CN	302540997	S	8/2013
CN	302627739	S	11/2013
CN	302965548	S	10/2014
CN	303030375	S	12/2014
CN	303177285	S	4/2015
CN	303214397	S	5/2015
CN	303265357	S	7/2015
CN	303407633	S	10/2015
CN	303595730	S	2/2016
CN	303603019	S	3/2016
CN	303726533	S	6/2016
CN	2018304200716		1/2019
CN	2018303089815		2/2019
CN	2018303989908		3/2019
CN	2018304467676		3/2019
EP	0059120030004		2/2019
FR	2720376	A1	12/1995
JP	2001158455	A	6/2001
JP	D1188534		10/2003
JP	D1294824		2/2007
JP	D1392548		7/2010
JP	D1550735		5/2016
KR	300247819		11/1999
KR	300365162		10/2004
KR	300598093		5/2011
SI	9650055		10/1996
TR	200501421		7/2005

OTHER PUBLICATIONS

“7ml clear glass low-profile jar with 38-400 neck finish”, Container & packaging Supply, retrieved Aug. 2017.
 “Frosted Glass Low Profile Jar—7ml”, Saffire Blue inc., retrieved Aug. 2017.
 “Glass Jar: EL-32315”, Products, McKernan Packaging Clearing House, retrieved Aug. 2017, 4 pages.
 “McKernan Adds Low Profile, Frosted Glass Jars”, Beauty Packaging, published Jun. 2012, 7 pages.
 Alameda Packaging, Child Resistant Plastic Caps; https://www.alamedapackaging.com/Catalog/Caps/Plastic_Caps/NonDispensing_Caps/181/Child_Resistant_Plastic_Caps.html; Oct. 3, 2014.
 DHgate.com, Clear color 5ml glass jar tempered glass storage jars dab wax jar container oil concentrate & cosmetic cream container, <http://www.dhgate.com/product/clear-color-5ml-glass-jar-tempered-glass/238531495.html>; Apr. 29, 2016.
 Holistic Packaging Company <http://holisticpackaging.com/>, Apr. 29, 2016.
 SKS Science, White Child Resistant PE Lined “Push Down” Caps, <https://www.sks-science.com/closures-p-2756.html>; Aug. 10, 2005.

* cited by examiner

Primary Examiner — Dana Meyrow
 (74) Attorney, Agent, or Firm — RMCK Law Group PLC

(57) CLAIM

The ornamental design for jar with cap, as shown and described.

DESCRIPTION

FIG. 1 is a bottom perspective view of a jar with a cap in accordance with the present teachings.
 FIG. 2 is a top perspective view of the jar with the cap of FIG. 1.
 FIG. 3 is a front view of the jar with the cap of FIG. 1.
 FIG. 4 is a back view of the jar with the cap of FIG. 1.
 FIG. 5 is a first side view of the jar with the cap of FIG. 1.
 FIG. 6 is a second side view of the jar with the cap of FIG. 1.
 FIG. 7 is a top view of the jar with the cap of FIG. 1; and,

FIG. 8 is a bottom view of the jar with the cap of FIG. 1.
Any portion of the jar with cap between the break in the
sidewall forms no part of the claimed design.

1 Claim, 4 Drawing Sheets

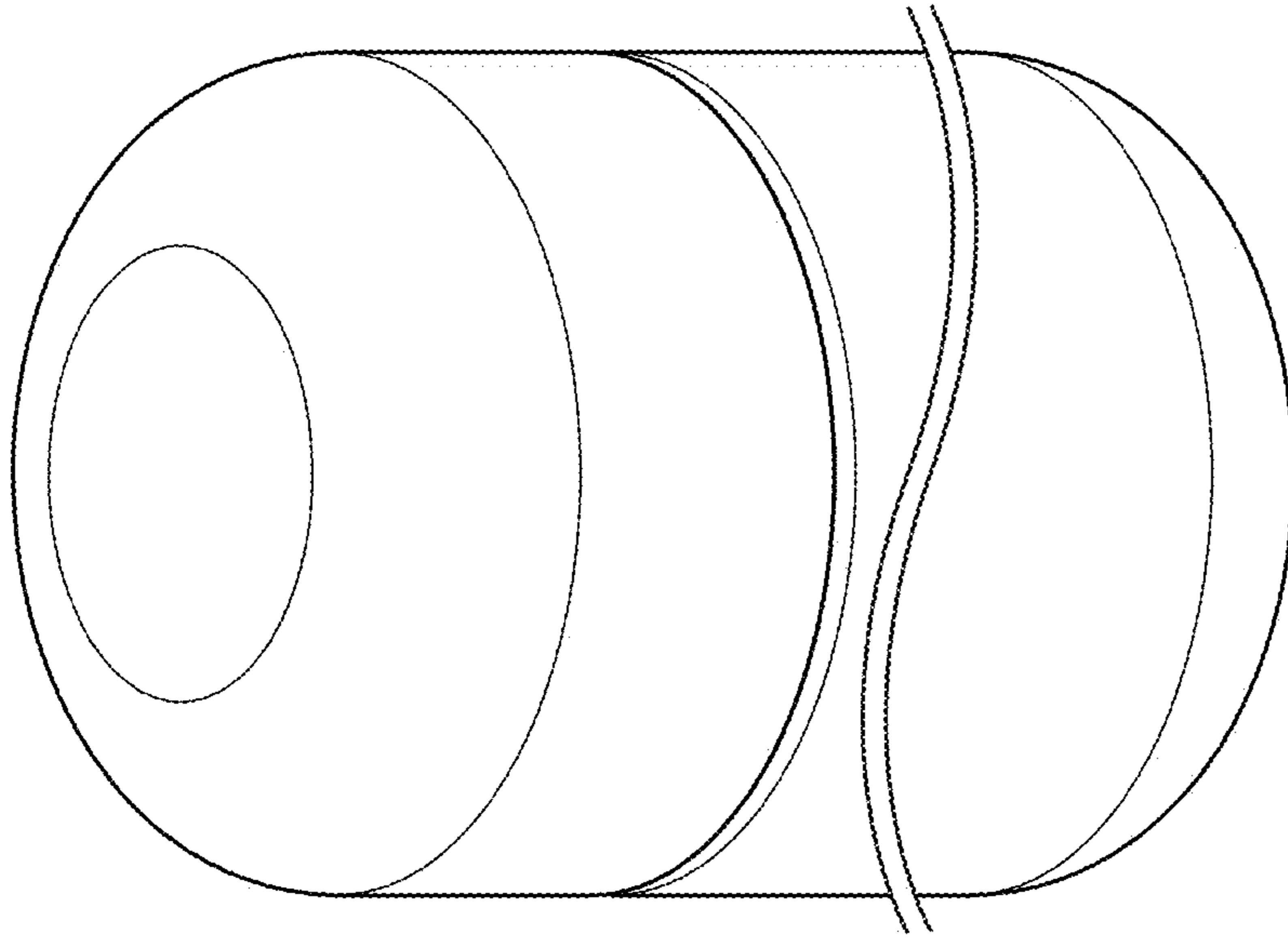


FIG. 2

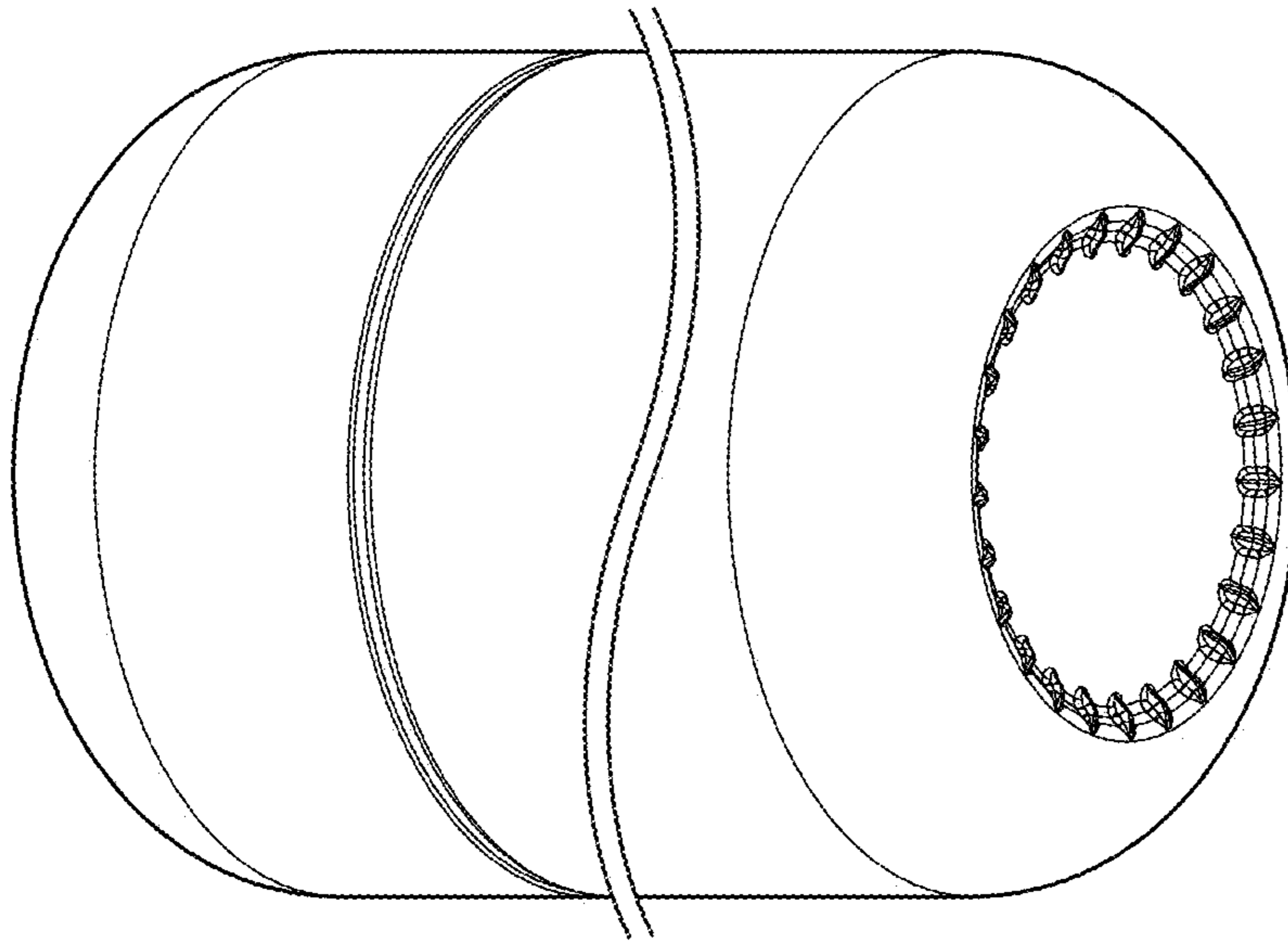


FIG. 1

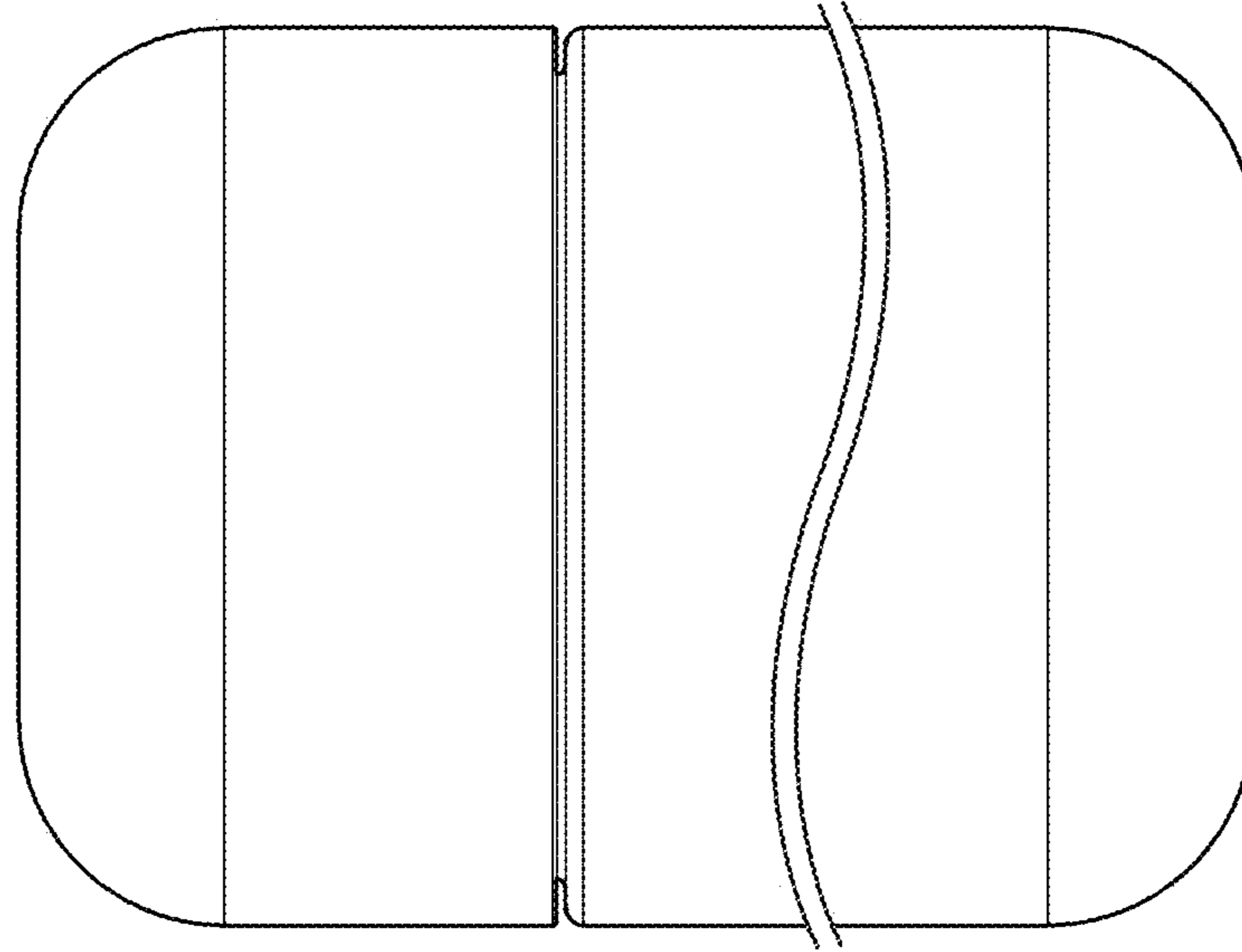


FIG. 3

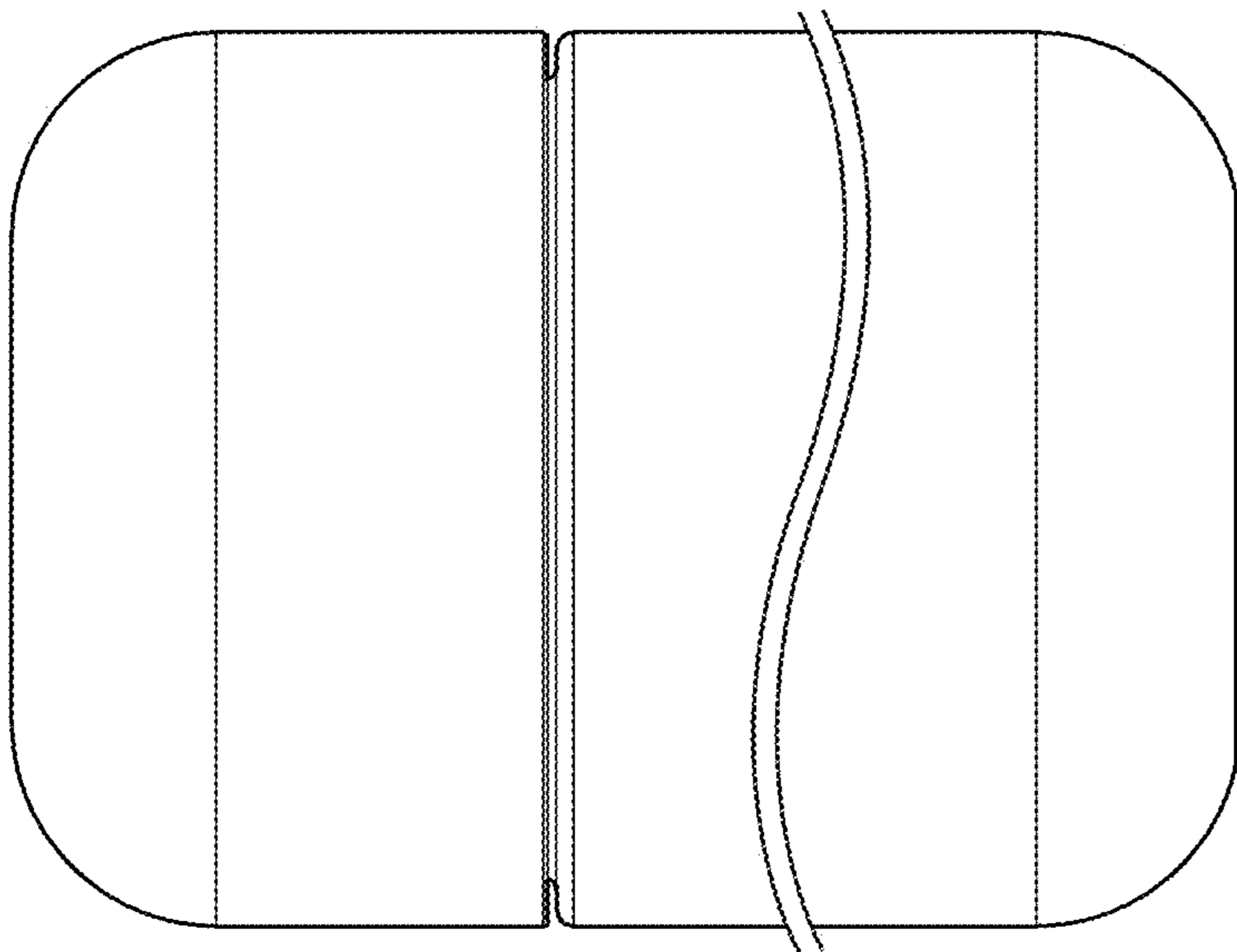


FIG. 4

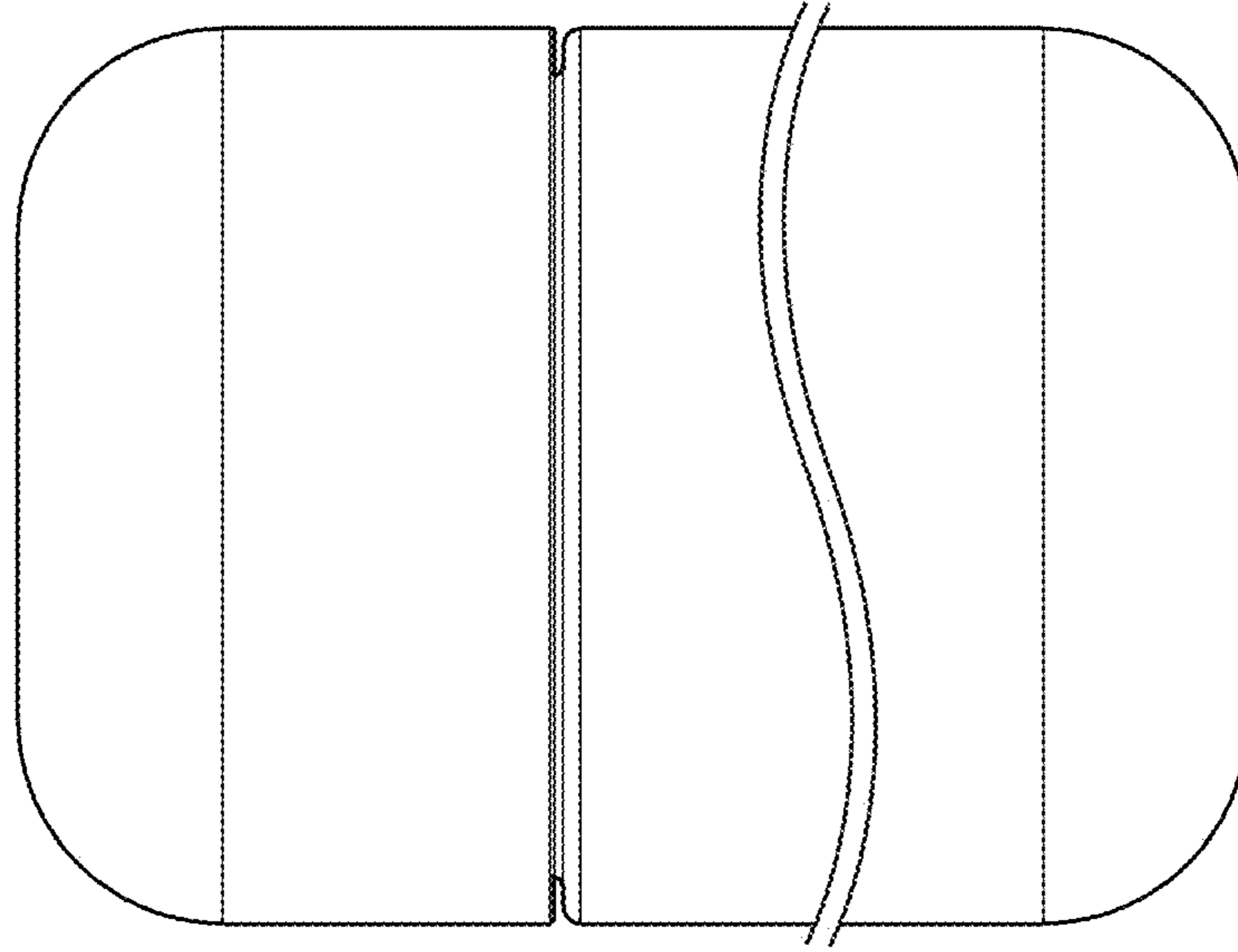


FIG. 5

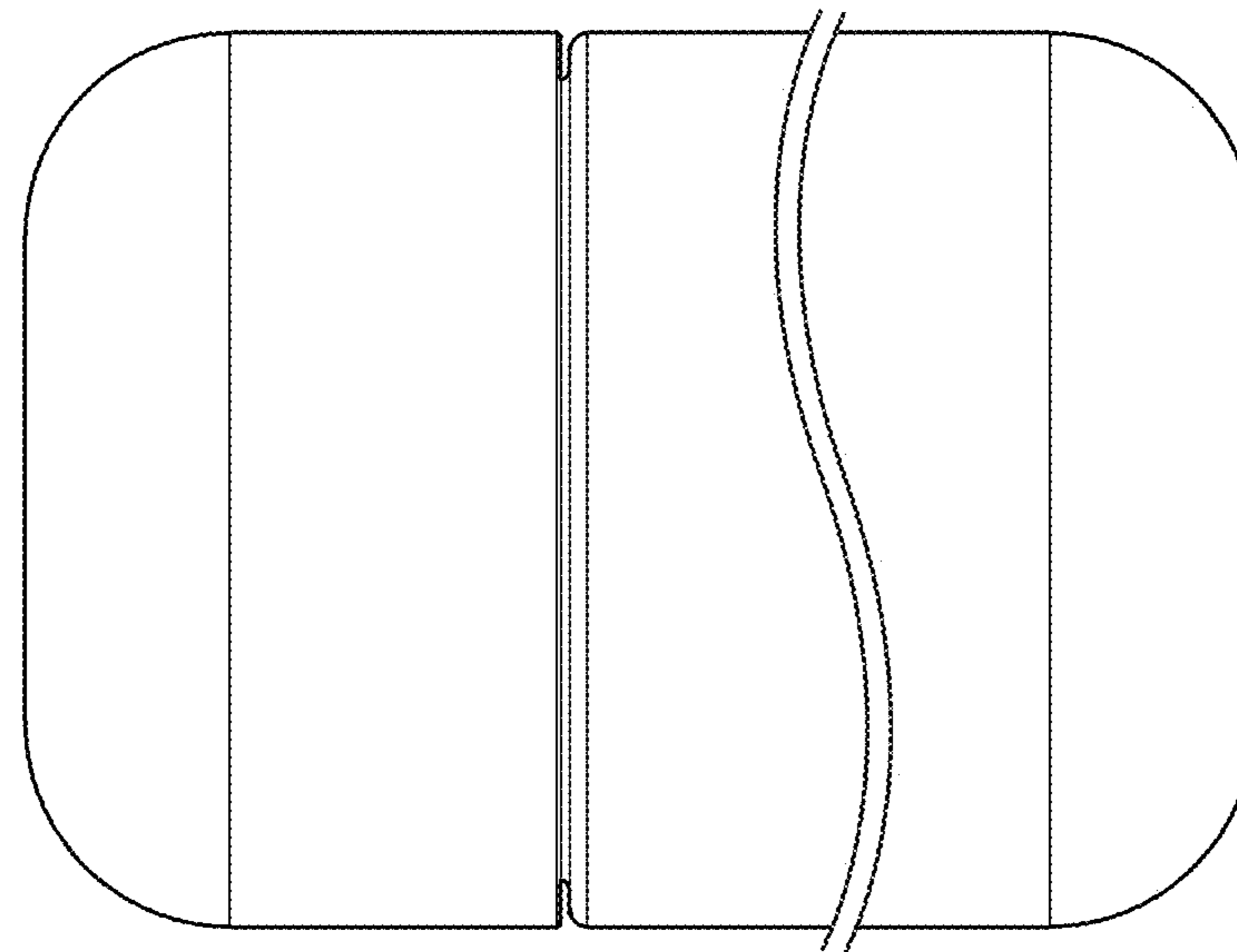


FIG. 6

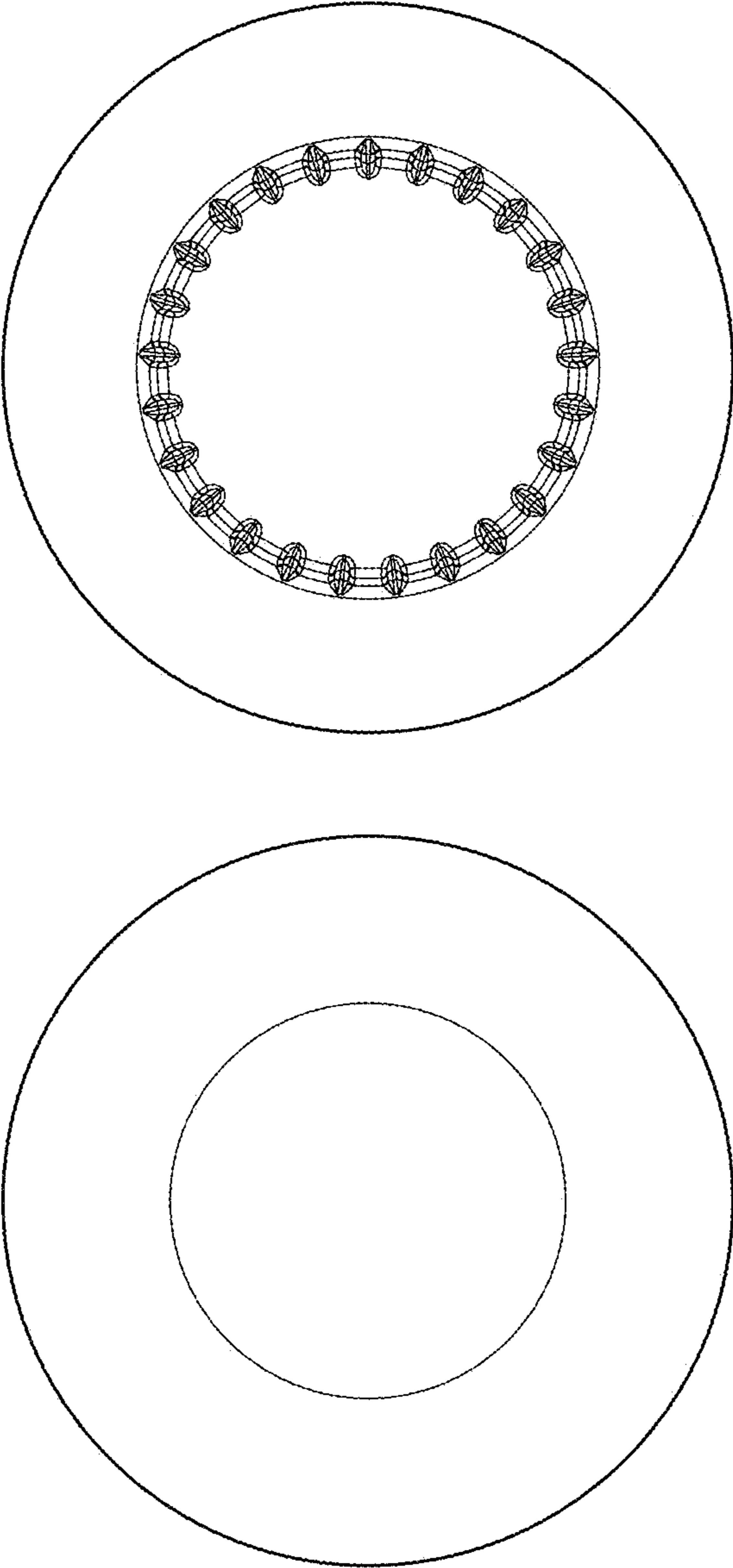


FIG. 7

FIG. 8