



US00D909204S

(12) **United States Design Patent** (10) **Patent No.:** **US D909,204 S**
Tempfli (45) **Date of Patent:** **** Feb. 2, 2021**

(54) **SPRAYING DEVICE FOR BOTTLES**

(56) **References Cited**

(71) Applicant: **Karl Tempfli**, Gottmadingen (DE)

U.S. PATENT DOCUMENTS

(72) Inventor: **Karl Tempfli**, Gottmadingen (DE)

D32,085 S * 1/1900 Estes D9/439
D172,777 S * 8/1954 Bernabo D9/447
D204,352 S * 4/1966 Eizenberg D24/130
D242,327 S * 11/1976 Schneider D9/447
4,801,049 A * 1/1989 Thompson B05B 11/0027
222/179.5

(73) Assignee: **Aptar Radolfzell GmbH**, Radolfzell (DE)

D299,865 S * 2/1989 Kamstrup-Larsen D24/130
D302,296 S * 7/1989 Harmony D24/130
D309,156 S * 7/1990 Kuwabara D19/115
D318,233 S * 7/1991 Ackerman D9/434

(**) Term: **15 Years**

(Continued)

(21) Appl. No.: **29/675,097**

(22) Filed: **Dec. 28, 2018**

FOREIGN PATENT DOCUMENTS

(30) **Foreign Application Priority Data**

DE 102009006428 A1 * 8/2010 B65D 47/2068

Jun. 29, 2018 (EM) 005331204

(51) **LOC (13) Cl.** **09-07**

OTHER PUBLICATIONS

(52) **U.S. Cl.**
USPC **D9/448**

U.S. Appl. No. 29/675,084, filed Dec. 28, 2018.

(Continued)

(58) **Field of Classification Search**

USPC D9/434, 435, 436, 439, 440, 447, 448,
D9/453, 723, 724, 727, 726, 695, 696,
D9/707, 708, 712; D7/387, 391, 392,
D7/392.1, 396.1, 396.2, 397, 398, 401.1,
D7/415; D4/114, 115; D26/9, 10, 22,
D26/23; D24/111, 112, 119, 127, 130,
D24/141, 169, 193, 194, 196, 197, 199,
D24/222, 224; D19/115, 192, 194;
D23/213, 226, 249, 255; D27/194
CPC B65D 47/103; B65D 43/0222; B65D
2543/00046; B65D 2543/00092; B65D
25/48; A47G 19/2272; B65B 1/04; B65B
29/06; B05B 11/3059; B05B 11/0027;
B05B 11/0032; B05B 11/3004; B05B
11/3015; B05B 11/306; B05B 11/3064;
G03B 11/041; F16M 11/08; A61J 1/06;
A61J 1/065; A61J 1/2093; A61J 1/201
See application file for complete search history.

Primary Examiner — Catherine S Posthauer
(74) *Attorney, Agent, or Firm* — Flynn Thiel, P.C.

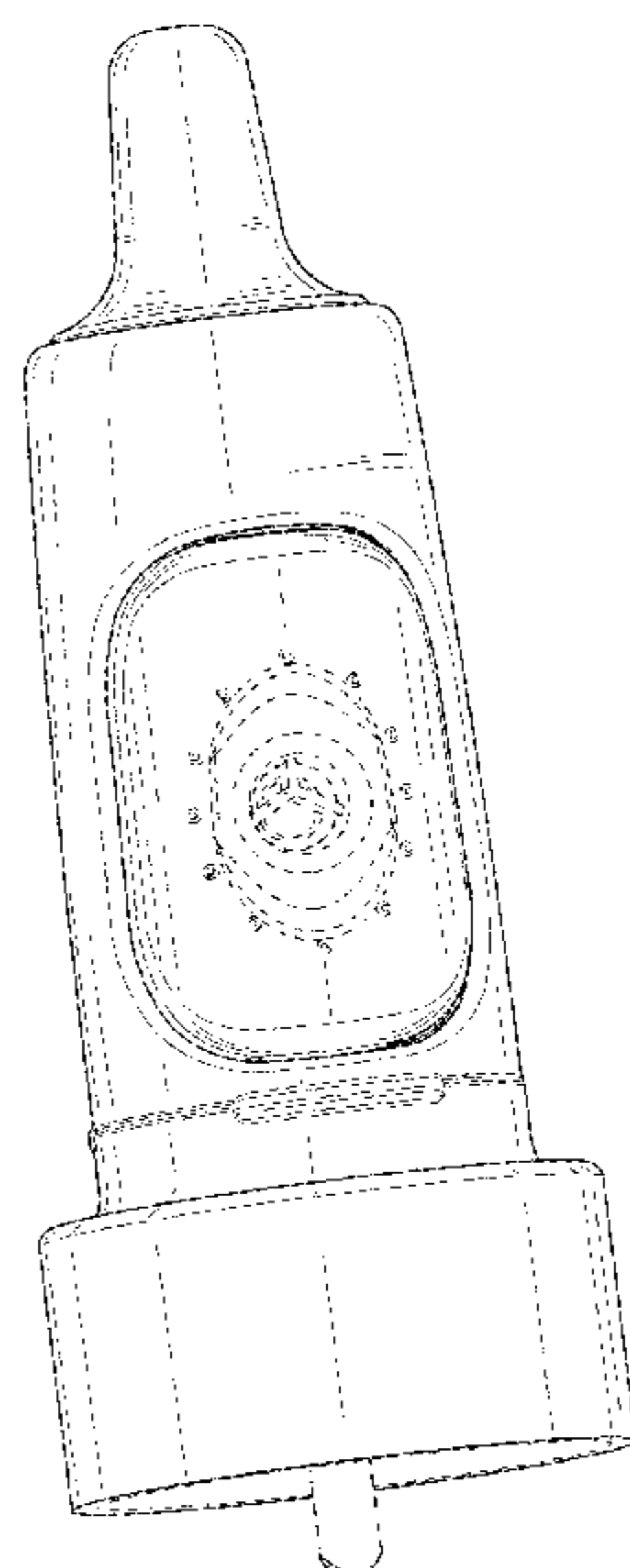
(57) **CLAIM**

The ornamental design for a spraying device for bottles, as shown and described.

DESCRIPTION

FIG. 1 is a perspective view of a spraying device for bottles showing my new design;
FIG. 2 is a front view thereof;
FIG. 3 is a right side view thereof;
FIG. 4 is a rear view thereof;
FIG. 5 is a left side view thereof;
FIG. 6 is a top view thereof; and,
FIG. 7 is a bottom view thereof.
The broken lines are shown for the purpose of illustrating parts of the article that form no part of the claimed design.

1 Claim, 6 Drawing Sheets



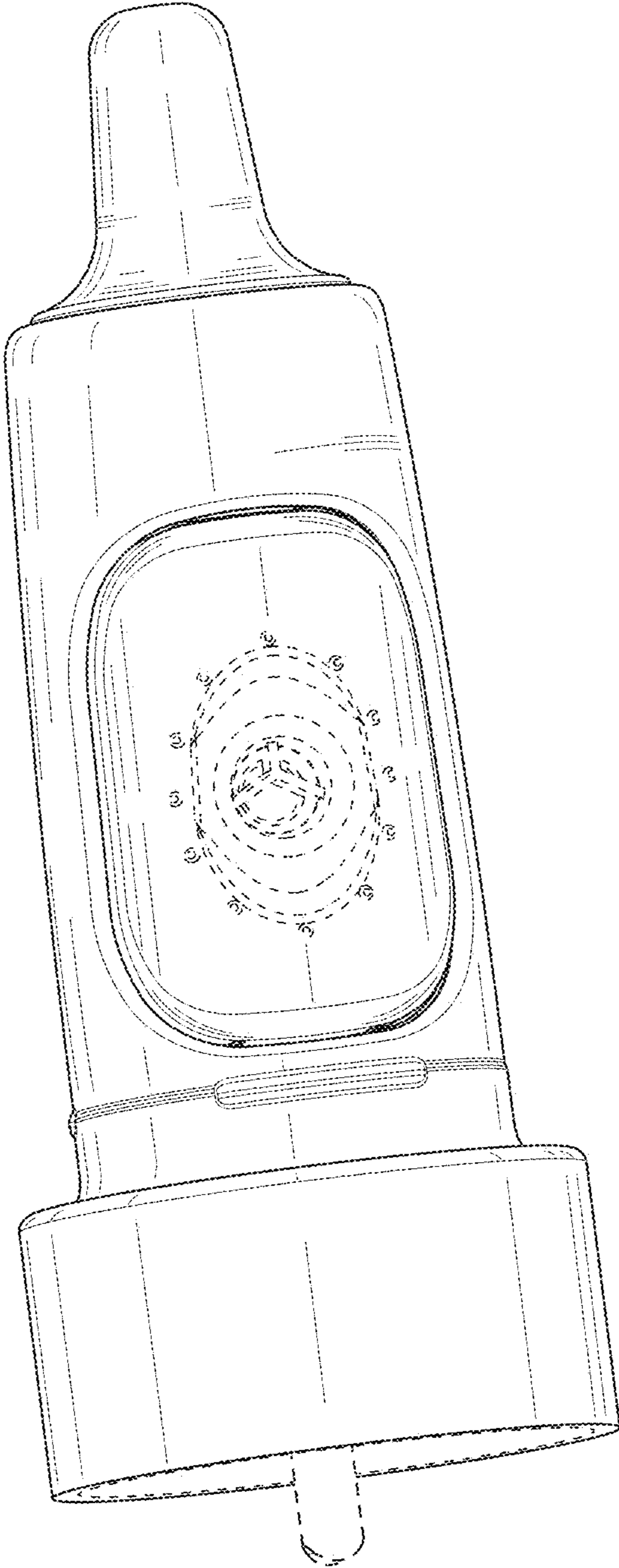


FIG. 1

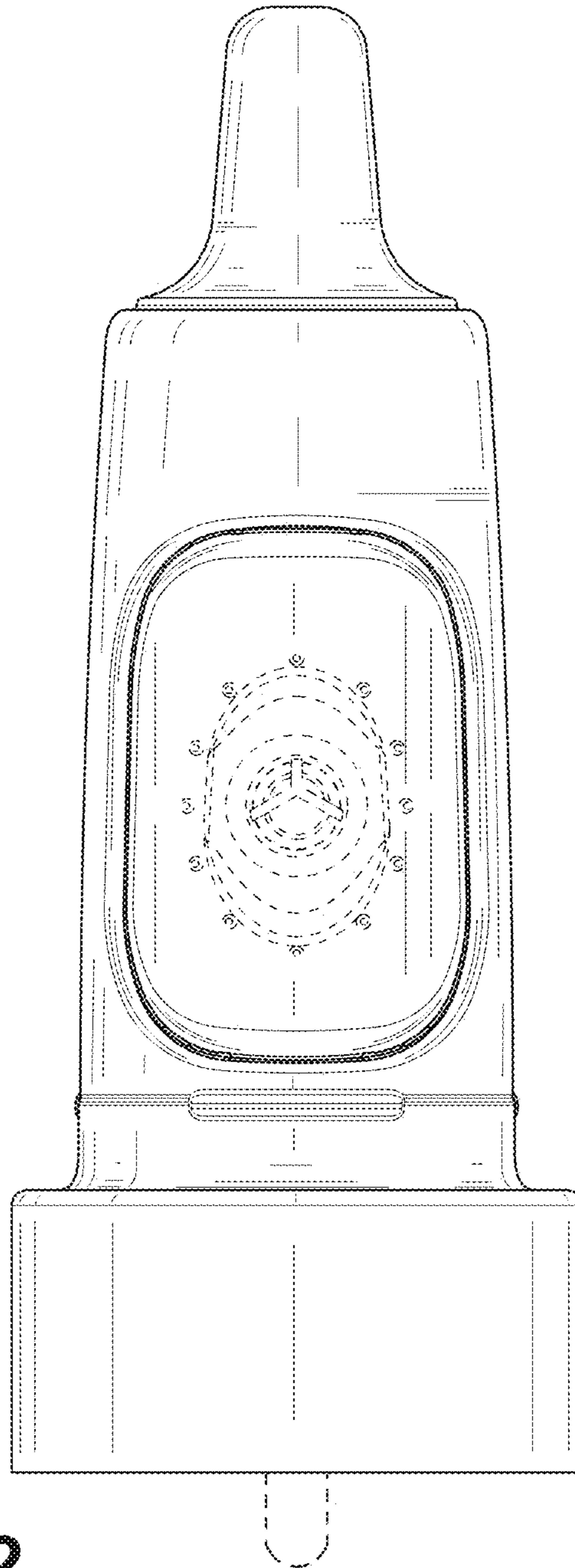


FIG. 2

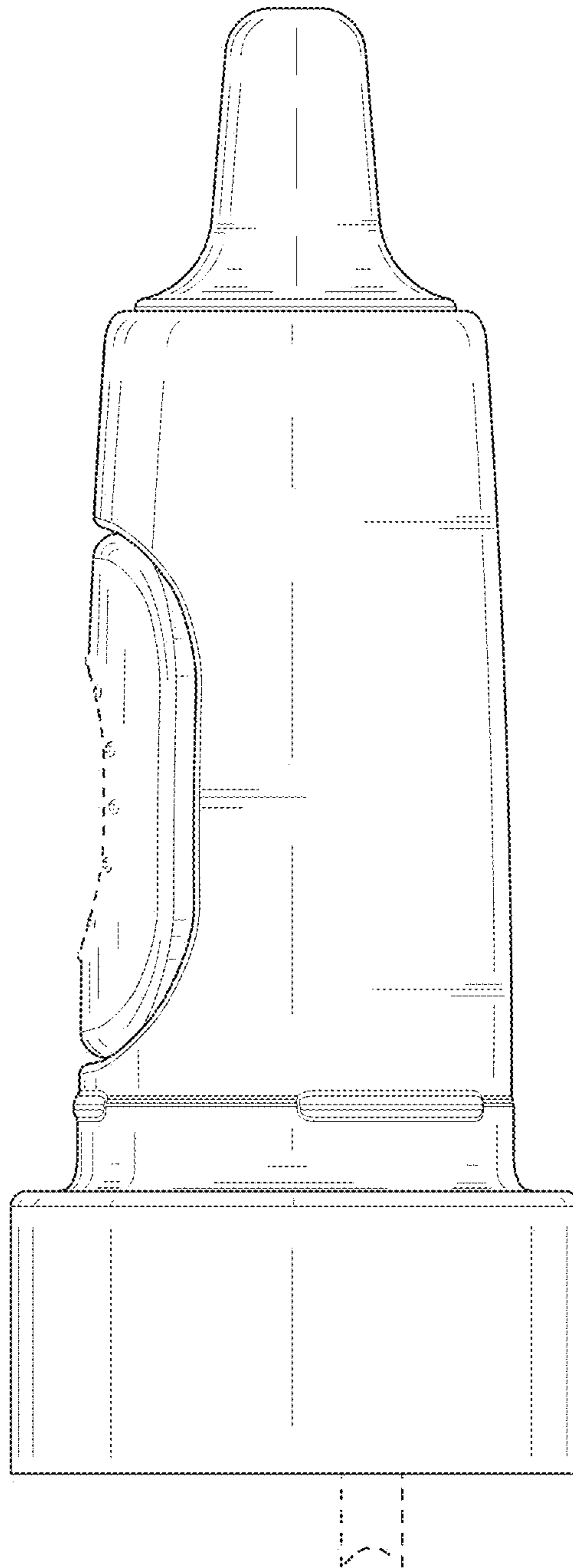


FIG. 3

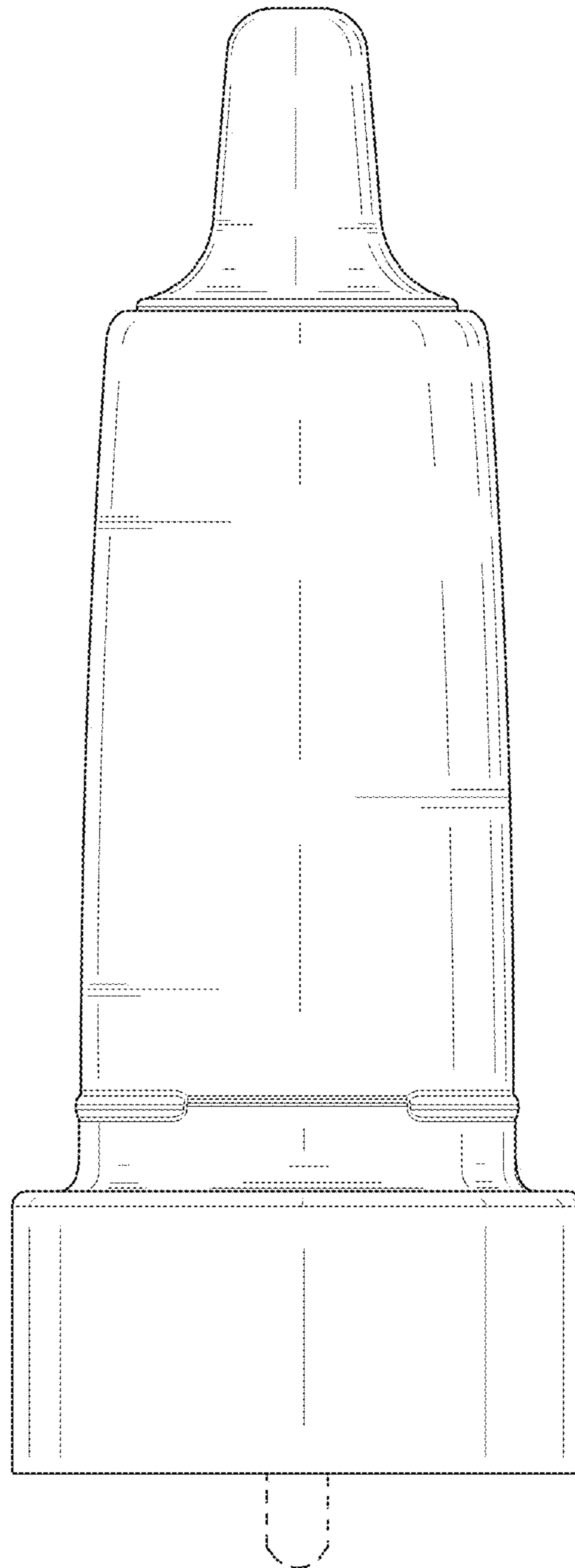


FIG. 4

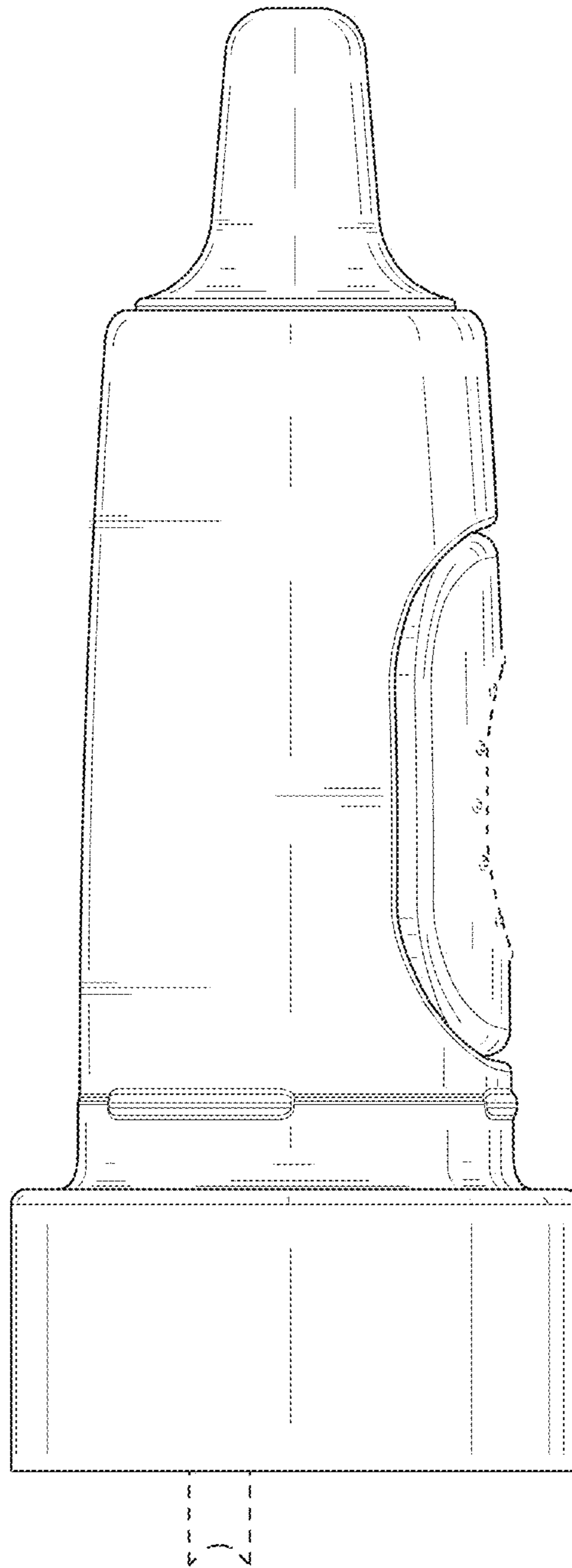


FIG. 5

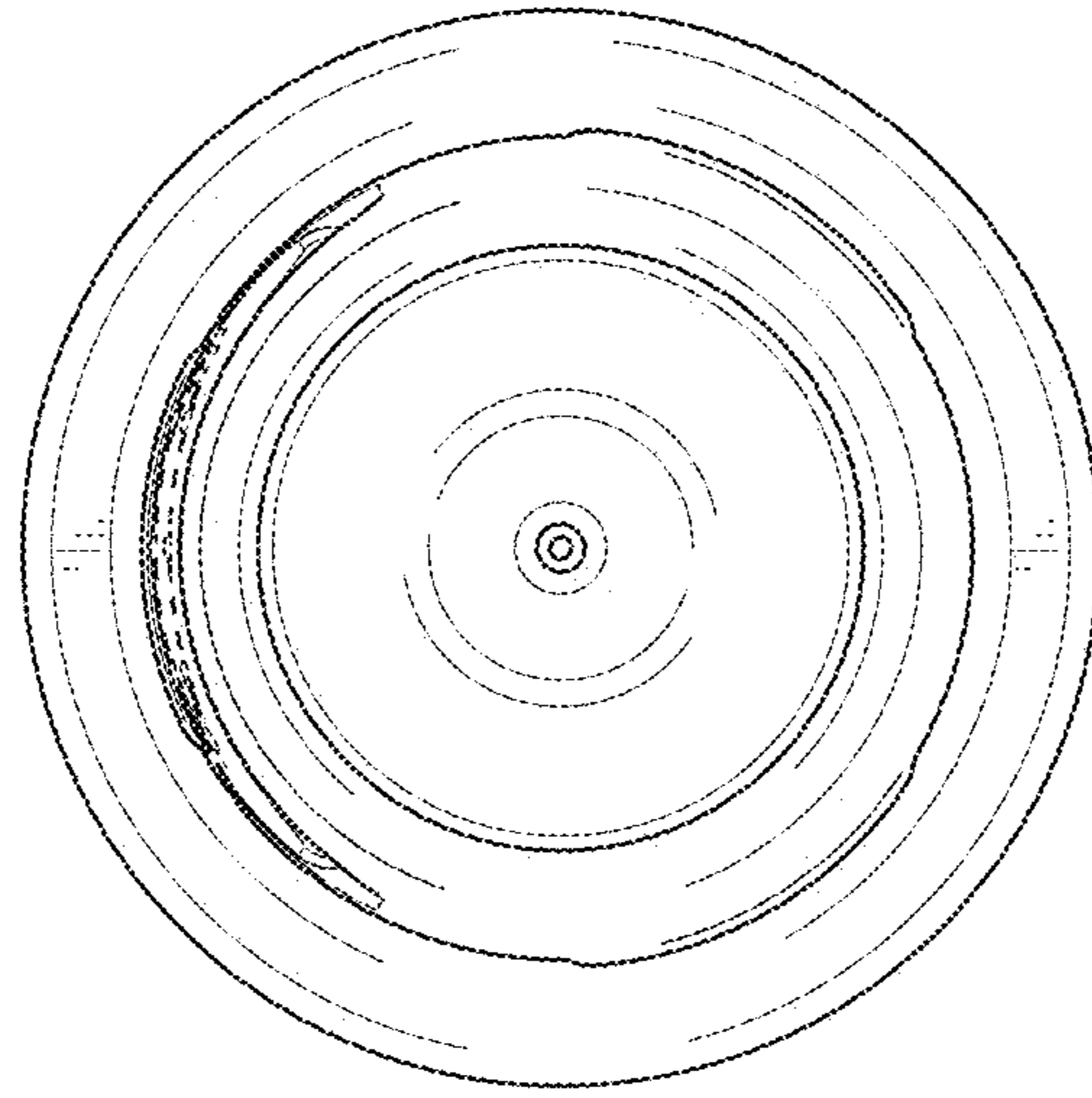


FIG. 6

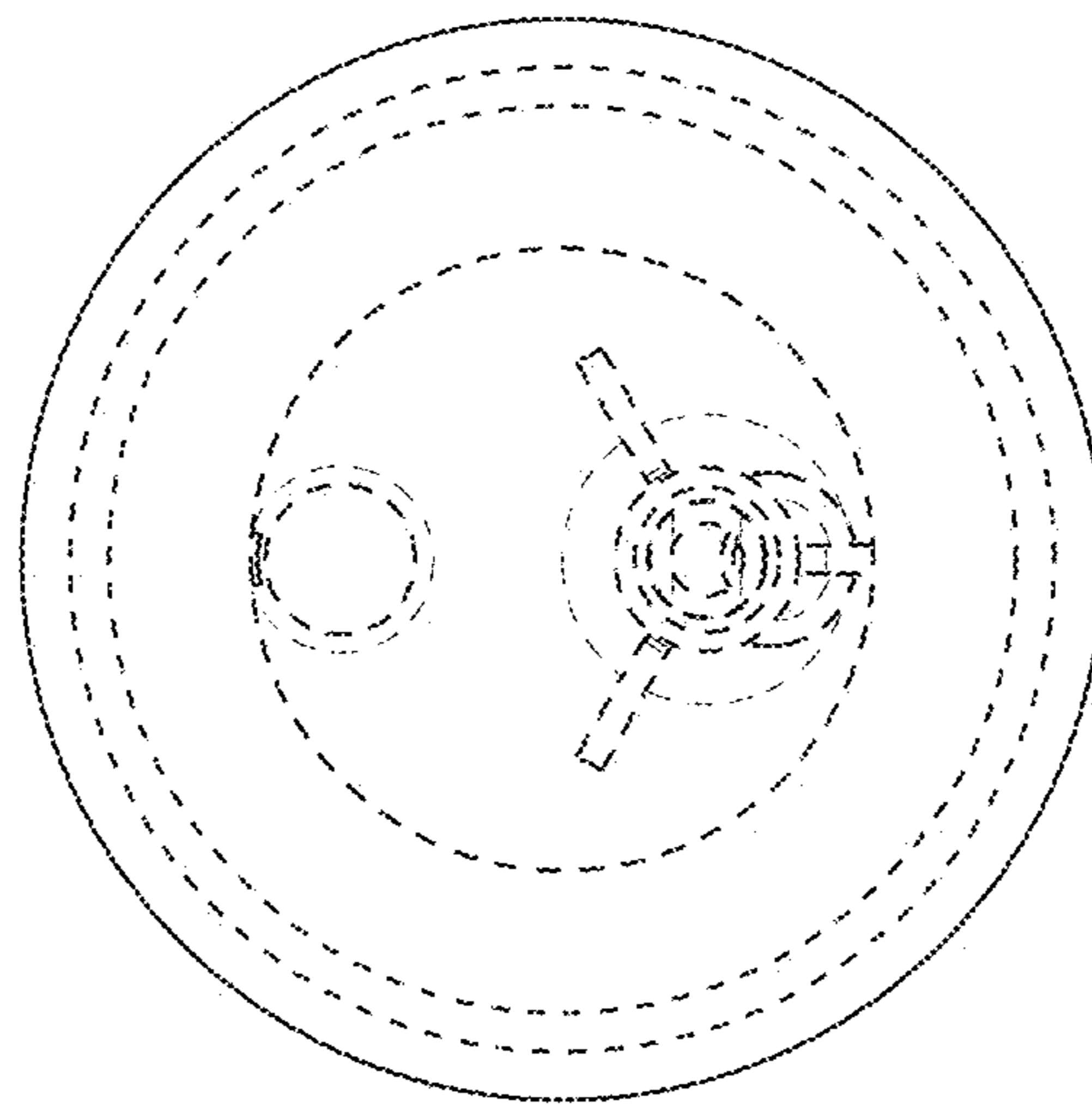


FIG. 7