



US00D909203S

(12) **United States Design Patent** (10) **Patent No.:** **US D909,203 S**
Palazzolo (45) **Date of Patent:** **** Feb. 2, 2021**

(54) **LID**
(71) Applicant: **Gregg Palazzolo**, Ada, MI (US)
(72) Inventor: **Gregg Palazzolo**, Ada, MI (US)
(**) Term: **15 Years**
(21) Appl. No.: **29/701,549**
(22) Filed: **Aug. 13, 2019**
(51) **LOC (13) Cl.** **09-07**
(52) **U.S. Cl.**
USPC **D9/436; D9/454**
(58) **Field of Classification Search**
USPC D3/202; D6/542, 550; D7/509-511,
D7/550.1, 601, 619.1, 624.1, 635, 354,
D7/387, 391, 392, 392.1, 396.1, 396.2,
D7/396.6, 612; D9/716, 719, 529, 434,
D9/435, 436, 438, 439, 440, 445, 447,
D9/448, 452, 454, 455, 763, 772, 503,
D9/516, 549, 417, 683; D23/206, 208,
D23/209, 210, 249, 259, 260, 261, 303;
D28/91.1
CPC .. B65D 43/0212; B65D 43/0218; B65D 1/36;
B65D 51/28; B65D 51/24; B65D
2543/00046; B65D 2543/00027; B65D
2543/00092; B65D 2543/00296; B65D
2543/00351; B65D 2543/00537; B65D
2543/00731; B65D 47/2018; B65D 47/06;
A47G 19/00; A47G 19/02; A47G 21/00;
A47G 21/06
See application file for complete search history.

5,385,255 A 1/1995 Varano et al.
5,722,558 A * 3/1998 Thompson B65D 51/28
206/217
D397,911 S 9/1998 Waldmann
6,202,542 B1 3/2001 Melton
D456,212 S 4/2002 Bridges
6,427,864 B1 * 8/2002 Asselin B65D 21/0224
206/217
6,528,105 B1 3/2003 Gerhart et al.
D474,068 S * 5/2003 Fujii D7/392.1
6,578,726 B1 6/2003 Schaefer
(Continued)

OTHER PUBLICATIONS

Yanko Design Dipping Cover: Announced Jul. 16, 2012 [online].
Site Visited [Aug. 31, 2020]. Available from Internet URL: <https://www.yankodesign.com/2012/07/16/ketchup-on-the-top/>.
(Continued)

Primary Examiner — Catherine S Posthauer
(74) *Attorney, Agent, or Firm* — King & Partners, PLC

(57) **CLAIM**

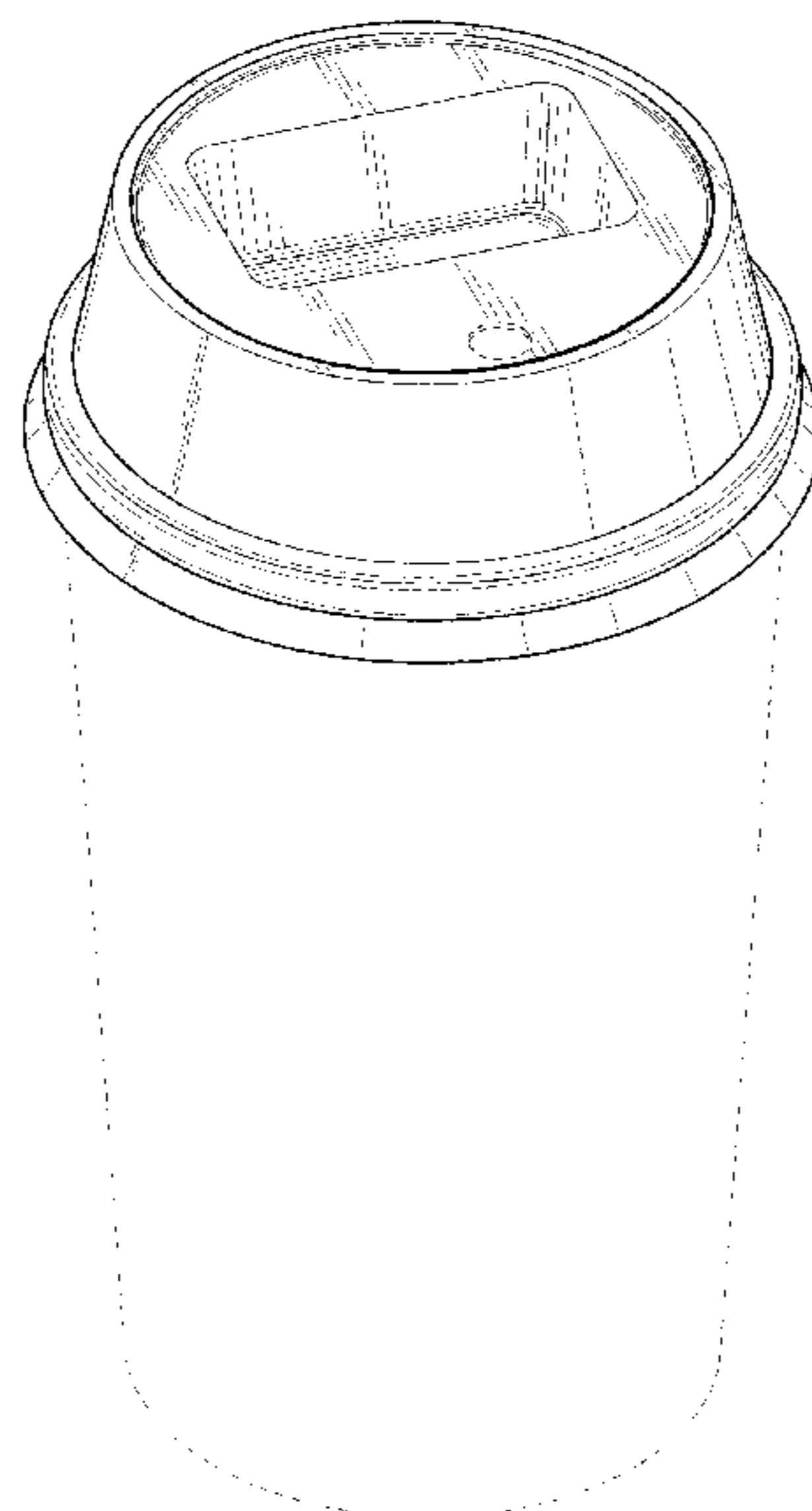
The ornamental design for a lid, as shown and described.

DESCRIPTION

FIG. 1 is a front perspective view of a lid, showing my new design, shown in an environment of use with an exemplary beverage container thereof;
FIG. 2 is a side view thereof, shown with the exemplary beverage container removed to show aspects of the design not visible when combined;
FIG. 3 is a top plan view thereof; and,
FIG. 4 is a cross-sectional view of the lid, taken in the direction of line 4-4 on FIG. 3.
The broken lines are shown for the purpose of illustrating parts of the article as well as environmental subject matter of an exemplary beverage container. None of the broken lines form part of the claimed design.

1 Claim, 3 Drawing Sheets

(56) **References Cited**
U.S. PATENT DOCUMENTS
3,288,344 A 11/1966 Woollen et al.
4,057,167 A 11/1977 Lee
D255,530 S * 6/1980 Daenen D10/46.3
4,938,379 A 7/1990 Kellner
5,253,781 A 10/1993 Van Melle et al.



(56)

References Cited

U.S. PATENT DOCUMENTS

D483,165 S 12/2003 Dretzka
 D489,254 S 5/2004 Kocis et al.
 6,824,003 B1 11/2004 Wong
 6,874,649 B2 4/2005 Clarke et al.
 7,017,775 B2 3/2006 Zettle et al.
 D525,826 S * 8/2006 Kugler D7/392.1
 7,131,551 B2 11/2006 Smith
 D536,923 S * 2/2007 Roth D7/392.1
 7,195,130 B2 3/2007 Pendergrass et al.
 7,246,715 B2 7/2007 Smith et al.
 D619,000 S * 7/2010 Scheve D9/436
 7,789,260 B2 9/2010 Hollis et al.
 7,850,037 B2 12/2010 Schmidtner et al.
 D634,192 S * 3/2011 Mueller D9/436
 D642,915 S * 8/2011 Swingle D9/440
 D661,186 S * 6/2012 Snyder D9/436
 D713,248 S * 9/2014 Kotyuk D9/454
 8,870,010 B2 * 10/2014 Buck A47G 19/2205
 220/23.83
 9,038,845 B1 * 5/2015 Buck A47G 19/2272
 220/521
 D731,313 S * 6/2015 Kotyuk D9/454
 D731,889 S * 6/2015 Kotyuk D9/454
 D758,187 S * 6/2016 Kotyuk D9/436
 D773,883 S 12/2016 Elias

D788,583 S 6/2017 Tu
 D807,746 S 1/2018 Fleming
 D812,969 S * 3/2018 Premkumar D7/396.2
 9,908,667 B1 * 3/2018 Smith B65D 51/18
 D817,703 S 5/2018 Guthrie et al.
 D824,212 S 7/2018 Seiders et al.
 D831,483 S 10/2018 Tseng et al.
 D832,057 S * 10/2018 Namyst, III D7/602
 D836,386 S 12/2018 Ayriss et al.
 D856,802 S * 8/2019 Kassler D9/436
 D856,803 S * 8/2019 Kassler D9/436
 D857,498 S * 8/2019 Kassler D9/436
 10,542,845 B2 * 1/2020 Herrera, Jr. A47G 19/065
 2004/0149755 A1 * 8/2004 Olivar A47G 19/065
 220/212
 2008/0011762 A1 * 1/2008 Boone B65D 43/0212
 220/713
 2009/0266829 A1 * 10/2009 Bailey B65D 43/0202
 220/713

OTHER PUBLICATIONS

Silipint Silicone Travel Lid: Announced Aug. 13, 2018 [online]. Stie Visited [Aug. 31, 2020]. Available from Internet URL: https://www.amazon.com/Silipint-Original-Silicone-Drinkware-Unbreakable/dp/B07H7WXT79/ref=cm_cr_arp_d_product_top?ie=UTF8.*

* cited by examiner

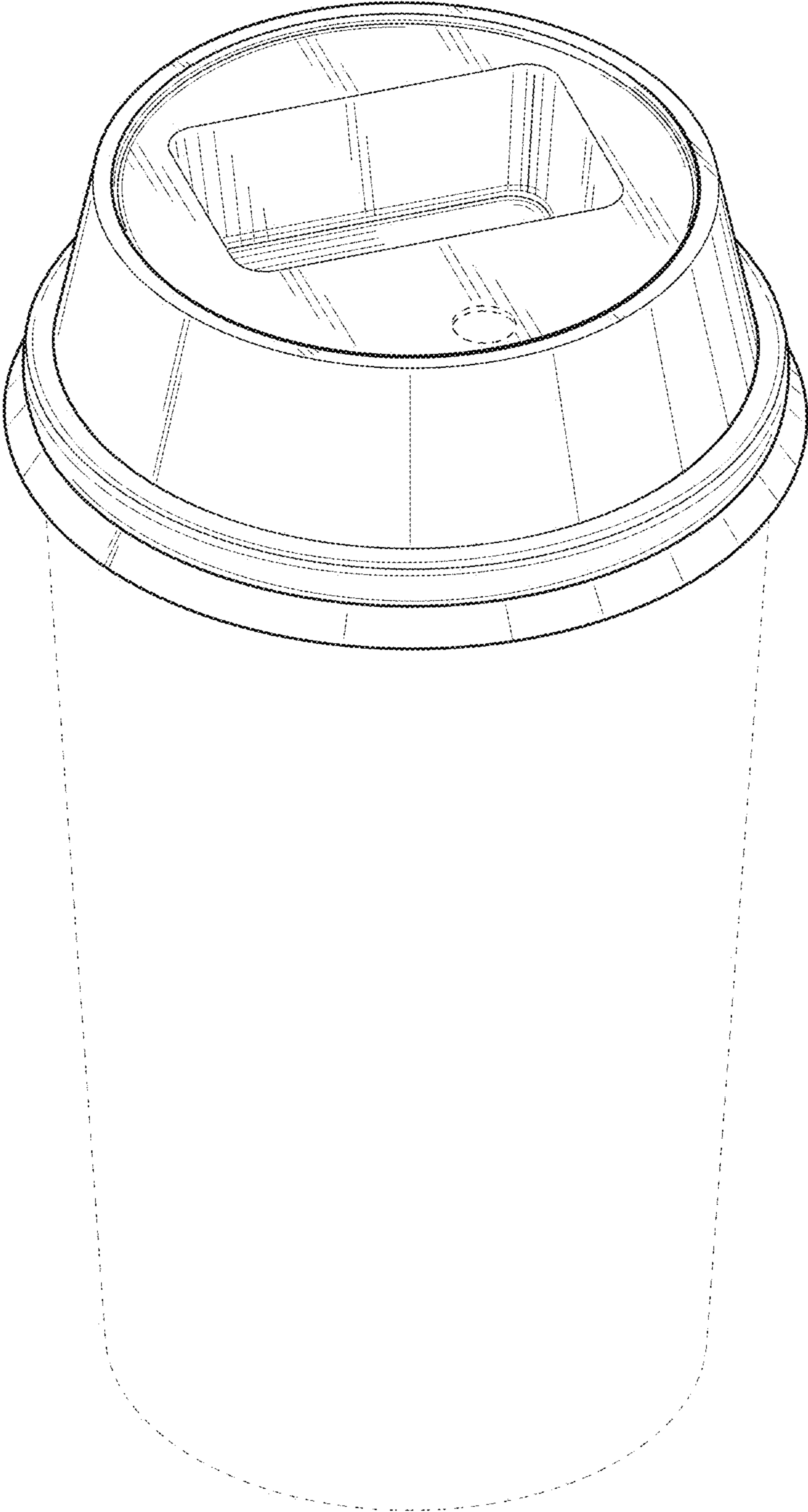


Fig. 1

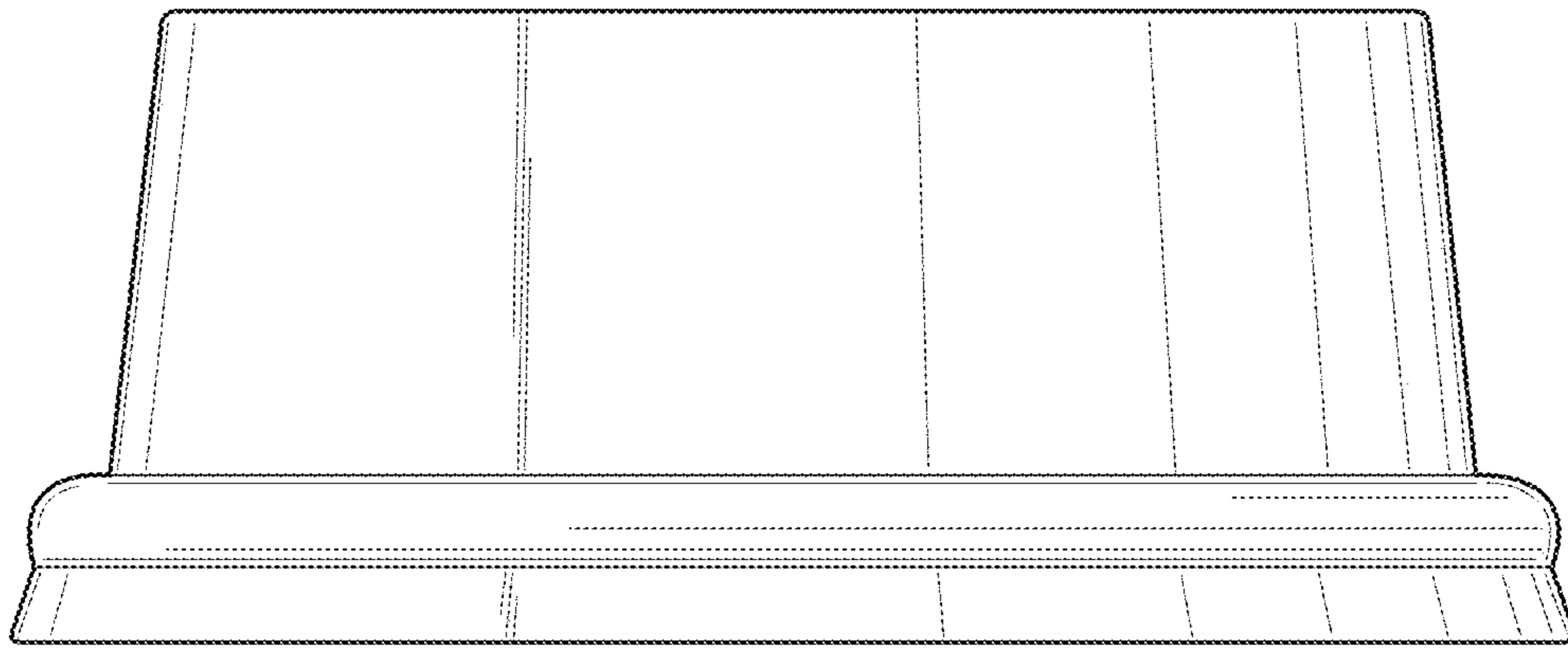


Fig. 2

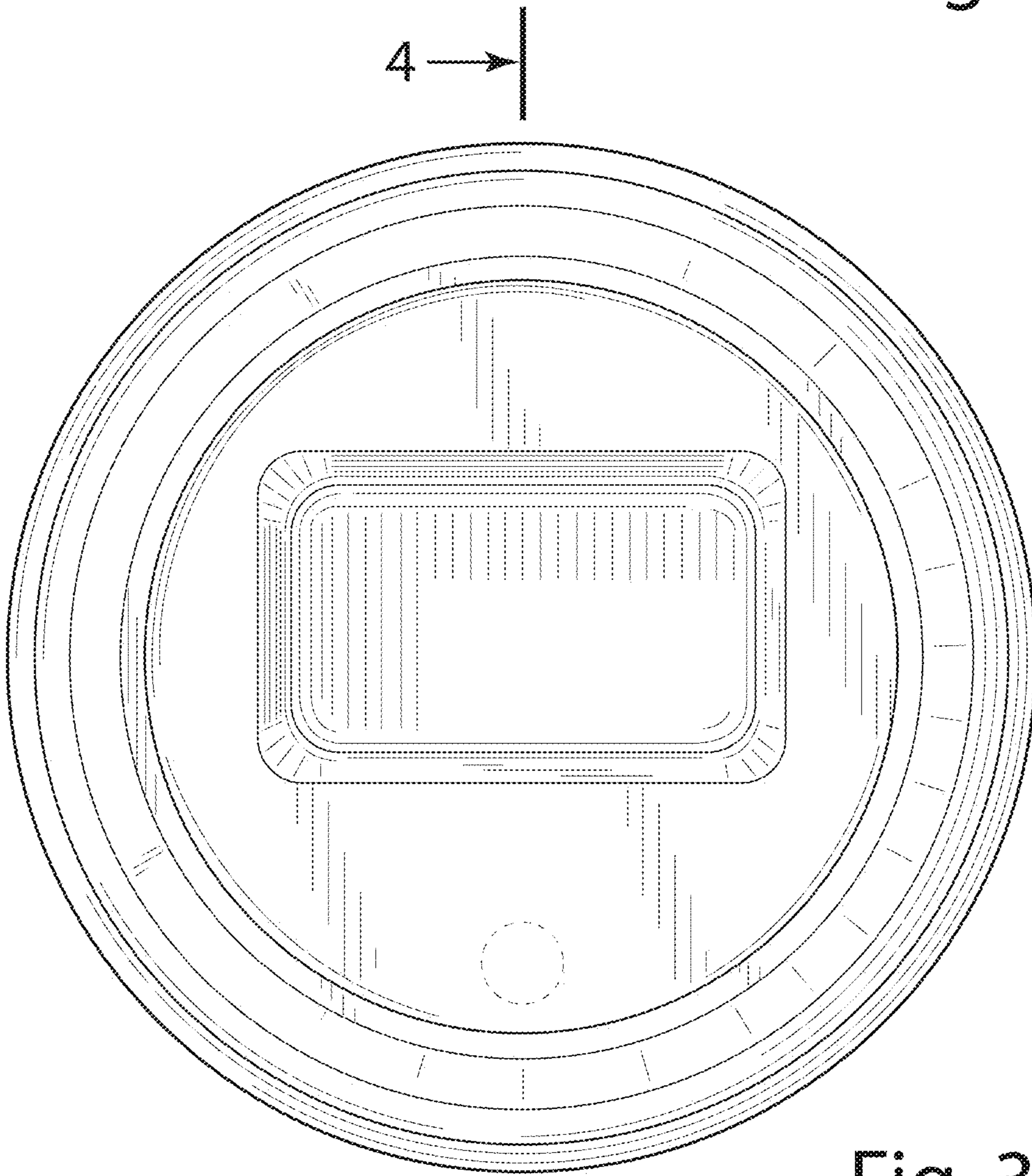


Fig. 3

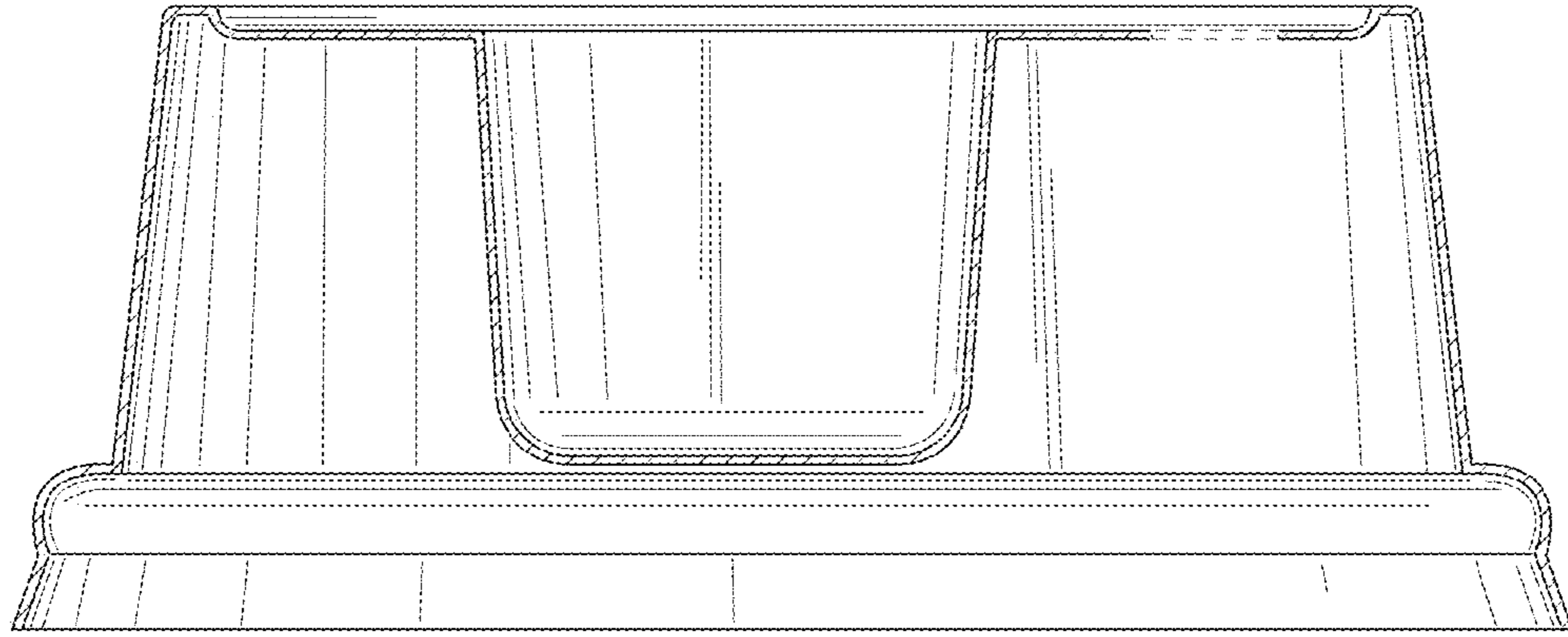


Fig. 4