



US00D909202S

(12) **United States Design Patent**
Kade

(10) **Patent No.:** **US D909,202 S**

(45) **Date of Patent:** **** Feb. 2, 2021**

(54) **CONTAINER TOP PORTION**

(71) Applicant: **Reflect Earth LLC**, Charlotte, NC
(US)

(72) Inventor: **David William Kade**, Charlotte, NC
(US)

(73) Assignee: **Reflect Earth LLC**, Charlotte, NC
(US)

(**) Term: **15 Years**

(21) Appl. No.: **29/706,796**

(22) Filed: **Sep. 24, 2019**

(51) **LOC (13) Cl.** **09-07**

(52) **U.S. Cl.**
USPC **D9/435**

(58) **Field of Classification Search**
USPC D7/538, 550.1, 551.1, 601, 602, 354,
D7/387, 388, 391, 392, 392.1, 396.1, 360,
D7/511, 542, 629, 705; D9/661, 664,
D9/732, 736, 743, 744, 745, 755, 414,
D9/424, 439, 434, 435, 436, 451, 455,
D9/456; D3/201, 272, 294, 318;
D30/123, 121, 129-133; D24/121, 127,
D24/227
CPC B65D 51/1683; B65D 2205/00; B65D
41/12; B65D 25/04; B65D 25/00; B65D
65/466; B65D 2543/00842; B65D 1/00;
B65D 1/30; B65D 1/34; B65D 1/36
See application file for complete search history.

(56) **References Cited**

U.S. PATENT DOCUMENTS

D360,336 S * 7/1995 Bitel, Jr. D7/391
6,308,831 B1 * 10/2001 Saxe B42F 7/14
206/38

D502,031 S * 2/2005 Cassidy D20/40
D505,809 S * 6/2005 Cassidy D3/319
D519,781 S * 5/2006 Carlson D7/359
D538,588 S * 3/2007 Laib D7/392.1
D562,624 S * 2/2008 Kortleven D7/392.1
D565,889 S * 4/2008 Laib D7/392.1
D665,595 S * 8/2012 Francis D6/406.3
D666,878 S * 9/2012 Siegel D7/629
D824,208 S * 7/2018 Mirchandani D7/360
10,295,268 B2 * 5/2019 Schryver F28D 15/00
D853,844 S * 7/2019 Juillet D9/456
D855,463 S * 8/2019 Pentzer D9/456
D875,401 S * 2/2020 Wang D3/318
D888,556 S * 6/2020 Mahon D9/456
2007/0012066 A1 * 1/2007 Kaplan F25D 3/08
62/457.2
2017/0057728 A1 * 3/2017 Shaw B65D 25/04
2019/0106247 A1 * 4/2019 Charron A47J 47/08

* cited by examiner

Primary Examiner — Catherine S Posthauer
(74) *Attorney, Agent, or Firm* — Clements Bernard
Walker

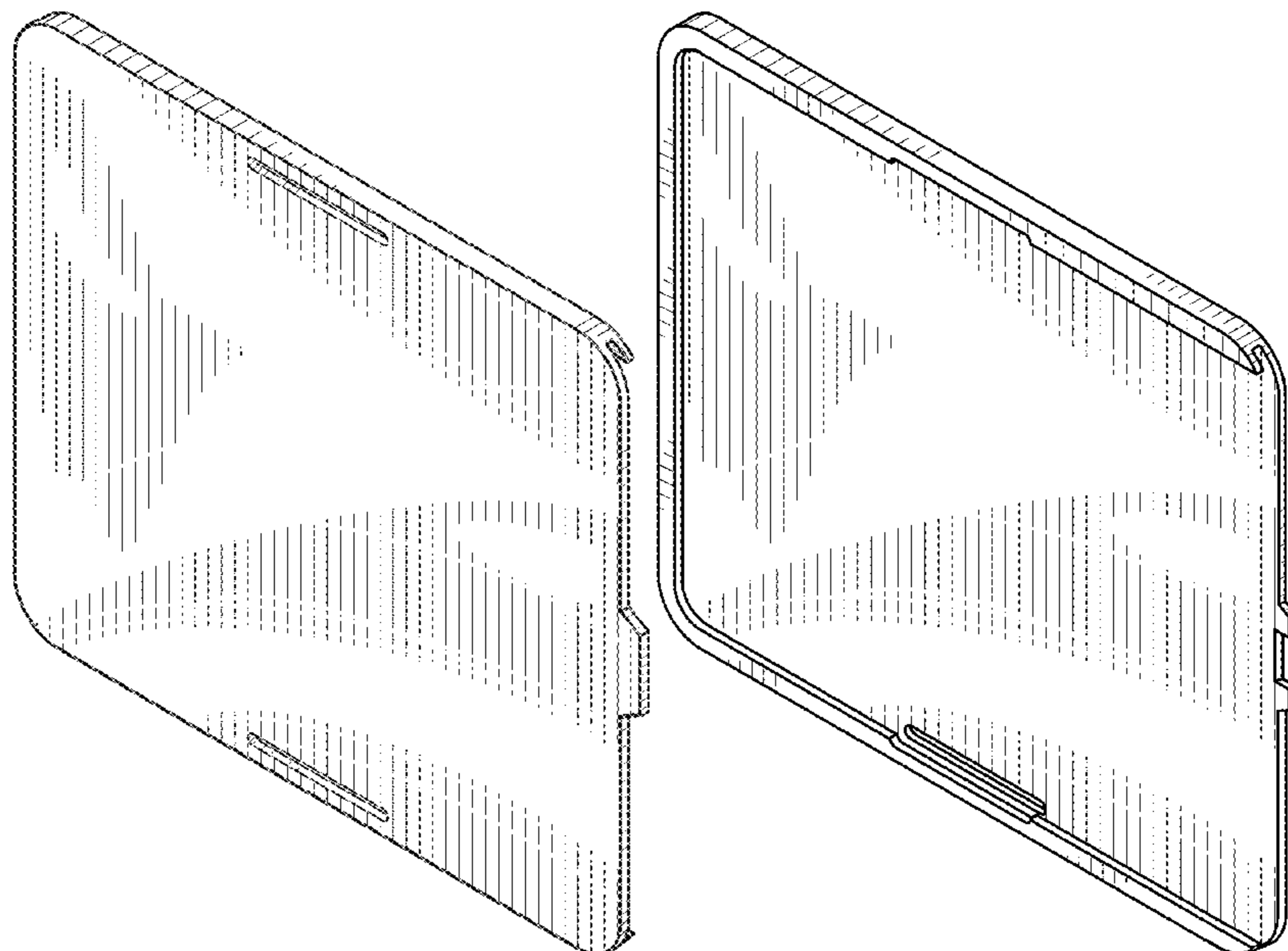
(57) **CLAIM**

The ornamental design for a container top portion, as shown
and described.

DESCRIPTION

FIG. 1 is a top perspective view of the container top portion
showing my new design;
FIG. 2 is a bottom perspective view of the container top
portion;
FIG. 3 is a top view of the container top portion;
FIG. 4 is a bottom view of the container top portion;
FIG. 5 is a side view of the container top portion;
FIG. 6 is another side view of the container top portion;
FIG. 7 is a back view of the container top portion; and,
FIG. 8 is a front view of the container top portion.

1 Claim, 5 Drawing Sheets



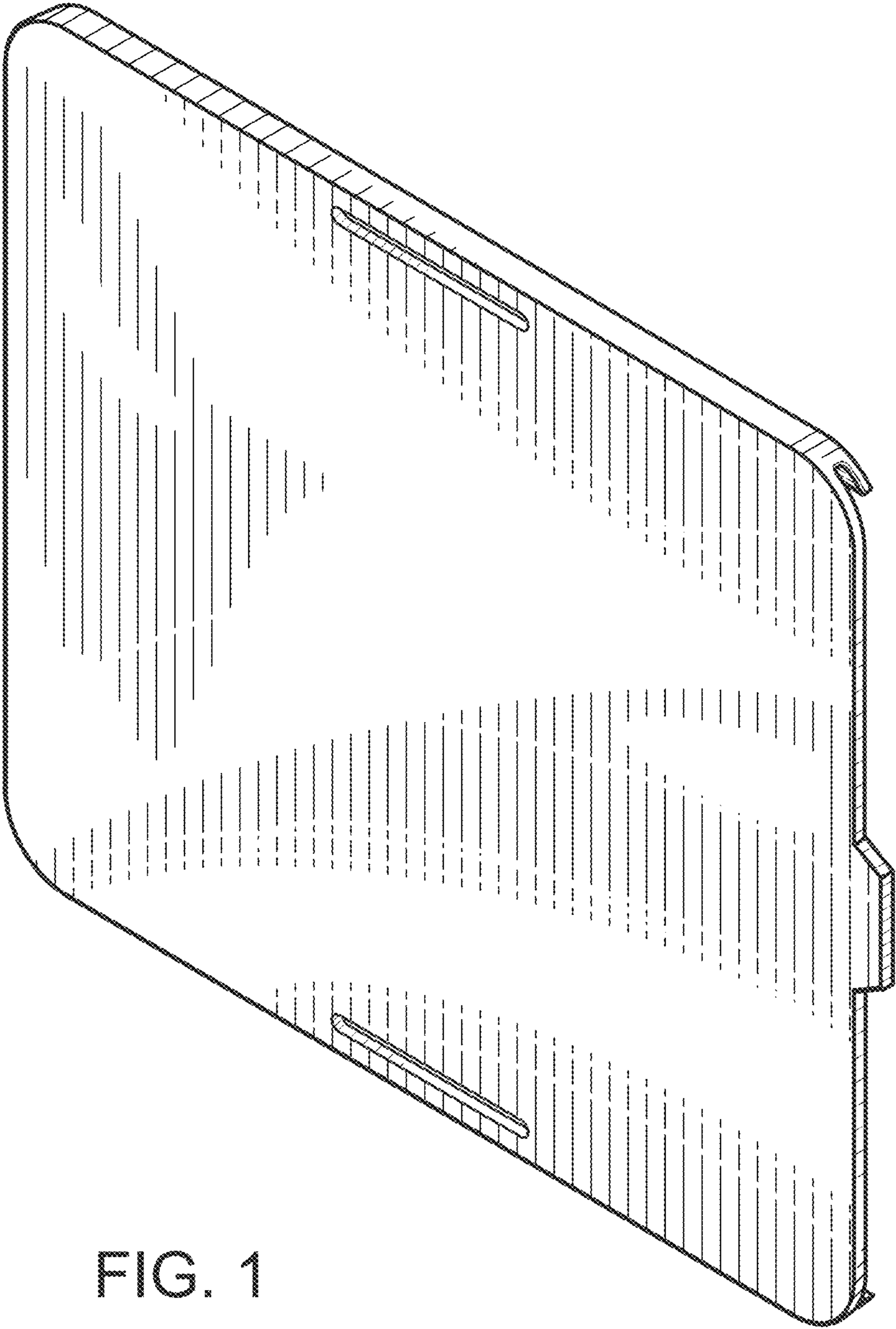


FIG. 1

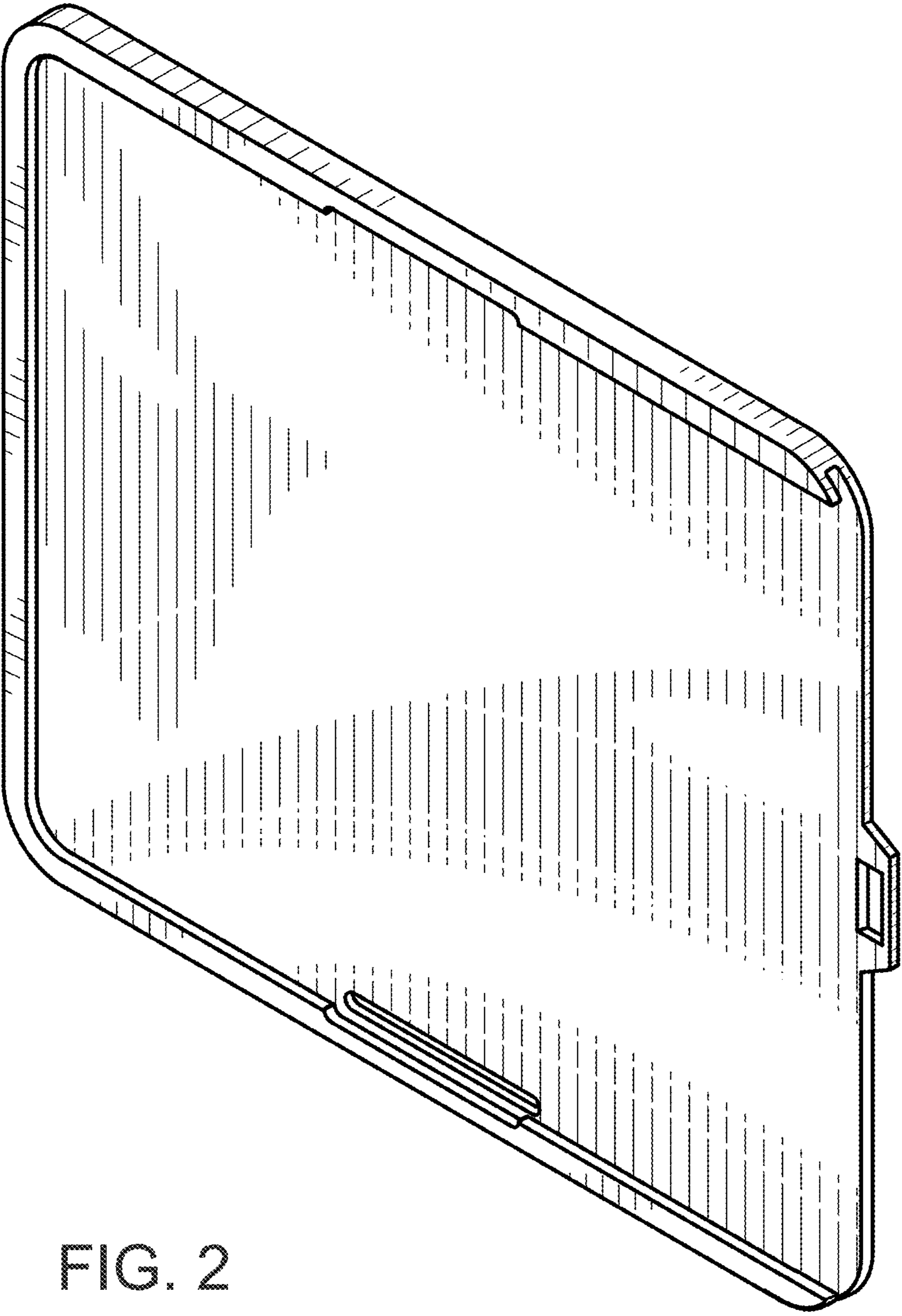


FIG. 2

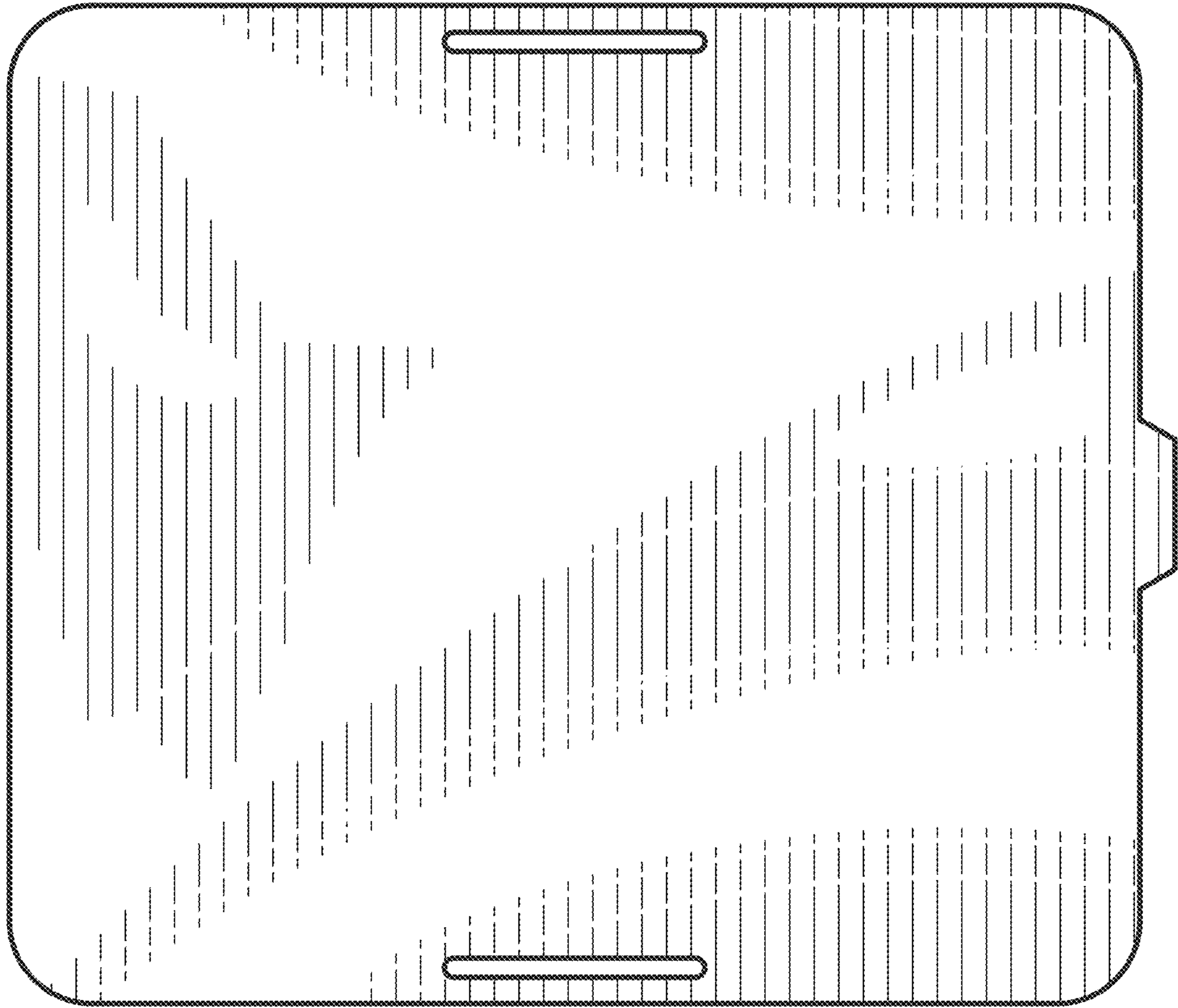


FIG. 3

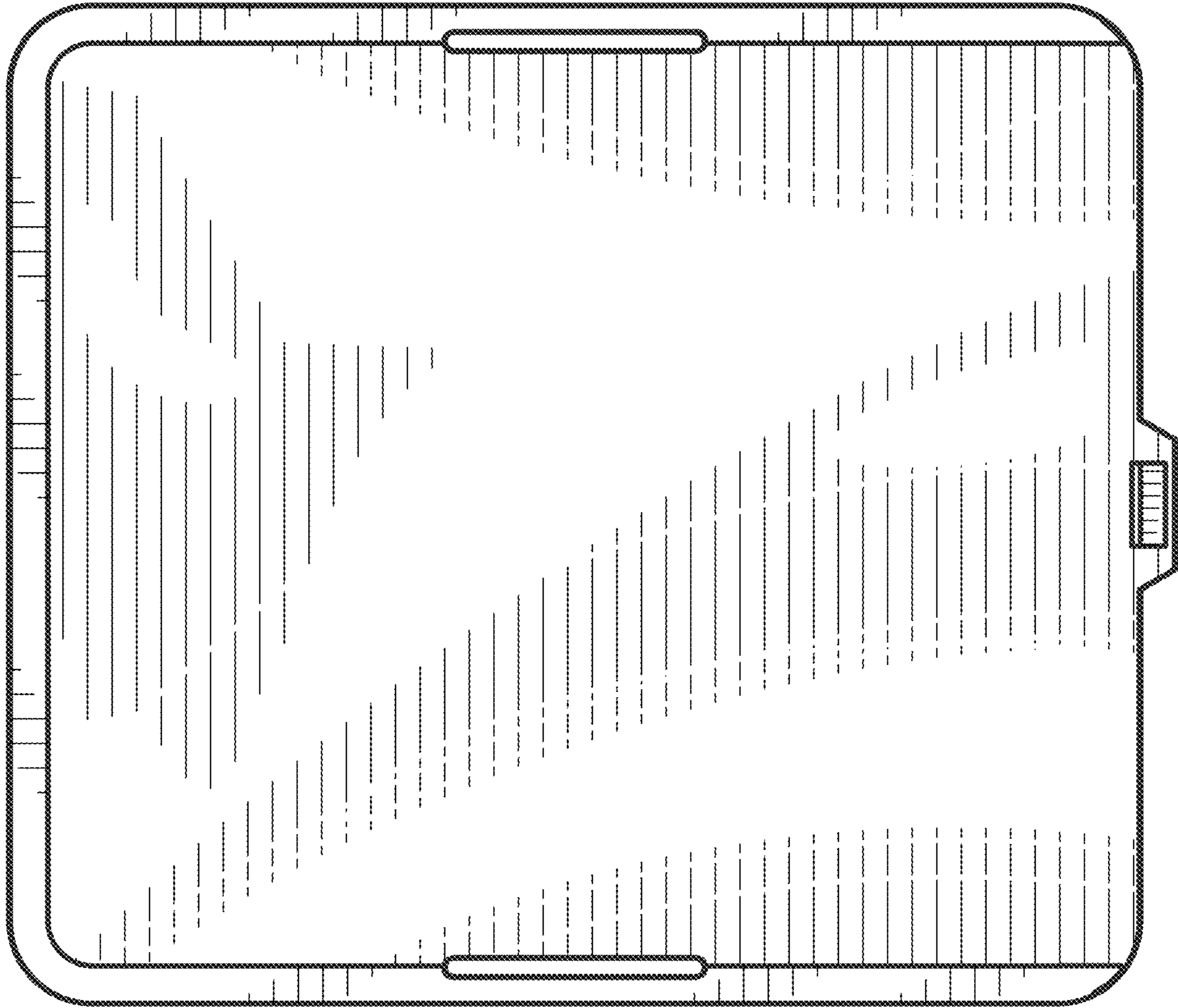


FIG. 4



FIG. 5

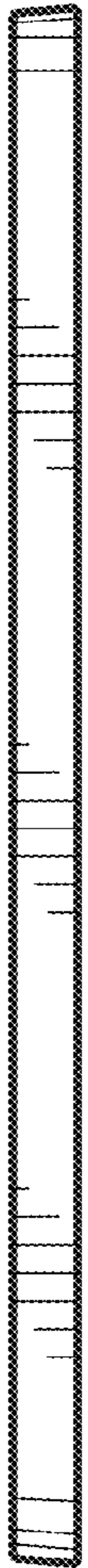


FIG. 7



FIG. 8



FIG. 6