



US00D909200S

(12) **United States Design Patent**  
**Jenniges et al.**

(10) **Patent No.:** **US D909,200 S**  
(45) **Date of Patent:** **\*\* Feb. 2, 2021**

- (54) **FOOD PACKAGE**
- (71) Applicant: **SFC Global Supply Chain, Inc.**,  
Marshall, MN (US)
- (72) Inventors: **Daniel Joseph Jenniges**, Plymouth,  
MN (US); **Jessica Rae Joslin**,  
Bloomington, MN (US)
- (73) Assignee: **SFC Global Supply Chain Inc.**,  
Marshall, MN (US)

- 5,326,024 A \* 7/1994 Fogle ..... B65D 5/701  
229/214
- 5,368,225 A \* 11/1994 Ritter ..... B65D 5/2033  
229/110
- 5,402,929 A \* 4/1995 Ritter ..... B65D 5/2033  
229/110
- 5,452,845 A \* 9/1995 Ritter ..... B65D 5/20  
229/110
- 5,702,054 A \* 12/1997 Philips ..... B65D 5/6664  
229/110
- 5,806,755 A 9/1998 Correll
- 5,961,035 A \* 10/1999 Correll ..... B65D 5/2033  
229/104

(\*\*) Term: **15 Years**

(Continued)

(21) Appl. No.: **29/678,322**

(22) Filed: **Jan. 28, 2019**

**Related U.S. Application Data**

- (62) Division of application No. 29/624,111, filed on Oct.  
30, 2017.
- (51) **LOC (13) Cl.** ..... **09-03**
- (52) **U.S. Cl.**  
USPC ..... **D9/430**
- (58) **Field of Classification Search**  
USPC ..... D9/414-423, 424-429, 430-433, 434,  
D9/456, 457, 711, 713, 721-722, 737,  
D9/756, 758, 759, 760; D20/10, 22, 27,  
D20/40, 42; D3/272-274, 290, 304, 305,  
D3/315  
CPC ... B65D 5/00; B65D 5/02; B65D 5/18; B65D  
5/20  
See application file for complete search history.

(56) **References Cited**

**U.S. PATENT DOCUMENTS**

- 5,071,062 A 12/1991 Bradley et al.
- D329,806 S \* 9/1992 Kindt ..... D9/430
- 5,211,329 A \* 5/1993 Patton ..... B65D 5/2033  
229/110
- 5,323,957 A 6/1994 Roosa

**OTHER PUBLICATIONS**

Edwards Key Lime Pie. [online] Retrieved Apr. 23, 2020 from  
URL: <https://www.heb.com/product-detail/edwards-key-lime-pie/130159>.\*

*Primary Examiner* — Vy N Koenig

(74) *Attorney, Agent, or Firm* — Merchant & Gould P.C.

(57) **CLAIM**

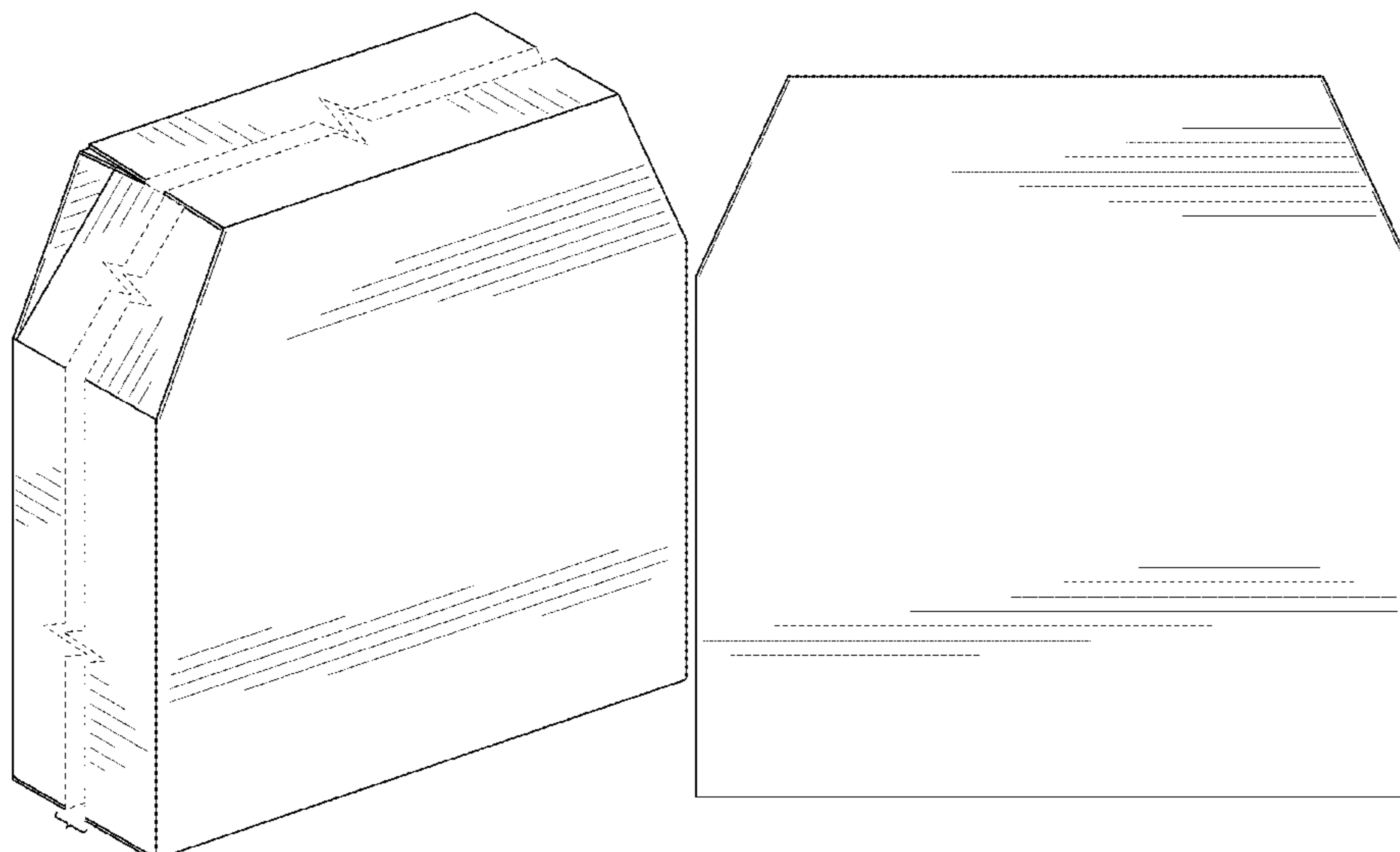
The ornamental design for a food package, as shown and  
described.

**DESCRIPTION**

FIG. 1 is a top, left, front perspective view of a food  
package, showing our new design;  
FIG. 2 is a top view of the food package of FIG. 1;  
FIG. 3 is a bottom view of the food package of FIG. 1;  
FIG. 4 is a left side view of the food package of FIG. 1;  
FIG. 5 is a right side view of the food package of FIG. 1;  
FIG. 6 is a front view of the food package of FIG. 1; and,  
FIG. 7 is a back view of the food package of FIG. 1.

In the above drawings, the symbolic break lines convey that  
the appearance of any portion of the package between the  
symbolic break lines forms no part of the claimed design.

**1 Claim, 4 Drawing Sheets**



(56)

**References Cited**

U.S. PATENT DOCUMENTS

6,109,512 A \* 8/2000 Morrison ..... B65D 5/665  
229/110  
6,547,125 B2 \* 4/2003 Correll ..... B65D 5/2033  
229/110  
D732,383 S \* 6/2015 Nash ..... D9/417  
D747,192 S \* 1/2016 Nietert ..... D9/423  
D767,989 S \* 10/2016 Nietert ..... D9/423  
9,522,761 B2 \* 12/2016 Baker ..... B65D 5/0015  
D804,301 S \* 12/2017 Aono ..... D9/430  
D858,272 S \* 9/2019 Jenniges ..... D9/431  
2011/0253772 A1 \* 10/2011 Holch ..... B65D 5/6658  
229/101.2

\* cited by examiner

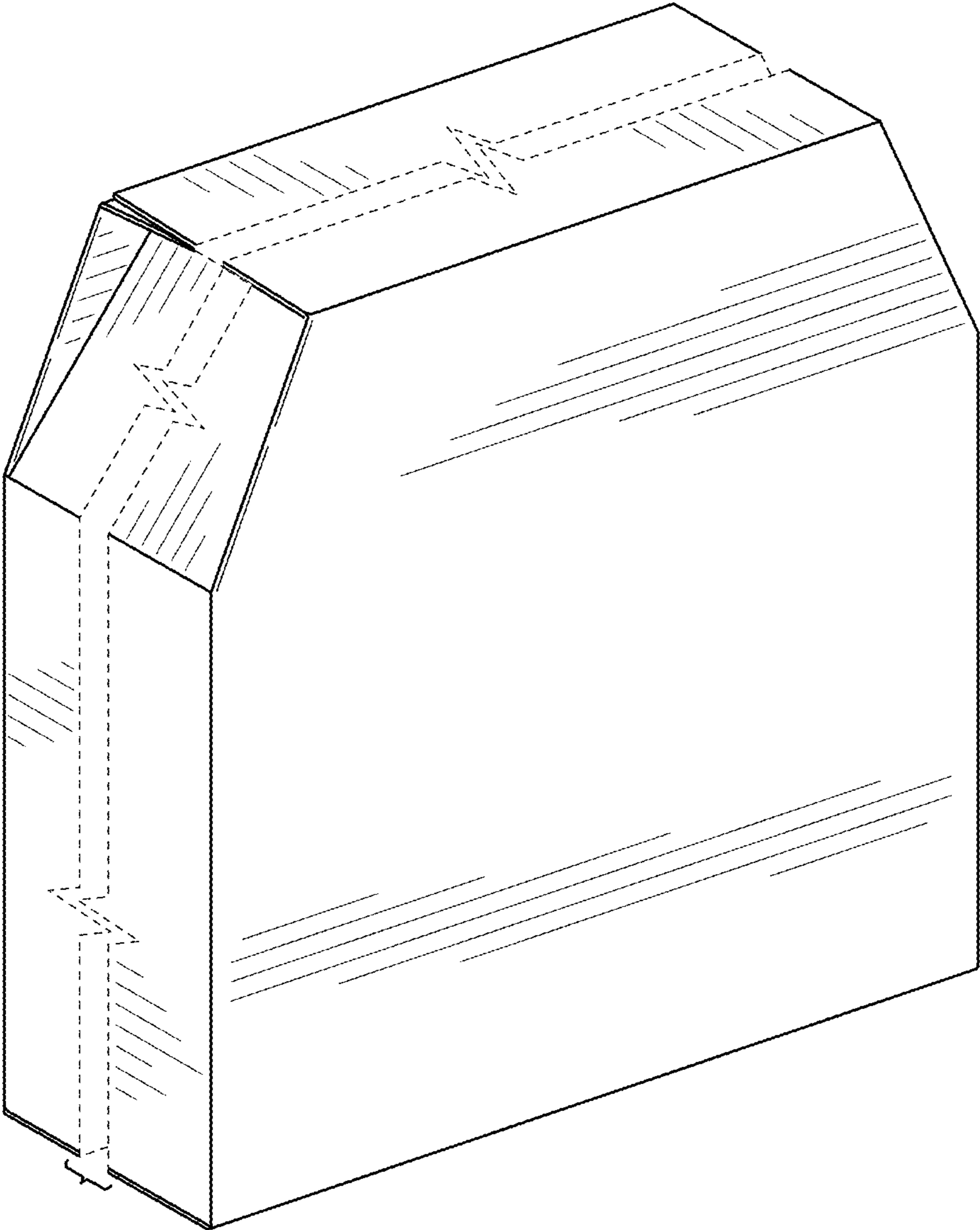


FIG. 1

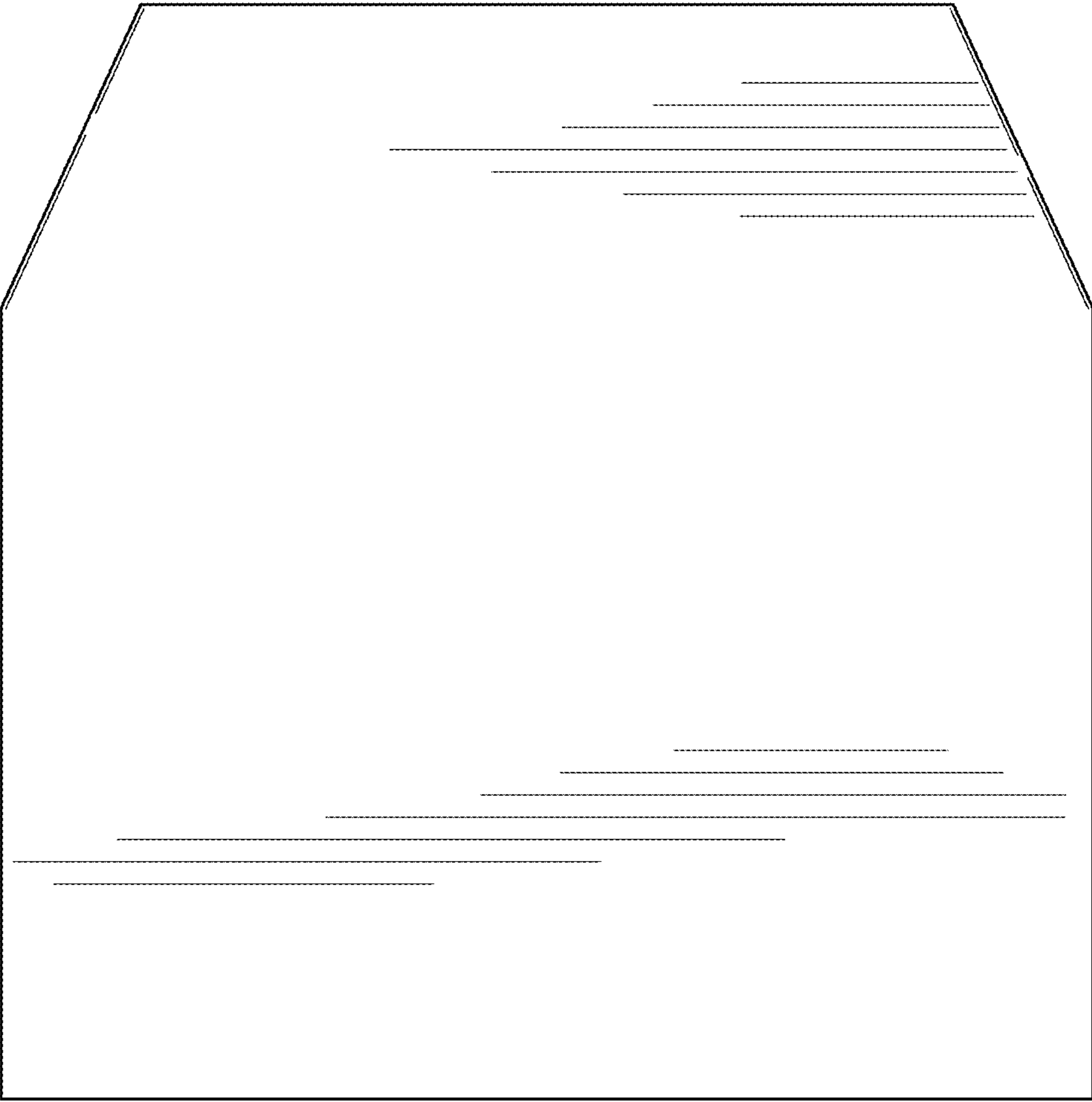


FIG. 2

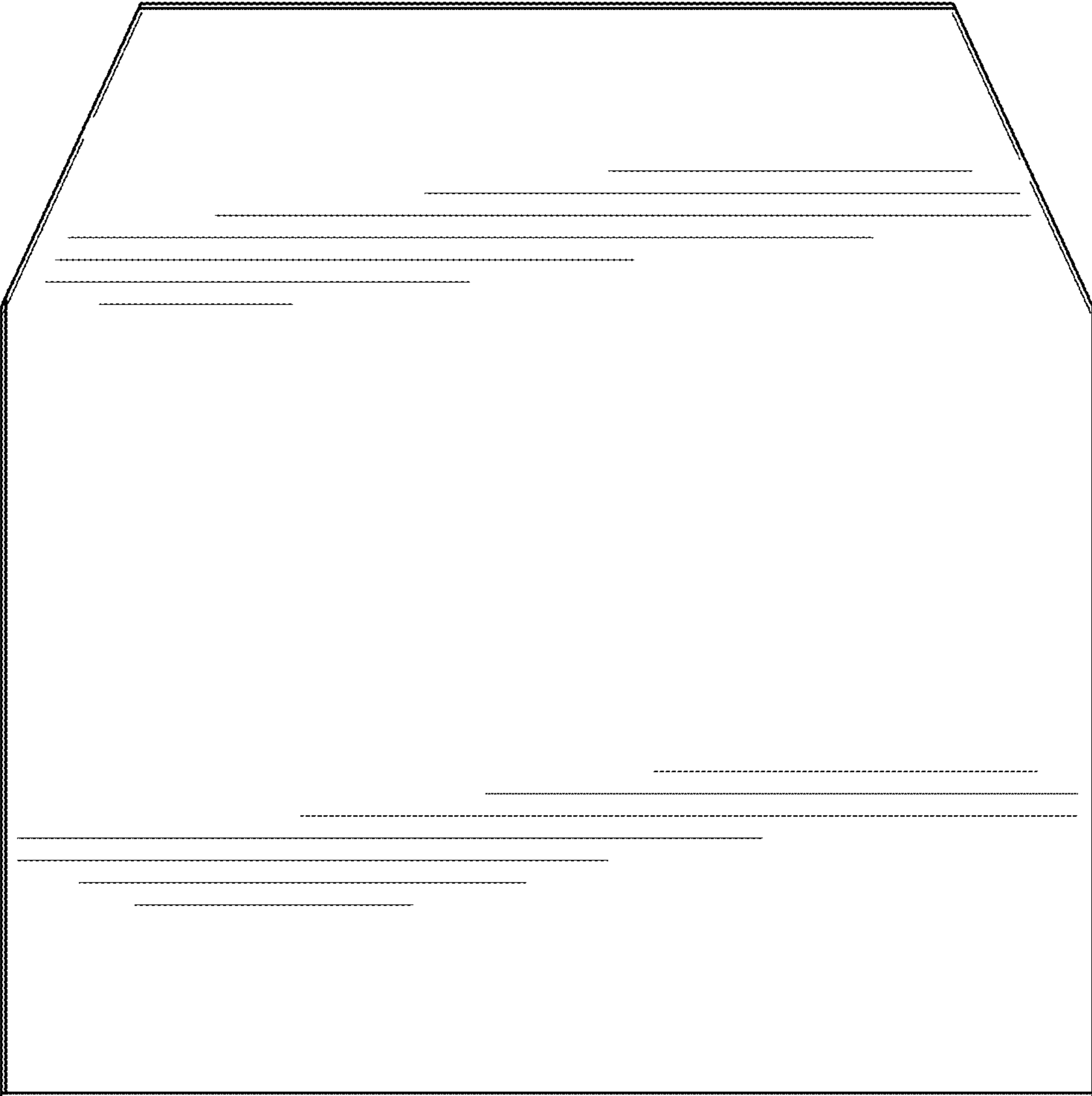


FIG. 3

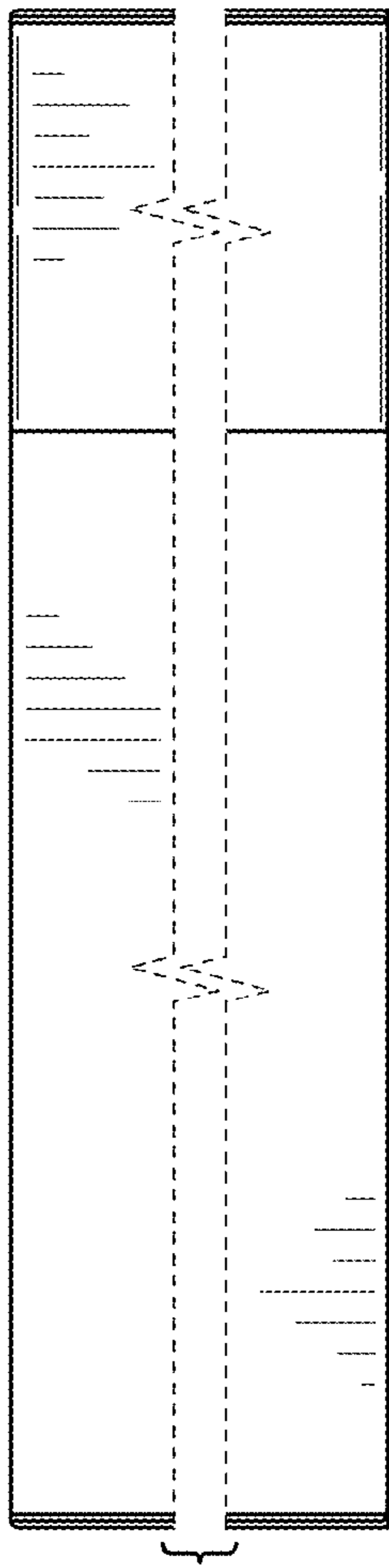


FIG. 4

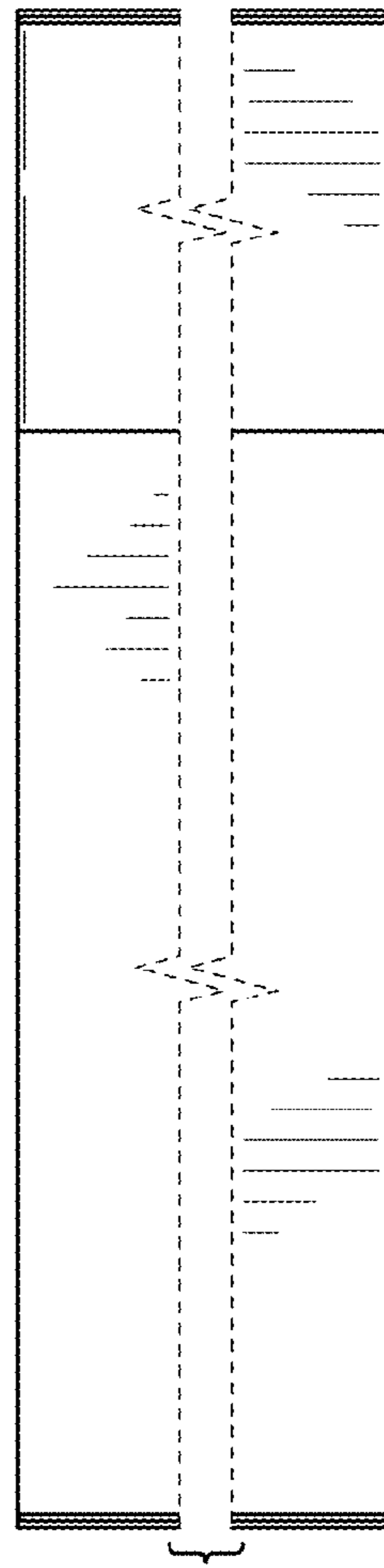


FIG. 5

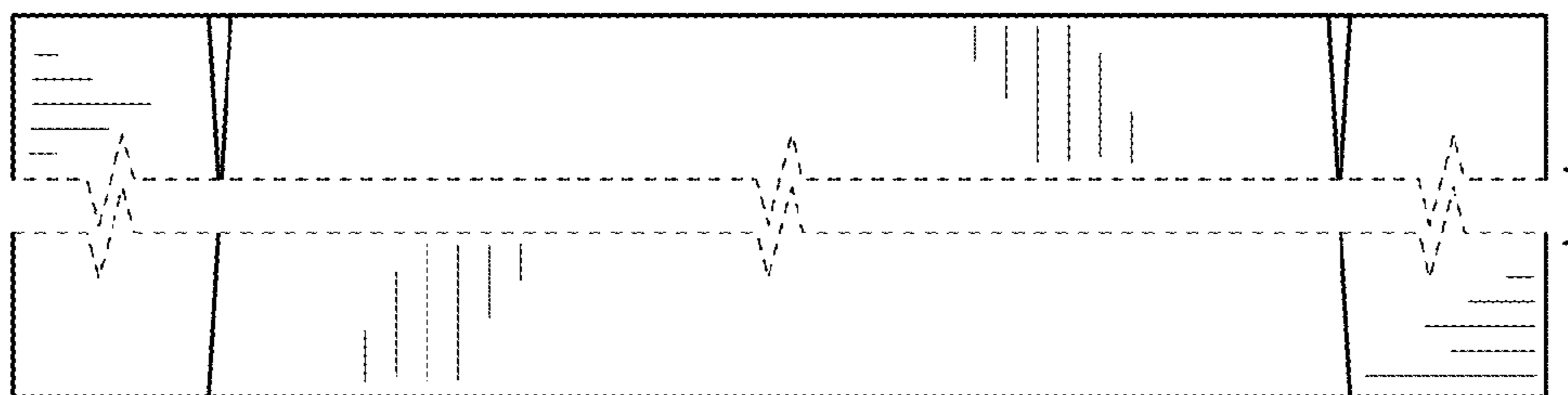


FIG. 6

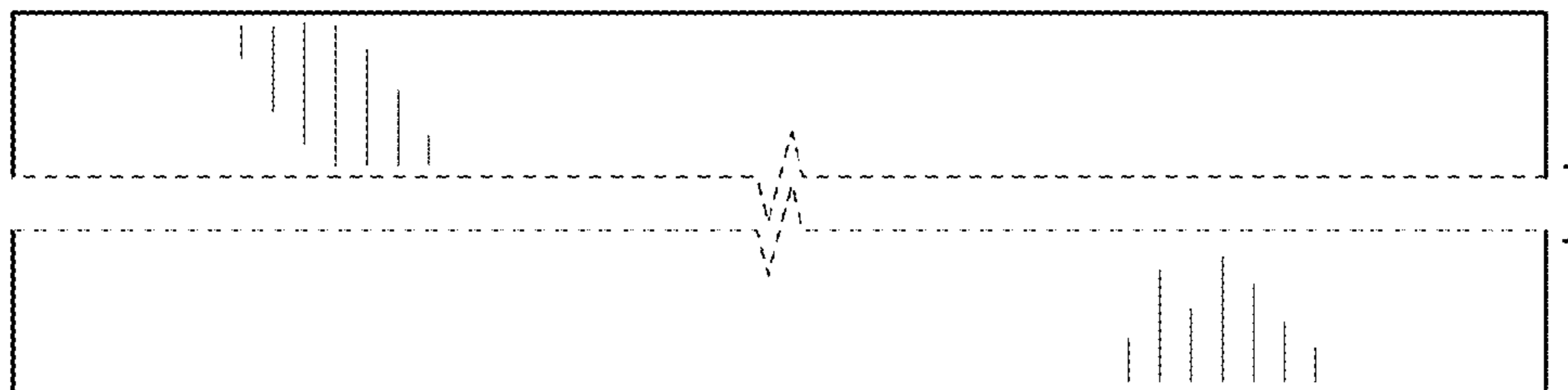


FIG. 7