



US00D909199S

(12) **United States Design Patent** (10) **Patent No.:** **US D909,199 S**  
**Baker et al.** (45) **Date of Patent:** **\*\* \*Feb. 2, 2021**

(54) **BATTERY PACKAGING**

- (71) Applicant: **DURACELL U.S. OPERATIONS, INC.**, Wilmington, DE (US)
- (72) Inventors: **Kathleen Ann Baker**, Bethel, CT (US); **Tatiana Jouanneau**, Bethel, CT (US); **Scott Stewart**, Bethel, CT (US); **William Shackford**, Bethel, CT (US); **Natalie Denny**, Chicago, IL (US); **Michael Laforzezza**, Pleasantville, NY (US); **Paul Laforzezza**, Pleasantville, NY (US); **Cliff Fischer**, Pleasantville, NY (US)
- (73) Assignee: **DURACELL U.S. OPERATIONS, INC.**, Wilmington, DE (US)

(\*) Notice: This patent is subject to a terminal disclaimer.

(\*\*) Term: **15 Years**

(21) Appl. No.: **29/673,559**

(22) Filed: **Dec. 15, 2018**

(51) **LOC (13) Cl.** ..... **09-03**

(52) **U.S. Cl.**

USPC ..... **D9/430; D9/415; D9/418**

(58) **Field of Classification Search**

USPC ..... **D9/414-423, 430-433, 434, 456, 457, D9/600, 652, 711, 713, 721-722, 737,**

(Continued)

(56) **References Cited**

**U.S. PATENT DOCUMENTS**

D224,290 S \* 7/1972 Robertson ..... D9/735  
D398,844 S 9/1998 Oberloier

(Continued)

**FOREIGN PATENT DOCUMENTS**

JP 282273 6/1968  
JP 1531223 S 8/2015

**OTHER PUBLICATIONS**

Duracell Optimum 1.5V Alkaline AA Batteries. [online] Retrieved Dec. 20, 2019 from URL: [https://www.amazon.com/Duracell-Optimum-1-5V-Alkaline-Batteries/dp/B07RTNB65C?ref\\_=ast\\_sto\\_dp&th=1&psc=1](https://www.amazon.com/Duracell-Optimum-1-5V-Alkaline-Batteries/dp/B07RTNB65C?ref_=ast_sto_dp&th=1&psc=1).\*

(Continued)

*Primary Examiner* — Vy N Koenig  
(74) *Attorney, Agent, or Firm* — Marshall, Gerstein & Borun LLP

(57) **CLAIM**

The ornamental design for battery packaging, as shown and described.

**DESCRIPTION**

FIG. 1 is a bottom, left, back perspective view of a first embodiment of a battery packaging according to our new ornamental design;  
 FIG. 2 is a top, left, front perspective view thereof;  
 FIG. 3 is a back view thereof;  
 FIG. 4 is a front view thereof;  
 FIG. 5 is a left-side view thereof;  
 FIG. 6 is a right-side view thereof;  
 FIG. 7 is a top view thereof; and  
 FIG. 8 is a bottom view thereof.  
 FIG. 9 is a bottom, left, back perspective view of a second embodiment of a battery packaging according to our new ornamental design;  
 FIG. 10 is top, left, front perspective view thereof;  
 FIG. 11 is a back view thereof;  
 FIG. 12 is a front view thereof;  
 FIG. 13 is a left-side view thereof;  
 FIG. 14 is a right-side view thereof;  
 FIG. 15 is a top view thereof; and  
 FIG. 16 is a bottom view thereof.  
 FIG. 17 is a bottom, left, back perspective view of a third embodiment of a battery packaging according to our new ornamental design;  
 FIG. 18 is a top, left, front perspective view thereof;  
 FIG. 19 is a back view thereof;  
 FIG. 20 is a front view thereof;

(Continued)

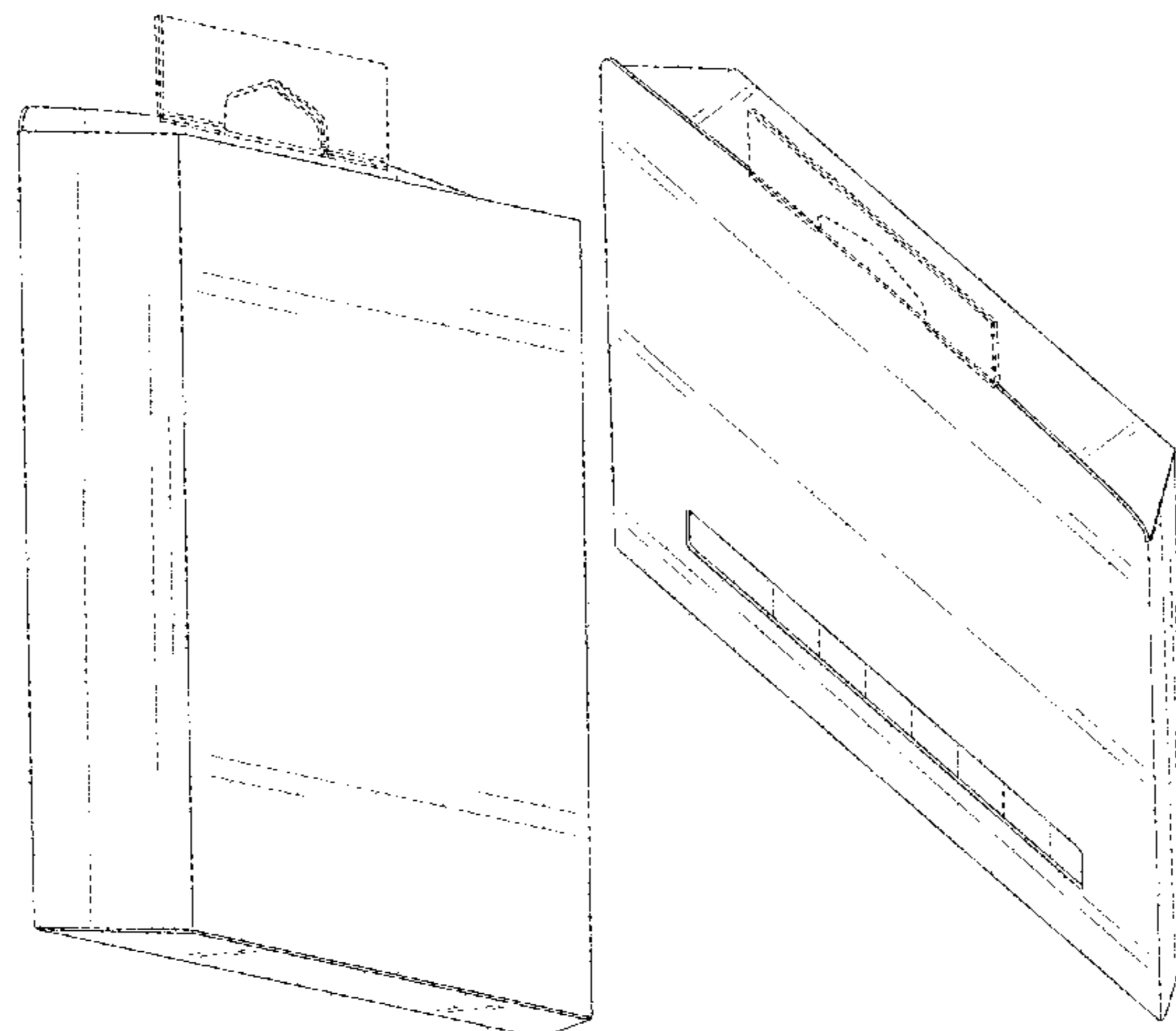


FIG. 21 is a left-side view thereof;  
 FIG. 22 is a right-side view thereof;  
 FIG. 23 is a top view thereof; and,  
 FIG. 24 is a bottom view thereof.

The broken lines shown in the Figures represent environmental subject matter and portions of the battery packaging that form no part of the claimed design.

FIGS. 17-24 are shown with a symbolic break in the battery packaging width. The appearance of any portion of the article between the break lines forms no part of the claimed design.

**1 Claim, 18 Drawing Sheets**

**(58) Field of Classification Search**

USPC ..... D9/756, 758, 759, 760; D20/10, 22, 27,  
 D20/40, 42  
 CPC ... B65D 5/00; B65D 5/02; B65D 5/18; B65D  
 5/20

See application file for complete search history.

**(56) References Cited**

U.S. PATENT DOCUMENTS

D408,732 S	4/1999	Gaffney et al.	
D423,926 S *	5/2000	Kellar .....	D9/415
D432,009 S	10/2000	Pirro et al.	
D432,908 S	10/2000	Pirro et al.	
6,308,832 B1	10/2001	Pirro et al.	
D450,239 S	11/2001	Otto	
D451,014 S	11/2001	Otto	
D451,382 S	12/2001	Adkins	
D470,047 S	2/2003	Lee et al.	
D479,126 S	9/2003	Kumakura et al.	
D480,964 S	10/2003	Lee	
D506,925 S	7/2005	Plumer	
6,918,532 B2	7/2005	Sierra-Gomez et al.	
D516,419 S *	3/2006	Kellar .....	D9/415
D520,356 S	5/2006	Kellar et al.	
D544,788 S	6/2007	Brittain	
D593,854 S	6/2009	Casanova et al.	
D631,371 S	1/2011	Borgheim et al.	
D635,468 S *	4/2011	Buitrago .....	D9/711

D635,469 S *	4/2011	Buitrago .....	D9/711
D646,561 S	10/2011	Pugh	
8,066,125 B2	11/2011	Kang et al.	
8,066,177 B2 *	11/2011	Tanaka .....	B65D 5/18 229/120.03
8,114,451 B2	2/2012	Sierra-Gomez et al.	
D668,532 S *	10/2012	Bowler .....	D9/415
D689,374 S	9/2013	Logue	
D695,625 S	12/2013	Limback	
D697,398 S	1/2014	Guevara-Ludt	
D699,107 S *	2/2014	Streich .....	D9/457
D715,637 S	10/2014	Caminada	
D723,365 S	3/2015	Mitchell et al.	
D724,425 S	3/2015	Atkinson	
D730,169 S	5/2015	Atkinson	
D731,883 S	6/2015	Davidson et al.	
D739,227 S	9/2015	Mitchell et al.	
D742,735 S	11/2015	Fetman	
D767,985 S	10/2016	Schouten	
D793,222 S *	8/2017	Boyea .....	D9/414
9,809,368 B2	11/2017	Huffer	
D805,890 S	12/2017	Hong	
D813,028 S	3/2018	Saito et al.	
9,950,840 B2	4/2018	Radomyselski et al.	
D818,816 S	5/2018	Baker et al.	
D818,817 S	5/2018	Baker et al.	
D818,818 S	5/2018	Debnath et al.	
D819,437 S	6/2018	Baker et al.	
D820,674 S	6/2018	Yuan	
D822,479 S	7/2018	Baker et al.	
D827,423 S	9/2018	DeMaere et al.	
D827,424 S	9/2018	DeMaere et al.	
D833,270 S	11/2018	Fath et al.	
D844,428 S	4/2019	Stadelmaier et al.	
D859,141 S	9/2019	Baker et al.	
D869,268 S *	12/2019	Baker .....	D9/415
2016/0137375 A1	5/2016	Huffer	

OTHER PUBLICATIONS

U.S. Appl. No. 29/673,558, Battery Packaging, Baker et al., filed Dec. 15, 2018.  
 U.S. Appl. No. 29/673,556, Battery Packaging, Baker et al., filed Dec. 14, 2018.  
 U.S. Appl. No. 29/673,557, Battery Packaging, Baker et al., filed Dec. 14, 2018.

\* cited by examiner

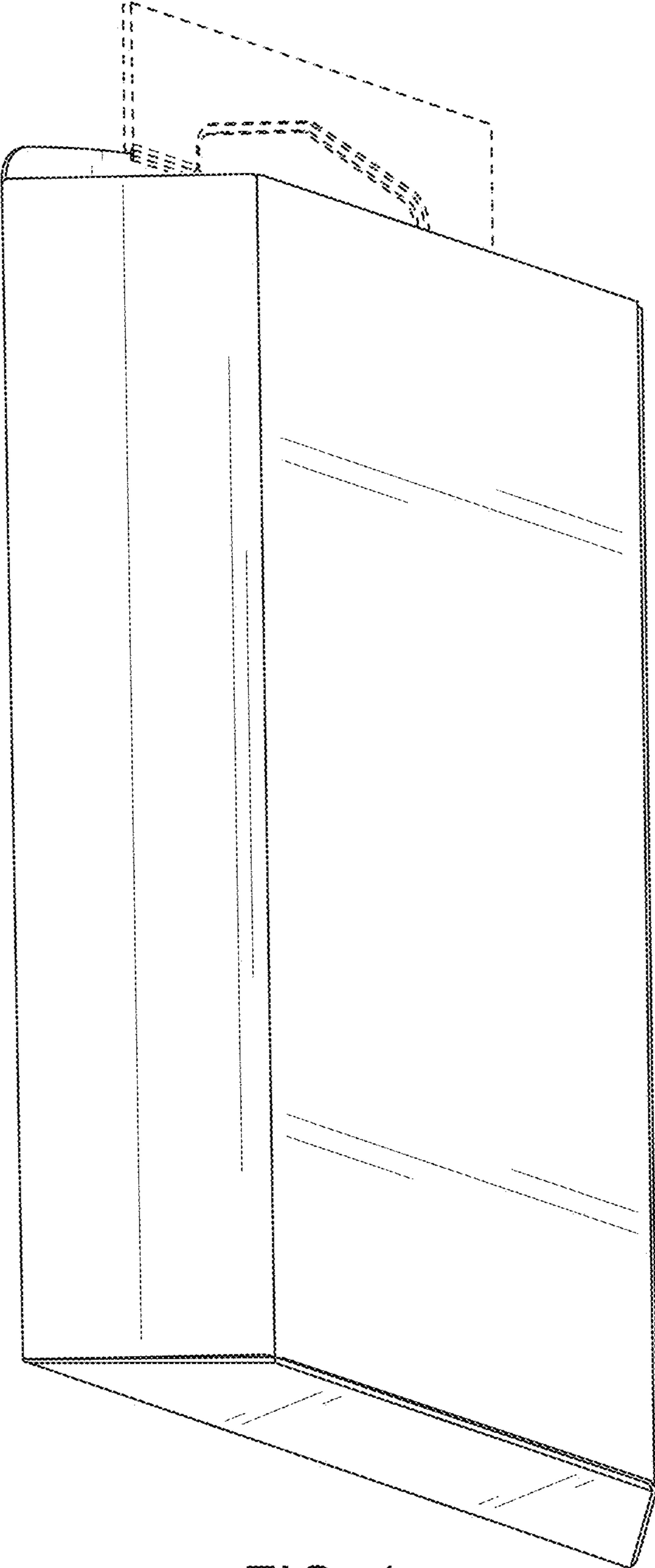


FIG. 1

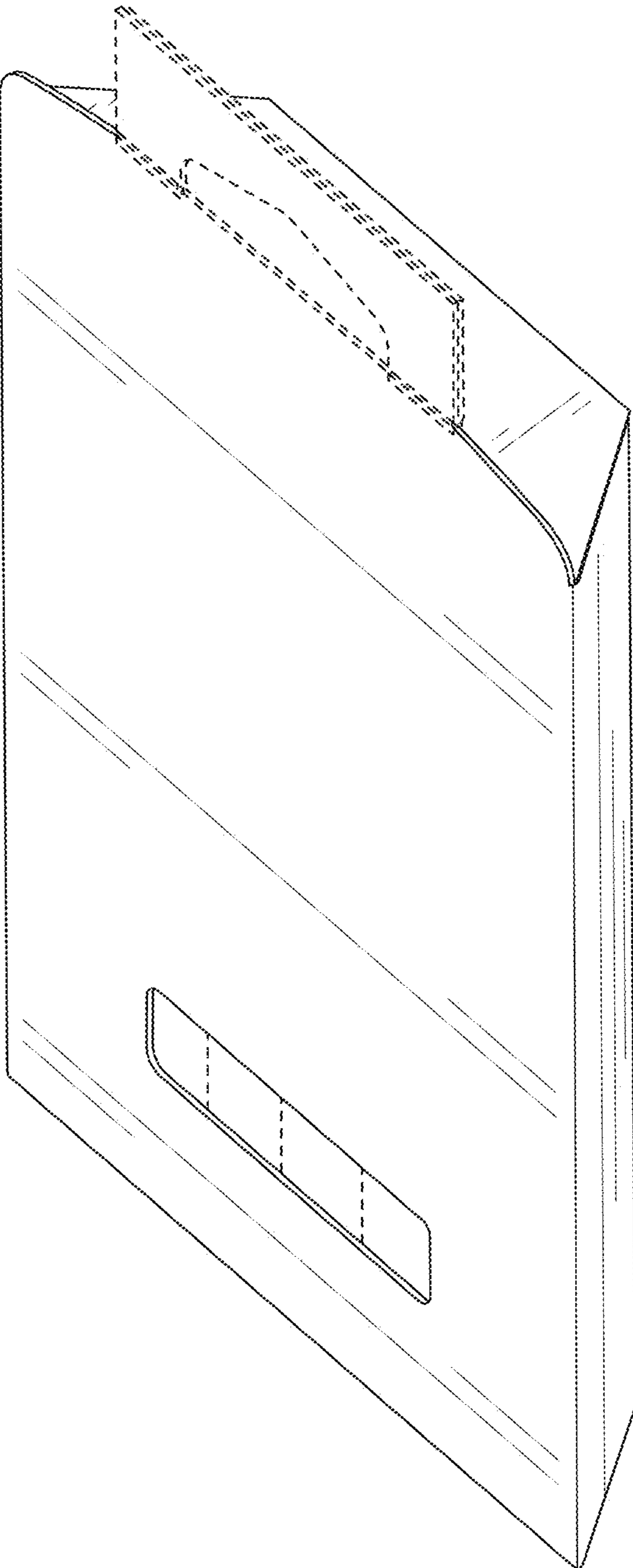


FIG. 2



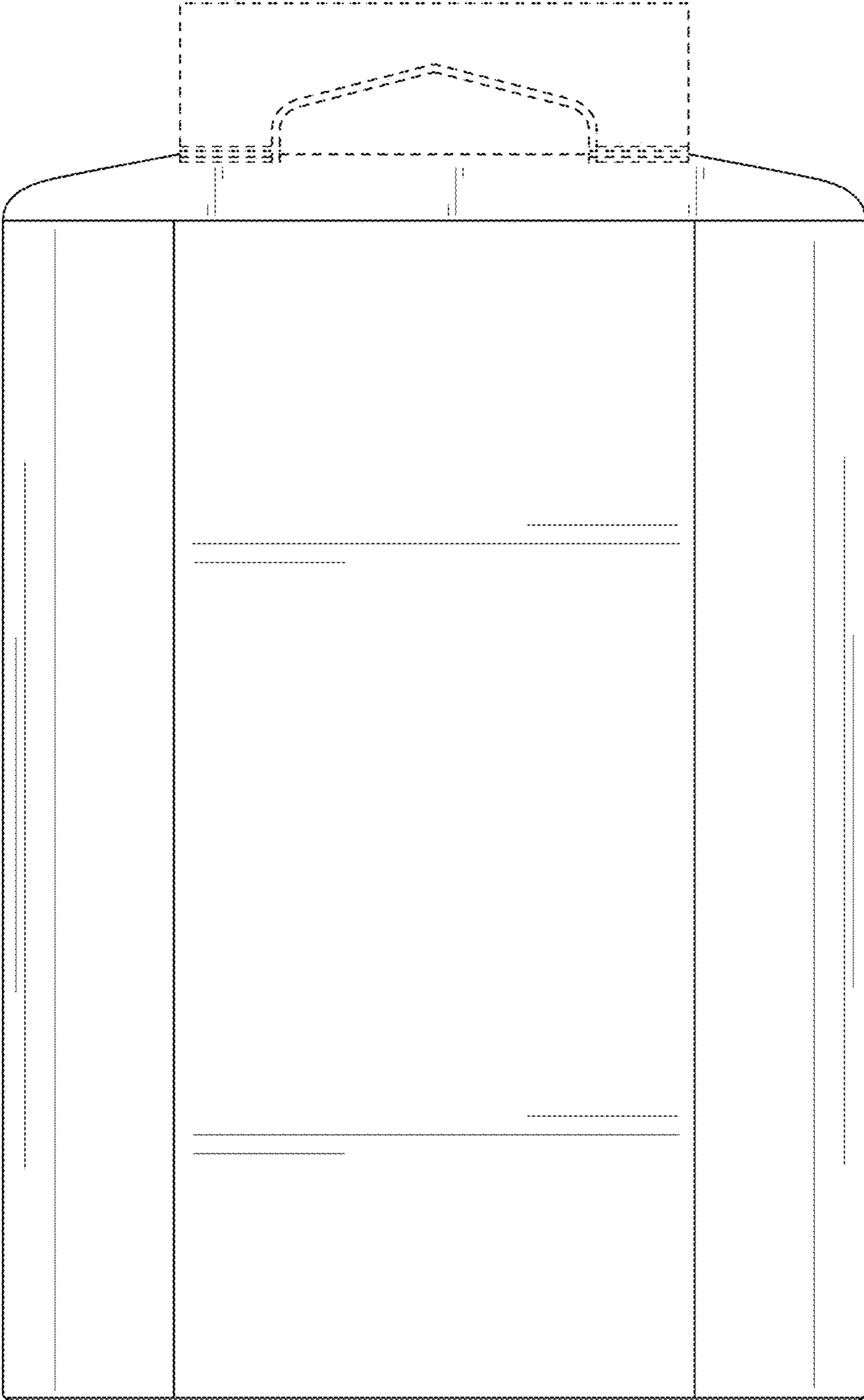


FIG. 3

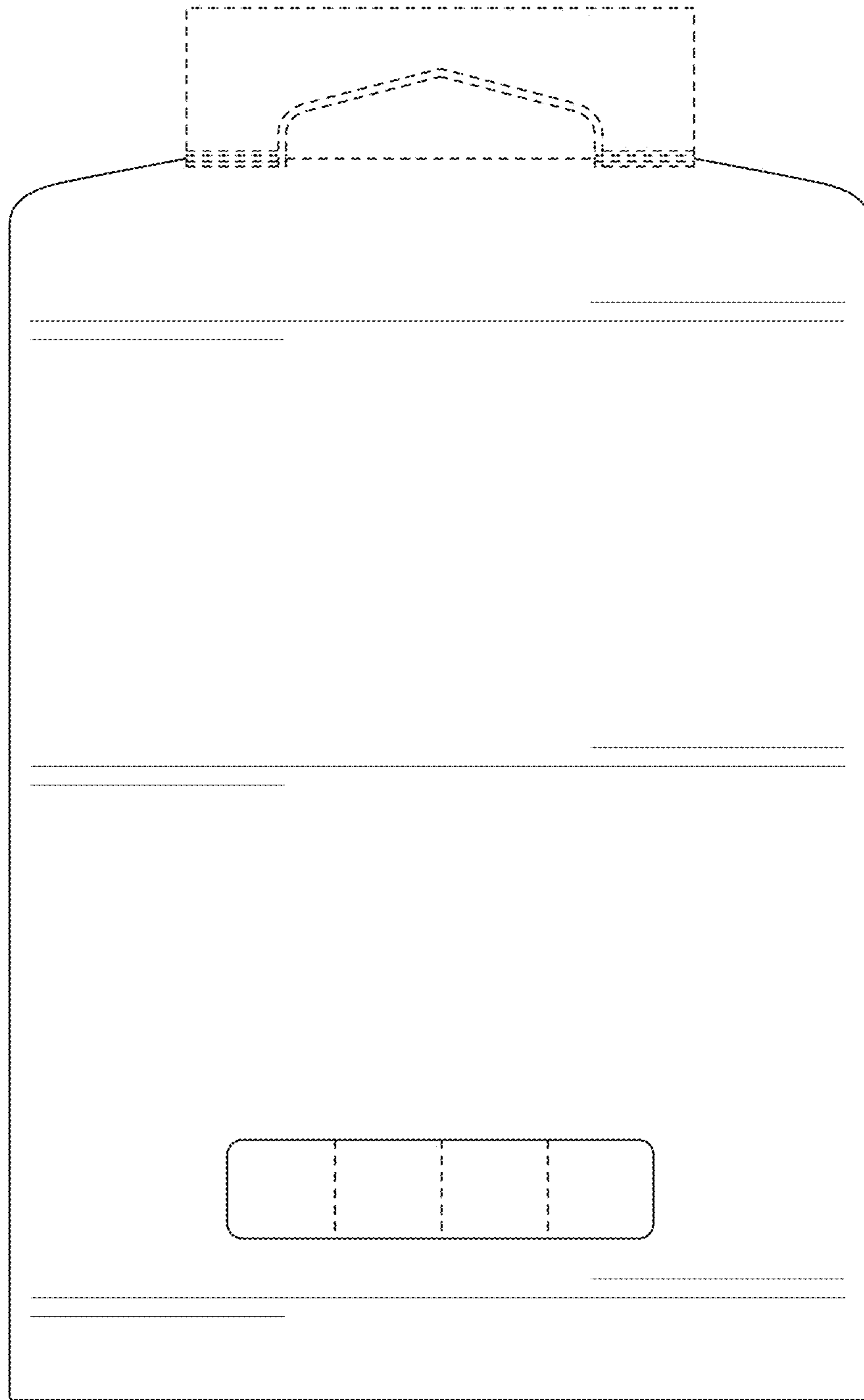


FIG. 4

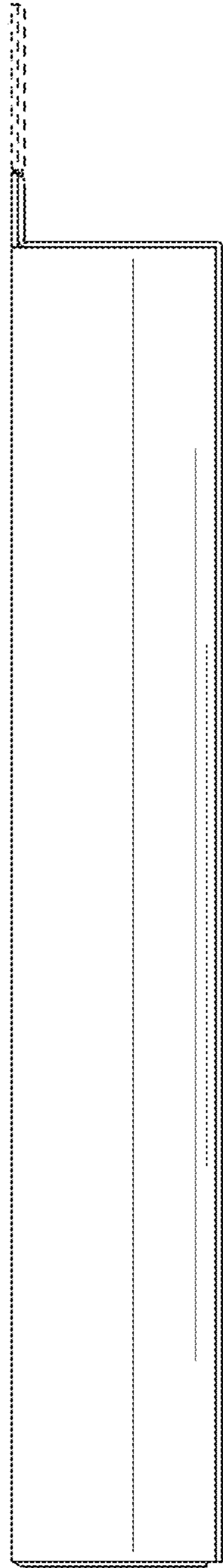


FIG. 5

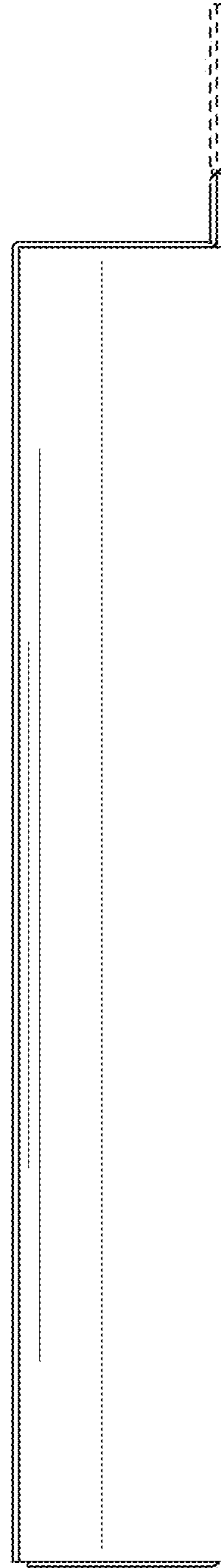


FIG. 6



FIG. 7



FIG. 8



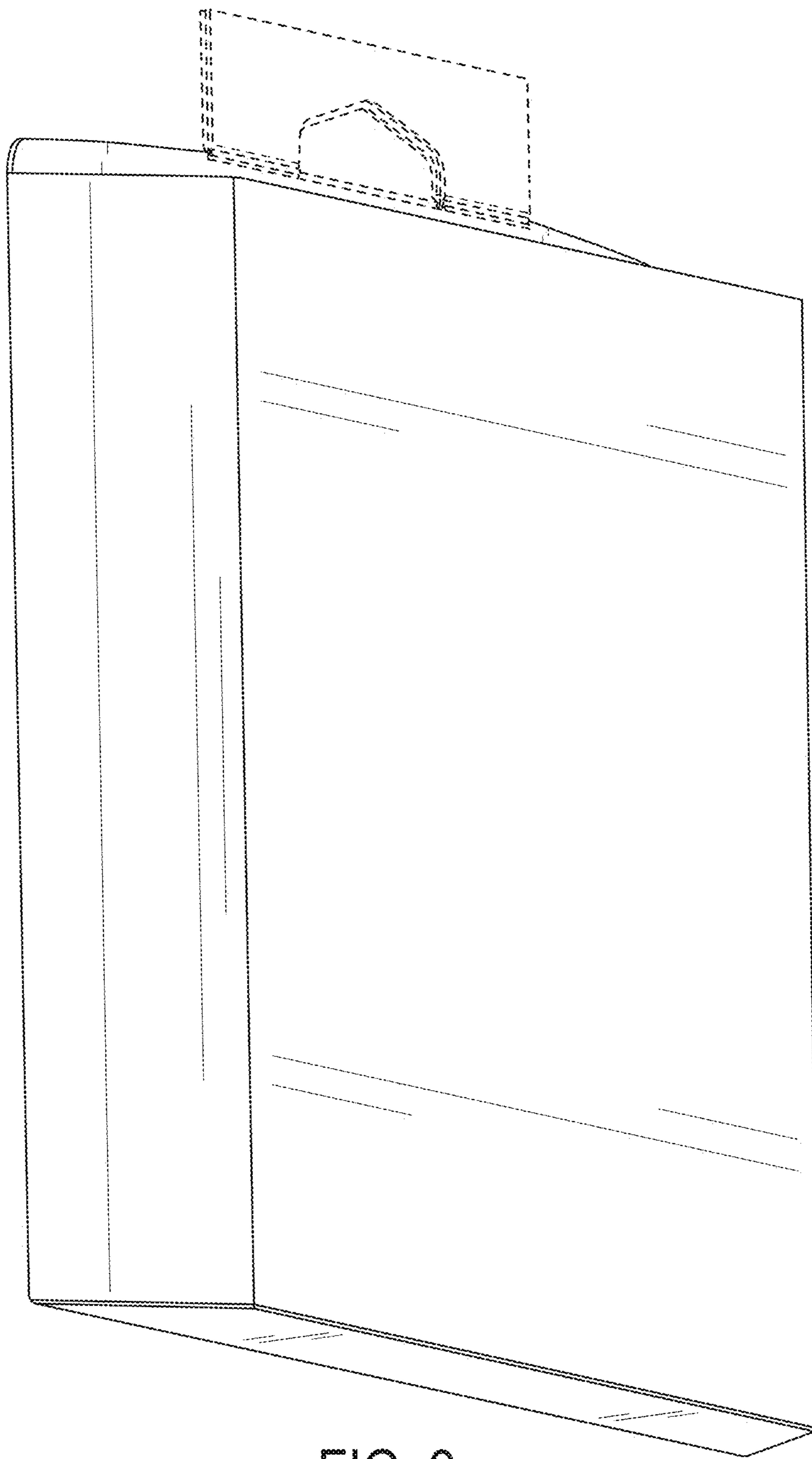


FIG. 9

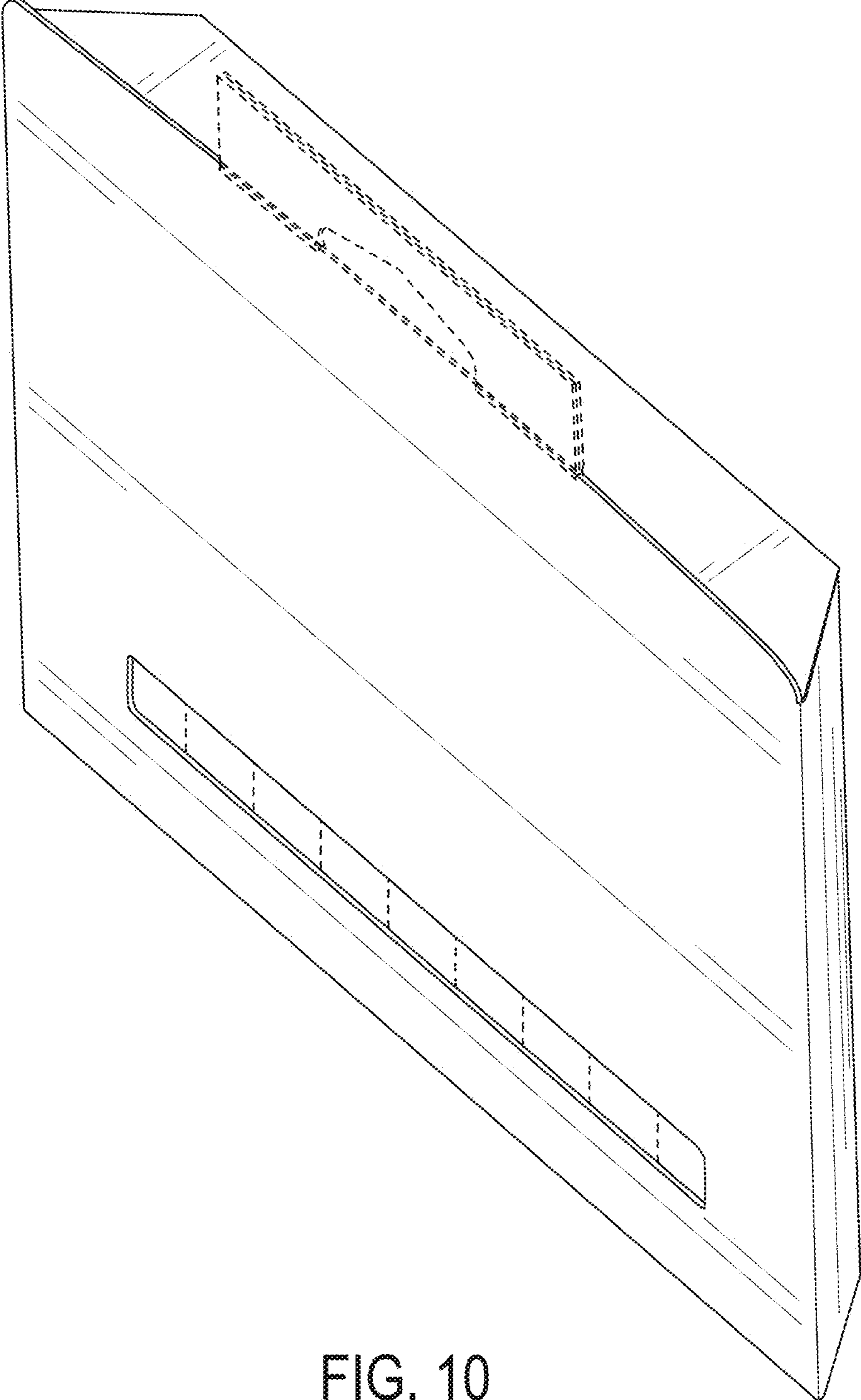


FIG. 10

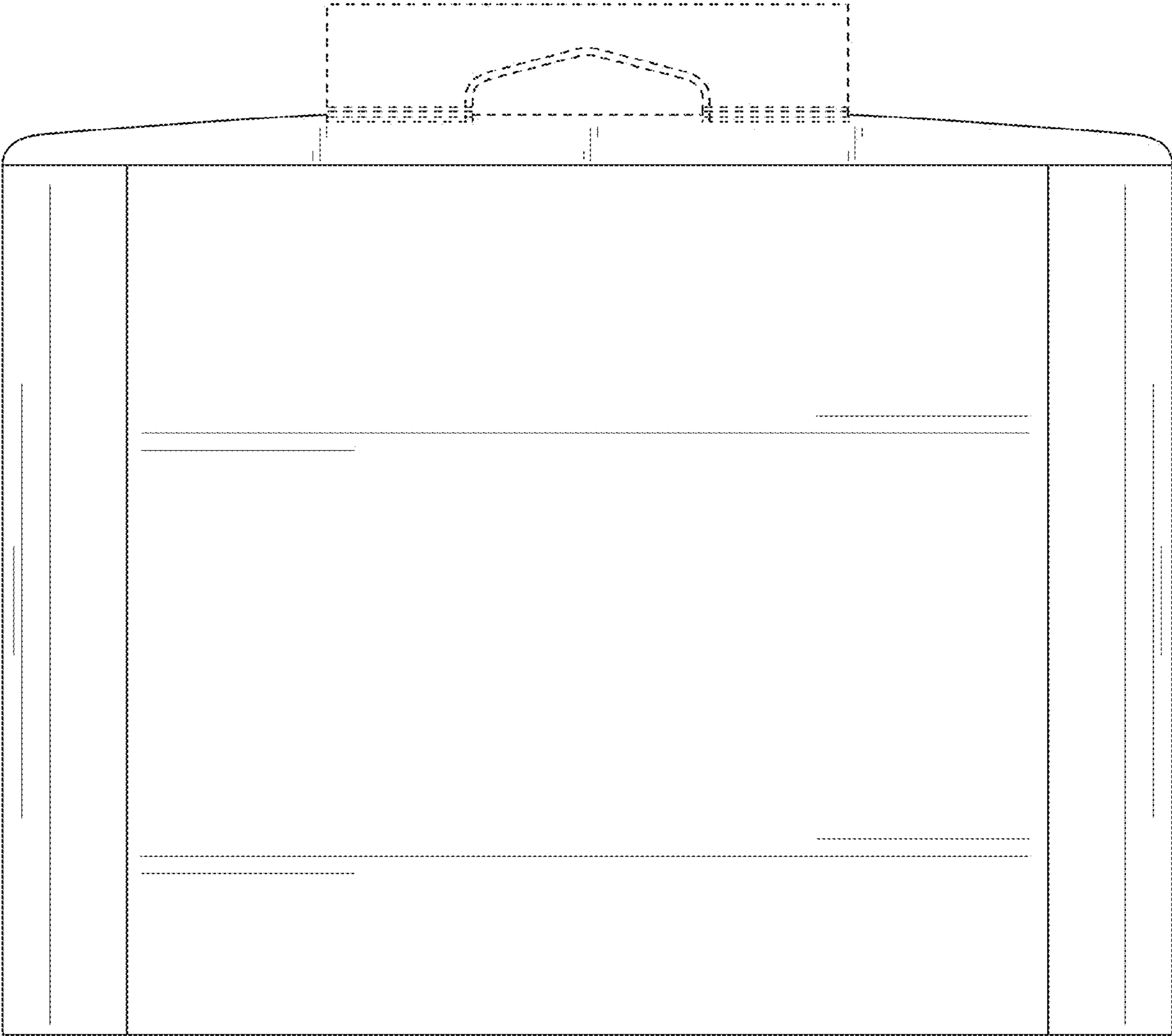


FIG. 11

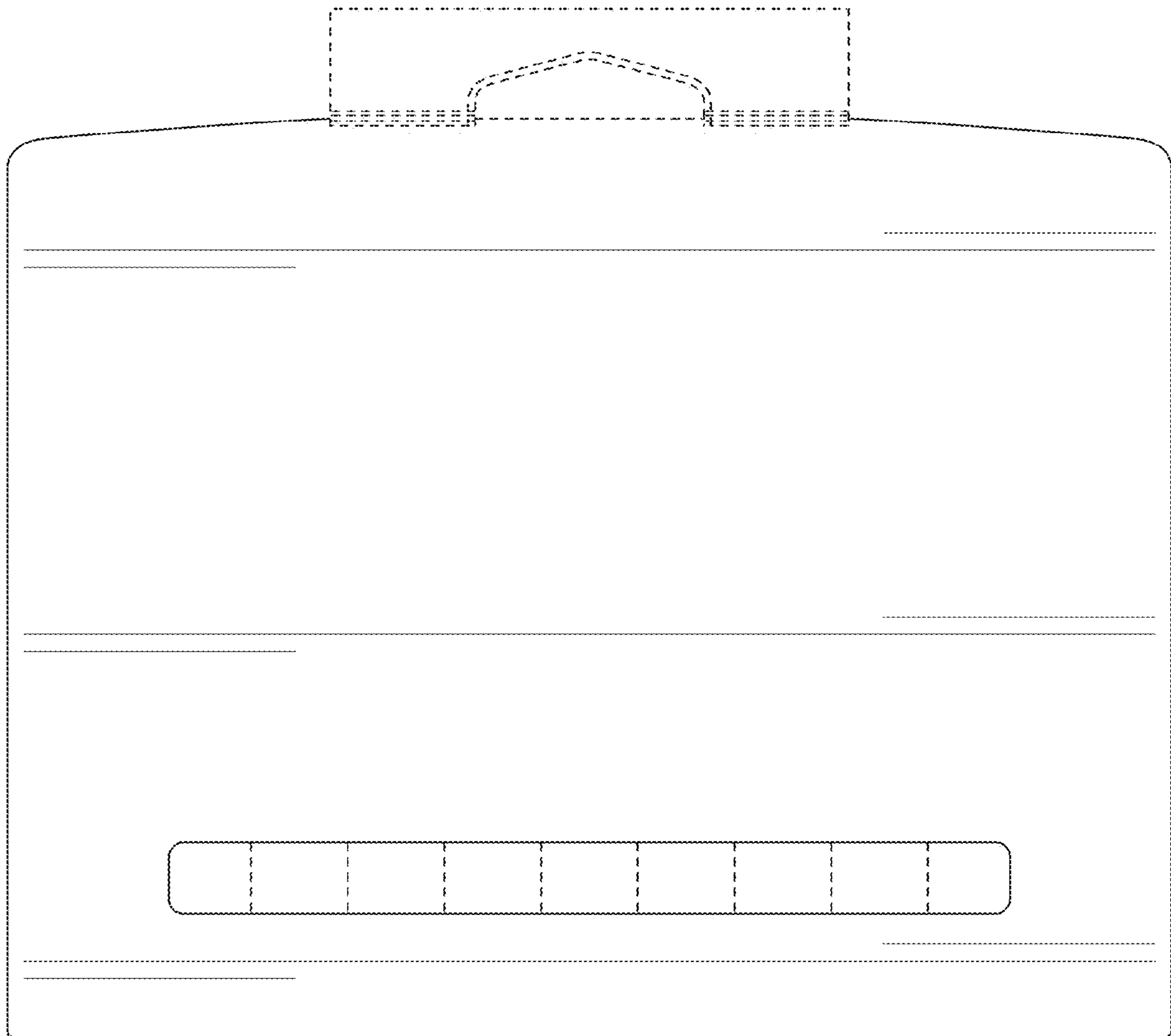


FIG. 12

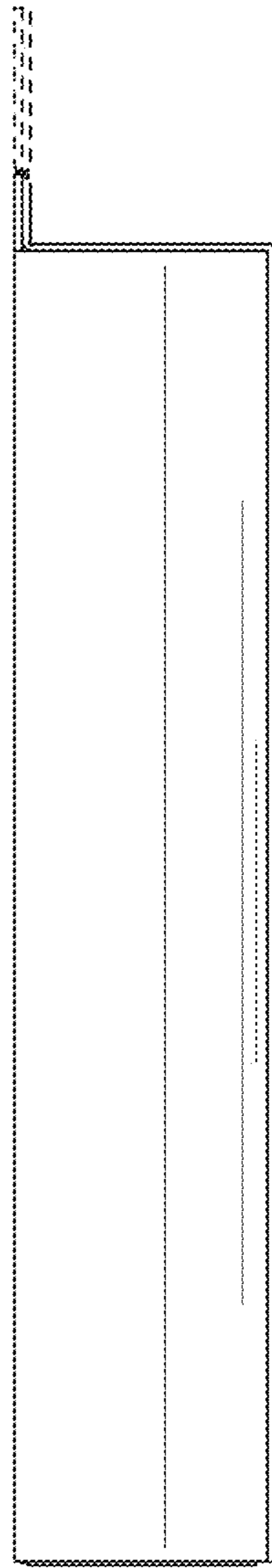


FIG. 13

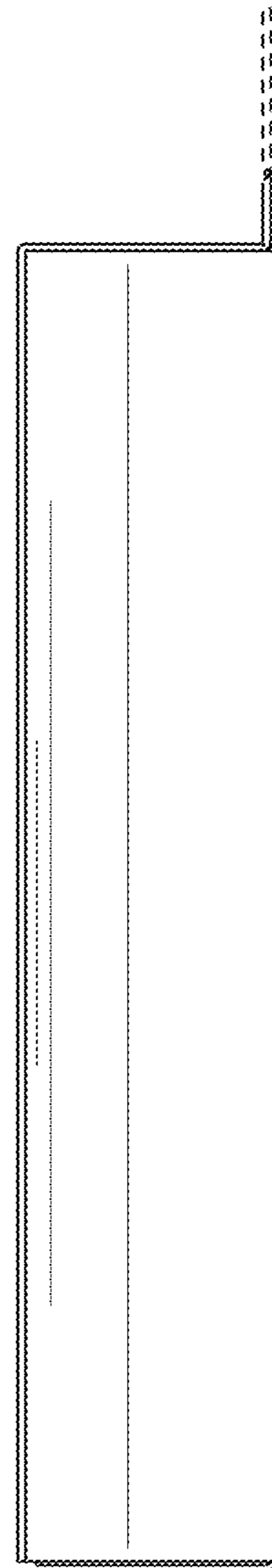


FIG. 14



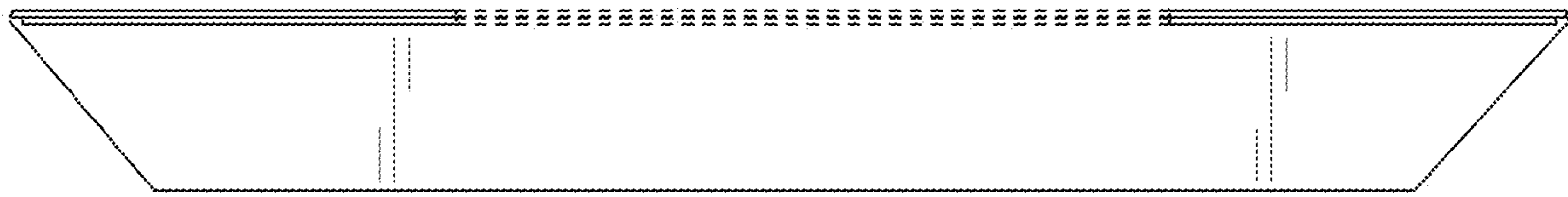


FIG. 15

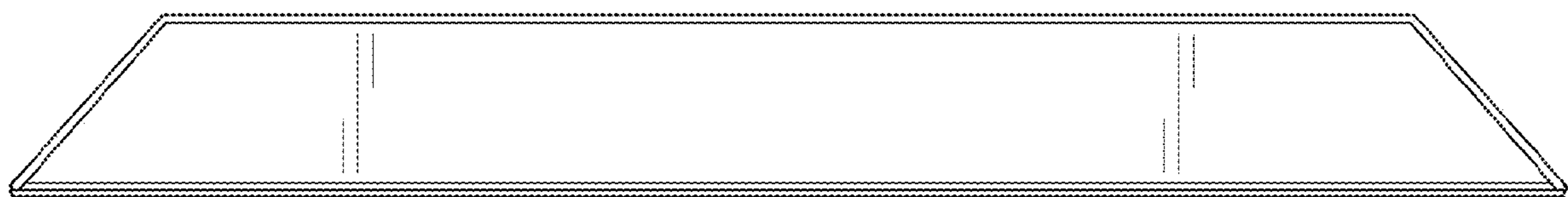


FIG. 16

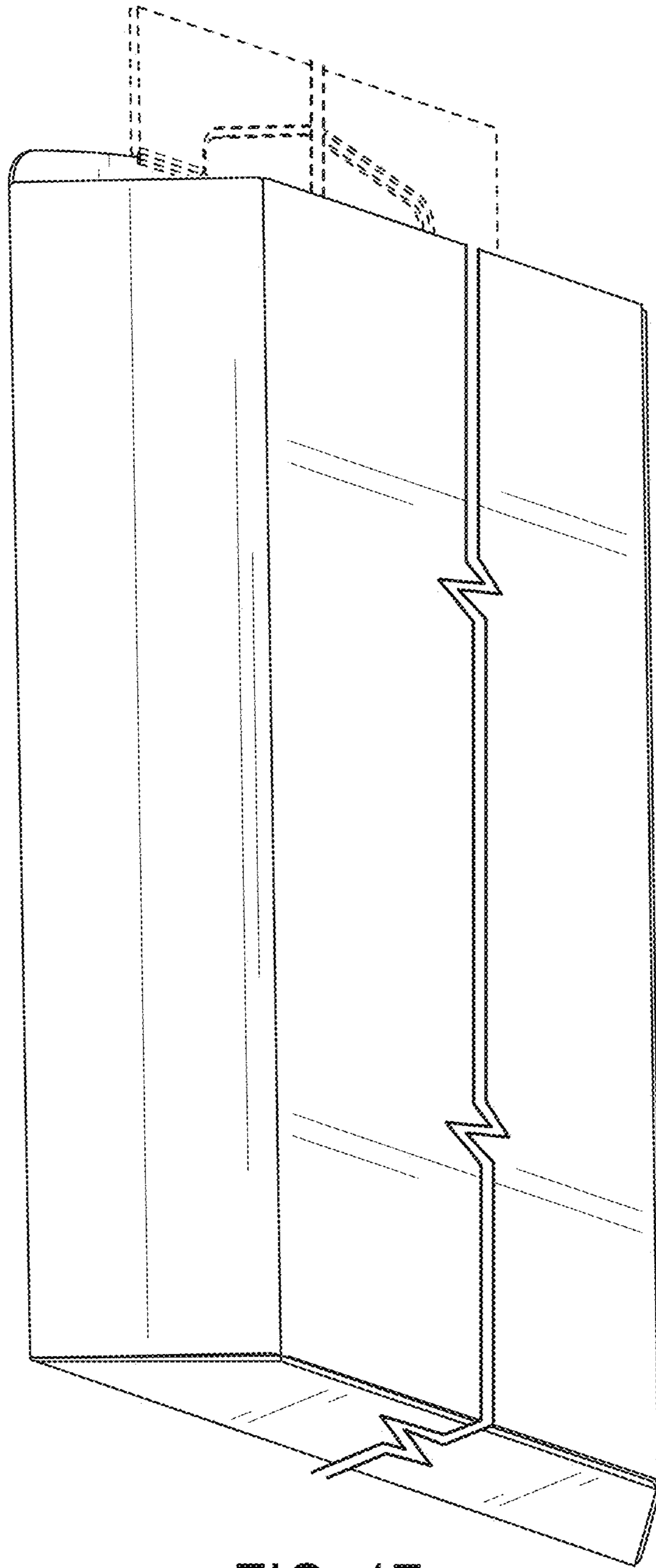


FIG. 17

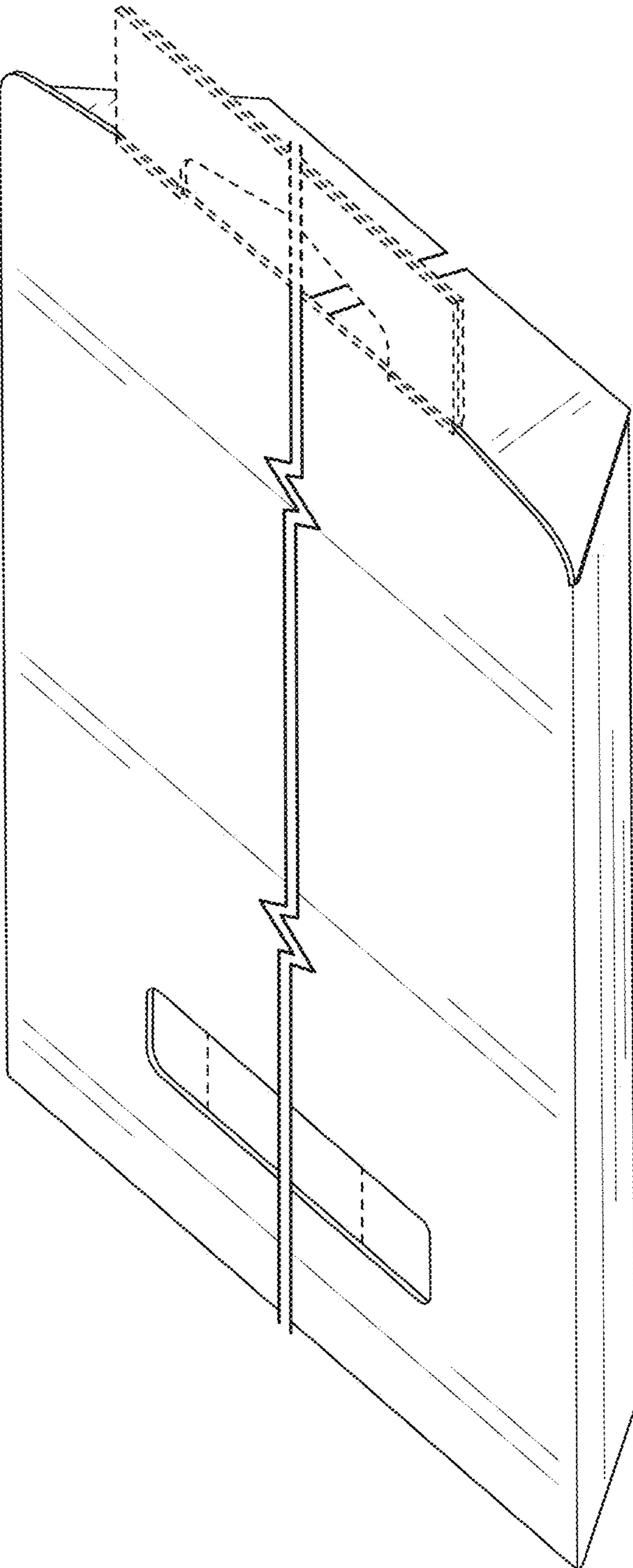


FIG. 18

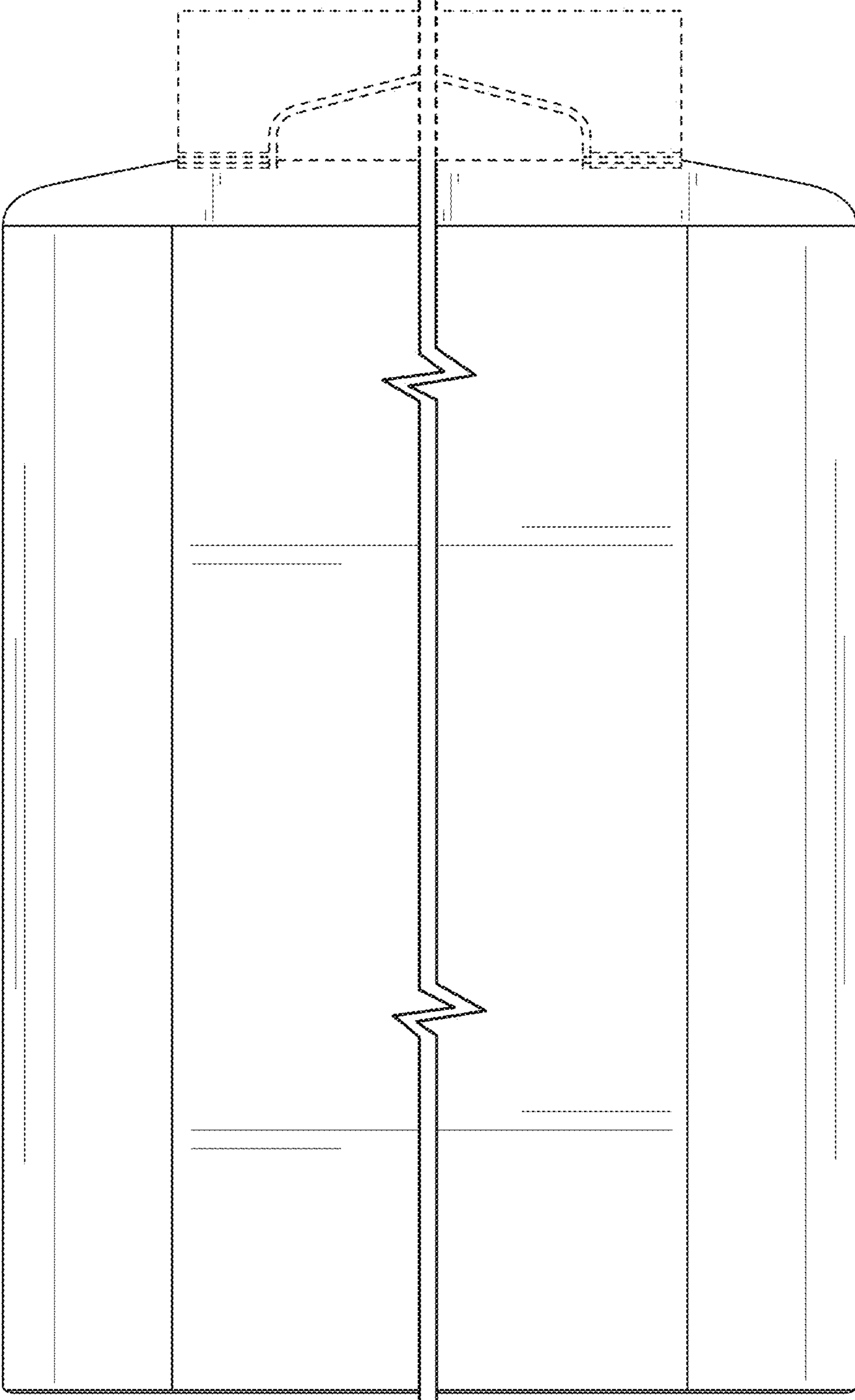


FIG. 19

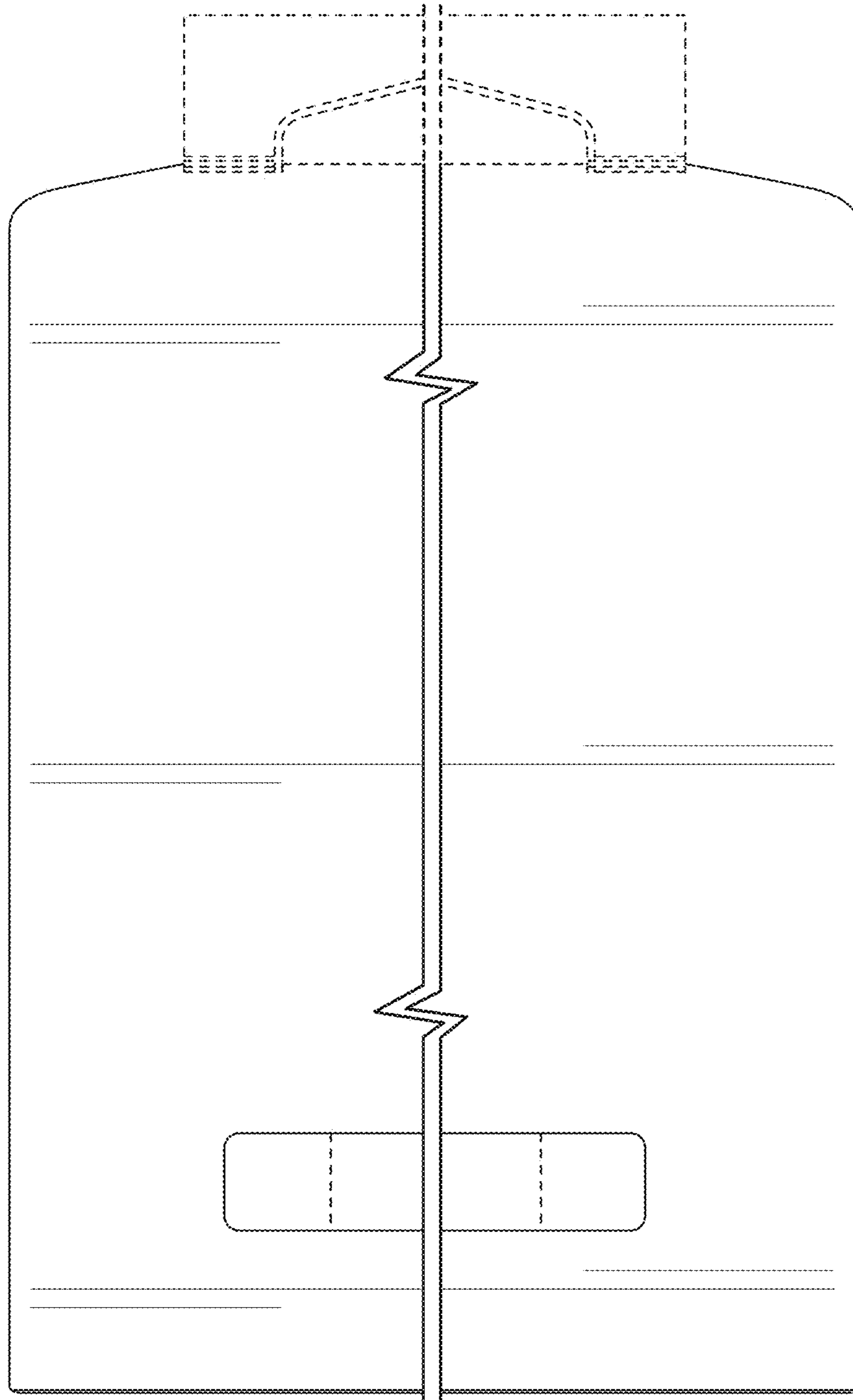


FIG. 20



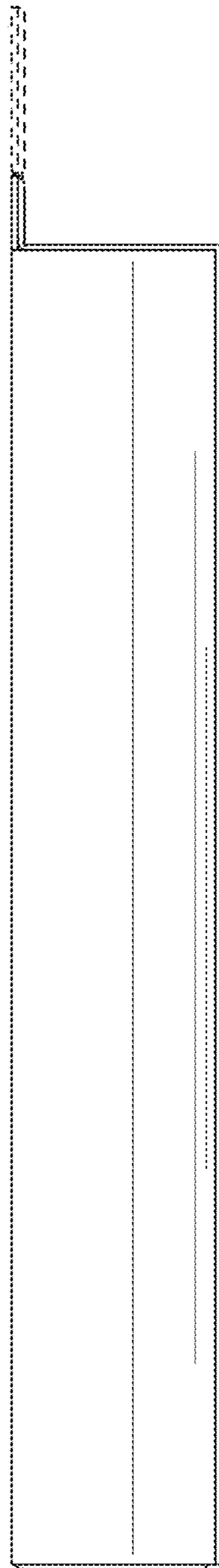


FIG. 21

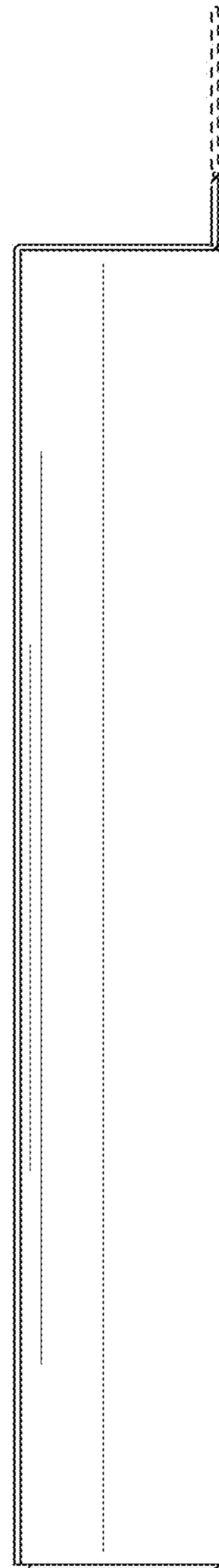


FIG. 22

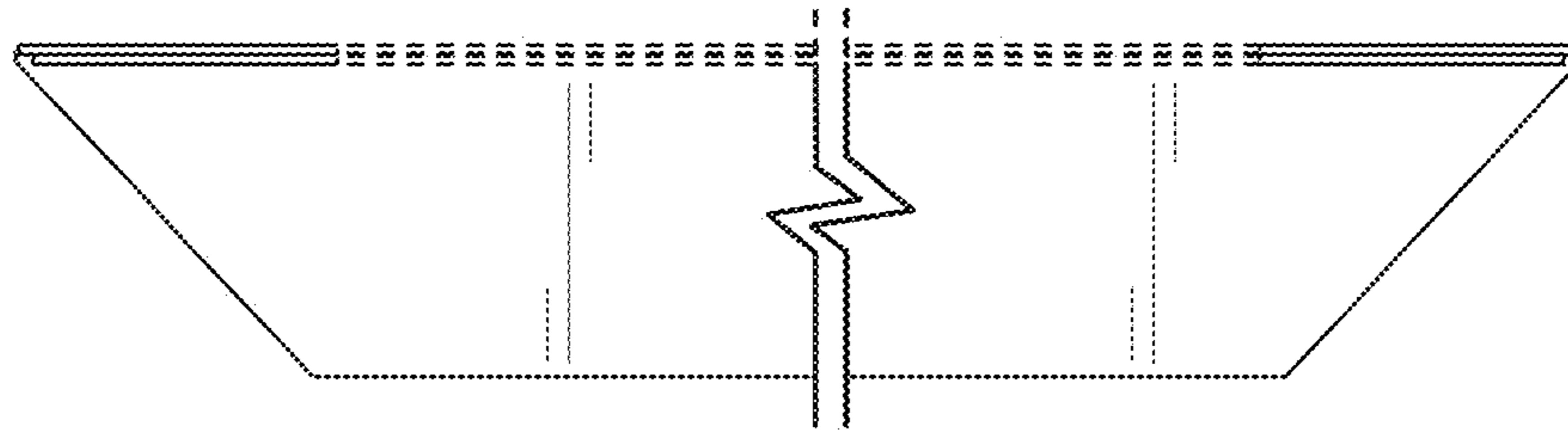


FIG. 23

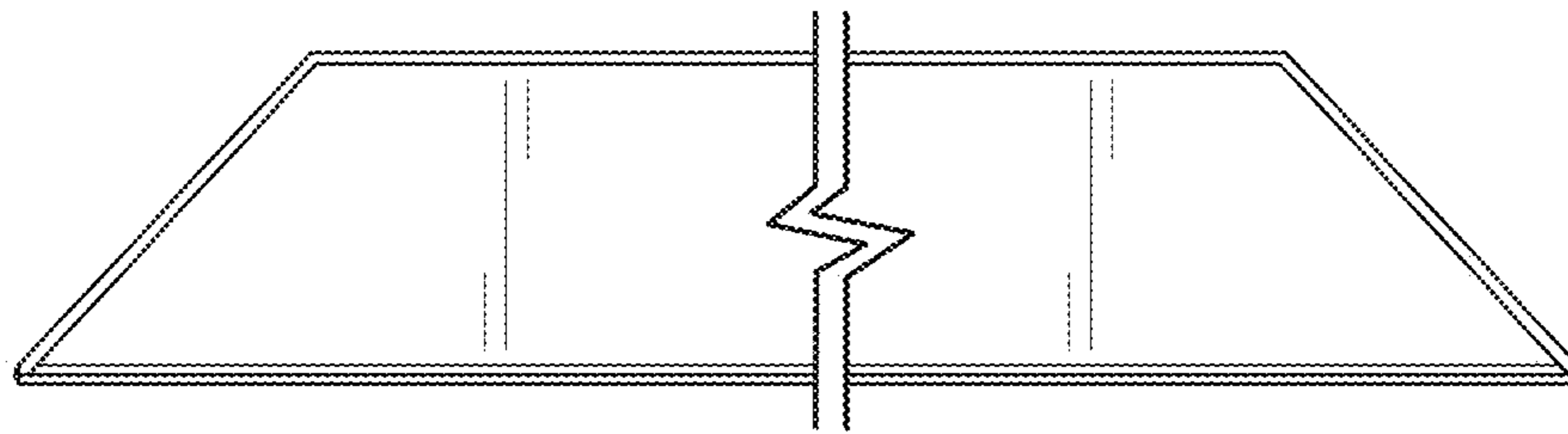


FIG. 24