



US00D909198S

(12) **United States Design Patent** (10) **Patent No.:** **US D909,198 S**
Baker et al. (45) **Date of Patent:** **** *Feb. 2, 2021**

(54) **BATTERY PACKAGING**

- (71) Applicant: **DURACELL U.S. OPERATIONS, INC.**, Wilmington, DE (US)
- (72) Inventors: **Kathleen Ann Baker**, Bethel, CT (US);
Tatiana Jouanneau, Bethel, CT (US);
Scott Stewart, Bethel, CT (US);
William Shackford, Bethel, CT (US);
Natalie Denny, Chicago, IL (US);
Michael Laforzezza, Pleasantville, NY (US);
Paul Laforzezza, Pleasantville, NY (US);
Cliff Fischer, Pleasantville, NY (US)
- (73) Assignee: **DURACELL U.S. OPERATIONS, INC.**, Wilmington, DE (US)

(*) Notice: This patent is subject to a terminal disclaimer.

(**) Term: **15 Years**

(21) Appl. No.: **29/673,558**

(22) Filed: **Dec. 15, 2018**

(51) **LOC (13) Cl.** **09-03**

(52) **U.S. Cl.**

USPC **D9/430; D9/415; D9/418**

(58) **Field of Classification Search**

USPC D9/414-423, 430-433, 434, 456, 457,
D9/600, 652, 711, 713, 721-722, 737,

(Continued)

(56) **References Cited**

U.S. PATENT DOCUMENTS

D224,290 S * 7/1972 Robertson D9/735
D398,844 S 9/1998 Oberloier

(Continued)

FOREIGN PATENT DOCUMENTS

JP 282273 6/1968
JP 1531223 S 8/2015

OTHER PUBLICATIONS

Duracell Optimum 1.5V Alkaline AA Batteries. [online] Retrieved Dec. 20, 2019 from URL: https://www.amazon.com/Duracell-Optimum-1-5V-Alkaline-Batteries/dp/B07RTNB65C?ref_=ast_sto_dp&th=1&psc=1.*

(Continued)

Primary Examiner — Vy N Koenig
(74) *Attorney, Agent, or Firm* — Marshall, Gerstein & Borun LLP

(57) **CLAIM**

The ornamental design for battery packaging, as shown and described.

DESCRIPTION

FIG. 1 is a bottom, left, back perspective view of a first embodiment of a battery packaging according to our new ornamental design;

FIG. 2 is a top, left, front perspective view thereof;

FIG. 3 is a back view thereof;

FIG. 4 is a front view thereof;

FIG. 5 is a left-side view thereof;

FIG. 6 is a right-side view thereof;

FIG. 7 is a top view thereof; and

FIG. 8 is a bottom view thereof.

FIG. 9 is a bottom, left, back perspective view of a second embodiment of a battery packaging according to our new ornamental design;

FIG. 10 is top, left, front perspective view thereof;

FIG. 11 is a back view thereof;

FIG. 12 is a front view thereof;

FIG. 13 is a left-side view thereof;

FIG. 14 is a right-side view thereof;

FIG. 15 is a top view thereof; and

FIG. 16 is a bottom view thereof.

FIG. 17 is a bottom, left, back perspective view of a third embodiment of a battery packaging according to our new ornamental design;

FIG. 18 top, left, front perspective view thereof;

FIG. 19 is a back view thereof;

FIG. 20 is a front view thereof;

(Continued)

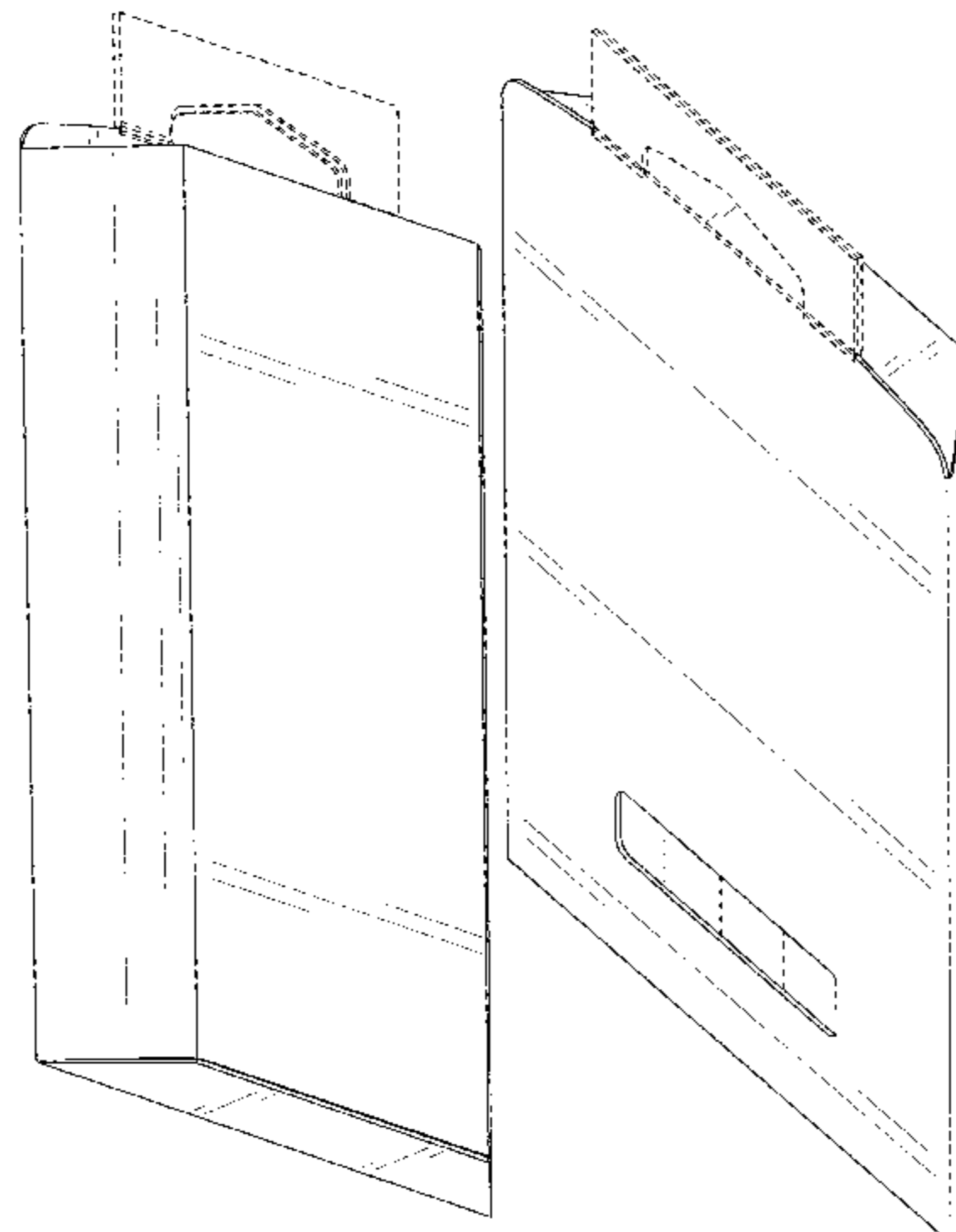


FIG. 21 is a left-side view thereof;
 FIG. 22 is a right-side view thereof;
 FIG. 23 is a top view thereof; and,
 FIG. 24 is a bottom view thereof.

The broken lines shown in the Figures represent environmental subject matter and portions of the battery packaging that form no part of the claimed design.

FIGS. 17-24 are shown with a symbolic break in the battery packaging width. The appearance of any portion of the article between the break lines forms no part of the claimed design.

1 Claim, 18 Drawing Sheets

(58) **Field of Classification Search**

USPC D9/756, 758, 759, 760; D20/10, 22, 27,
 D20/40, 42
 CPC ... B65D 5/00; B65D 5/02; B65D 5/18; B65D
 5/20

See application file for complete search history.

(56) **References Cited**

U.S. PATENT DOCUMENTS

D408,732	S	4/1999	Gaffney et al.	
D423,926	S *	5/2000	Kellar	D9/415
D432,009	S	10/2000	Pirro et al.	
D432,908	S	10/2000	Pirro et al.	
6,308,832	B1	10/2001	Pirro et al.	
D450,239	S	11/2001	Otto	
D451,014	S	11/2001	Otto	
D451,382	S	12/2001	Adkins	
D470,047	S	2/2003	Lee et al.	
D479,126	S	9/2003	Kumakura et al.	
D480,964	S	10/2003	Lee	
D506,925	S	7/2005	Plumer	
6,918,532	B2	7/2005	Sierra-Gomez et al.	
D516,419	S *	3/2006	Kellar	D9/415
D520,356	S	5/2006	Kellar et al.	
D544,788	S	6/2007	Brittain	
D593,854	S	6/2009	Casanova et al.	
D631,371	S	1/2011	Borgheim et al.	
D635,468	S *	4/2011	Buitrago	D9/711

D635,469	S *	4/2011	Buitrago	D9/711
D646,561	S	10/2011	Pugh	
8,066,125	B2	11/2011	Kang et al.	
8,066,177	B2 *	11/2011	Tanaka	B65D 5/18 229/120.03
8,114,451	B2	2/2012	Sierra-Gomez et al.	
D668,532	S *	10/2012	Bowler	D9/415
D689,374	S	9/2013	Logue	
D695,625	S	12/2013	Limback	
D697,398	S	1/2014	Guevara-Ludt	
D699,107	S *	2/2014	Streich	D9/457
D715,637	S	10/2014	Caminada	
D723,365	S	3/2015	Mitchell et al.	
D724,425	S	3/2015	Atkinson	
D730,169	S	5/2015	Atkinson	
D731,883	S	6/2015	Davidson et al.	
D739,227	S	9/2015	Mitchell et al.	
D742,735	S	11/2015	Fetman	
D767,985	S	10/2016	Schouten	
D793,222	S *	8/2017	Boyea	D9/414
9,809,368	B2	11/2017	Huffer	
D805,890	S	12/2017	Hong	
D813,028	S	3/2018	Saito et al.	
9,950,840	B2	4/2018	Radomyselski et al.	
D818,816	S	5/2018	Baker et al.	
D818,817	S	5/2018	Baker et al.	
D818,818	S	5/2018	Debnath et al.	
D819,437	S	6/2018	Baker et al.	
D820,674	S	6/2018	Yuan	
D822,479	S	7/2018	Baker et al.	
D827,423	S	9/2018	DeMaere et al.	
D827,424	S	9/2018	DeMaere et al.	
D833,270	S	11/2018	Fath et al.	
D844,428	S	4/2019	Stadelmaier et al.	
D859,141	S	9/2019	Baker et al.	
D869,268	S *	12/2019	Baker	D9/415
2016/0137375	A1	5/2016	Huffer	

OTHER PUBLICATIONS

U.S. Appl. No. 29/673,556, Battery Packaging, Baker et al., filed Dec. 14, 2018.
 U.S. Appl. No. 29/673,557, Battery Packaging, Baker et al., filed Dec. 14, 2018.
 U.S. Appl. No. 29/673,559, Battery Packaging, Baker et al., filed Dec. 15, 2018.

* cited by examiner

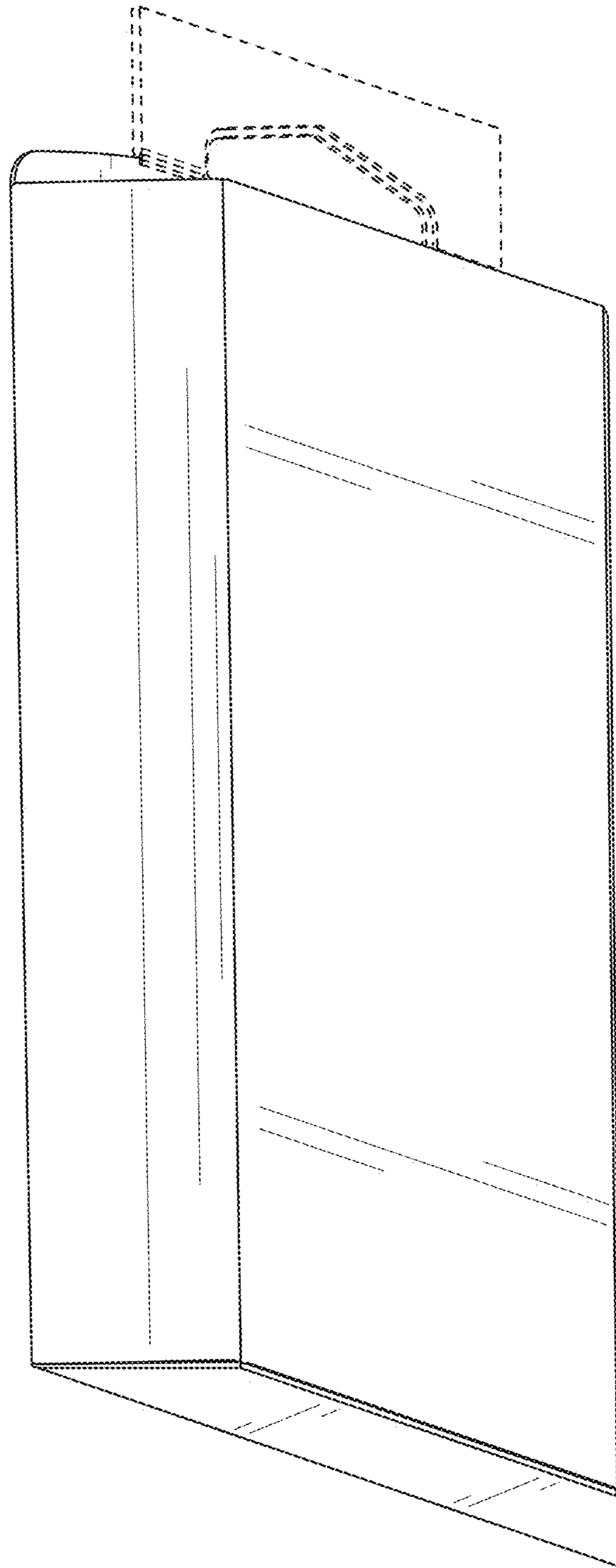


FIG. 1

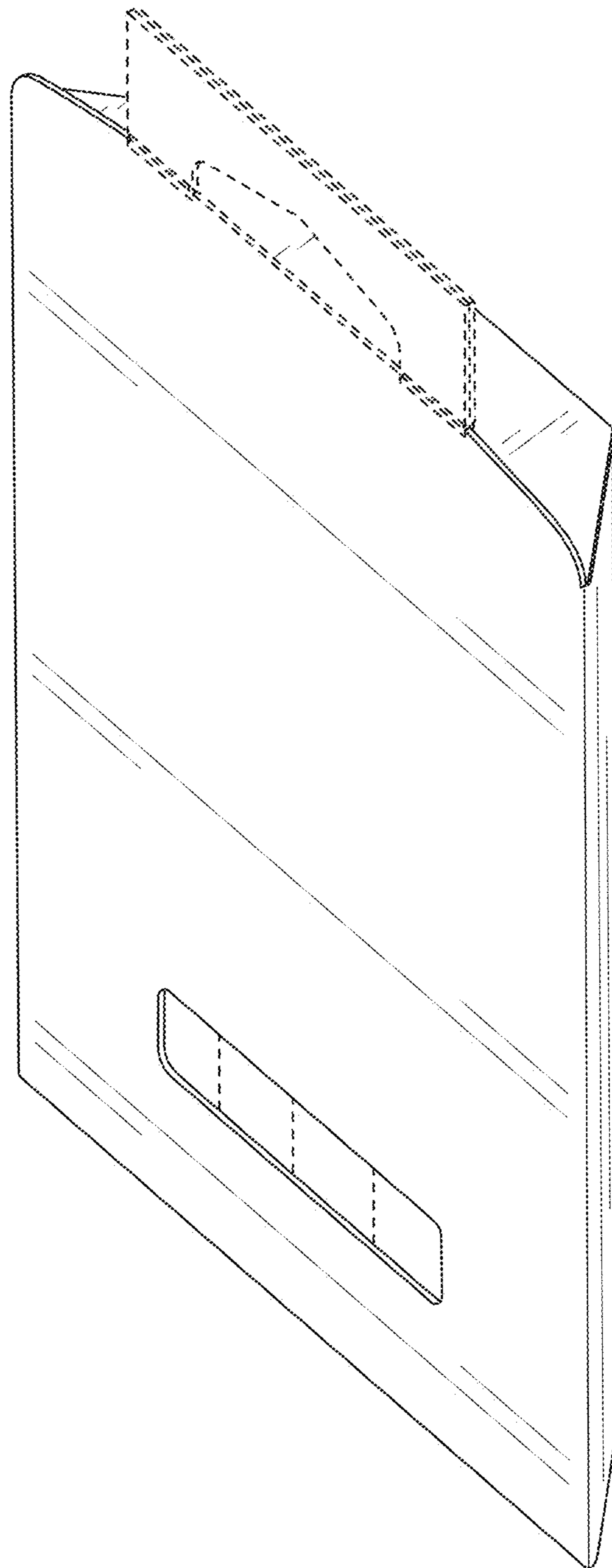


FIG. 2

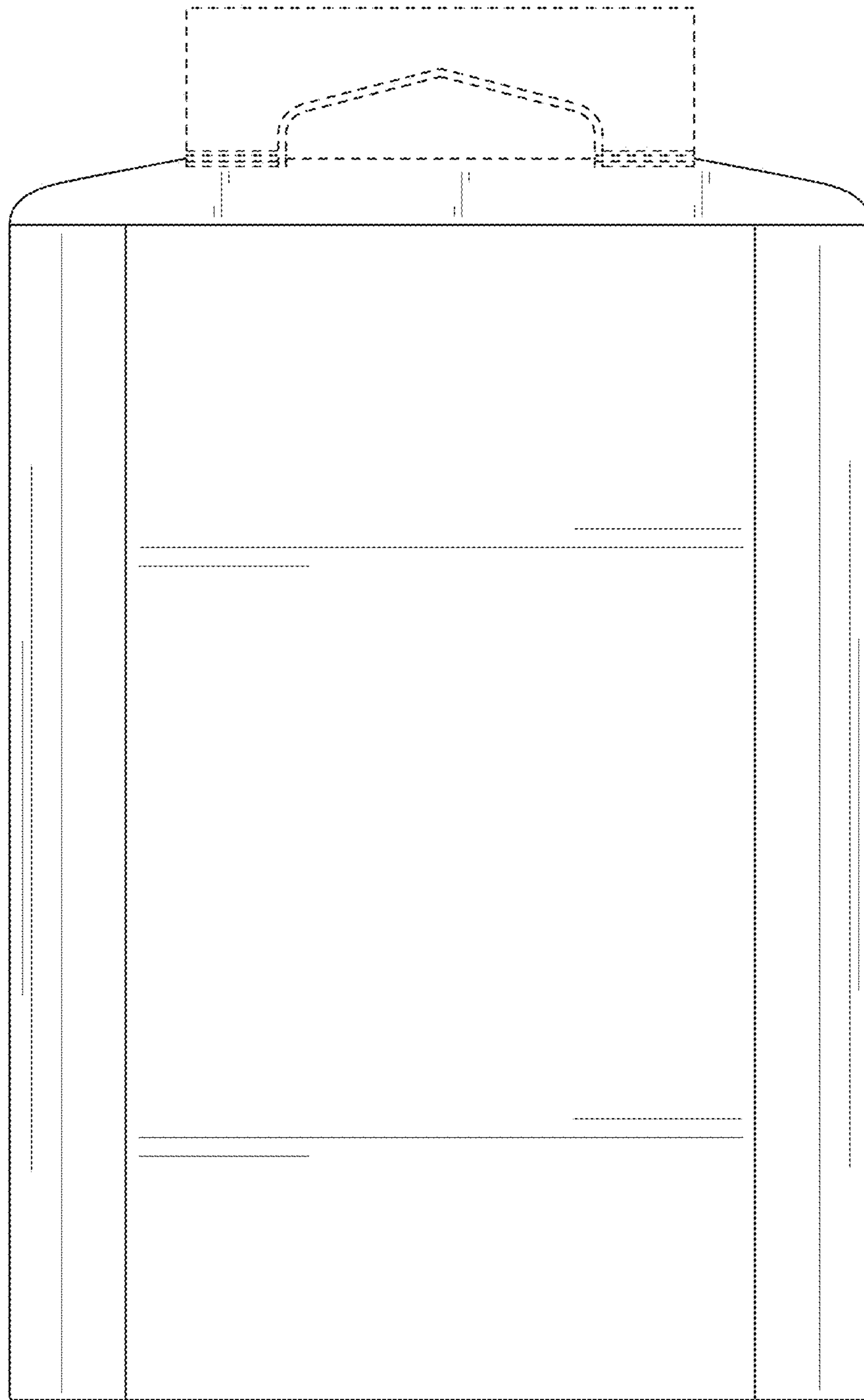


FIG. 3

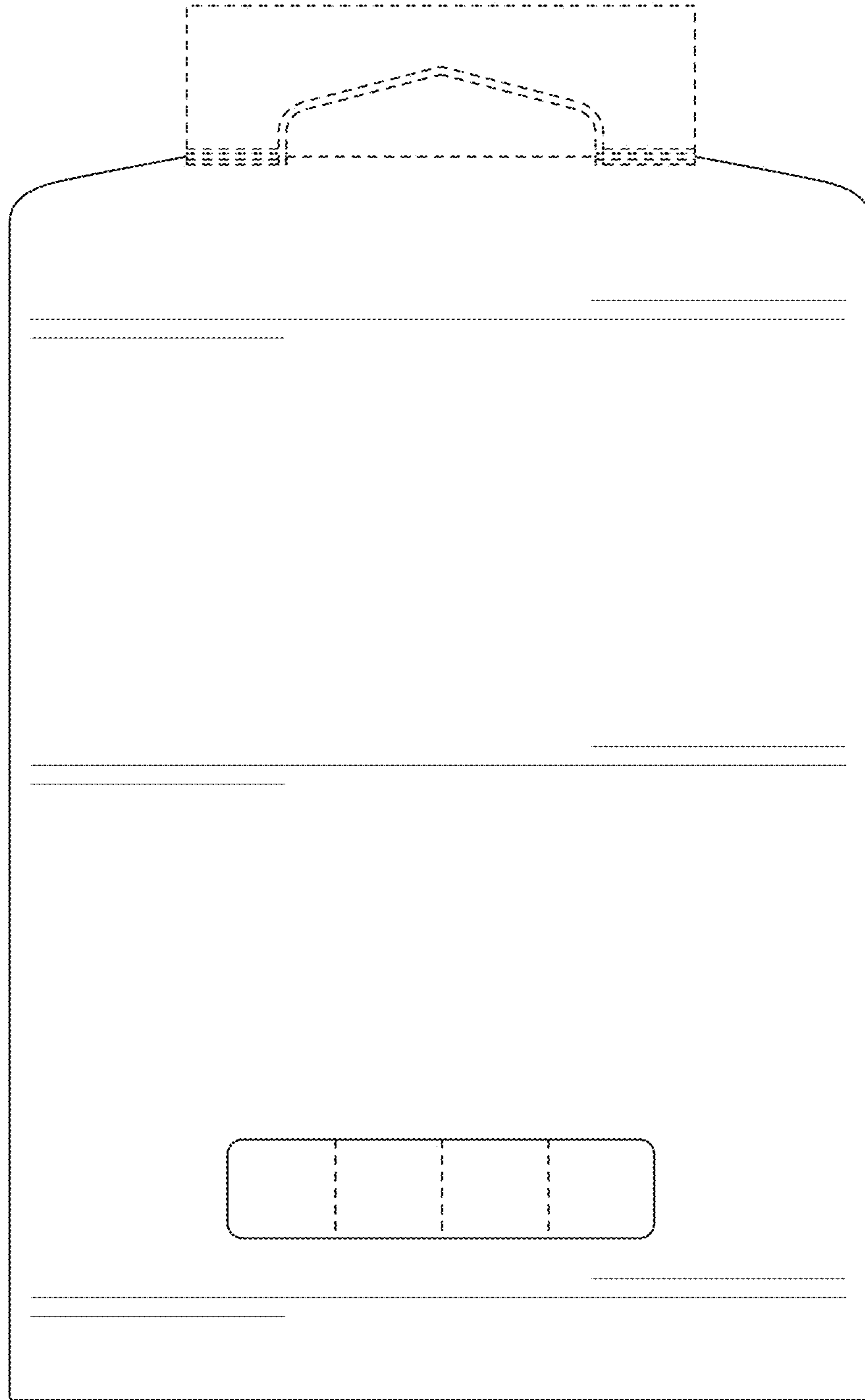


FIG. 4

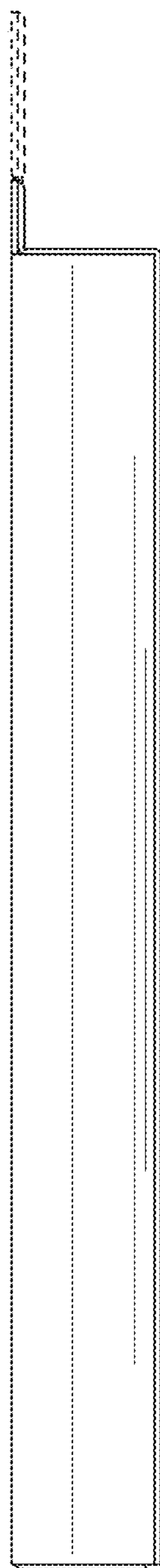


FIG. 5

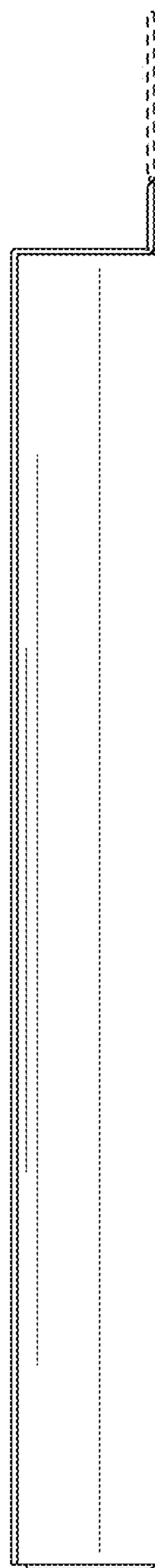


FIG. 6

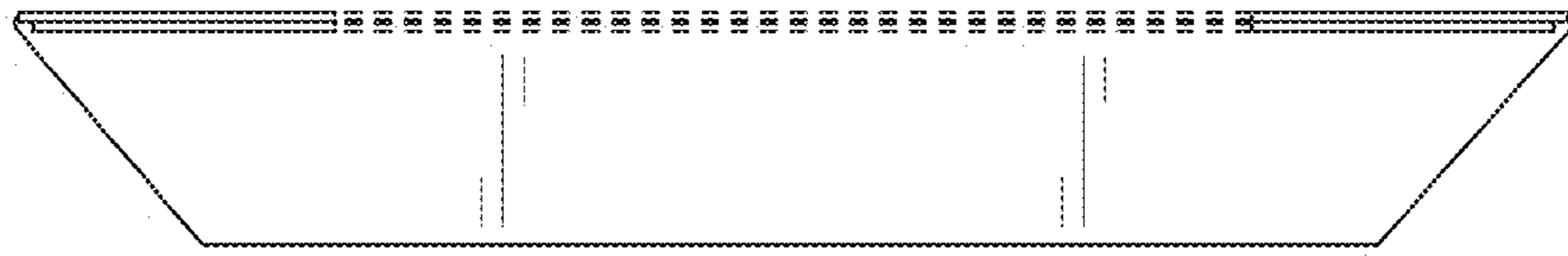


FIG. 7



FIG. 8

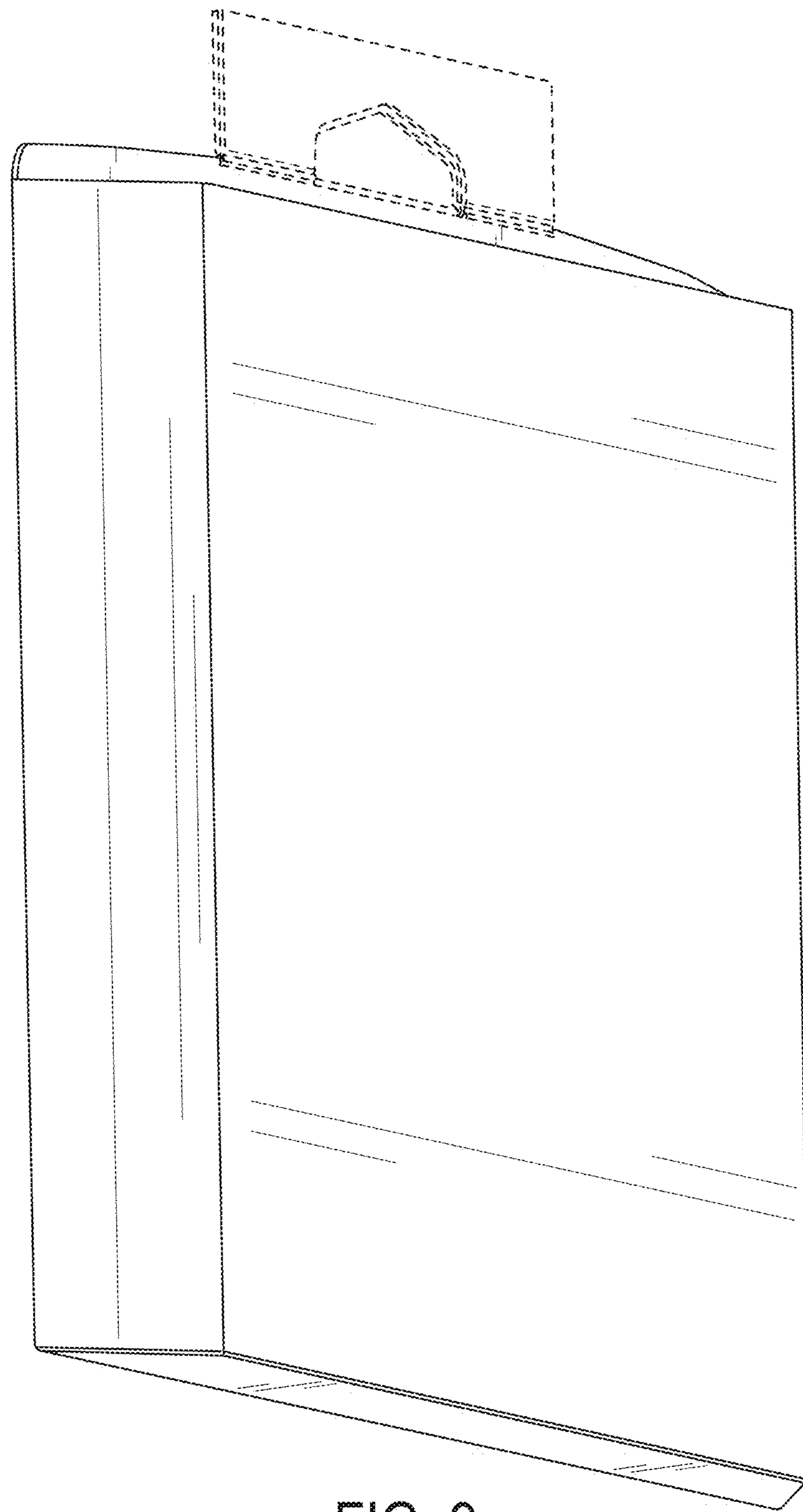


FIG. 9

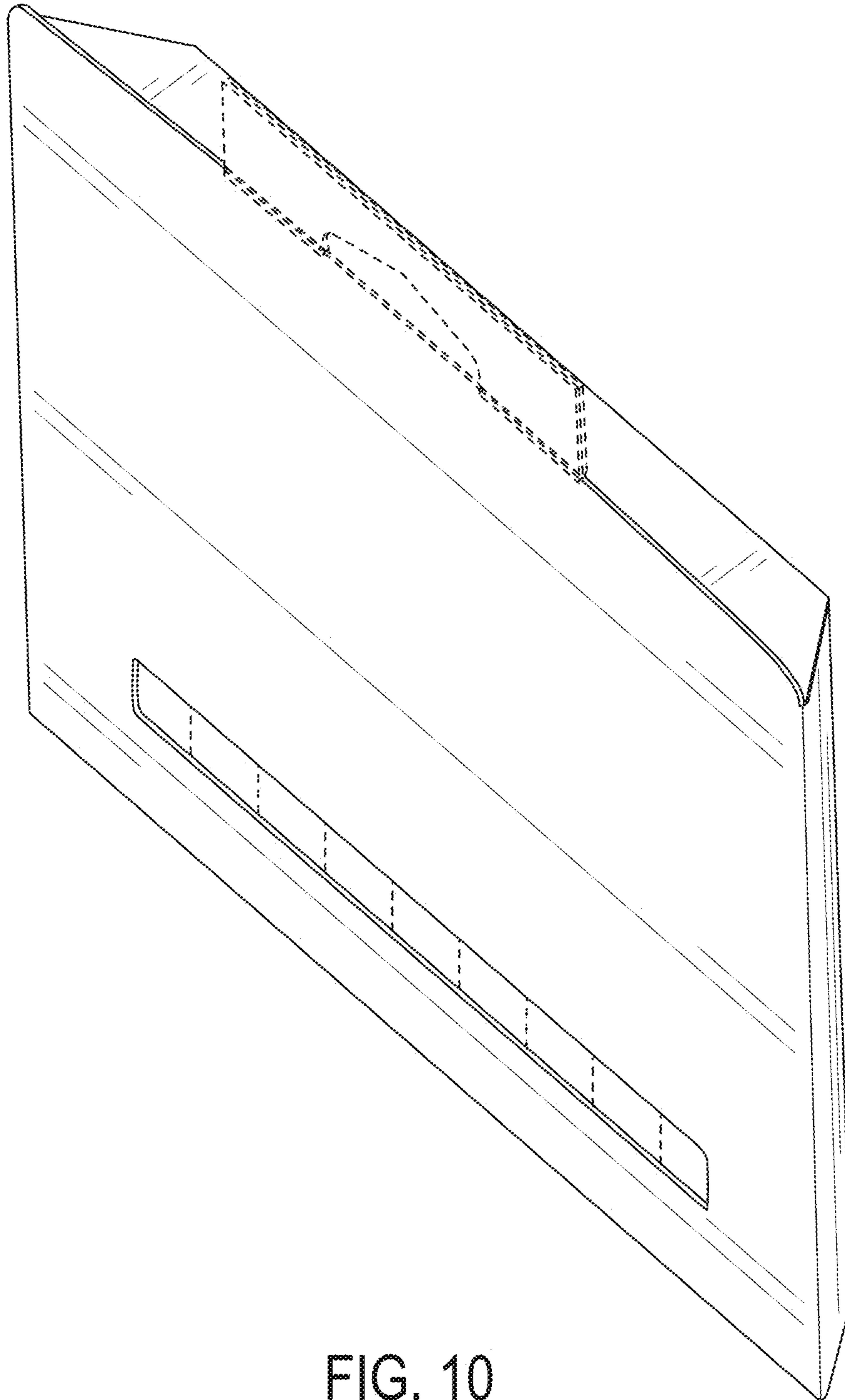


FIG. 10

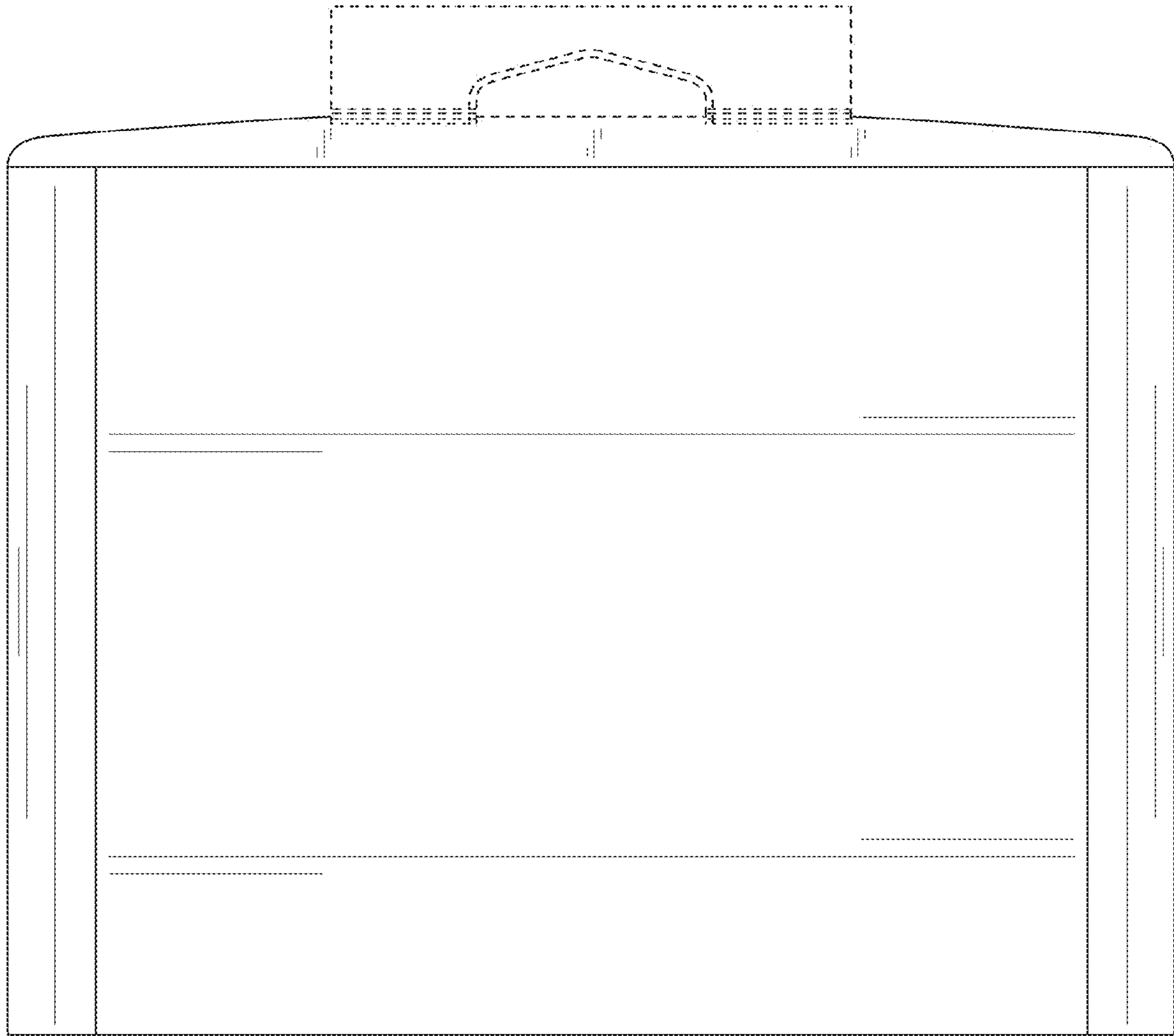


FIG. 11

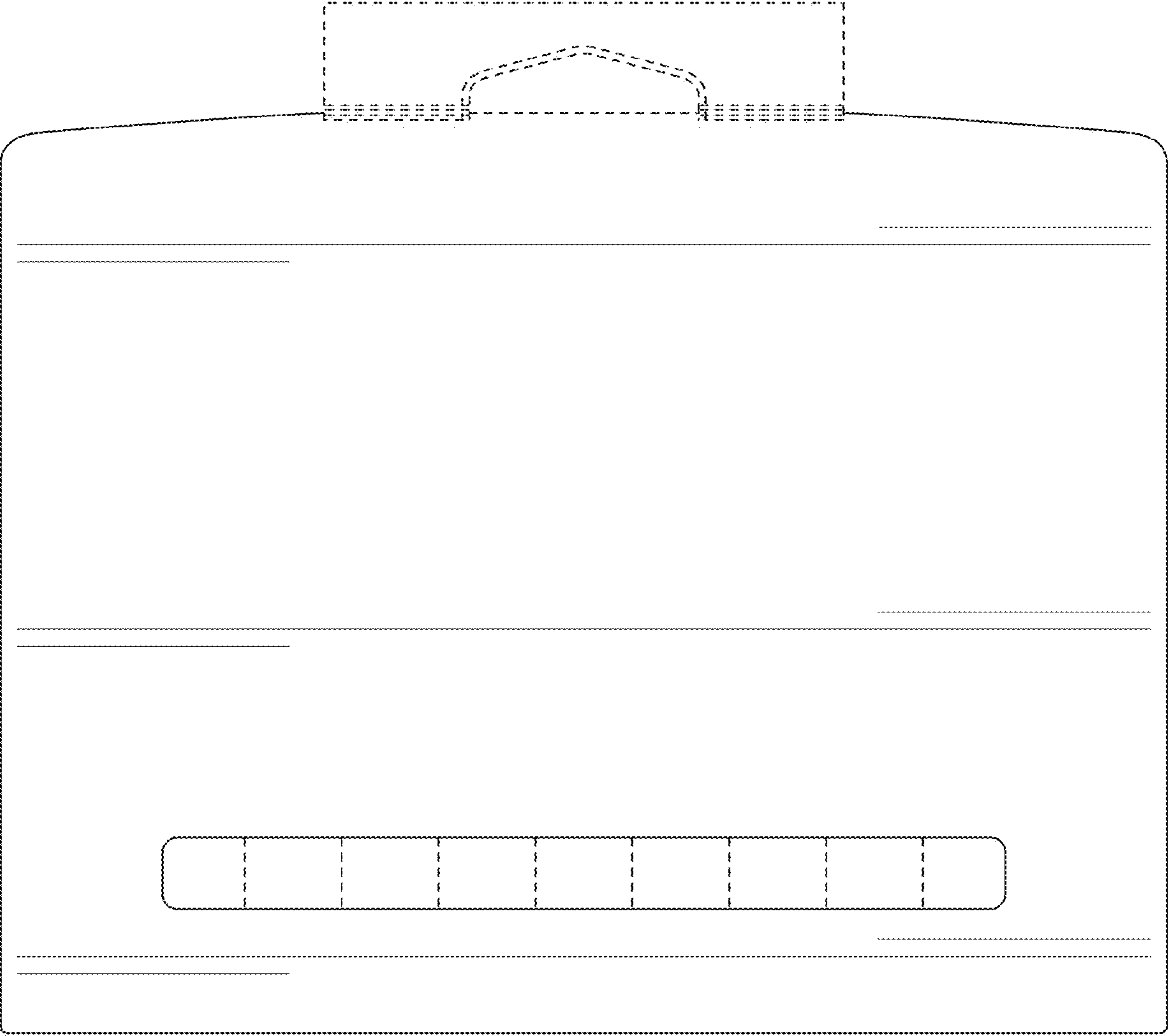


FIG. 12

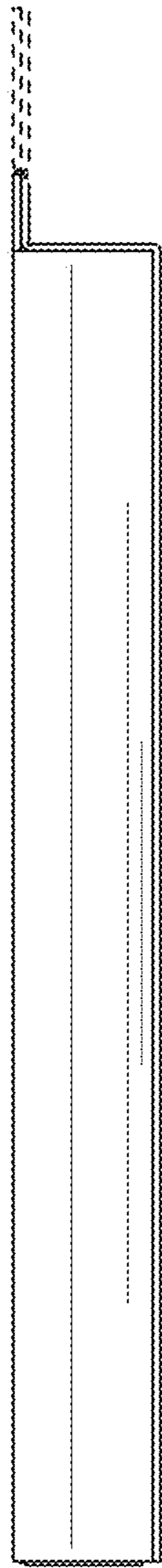


FIG. 13

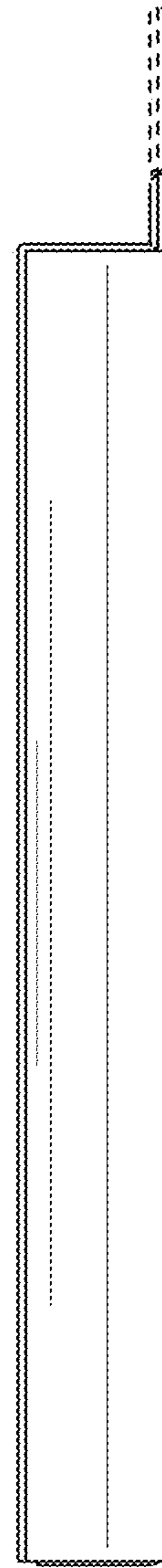


FIG. 14



FIG. 15



FIG. 16

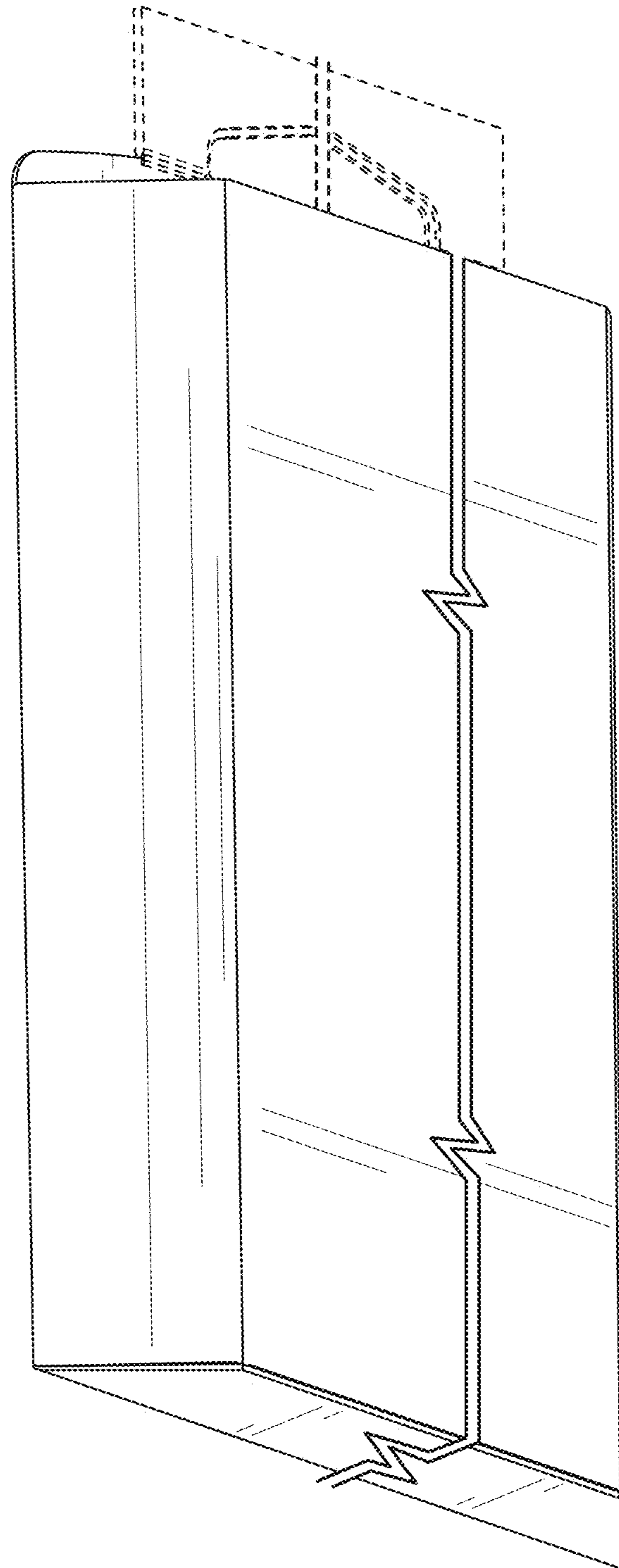


FIG. 17

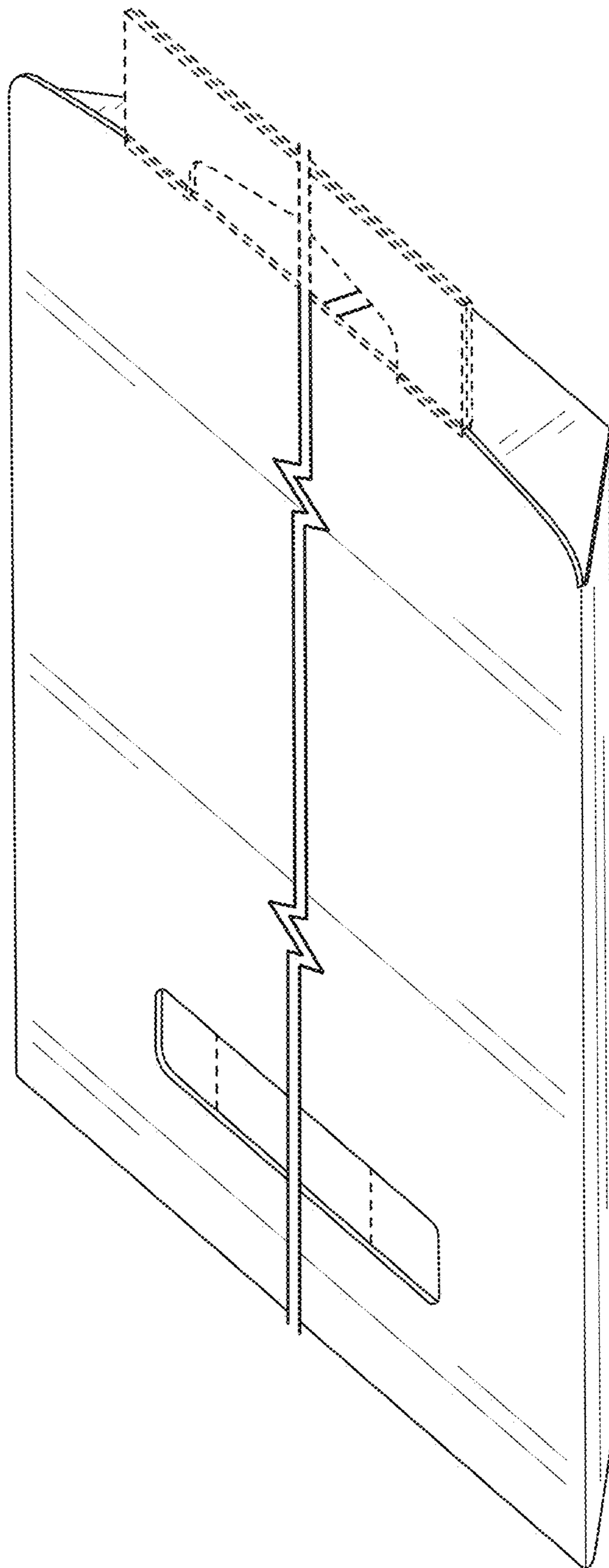


FIG. 18

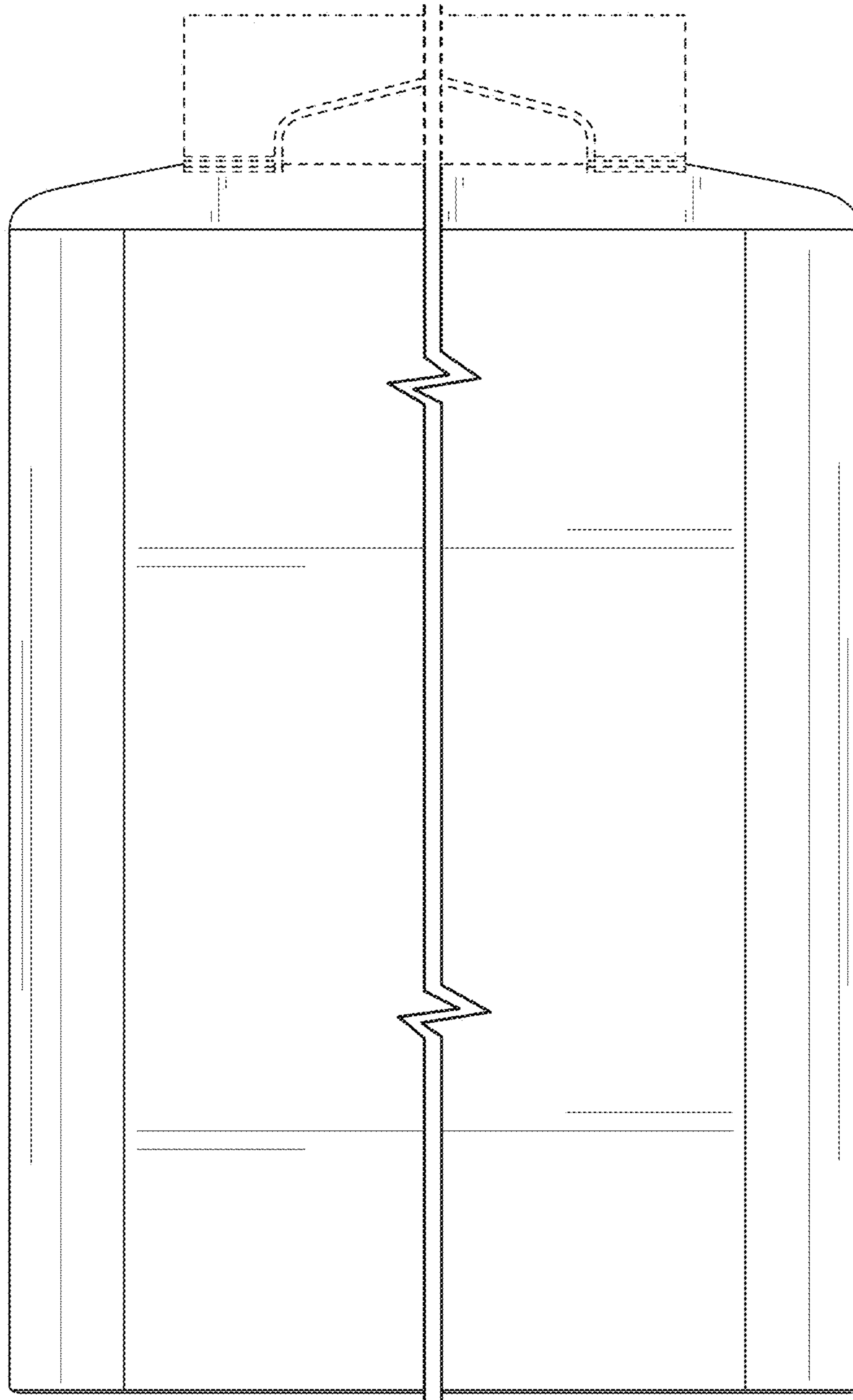


FIG. 19

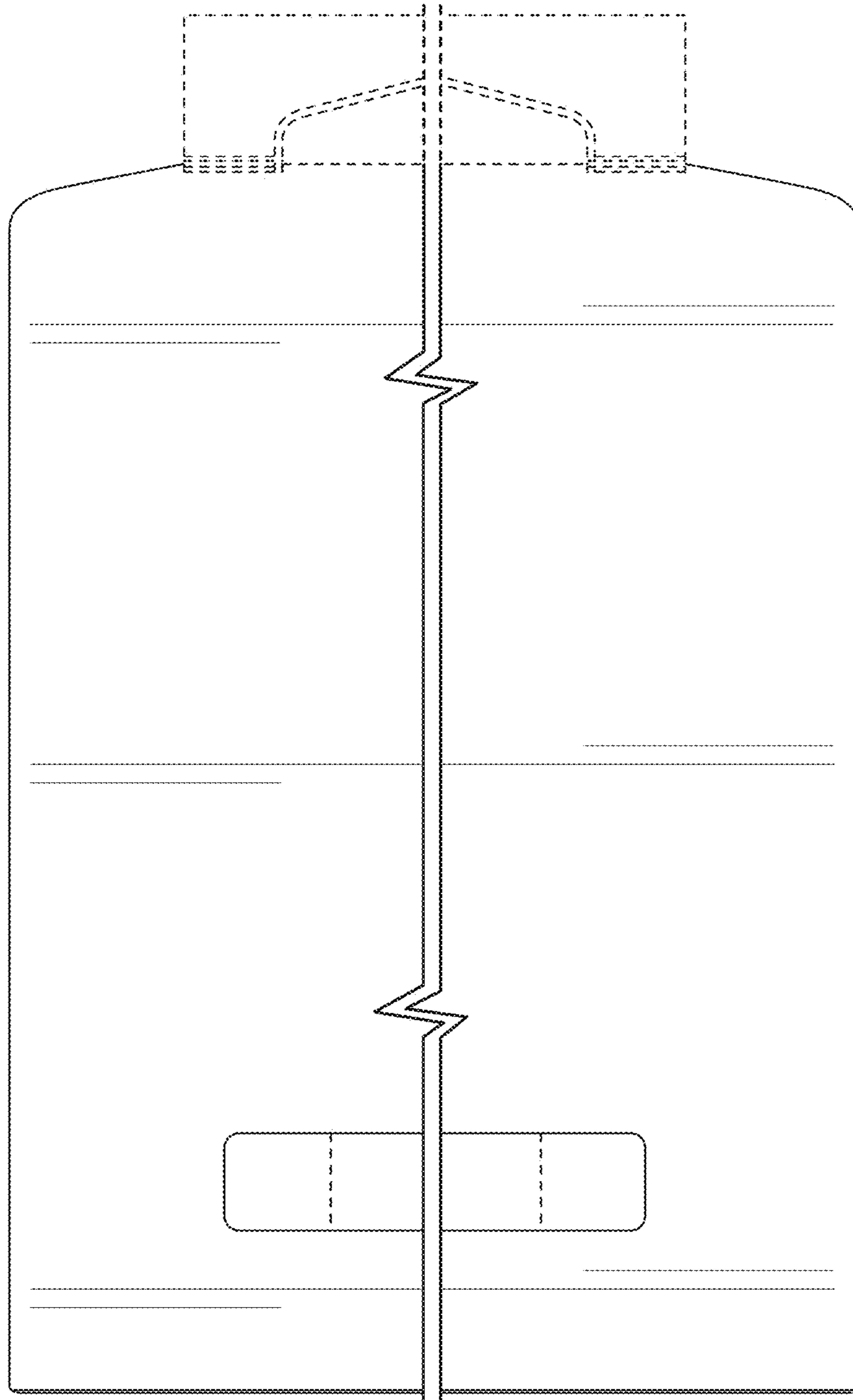


FIG. 20

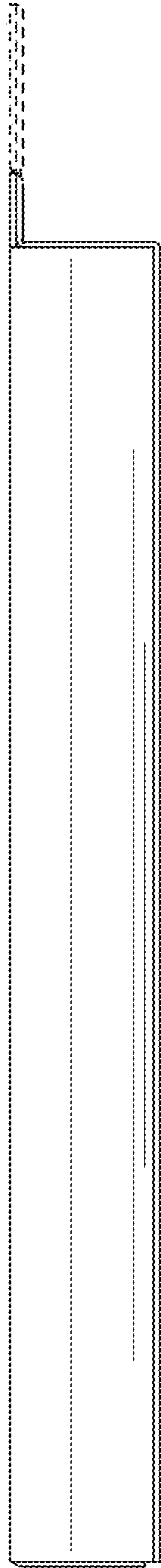


FIG. 21

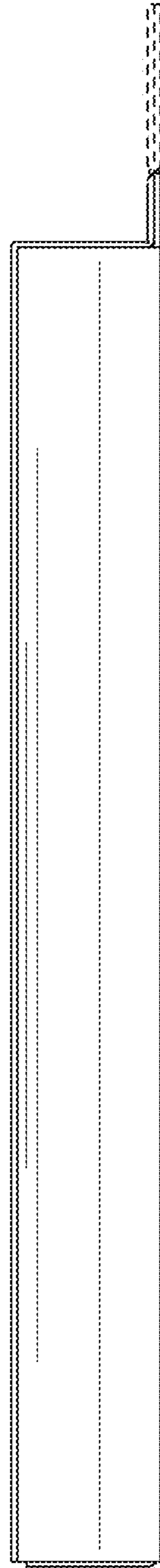


FIG. 22

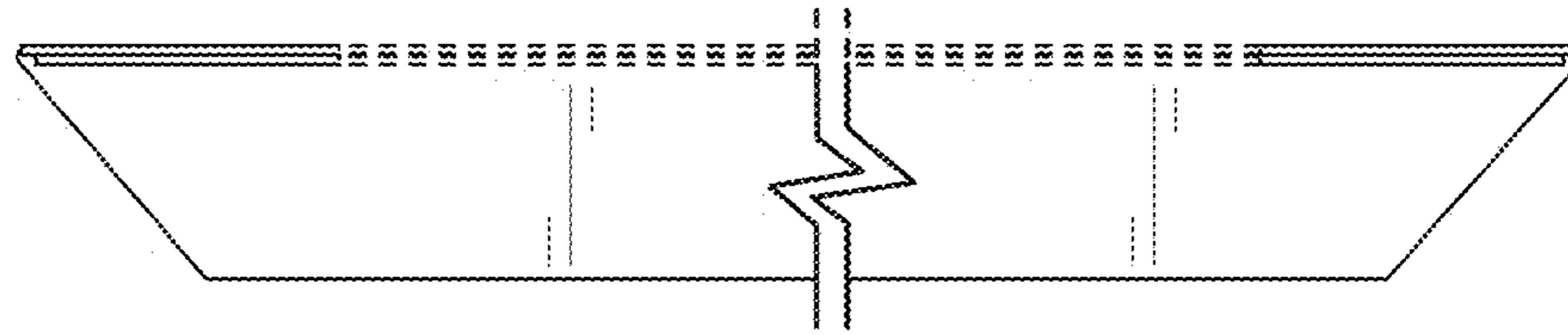


FIG. 23

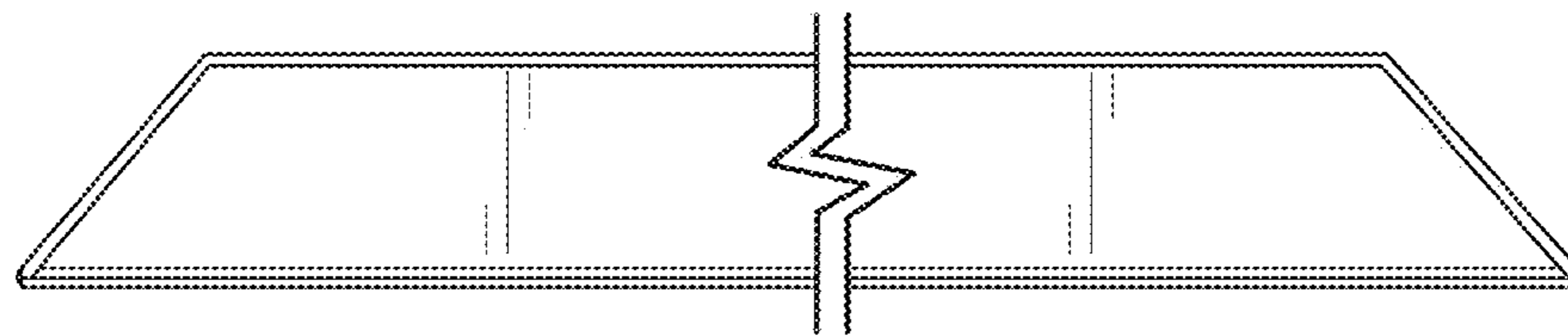


FIG. 24