



US00D909194S

(12) **United States Design Patent**  
**Felt**

(10) **Patent No.:** **US D909,194 S**

(45) **Date of Patent:** **\*\* Feb. 2, 2021**

(54) **EXPANDABLE BULB-HOLDING CLIP**

(71) Applicant: **Russel Williams Home Services LLC**,  
Plymouth, MN (US)

(72) Inventor: **David Russel Felt**, Plymouth, MN (US)

(73) Assignee: **Russel Williams Home Services LLC**,  
Plymouth, MN (US)

(\*\*) Term: **15 Years**

(21) Appl. No.: **29/723,781**

(22) Filed: **Feb. 10, 2020**

**Related U.S. Application Data**

(63) Continuation of application No. 16/404,640, filed on  
May 6, 2019, now Pat. No. 10,557,620, which is a  
continuation-in-part of application No. 15/067,119,  
filed on Mar. 10, 2016, now Pat. No. 10,281,084.

(51) **LOC (13) Cl.** ..... **08-08**

(52) **U.S. Cl.**  
USPC ..... **D8/395; D8/396**

(58) **Field of Classification Search**  
USPC ..... D8/356, 371, 394-396; D19/65, 56;  
D25/58, 121, 122  
CPC . E04B 9/067; E04B 9/068; E04B 9/12; E04B  
9/30; E04B 9/18; E04B 2009/062; E04C  
2003/0413; E04C 2003/0439; E04C  
2003/046  
See application file for complete search history.

(56) **References Cited**

**U.S. PATENT DOCUMENTS**

990,856 A 5/1911 Freiberg  
5,083,733 A \* 1/1992 Marino ..... B44D 3/123  
248/110  
5,566,058 A 10/1996 Protz, Jr.  
5,581,956 A 12/1996 Fennessy et al.

5,607,230 A 3/1997 Protz, Jr.  
5,921,511 A 7/1999 LaPointe  
6,477,751 B2 \* 11/2002 Baumdicker ..... A44B 99/00  
24/306  
6,502,958 B1 1/2003 Chen  
6,536,727 B1 3/2003 Limber et al.  
6,572,062 B1 6/2003 Limber et al.  
D562,675 S \* 2/2008 Cox ..... D8/395  
D574,702 S \* 8/2008 Stephens ..... D8/395  
D600,542 S \* 9/2009 Zemel ..... D8/395  
D612,120 S \* 3/2010 Panfili ..... D32/54  
D669,773 S \* 10/2012 Colasse ..... D8/395  
D671,826 S \* 12/2012 Adams, IV ..... D8/395  
D675,510 S \* 2/2013 Gary ..... D8/395  
8,459,712 B2 6/2013 Thrasher et al.  
8,545,041 B2 10/2013 Brown

(Continued)

*Primary Examiner* — John Windmuller

(74) *Attorney, Agent, or Firm* — Greenberg Traurig, LLP

(57) **CLAIM**

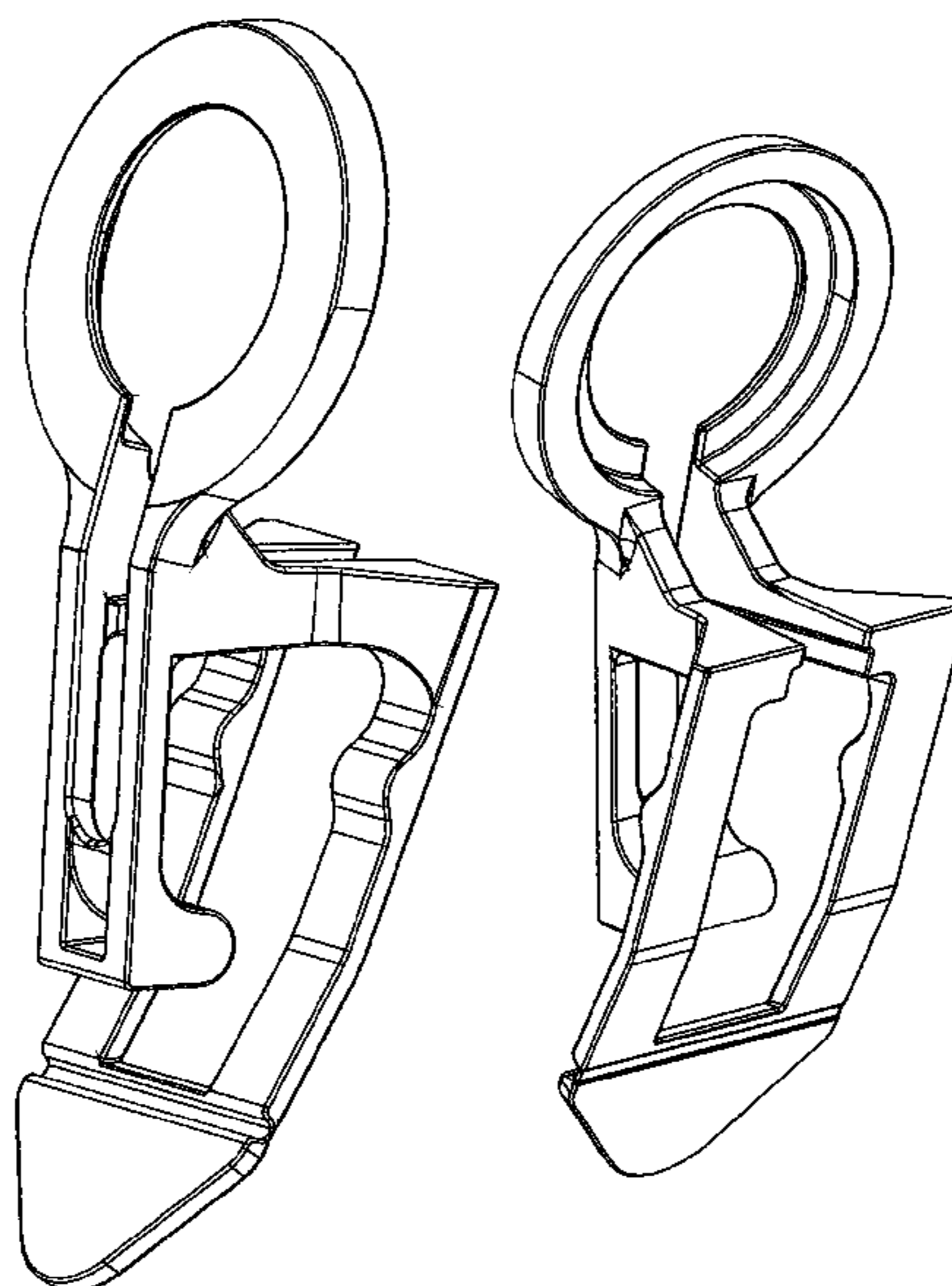
I claim the ornamental design for an expandable bulb-  
holding clip, as shown and described.

**DESCRIPTION**

FIG. 1 is a front perspective view of an expandable bulb-  
holding clip showing my new design;  
FIG. 2 is a rear perspective view thereof;  
FIG. 3 is a front perspective view thereof;  
FIG. 4 is a rear perspective view thereof;  
FIG. 5 is a left side elevation view thereof;  
FIG. 6 is a right side elevation view thereof;  
FIG. 7 is a front elevation view thereof;  
FIG. 8 is a rear elevation view thereof;  
FIG. 9 is a top plan view thereof; and,  
FIG. 10 is a bottom plan view thereof.

The dashed lines in the figures form no part of the claimed  
design. All other surface(s) or portion(s) of our designs not  
shown in the figures or otherwise described in the specifi-  
cation form no part of the claimed design.

**1 Claim, 5 Drawing Sheets**



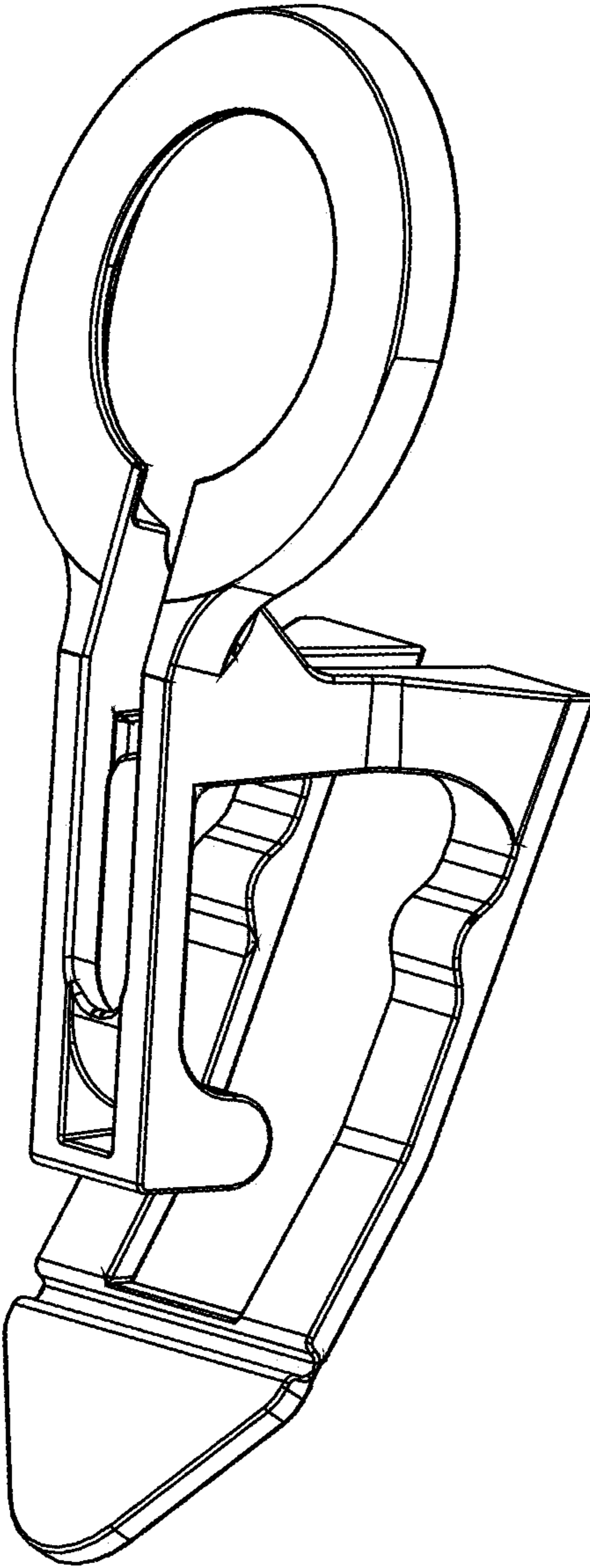
(56)

**References Cited**

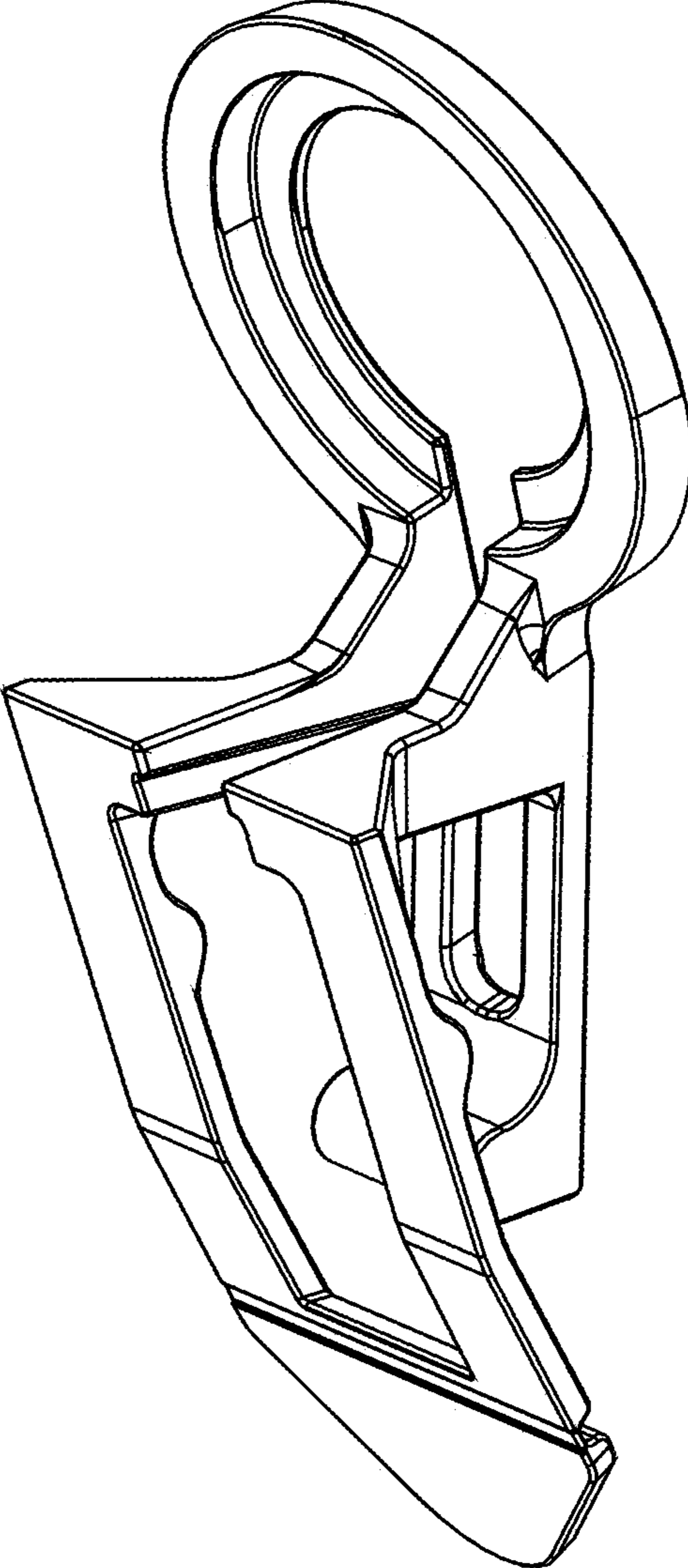
U.S. PATENT DOCUMENTS

D737,132 S *	8/2015	Garcia .....	D8/395
D741,161 S *	10/2015	Buresh, II .....	D8/395
D756,764 S *	5/2016	Limber .....	D8/395
D799,314 S *	10/2017	Adams, IV .....	D8/395
D835,316 S *	12/2018	Edgar .....	D26/51
10,180,242 B2 *	1/2019	Schreiber .....	F21V 21/088
D843,430 S *	3/2019	Hodgson .....	D16/135
D853,818 S *	7/2019	Bergman .....	D8/105
D856,791 S *	8/2019	Limber .....	D8/395
2002/0186562 A1	12/2002	Schroetter	
2006/0152927 A1	7/2006	Vendrick	
2008/0135703 A1	6/2008	Craig et al.	
2011/0260025 A1	10/2011	Aoshima et al.	
2012/0241575 A1	9/2012	Martinez Sanz et al.	

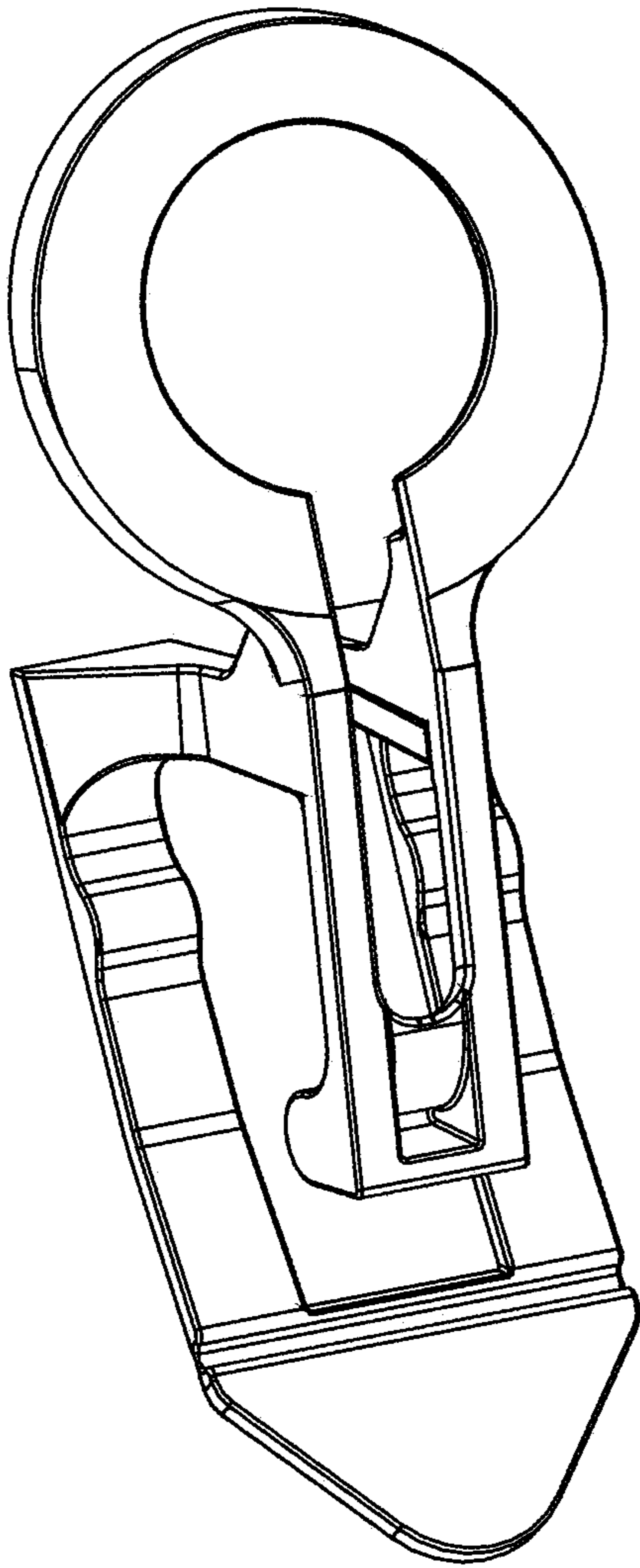
\* cited by examiner



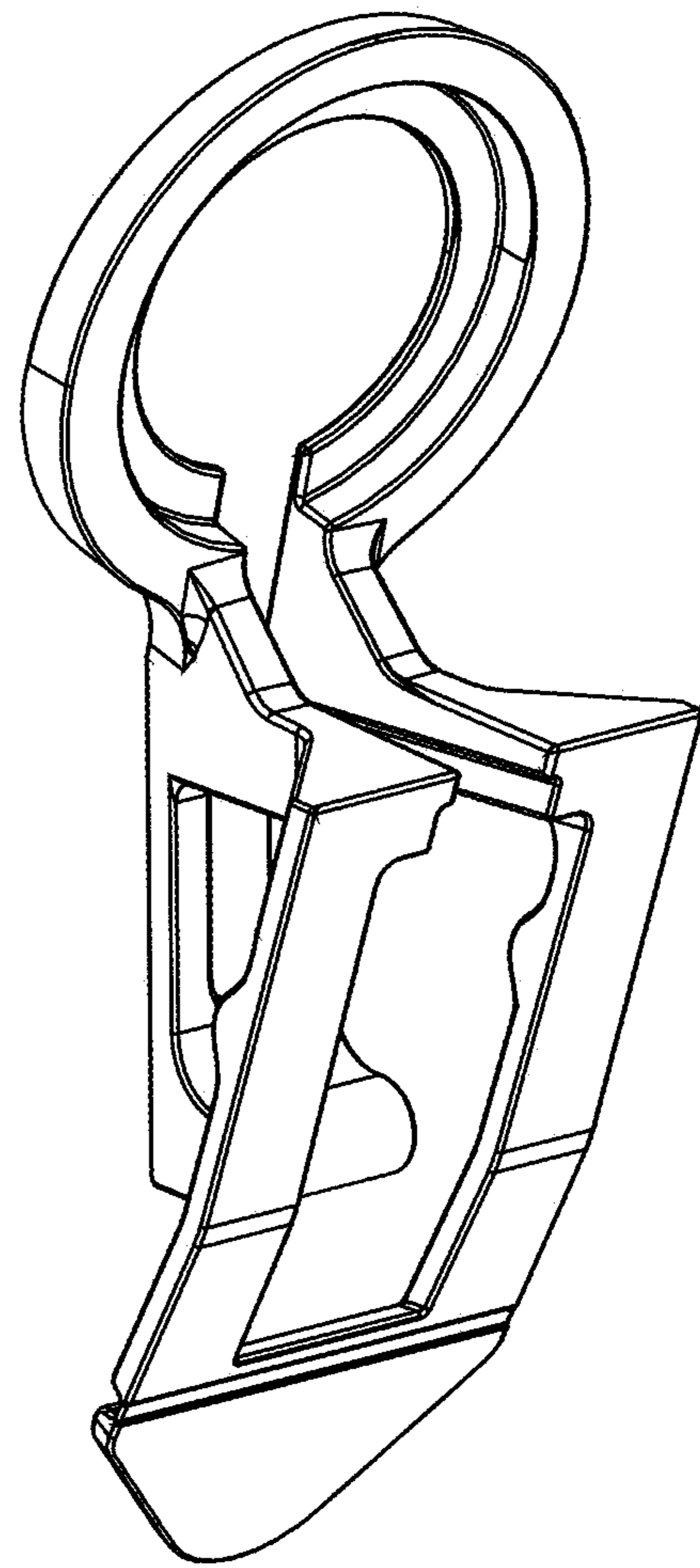
**FIG. 1**



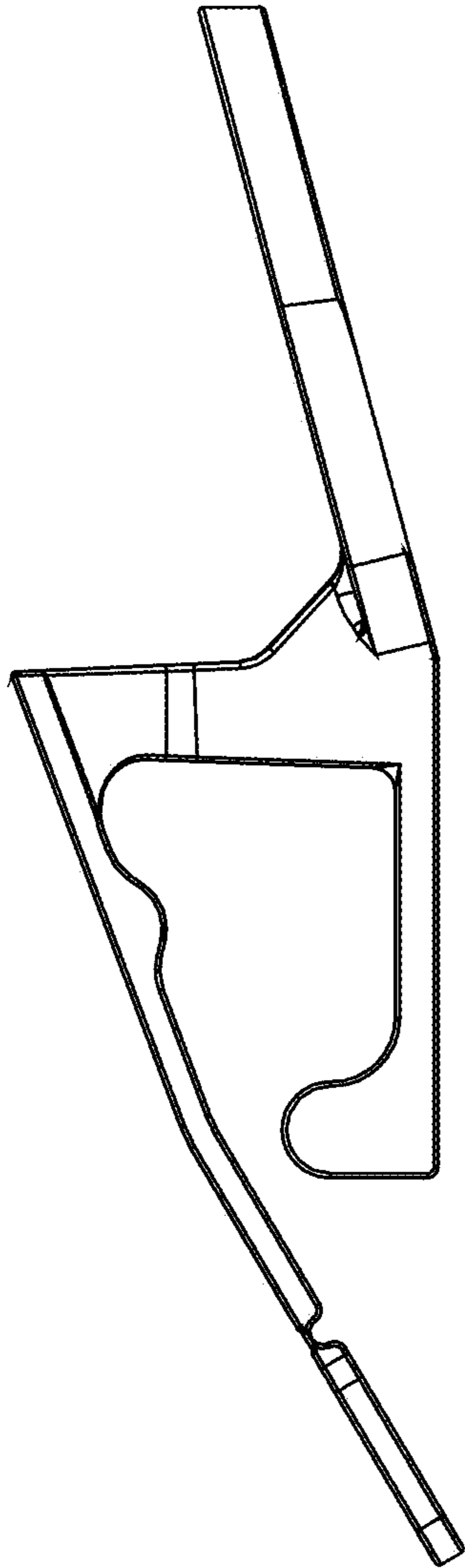
**FIG. 2**



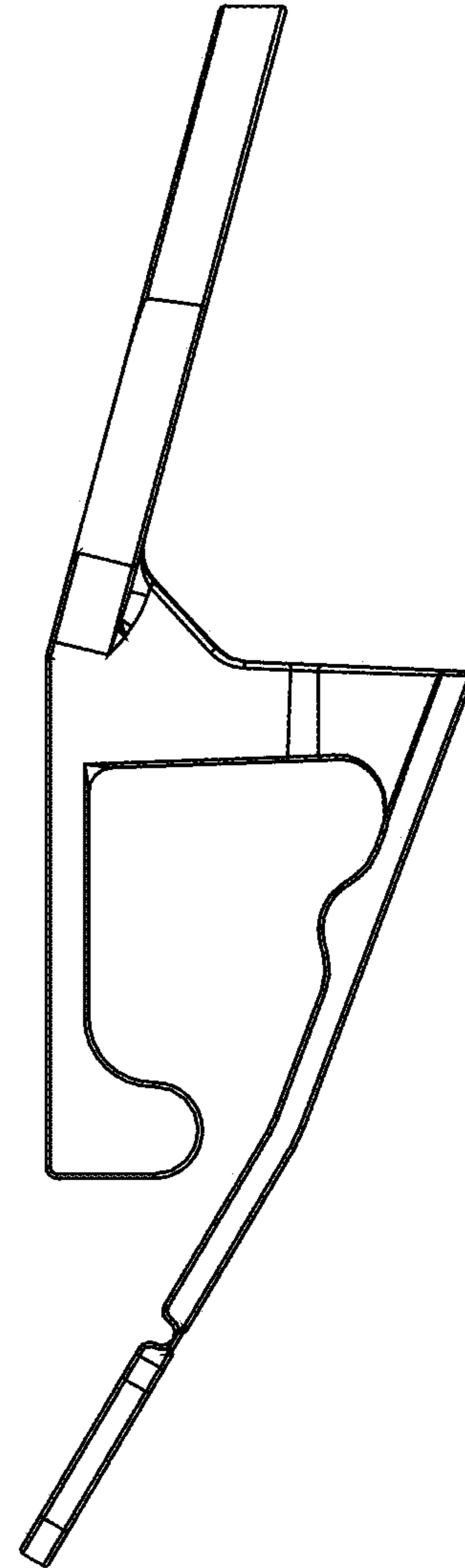
**FIG. 3**



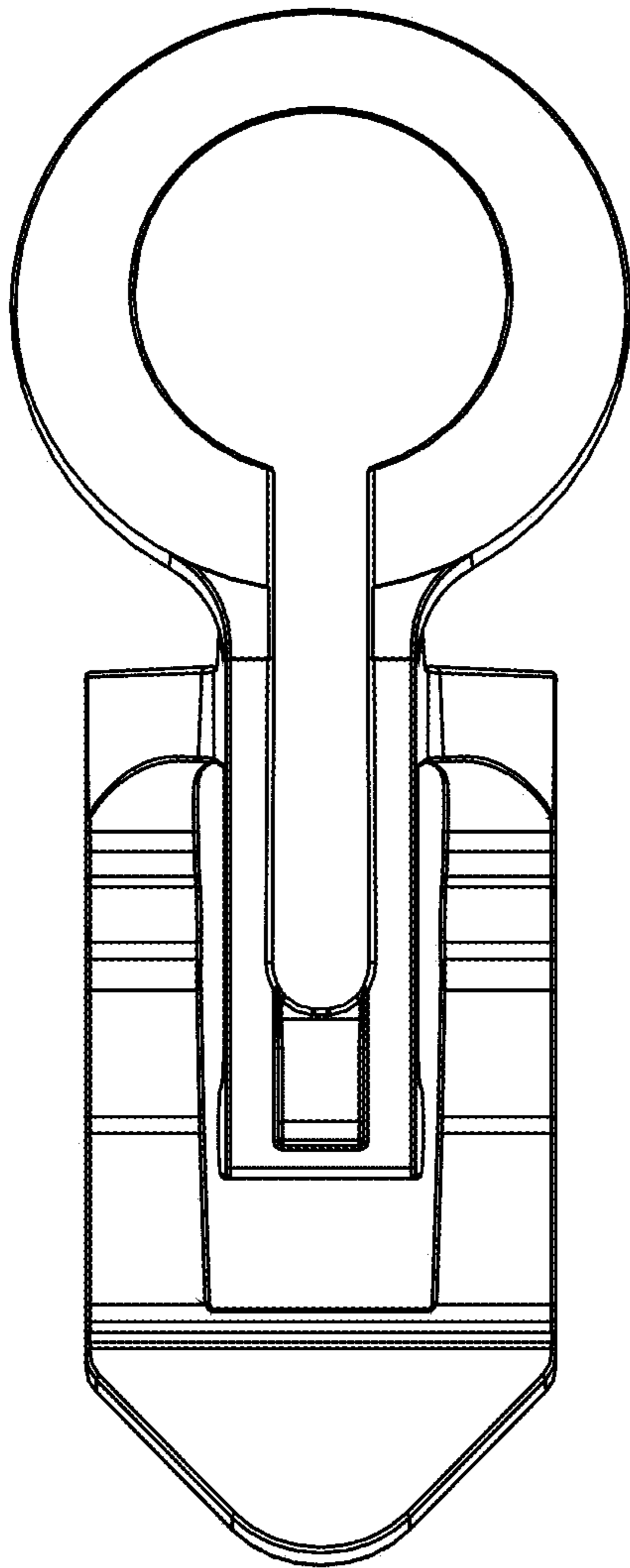
**FIG. 4**



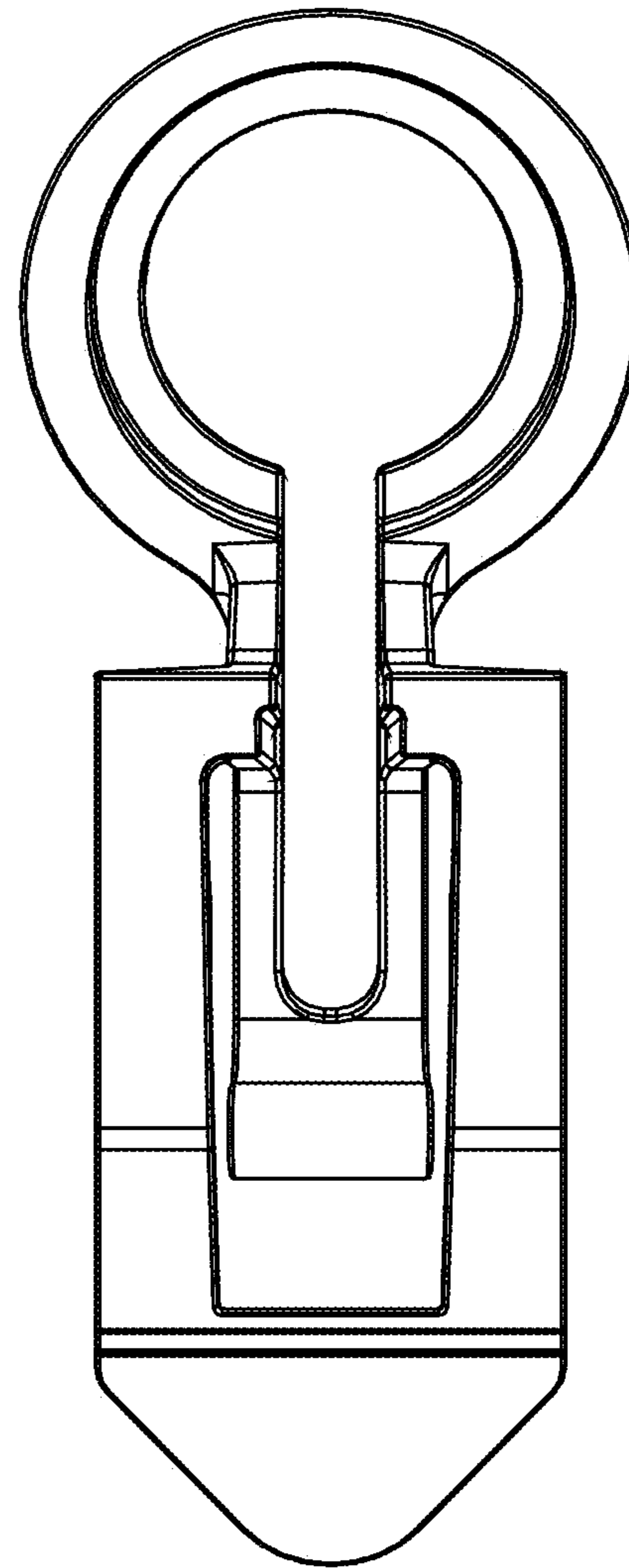
**FIG. 5**



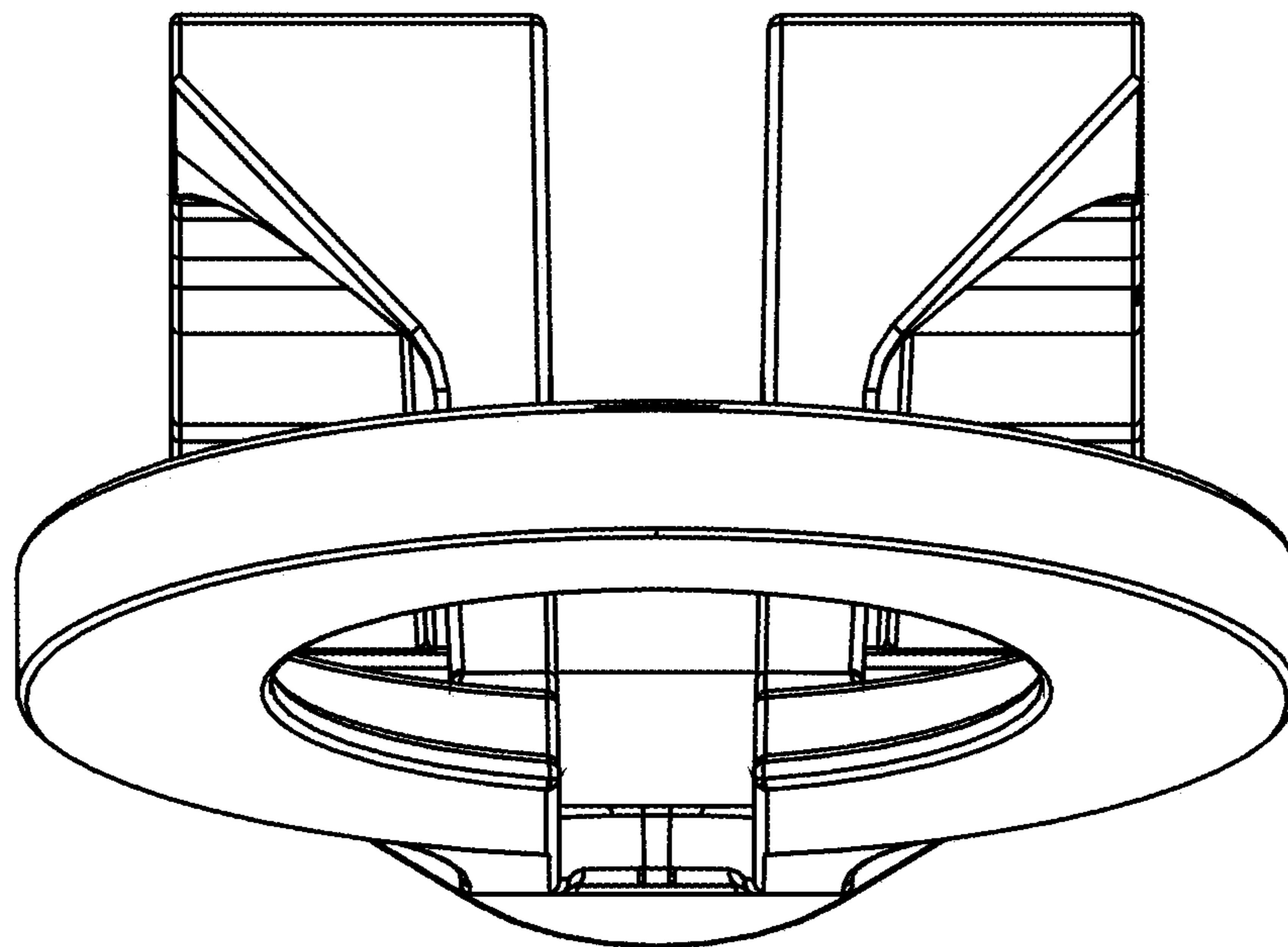
**FIG. 6**



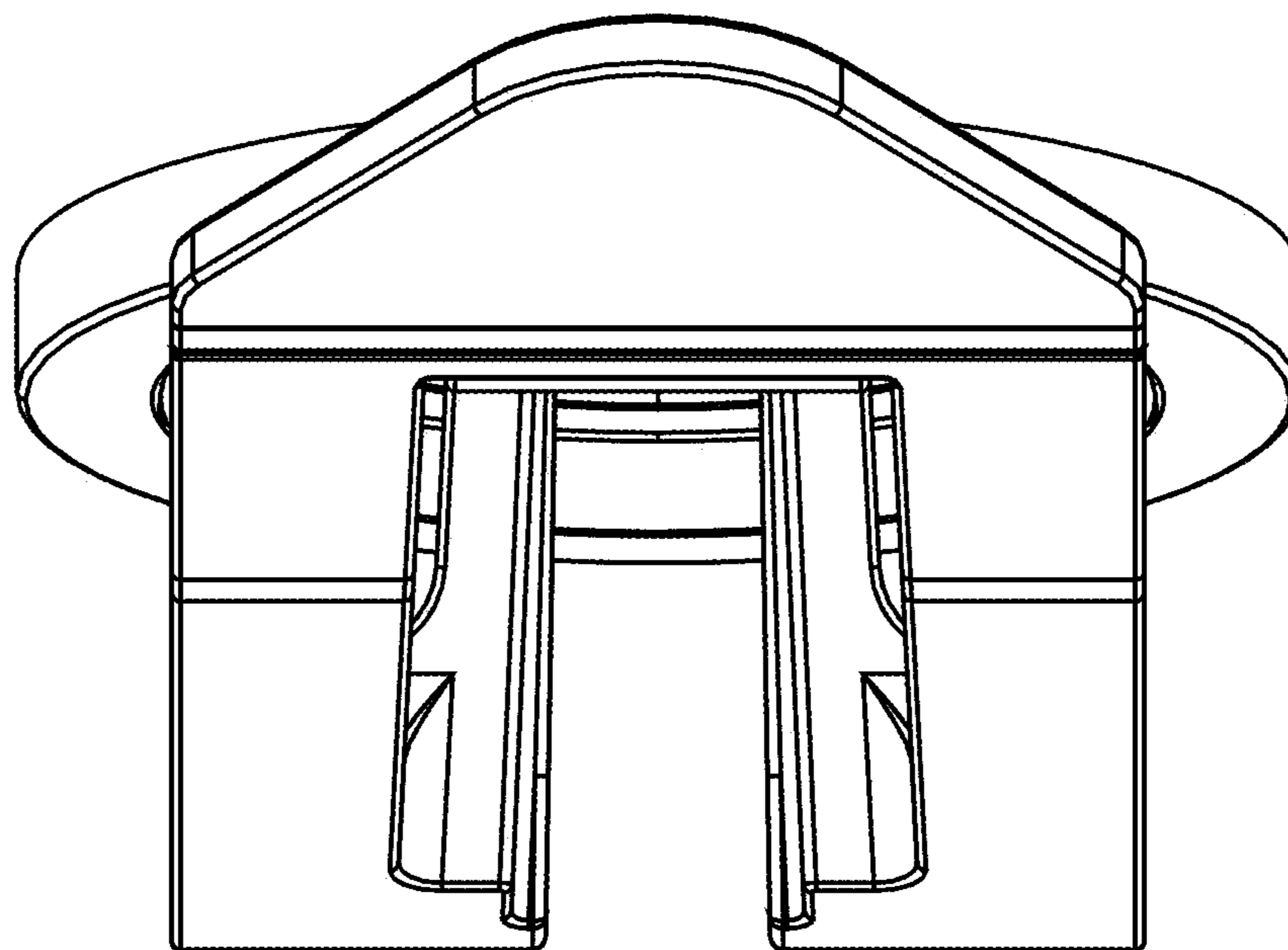
**FIG. 7**



**FIG. 8**



**FIG. 9**



**FIG. 10**

UNITED STATES PATENT AND TRADEMARK OFFICE  
**CERTIFICATE OF CORRECTION**

PATENT NO. : D909,194 S  
APPLICATION NO. : 29/723781  
DATED : February 2, 2021  
INVENTOR(S) : David Russel Felt

Page 1 of 1

It is certified that error appears in the above-identified patent and that said Letters Patent is hereby corrected as shown below:

On the Title Page

Related U.S. Application Data

(63) This application is a Continuation of application No. 16/404,640 filed on May 6, 2019, now Pat. No. 10,557,620, which is a continuation-in-part of application No. 15/067,119, filed on March 10, 2016, now Pat. No. 10,281,084. should read -- This application is a Continuation of application No. 16/404,640 filed on May 6, 2019, now Pat. No. 10,557,620, which is a continuation-in-part of application No. 15/067,119, filed on March 10, 2016, now Pat. No. 10,281,084, which claims the benefit of provisional application No. 62/131,305, filed on March 11, 2015. --

Signed and Sealed this  
Ninth Day of March, 2021



Drew Hirshfeld  
*Performing the Functions and Duties of the  
Under Secretary of Commerce for Intellectual Property and  
Director of the United States Patent and Trademark Office*