



US00D909193S

(12) **United States Design Patent**  
**Canavarro et al.**

(10) **Patent No.:** **US D909,193 S**  
(45) **Date of Patent:** **\*\* Feb. 2, 2021**

- (54) **CLAMP FOR EXTENDING HEIGHT OF CUBICLE WALLS**
- (71) Applicants: **Mark Canavarro**, Carlsbad, CA (US);  
**Nicholas Canavarro**, Carlsbad, CA (US)
- (72) Inventors: **Mark Canavarro**, Carlsbad, CA (US);  
**Nicholas Canavarro**, Carlsbad, CA (US)
- (73) Assignee: **OBEX P.E., Inc.**, Vista, CA (US)

6,533,019 B1	3/2003	King	
6,554,524 B1 *	4/2003	Smith	H02G 7/04 403/78
6,983,891 B1 *	1/2006	Stanioriski	E02F 9/02 238/14
7,243,449 B2 *	7/2007	Wichmann	G09F 7/18 40/606.01
D551,528 S *	9/2007	Vautour	D8/72
D575,143 S	8/2008	Kuo	
D652,286 S *	1/2012	Mair	D8/356
8,561,355 B2	10/2013	Canavarro	
D727,138 S *	4/2015	Cross	D8/382
D840,217 S	2/2019	Veilleux	

(Continued)

(\*\*) Term: **15 Years**

**FOREIGN PATENT DOCUMENTS**

- (21) Appl. No.: **29/735,114**
- (22) Filed: **May 18, 2020**
- (51) **LOC (13) Cl.** ..... **08-08**
- (52) **U.S. Cl.**  
USPC ..... **D8/394**
- (58) **Field of Classification Search**  
USPC ..... D8/349, 363, 371, 373, 380-383, 354,  
D8/356, 394; D6/553, 513, 332  
CPC ..... E04H 17/1421; E04H 2017/1473; A47G  
1/00; A47G 25/00; F16L 3/00  
See application file for complete search history.

JP	3561486 B2	9/2004
KR	102111949 B1	6/2020

*Primary Examiner* — John Windmuller

(74) *Attorney, Agent, or Firm* — Manuel de la Cerra

(57) **CLAIM**

The ornamental design for a clamp for extending height of cubicle walls, as shown and described.

**DESCRIPTION**

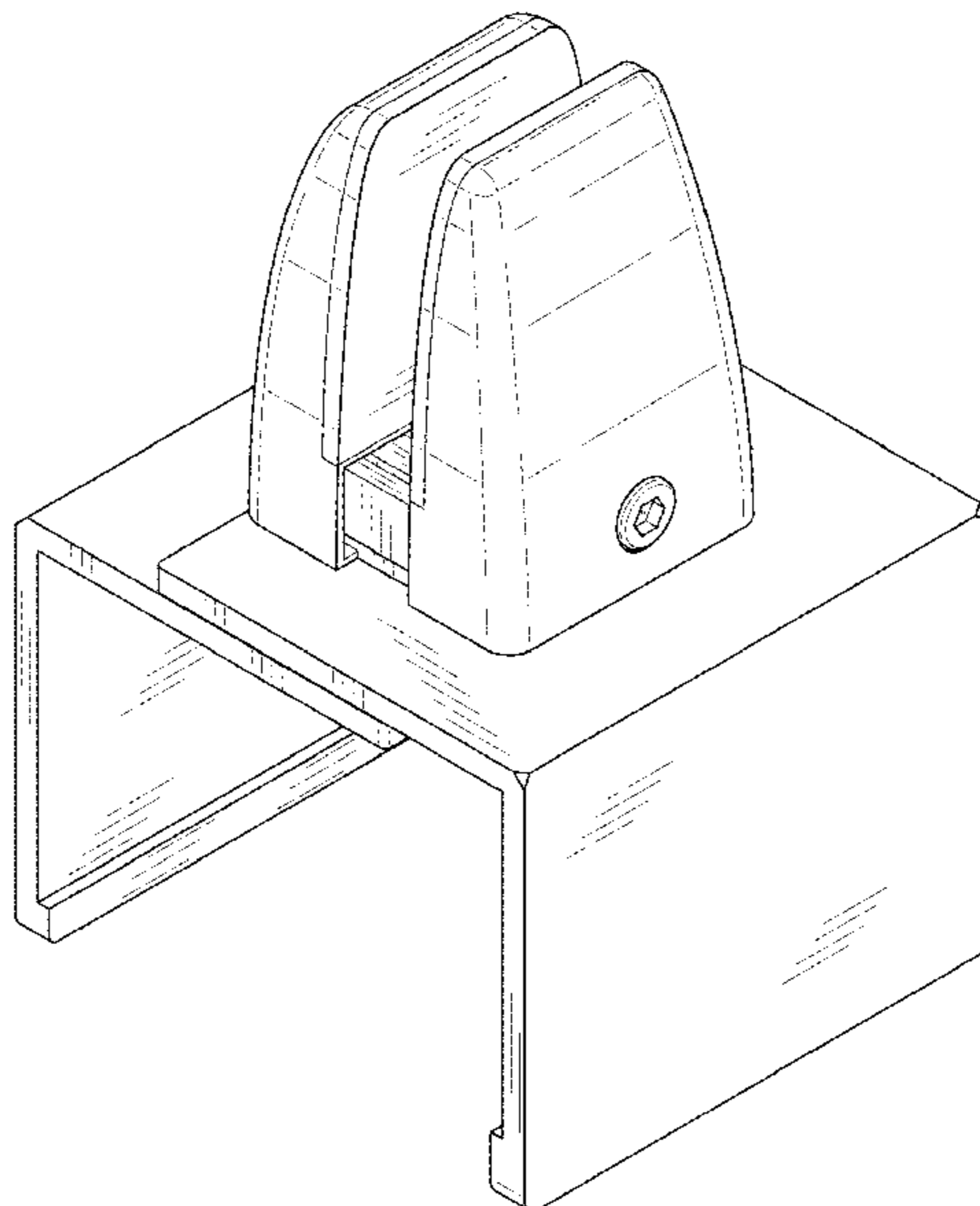
FIG. 1 is a top front perspective view of the clamp.  
 FIG. 2 is a bottom rear perspective view thereof.  
 FIG. 3 is a top front perspective view thereof, shown within the environment of use.  
 FIG. 4 is a front view thereof.  
 FIG. 5 is a rear view thereof.  
 FIG. 6 is a left-side view thereof.  
 FIG. 7 is a right-side view thereof.  
 FIG. 8 is a top view thereof; and,  
 FIG. 9 is a bottom view thereof.  
 The broken line showing of parts of FIG. 3 is included for the purpose of illustrating use and environment, and forms no part of the claimed design.

(56) **References Cited**

**U.S. PATENT DOCUMENTS**

D260,481 S	9/1981	Norcross	
D265,048 S	6/1982	Guardia	
4,600,331 A *	7/1986	Gray	F16G 15/08 403/165
D312,567 S	12/1990	Gilman	
D326,601 S *	6/1992	Smith	D8/356
5,822,918 A *	10/1998	Helfman	A47G 7/044 47/39
5,984,249 A *	11/1999	Cohen	A47G 7/044 108/47
6,370,741 B1	4/2002	Lu	

**1 Claim, 6 Drawing Sheets**



(56)

**References Cited**

U.S. PATENT DOCUMENTS

D851,484 S *	6/2019	Veilleux .....	D8/394
10,420,430 B2 *	9/2019	Scott .....	F16M 11/425
2005/0045785 A1 *	3/2005	Cohen .....	F16B 9/023
			248/214
2010/0225040 A1 *	9/2010	Allen .....	E04F 11/18
			269/297

\* cited by examiner

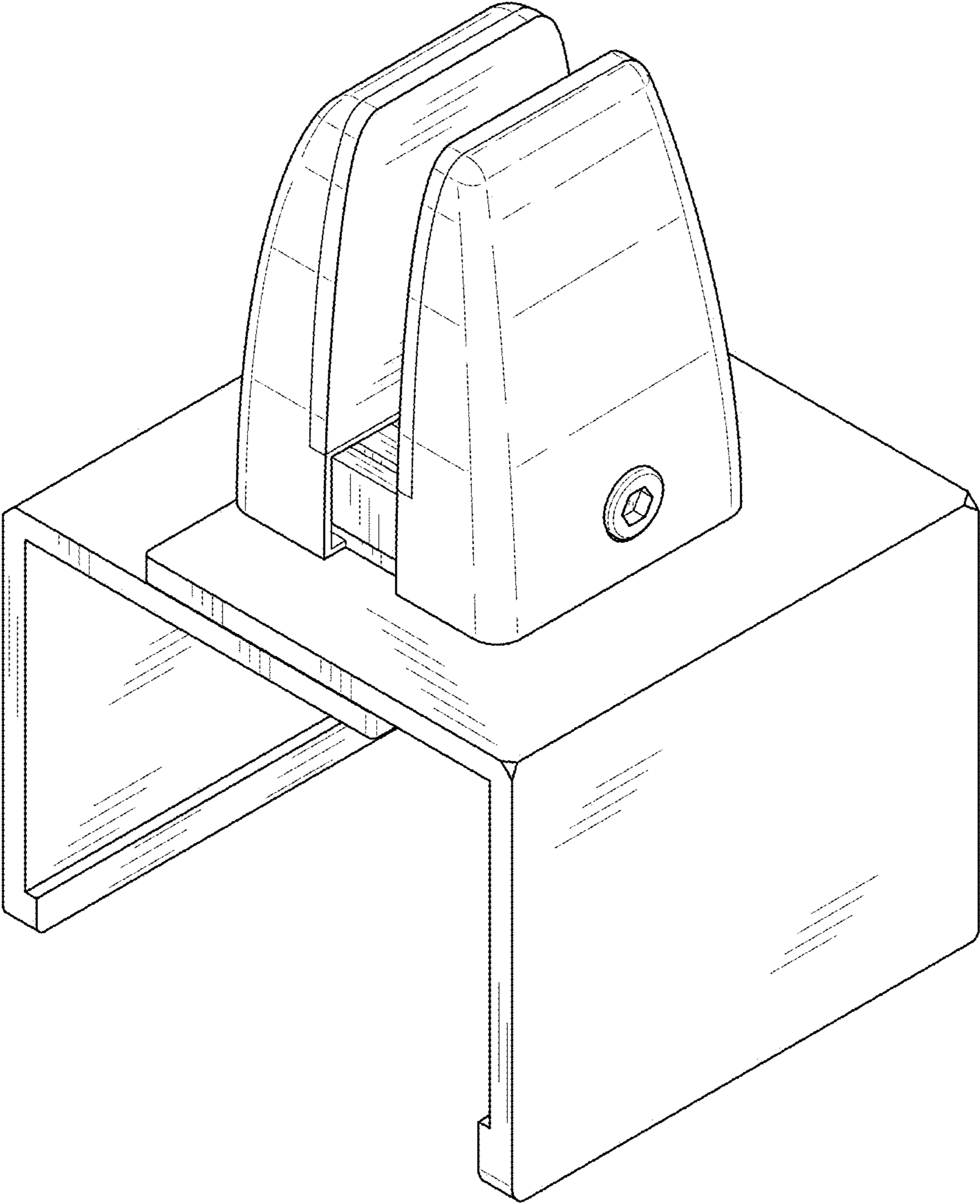


FIG. 1

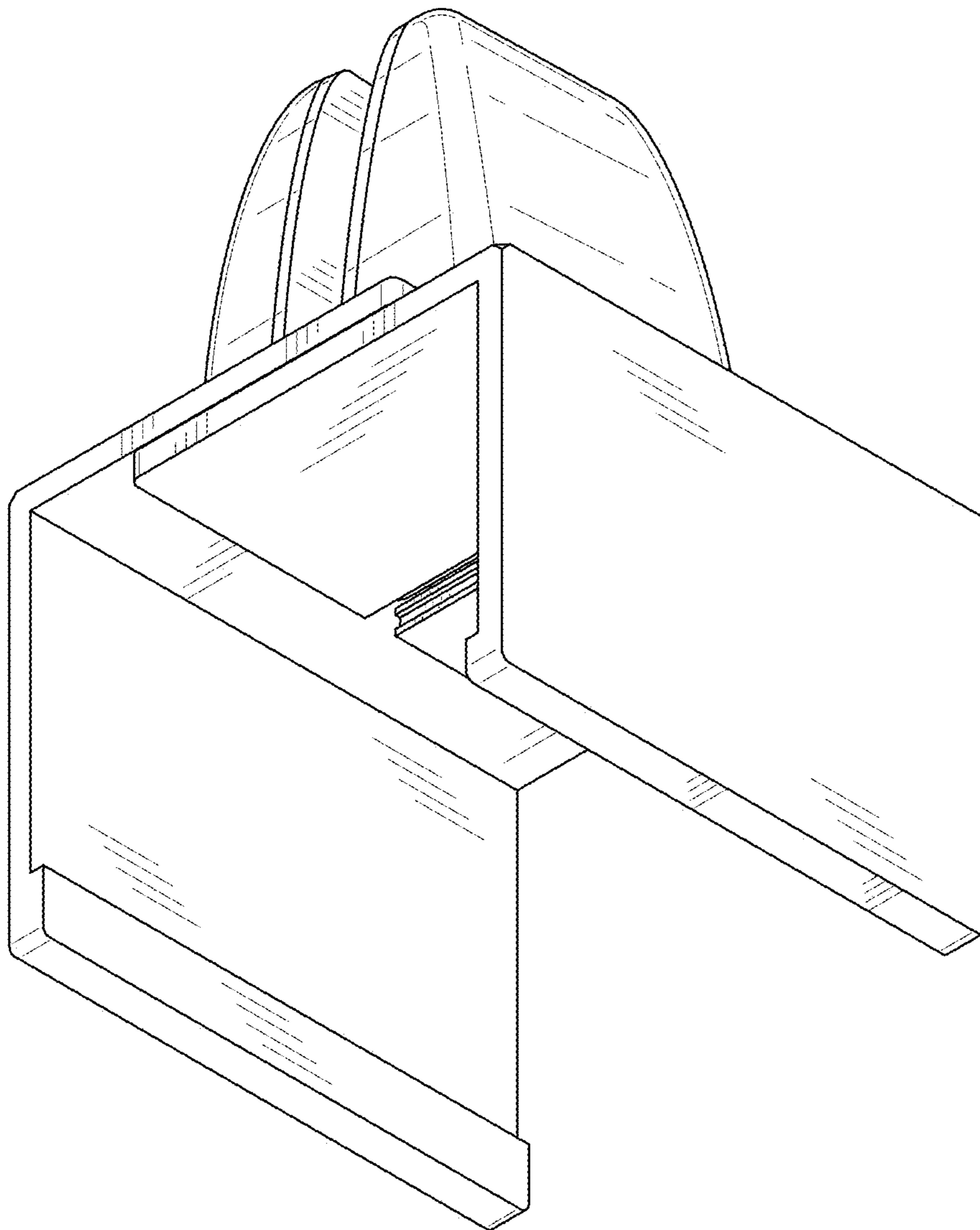


FIG. 2

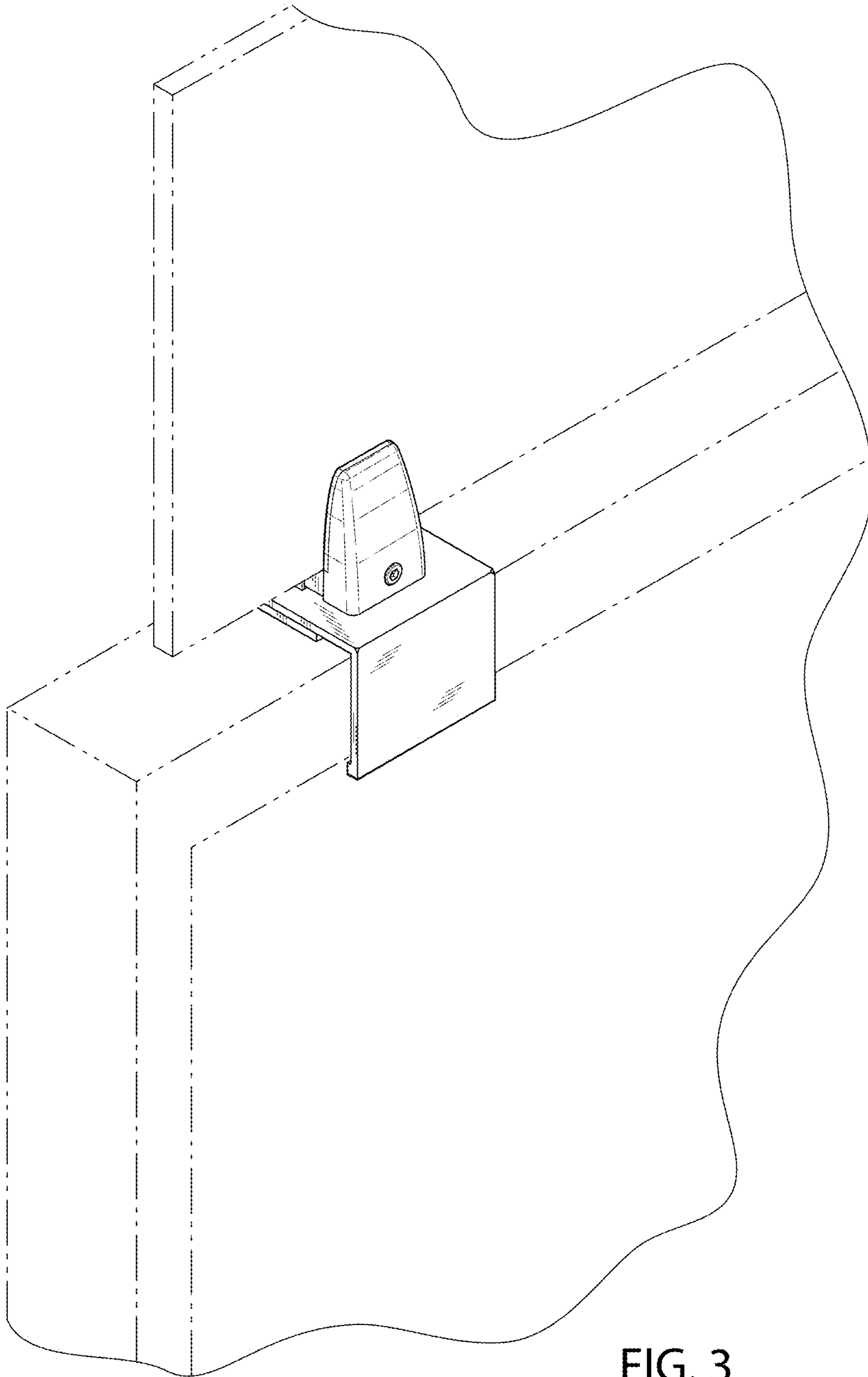


FIG. 3

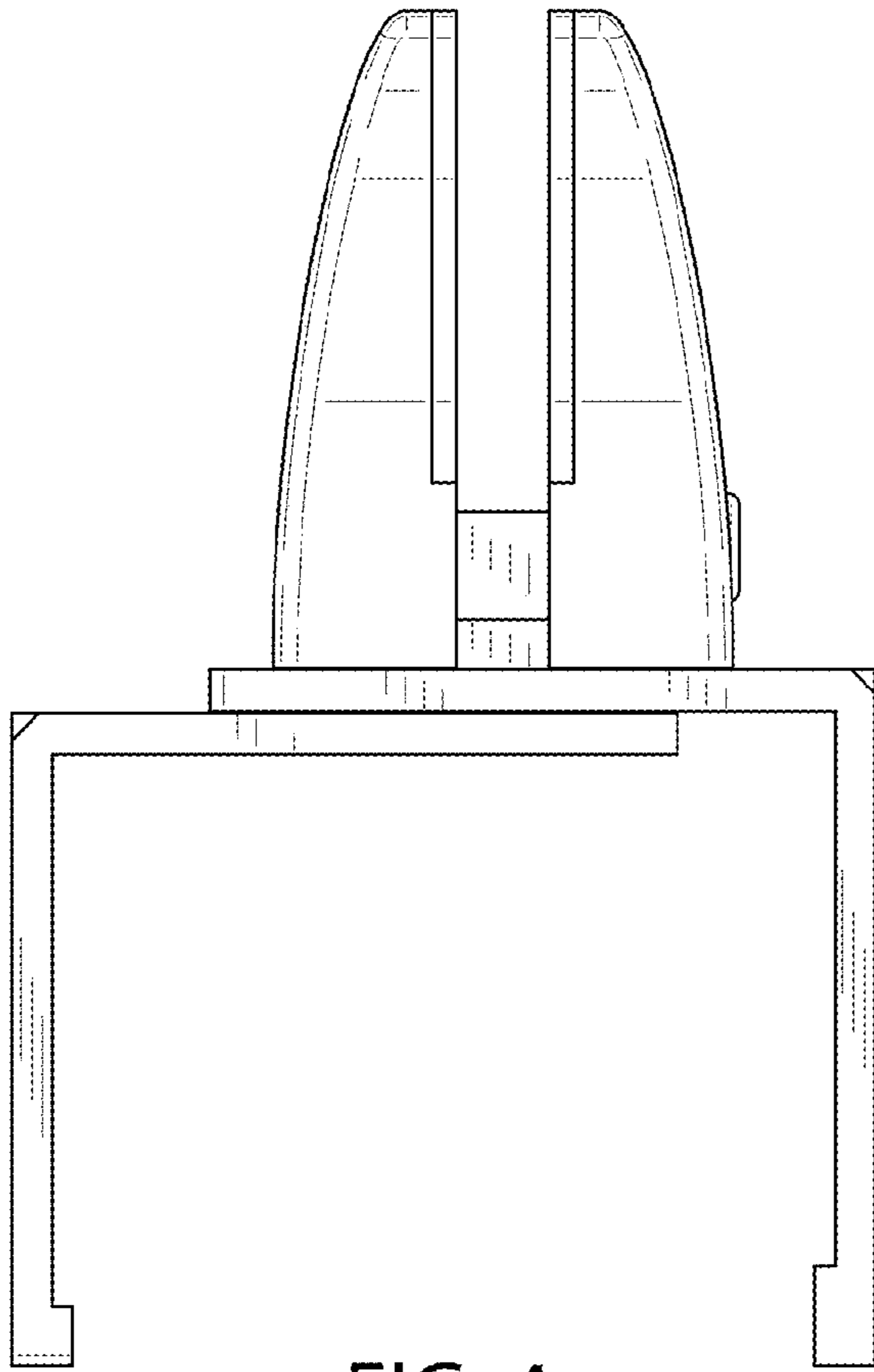


FIG. 4

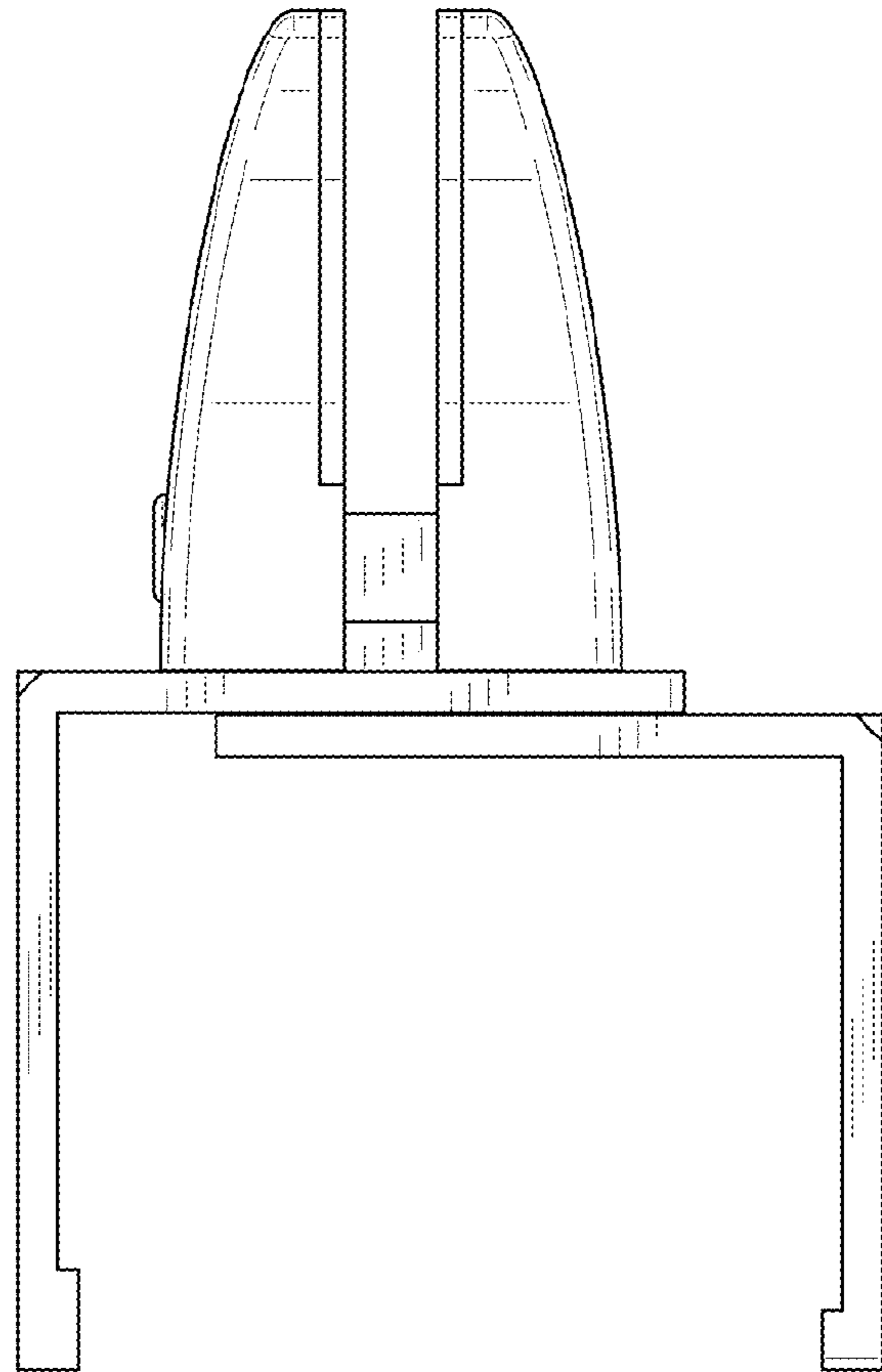


FIG. 5



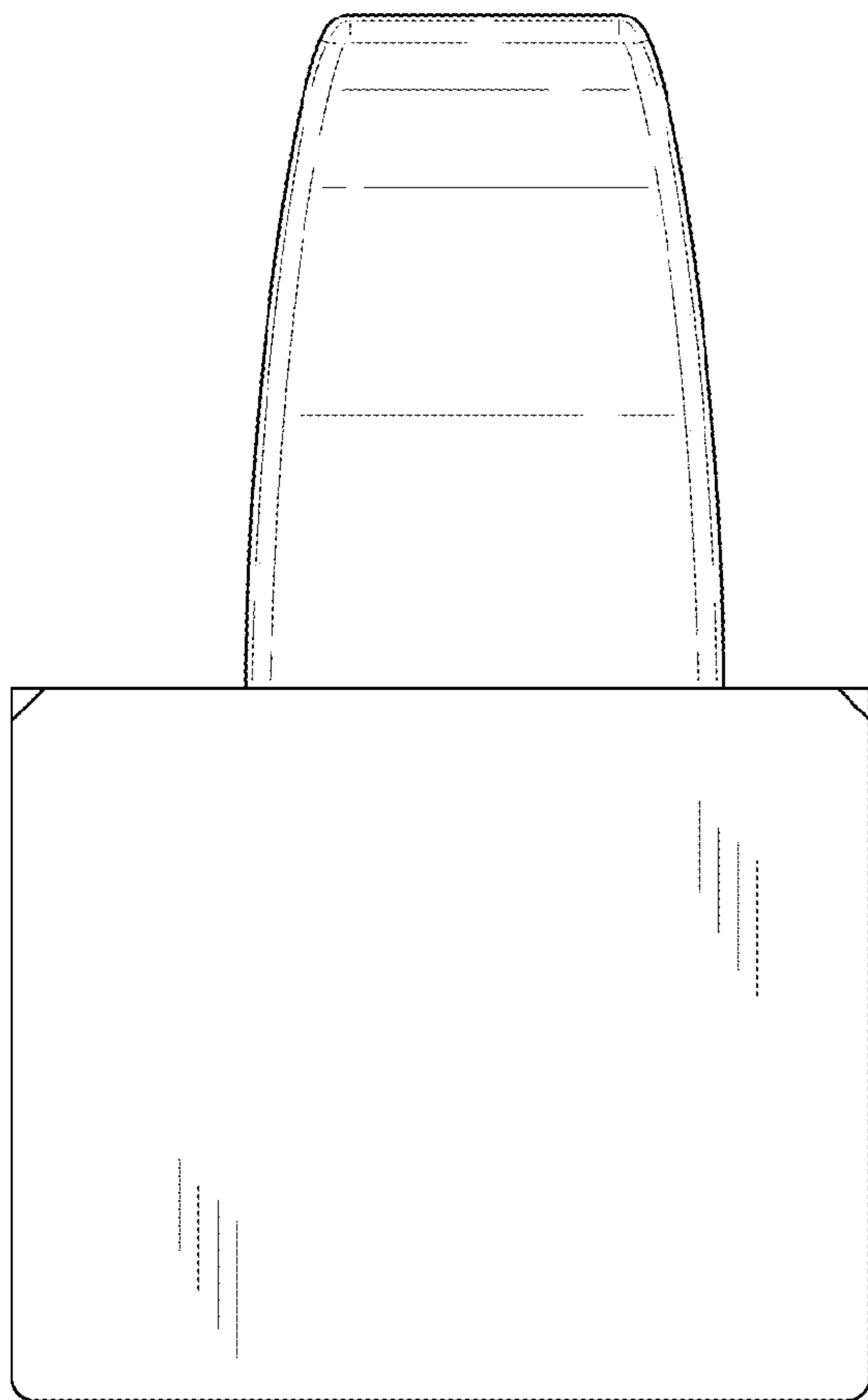


FIG. 6

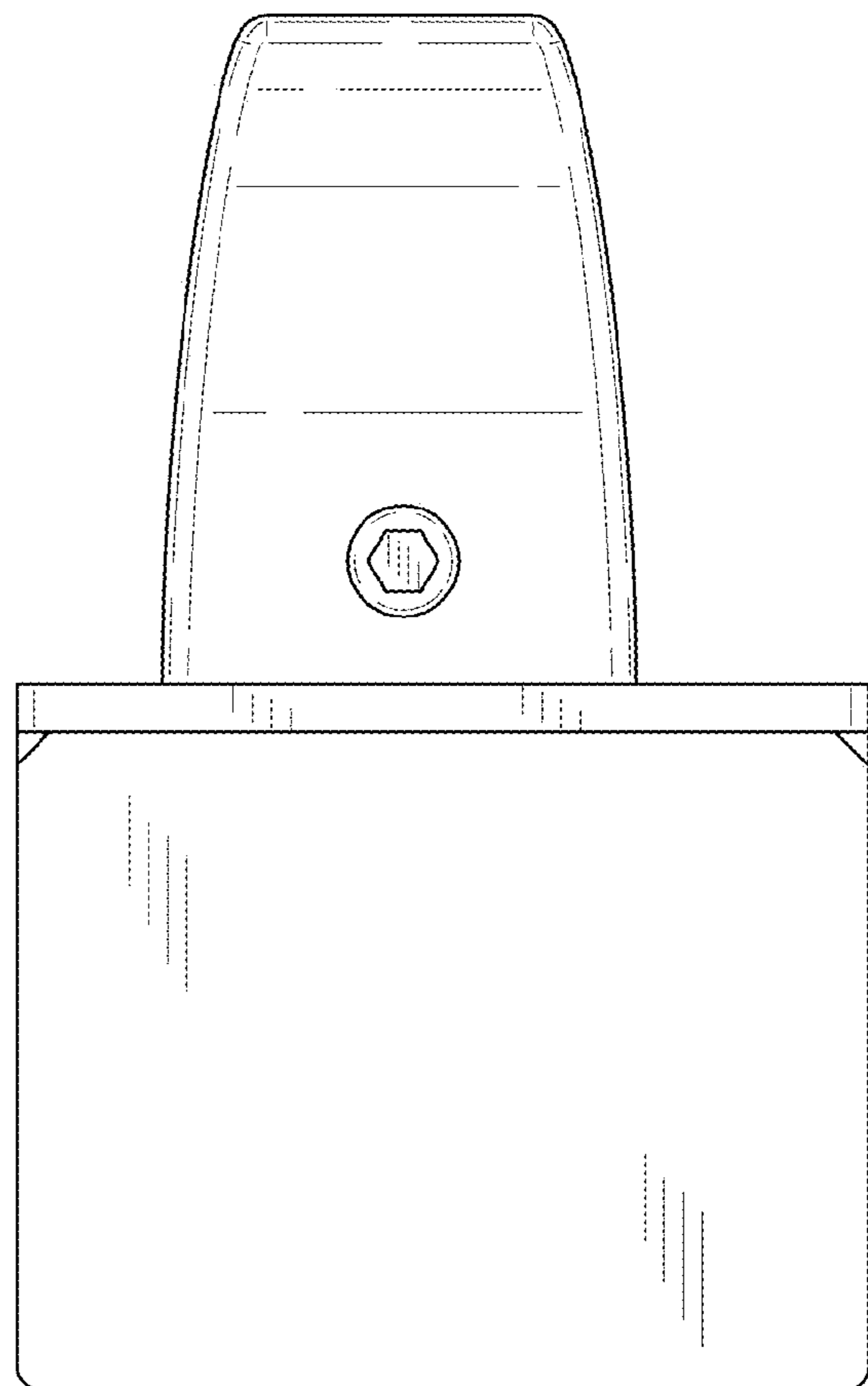


FIG. 7

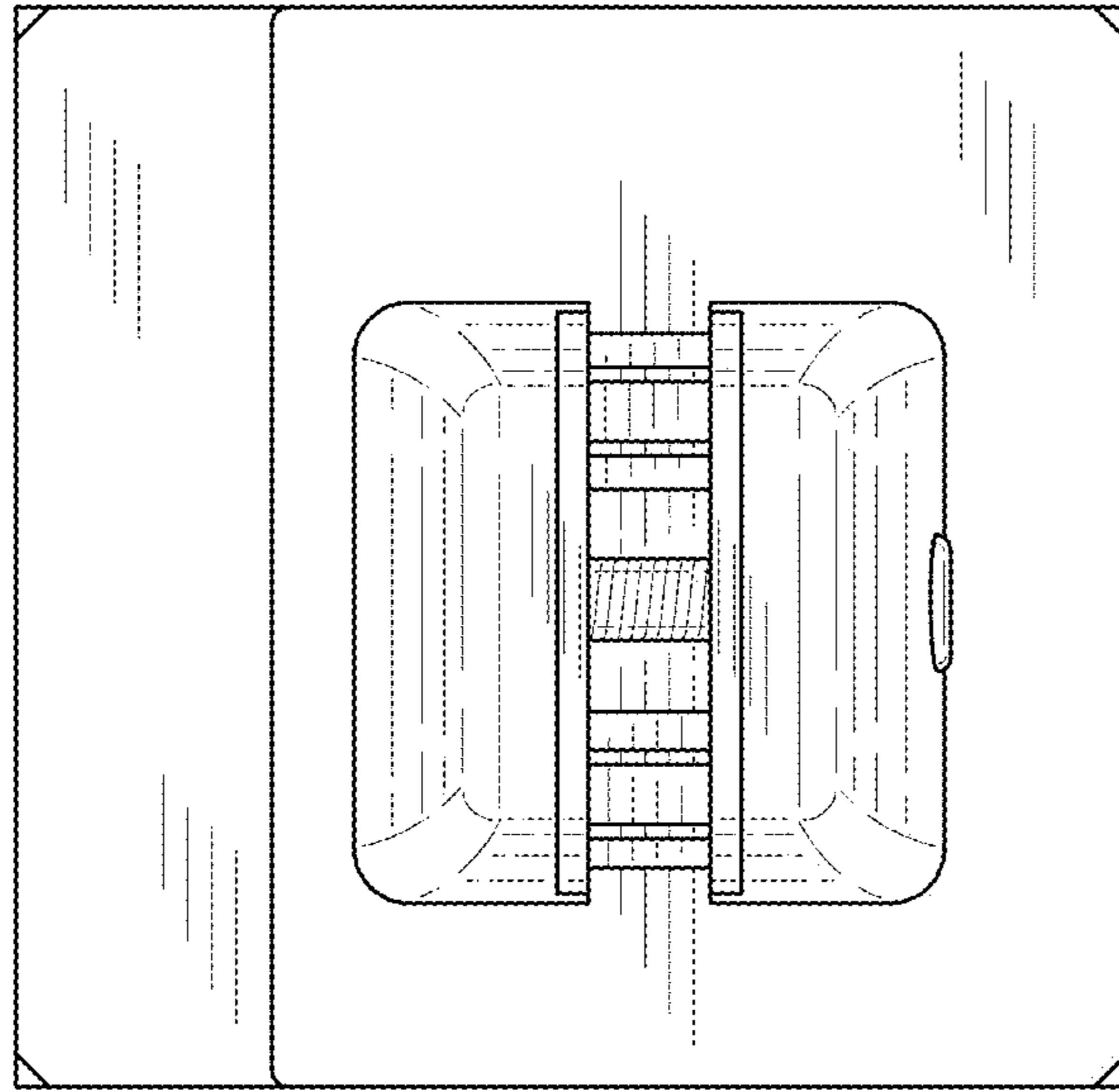


FIG. 8

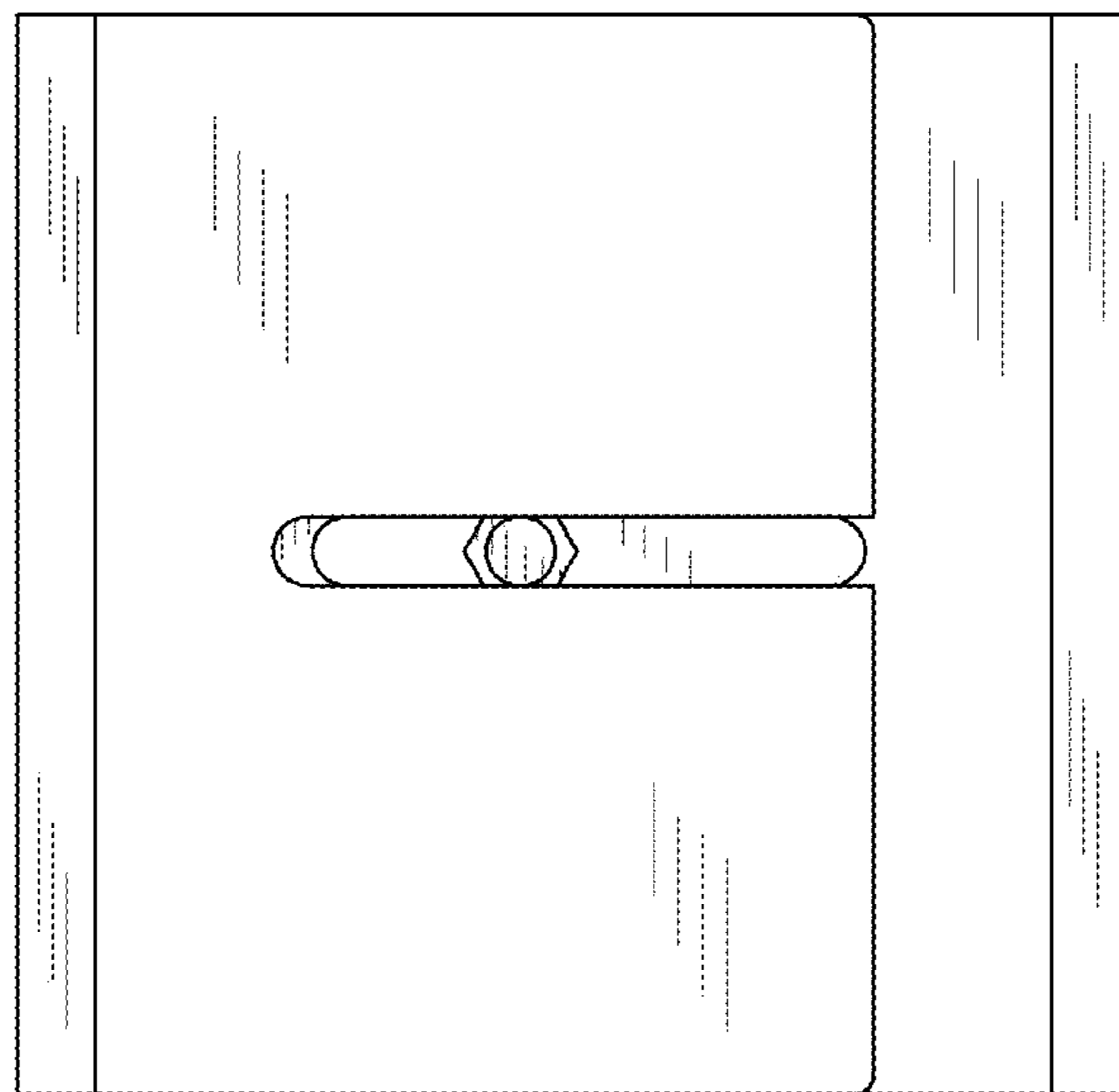


FIG. 9