



US00D909188S

(12) **United States Design Patent** (10) **Patent No.:** **US D909,188 S**  
**Kou** (45) **Date of Patent:** **\*\* Feb. 2, 2021**

(54) **CABLE CLIP**

(71) Applicant: **Huabing Kou**, Guangdong (CN)

(72) Inventor: **Huabing Kou**, Guangdong (CN)

(\*\*) Term: **15 Years**

(21) Appl. No.: **29/746,794**

(22) Filed: **Aug. 17, 2020**

(51) **LOC (13) Cl.** ..... **09-06**

(52) **U.S. Cl.**  
USPC ..... **D8/356**

(58) **Field of Classification Search**  
USPC ..... D8/354, 356, 349  
CPC ..... F16B 2/00; A63B 27/00  
See application file for complete search history.

(56) **References Cited**

**U.S. PATENT DOCUMENTS**

4,114,241	A *	9/1978	Bisping	403/188
D256,303	S *	8/1980	Rieman	D6/552
4,244,544	A *	1/1981	Kornat	248/68.1
D272,785	S *	2/1984	Rumbaugh	D6/552
D272,787	S *	2/1984	Rumbaugh	D6/552
4,971,271	A *	11/1990	Sularz	248/68.1
5,316,246	A *	5/1994	Scott et al.	248/68.1
D376,309	S *	12/1996	Takai	D8/356
D404,580	S *	1/1999	Hasler	D6/320
D415,530	S *	10/1999	Ridder	D19/77
5,992,802	A *	11/1999	Campbell	248/68.1
6,227,502	B1 *	5/2001	Derman	248/74.4
6,360,051	B1 *	3/2002	Daoud	385/137
D459,977	S *	7/2002	Byrnes et al.	D8/357
6,415,932	B1 *	7/2002	Fiscus et al.	211/64
6,458,104	B2 *	10/2002	Gautsche	604/179
D485,161	S *	1/2004	Hutchinson	D8/383
D488,054	S *	4/2004	Myers	D8/356
H2203	H *	10/2007	Borchardt et al.	D8/396
7,314,142	B2 *	1/2008	Lyman, Jr.	B43K 23/002 206/214

D568,723	S *	5/2008	Morgan	D8/356
D580,661	S *	11/2008	Belokin	D6/315
D586,567	S *	2/2009	Heroux	D6/323
D587,101	S *	2/2009	Morgan	D8/356
D587,102	S *	2/2009	Morgan	D8/356
7,500,644	B2 *	3/2009	Naudet et al.	248/68.1
D606,323	S *	12/2009	Heroux	D6/323
7,712,709	B2 *	5/2010	Winchester	248/89
D638,690	S *	5/2011	Hoek	D8/356
D638,691	S *	5/2011	Hoek	D8/356
D638,692	S *	5/2011	Hoek	D8/356
D640,527	S *	6/2011	Hoek	D8/356
8,056,680	B2 *	11/2011	Brotten	182/221
D668,130	S *	10/2012	Pawluk	D8/356
D676,310	S *	2/2013	Lowrance	D8/356
D691,875	S *	10/2013	Ganski	D8/356
D691,878	S *	10/2013	Ganski	D8/356
D702,532	S *	4/2014	Garrido et al.	D8/354
8,900,196	B2 *	12/2014	Andino	604/174

(Continued)

*Primary Examiner* — Cynthia R Underwood

(74) *Attorney, Agent, or Firm* — ScienBiziP, P.C.

(57) **CLAIM**

The ornamental design for a cable clip, as shown and described.

**DESCRIPTION**

FIG. 1 is a front perspective view of a cable clip, showing my design.

FIG. 2 is a front elevation view thereof.

FIG. 3 is a rear elevation view thereof.

FIG. 4 is a left side elevation view thereof.

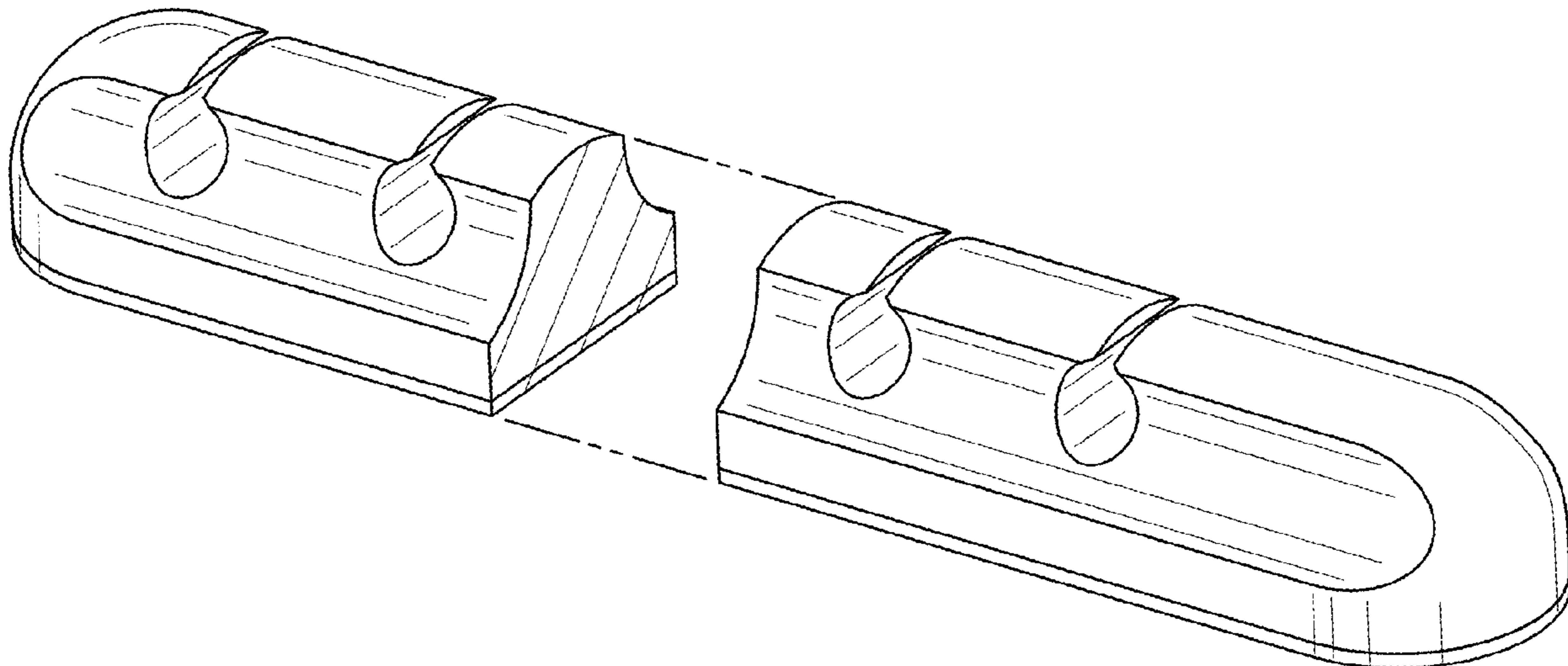
FIG. 5 is a right side elevation view thereof.

FIG. 6 is a top plan view thereof; and,

FIG. 7 is a bottom plan view thereof.

The broken lines in the drawings depict environmental structure and boundaries and form no part of the claimed design.

**1 Claim, 6 Drawing Sheets**



(56)

**References Cited**

U.S. PATENT DOCUMENTS

D720,606	S *	1/2015	Mathews et al. ....	D8/356
D728,349	S *	5/2015	Lake .....	D8/356
D784,118	S	4/2017	Reddy	
D836,072	S	12/2018	Gray	
D852,354	S *	6/2019	Wrangmark .....	D24/128
D877,899	S *	3/2020	Shepherd .....	D24/128
D896,955	S *	9/2020	Wiechman .....	D24/128
2003/0132352	A1 *	7/2003	Weaver .....	248/68.1
2005/0189453	A1 *	9/2005	DeGuevara .....	248/68.1
2010/0132979	A1 *	6/2010	Chen .....	174/135

\* cited by examiner

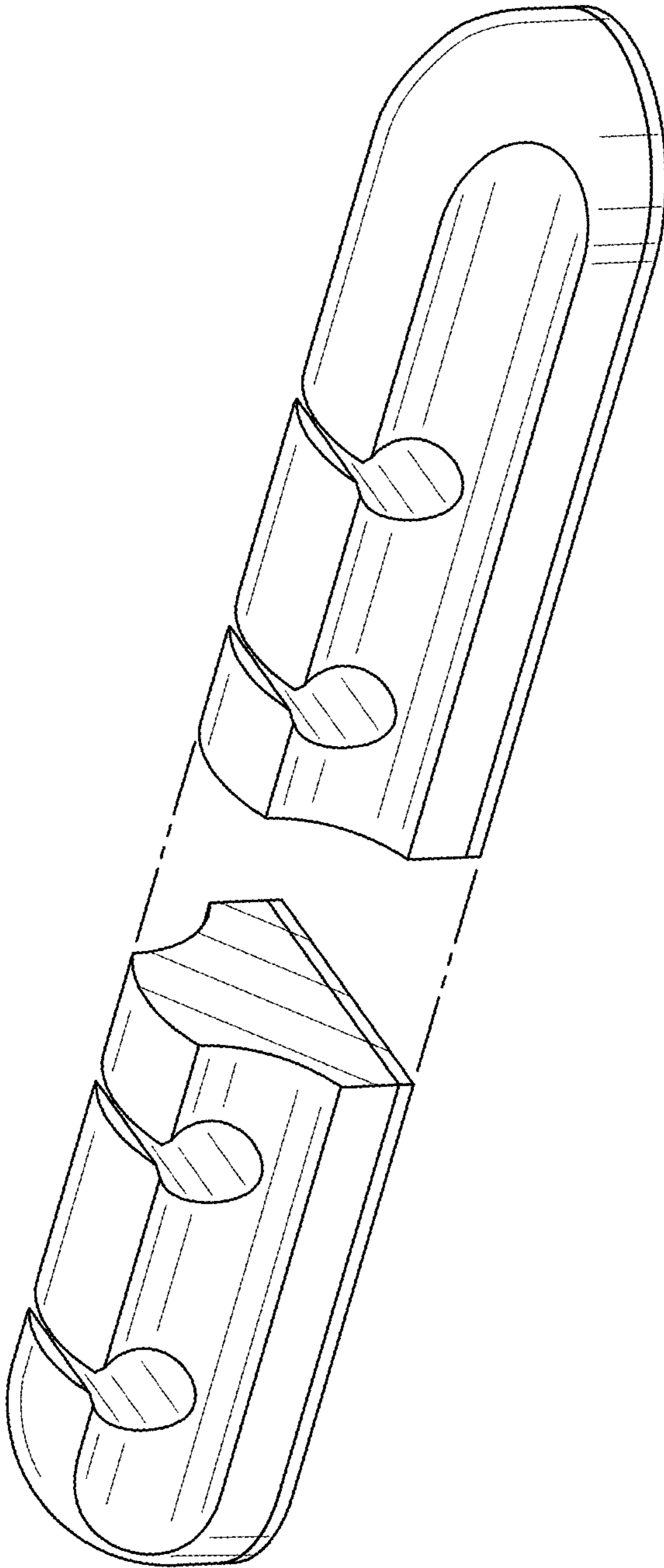


FIG.1

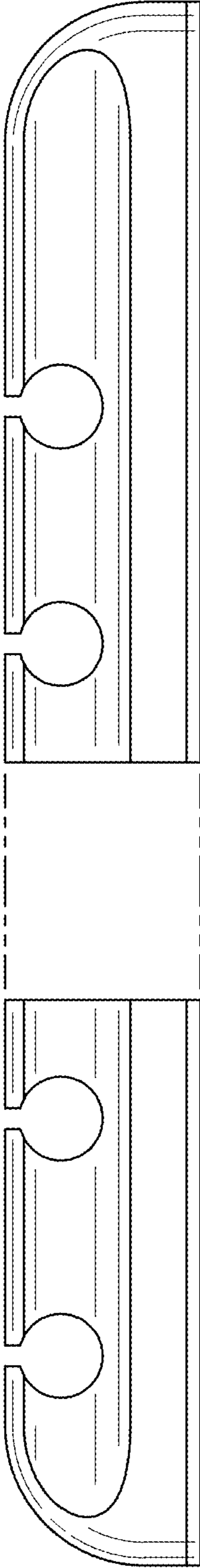


FIG.2

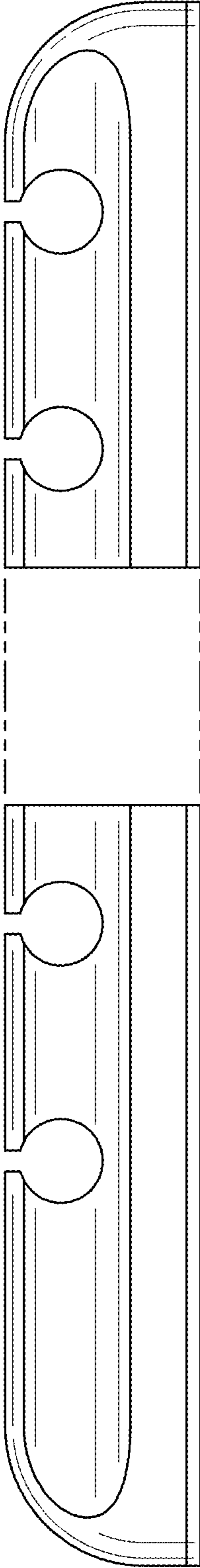


FIG. 3

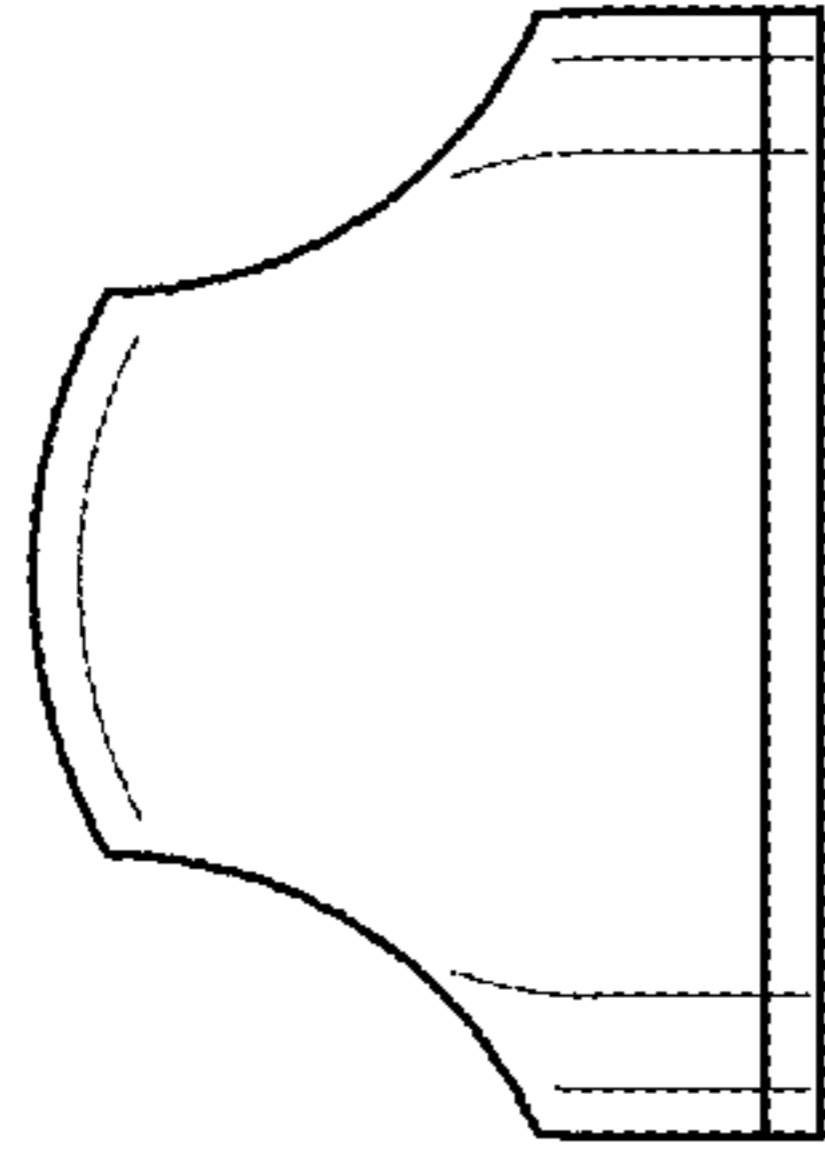


FIG.5

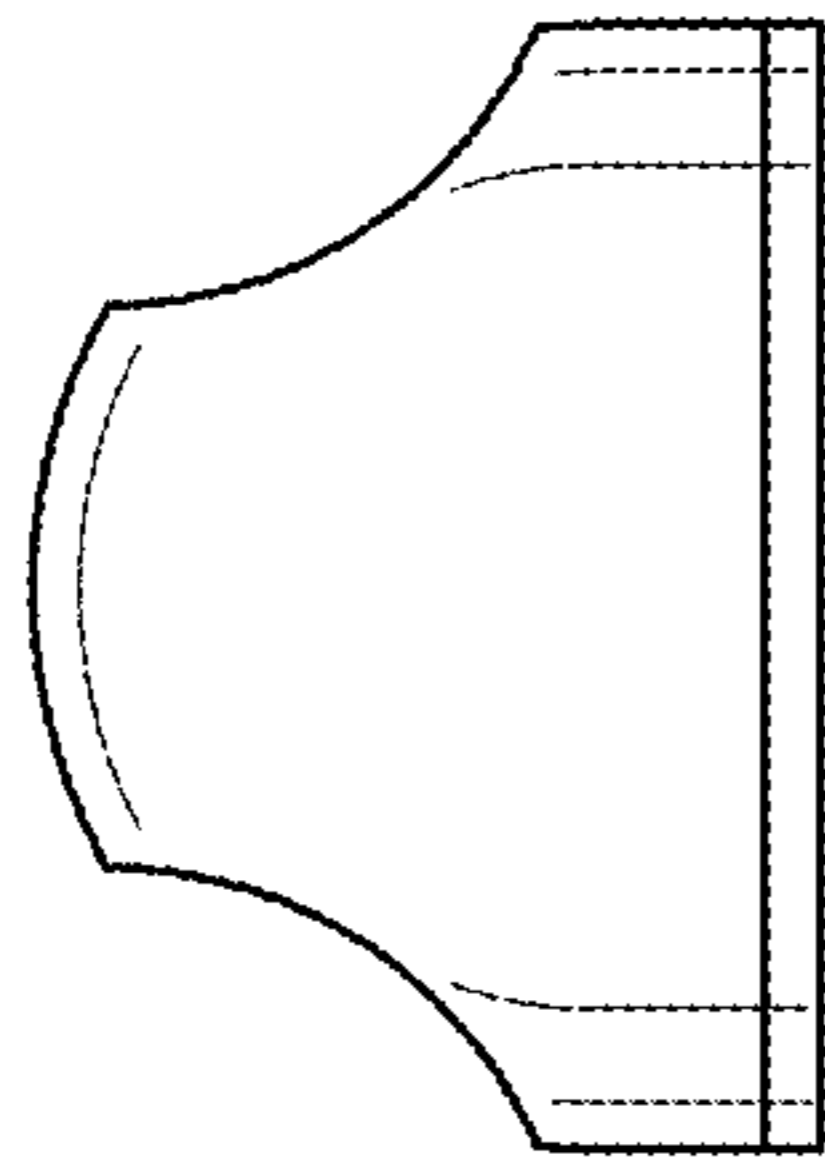


FIG.4

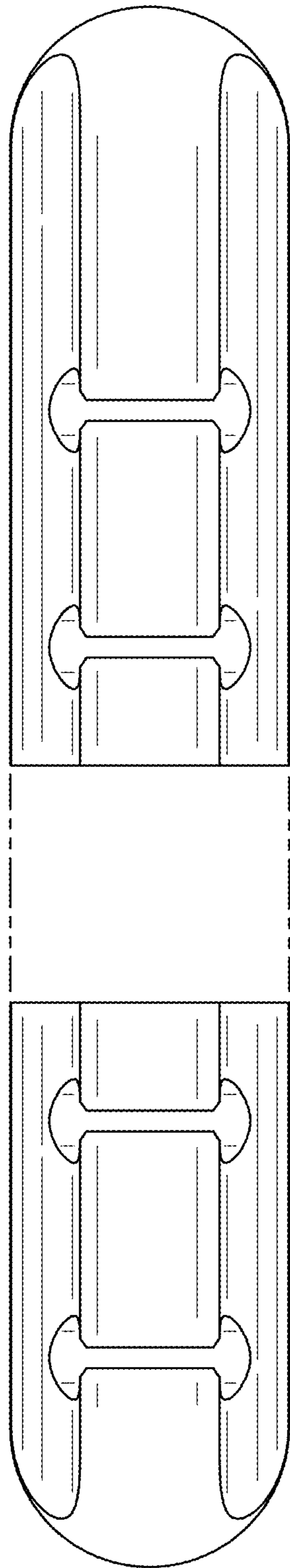


FIG.6



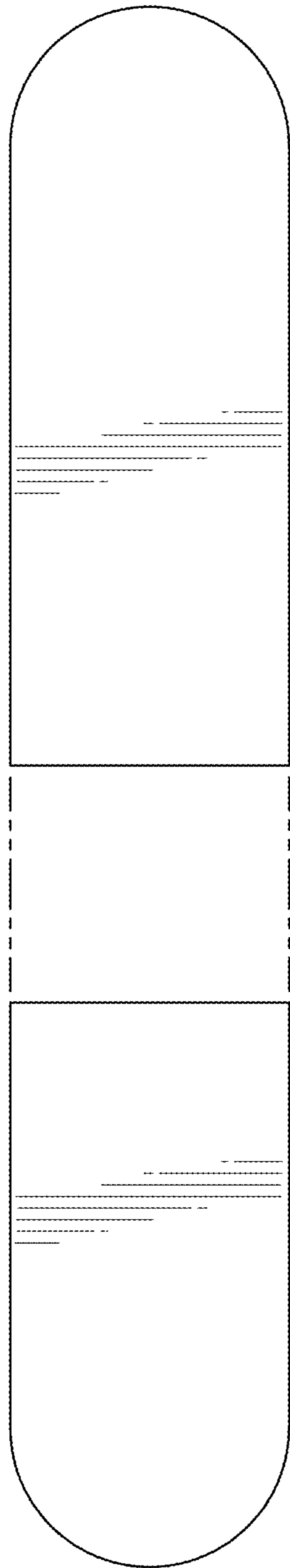


FIG. 7