



US00D909186S

(12) **United States Design Patent** (10) **Patent No.:** **US D909,186 S**
Wang (45) **Date of Patent:** **** Feb. 2, 2021**

(54) **QUILT CLIP**
(71) Applicant: **Jian Wang**, Xi'An (CN)
(72) Inventor: **Jian Wang**, Xi'An (CN)
(**) Term: **15 Years**
(21) Appl. No.: **29/676,046**
(22) Filed: **Jan. 8, 2019**
(51) **LOC (13) Cl.** **09-06**
(52) **U.S. Cl.**
USPC **D8/356; D8/367**
(58) **Field of Classification Search**
USPC D8/356, 354, 349, 394, 367, 395, 373
CPC B63B 21/045; B63B 59/02; H02G 7/12;
A47H 13/02
See application file for complete search history.

D722,913 S * 2/2015 Aagaard D11/93
D744,598 S * 12/2015 Hollywood D21/484
D791,764 S * 7/2017 von Badinski D14/344
D791,765 S * 7/2017 von Badinski D14/344
D810,555 S * 2/2018 O'Brien D8/394
D823,103 S * 7/2018 Glasscock D8/395
10,045,649 B2 * 8/2018 Zahner A47K 3/38
D834,932 S * 12/2018 Babbage D8/394
D859,964 S * 9/2019 Goskowski D8/367
D862,209 S * 10/2019 Fusi D8/356
10,670,146 B2 * 6/2020 Natabe F16J9/063
D892,607 S * 8/2020 Boscarello D8/394
2008/0236195 A1 * 10/2008 Woebke A44C 15/002
63/1.14
2015/0007950 A1 * 1/2015 Ho A47H 13/02
160/348
2018/0020861 A1 * 1/2018 Beyda A47H 13/02
160/124

* cited by examiner

Primary Examiner — Cynthia R Underwood
(74) *Attorney, Agent, or Firm* — Law Offices of Steven W. Weinrieb

(56) **References Cited**
U.S. PATENT DOCUMENTS

D299,313 S * 1/1989 Bussell D8/367
D304,675 S * 11/1989 Rogers D8/380
D336,731 S * 6/1993 Nichols, Jr. D8/382
D337,935 S * 8/1993 Hawley D8/367
D396,801 S * 8/1998 Petty D8/356
D445,021 S * 7/2001 Harvey D8/367
D499,955 S * 12/2004 Victory D8/367
D523,328 S * 6/2006 Ramos D8/382
7,107,789 B1 * 9/2006 Bruner A44C 5/2042
63/15
D558,032 S * 12/2007 Schiller D8/367
D608,629 S * 1/2010 Daugherty D8/395
D652,711 S * 1/2012 Lee D8/367
D668,091 S * 10/2012 Zahner D6/580
D668,941 S * 10/2012 Taurins D8/370
D709,545 S * 7/2014 Goff D16/245

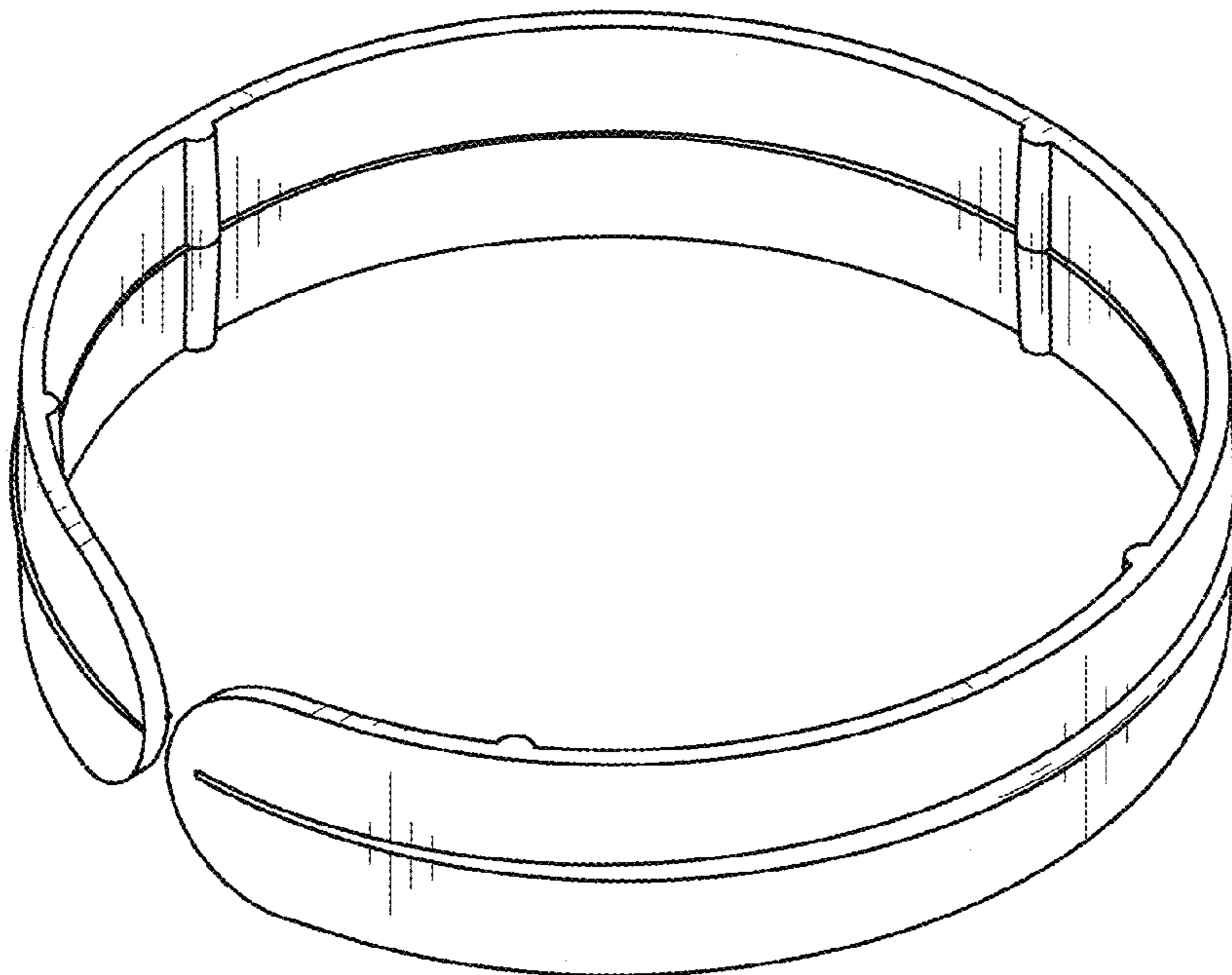
(57) **CLAIM**

The ornamental design for a quilt clip, as shown and described.

DESCRIPTION

FIG. 1 is a front, right side, top perspective view of the quilt clip showing my new design;
FIG. 2 is a front elevational view thereof;
FIG. 3 is a rear elevational view thereof;
FIG. 4 is a left side elevational view thereof;
FIG. 5 is a right side elevational view thereof;
FIG. 6 is a top plan view thereof; and,
FIG. 7 is a bottom plan view thereof.

1 Claim, 7 Drawing Sheets



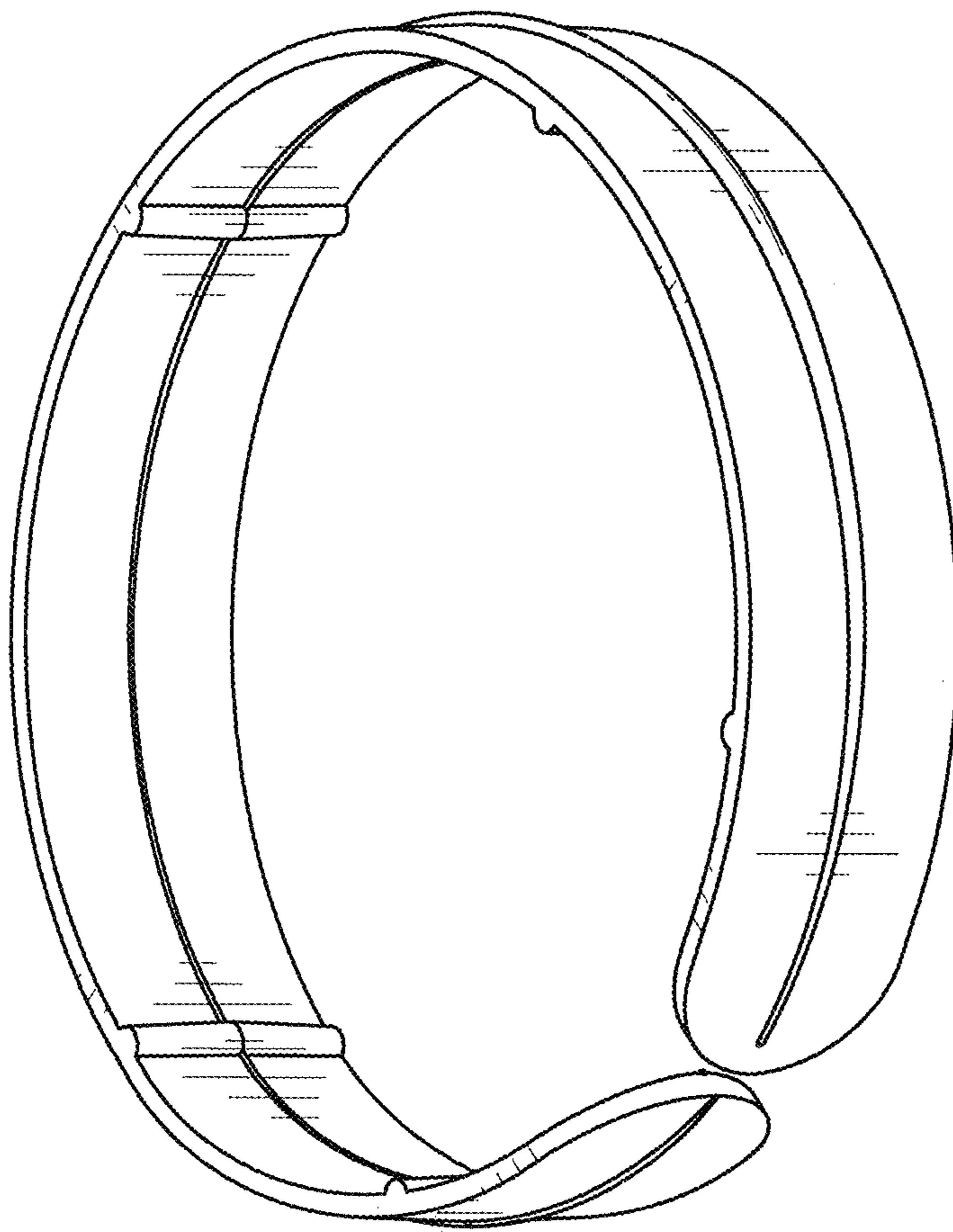


FIG. 1

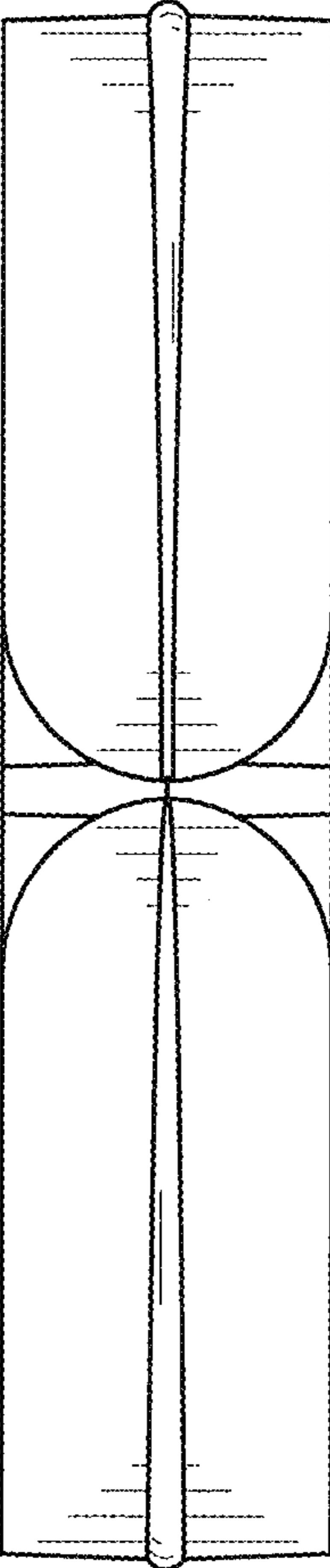


FIG. 2

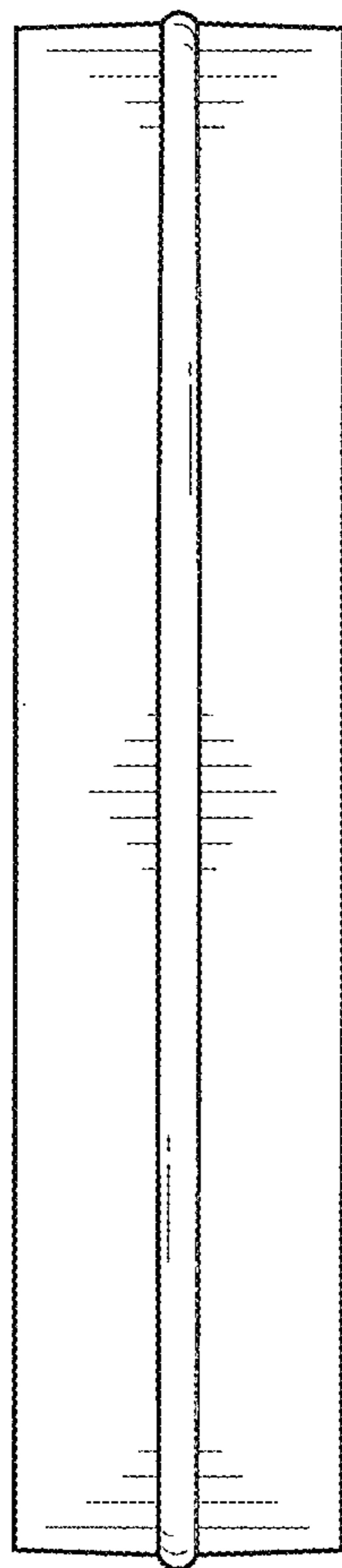


FIG. 3

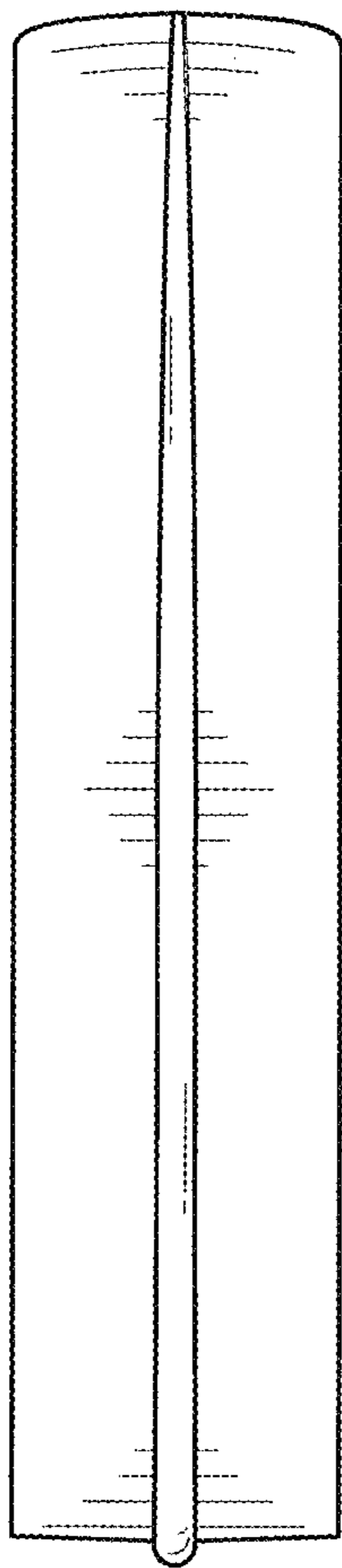


FIG. 4

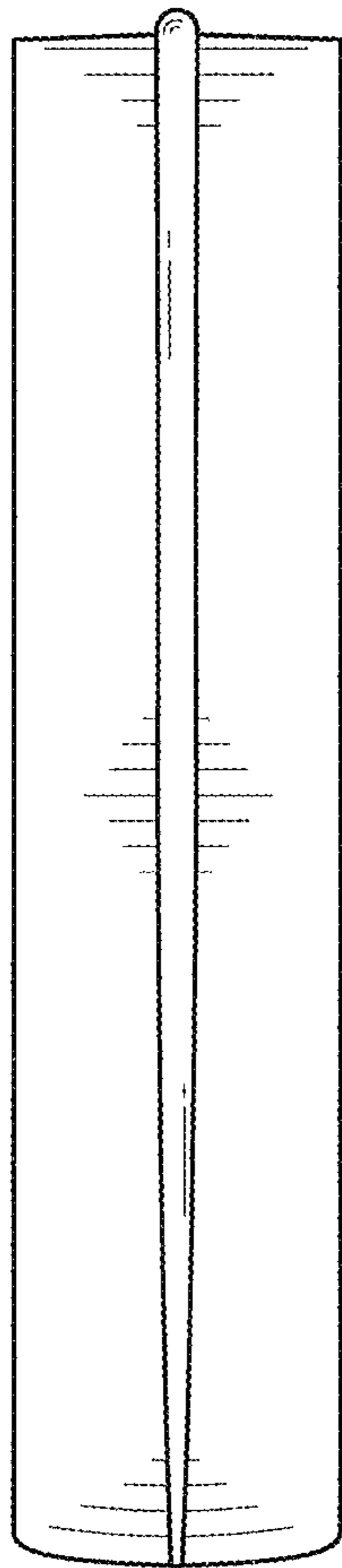


FIG. 5

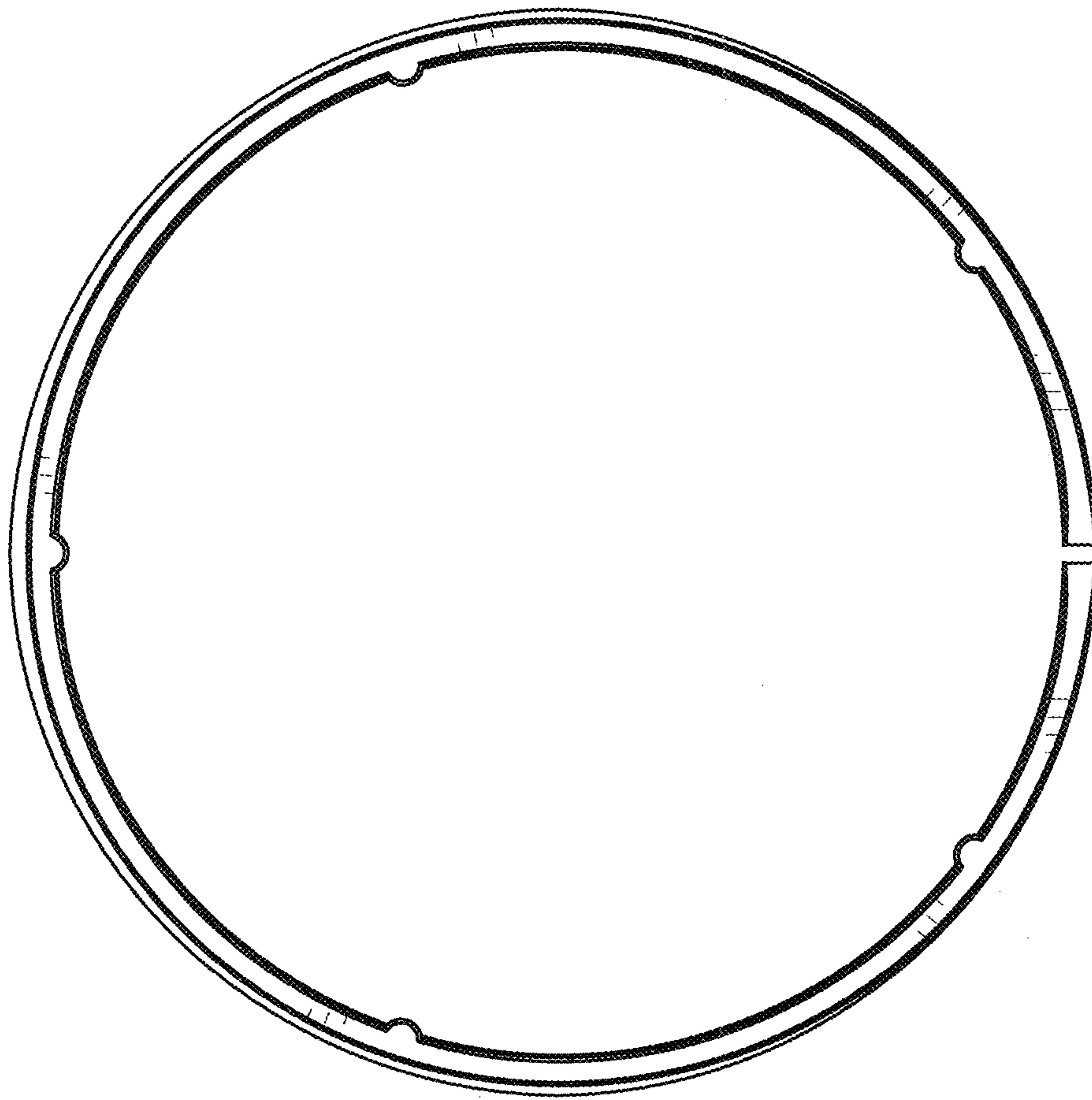


FIG. 6

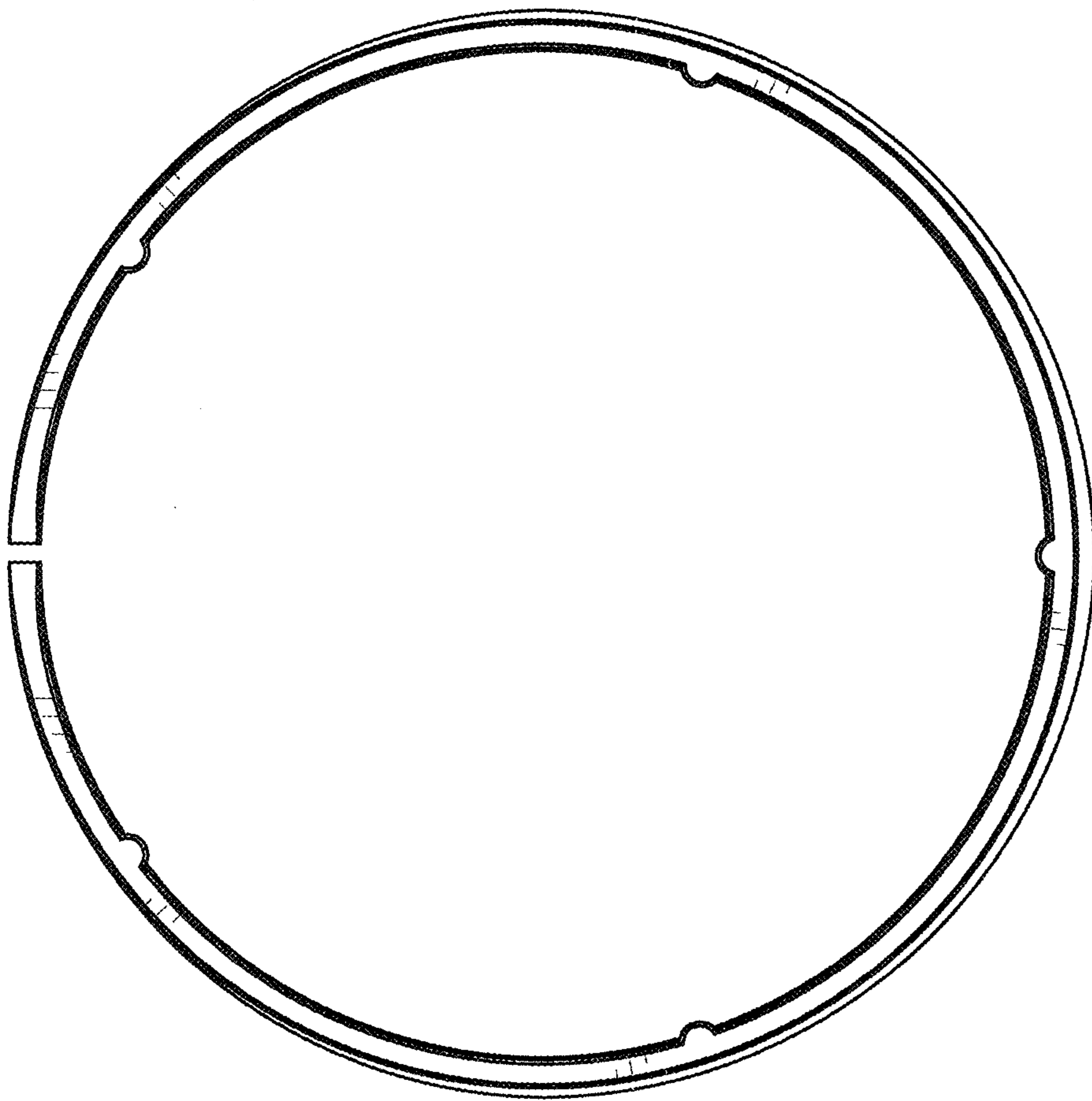


FIG. 7