



US00D909183S

(12) **United States Design Patent** (10) **Patent No.:** **US D909,183 S**
Chen (45) **Date of Patent:** **** Feb. 2, 2021**

(54) **BUCKLE NAIL**
(71) Applicant: **OTRAJET INC.**, Taichung (TW)
(72) Inventor: **Ching-Hao Chen**, Taichung (TW)
(73) Assignee: **OTRAJET INC.**, Taichung (TW)
(**) Term: **15 Years**
(21) Appl. No.: **29/678,668**
(22) Filed: **Jan. 30, 2019**
(51) **LOC (13) Cl.** **08-05**
(52) **U.S. Cl.**
USPC **D8/354; D8/393**
(58) **Field of Classification Search**
USPC D8/385, 387, 388, 391, 393, 349, 354,
D8/382; D9/439
CPC B60B 21/021; B60B 21/025; B60C 7/24;
B60C 2200/12; F16B 21/084; B65D
47/121; B65D 39/0011; B65D 39/0047;
B65D 39/0041
See application file for complete search history.

4,532,926 A * 8/1985 O'Holla A61B 17/0643
606/220
4,776,739 A * 10/1988 Hamman F16B 21/084
411/510
D298,801 S * 12/1988 Satoh D8/382
5,113,553 A * 5/1992 Hutchinson A44B 17/0029
24/108
5,261,914 A * 11/1993 Warren A61B 17/68
606/323
5,423,858 A * 6/1995 Bolanos A61B 17/0057
24/297
D380,667 S * 7/1997 Kanamori D8/382
5,672,038 A * 9/1997 Eaton F16B 15/06
411/510
5,810,242 A * 9/1998 Cahill B65D 5/46024
229/117.25
6,039,523 A * 3/2000 Kraus F16B 5/0628
411/48
D436,843 S * 1/2001 Mudryk D8/382
D462,257 S * 9/2002 Alexander D8/391
6,796,760 B1 * 9/2004 Tanner F16B 41/002
411/104

(Continued)

Primary Examiner — Sandra Snapp
Assistant Examiner — Ieisha N Price
(74) *Attorney, Agent, or Firm* — Guice Patents PLLC

(56) **References Cited**

U.S. PATENT DOCUMENTS

2,028,528 A * 1/1936 Sipe F16B 19/02
411/455
3,244,057 A * 4/1966 Mathison F16B 15/06
411/397
3,481,242 A * 12/1969 Topf F16B 19/1081
411/502
3,483,787 A * 12/1969 Saunders F16B 19/004
411/510
3,494,244 A * 2/1970 Wayland F16B 21/084
411/510
3,810,279 A * 5/1974 Swick F16B 21/084
411/509
3,905,570 A * 9/1975 Nieuwveld F16L 3/13
248/71

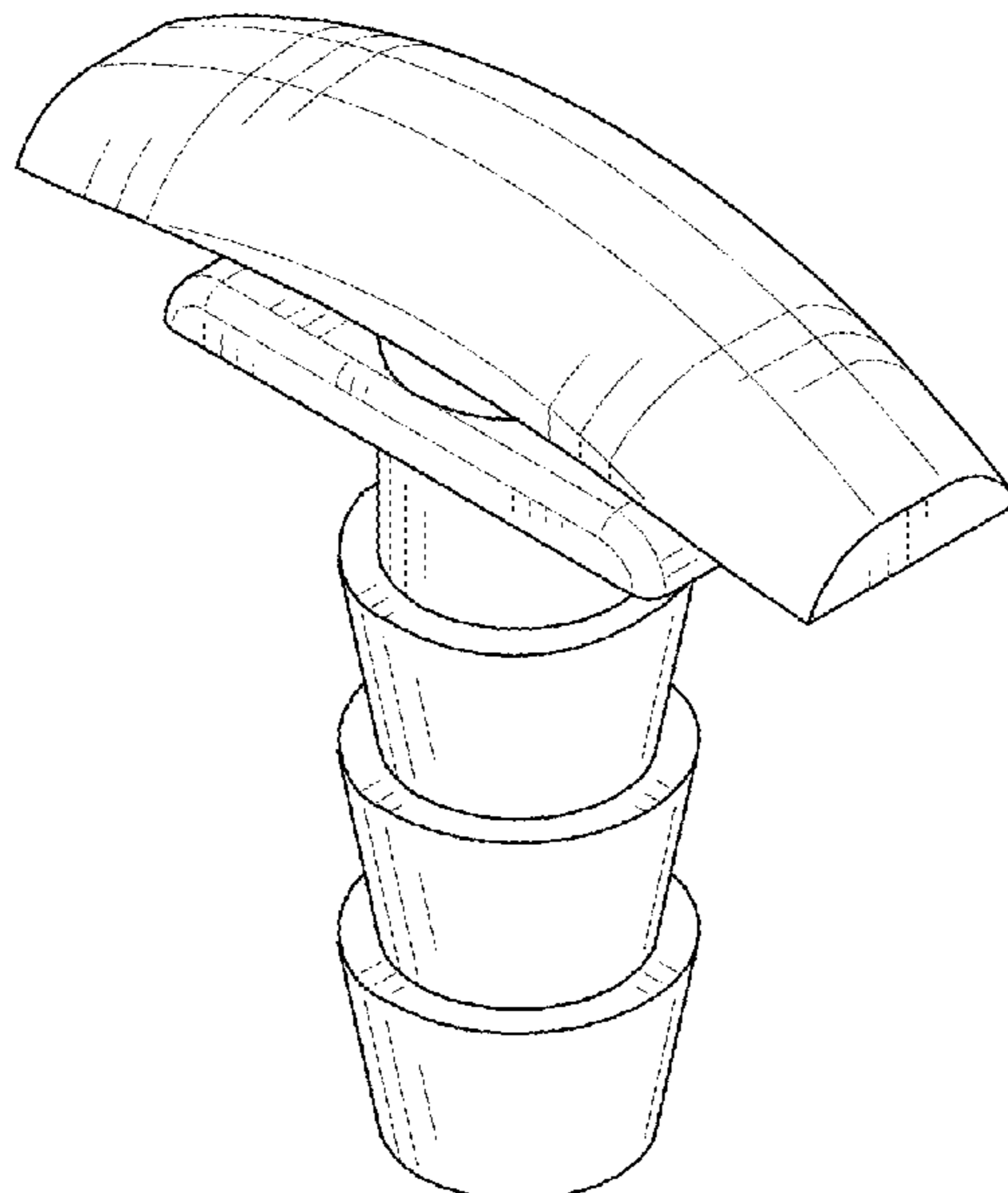
(57) **CLAIM**

The ornamental design for a buckle nail, as shown and described.

DESCRIPTION

FIG. 1 is a perspective view of a buckle nail showing our new design;
FIG. 2 is a front view thereof;
FIG. 3 is a rear view thereof;
FIG. 4 is a left side view thereof;
FIG. 5 is a right side view thereof;
FIG. 6 is a top view thereof; and,
FIG. 7 is a bottom view thereof.

1 Claim, 4 Drawing Sheets



(56)

References Cited

U.S. PATENT DOCUMENTS

6,860,454 B1 *	3/2005	Gronowicz, Jr.	H02G 3/30 248/67.7	2010/0196091 A1 *	8/2010	Selle	F16B 5/0628 403/409.1
7,374,557 B2 *	5/2008	Conlon	A61F 5/0003 604/175	2011/0117355 A1 *	5/2011	Selle	F16B 12/20 428/223
7,503,528 B2 *	3/2009	Adams	F16B 5/0685 24/297	2012/0145227 A1 *	6/2012	Jun	F24S 25/33 136/251
8,656,563 B2 *	2/2014	Hiramatsu	F16B 37/043 24/297	2015/0219136 A1 *	8/2015	Koelling	F16B 21/084 411/510
9,445,548 B1 *	9/2016	Hicks	A47G 7/044	2015/0224825 A1 *	8/2015	Chen	B60C 7/24 152/379.4
9,624,956 B2 *	4/2017	Ishizaka	F16B 19/004	2015/0308538 A1 *	10/2015	Morris	F16F 15/08 403/282
10,495,126 B2 *	12/2019	Bejin	F16L 3/137	2015/0360511 A1 *	12/2015	Teixeira	B60B 21/125 152/544
10,653,462 B2 *	5/2020	Chen	A61B 17/1682	2016/0348708 A1 *	12/2016	Lo	F16B 21/086
D891,235 S *	7/2020	Liebelt	D8/382	2017/0247060 A1 *	8/2017	Jarvis	F16B 21/086
2004/0083583 A1 *	5/2004	Bradley	F16B 5/0657 24/297	2017/0282649 A1 *	10/2017	Chen	B60C 7/24
2007/0147975 A1 *	6/2007	Homner	F16B 19/00 411/510	2018/0119716 A1 *	5/2018	Freis	F16B 19/04
2009/0169335 A1 *	7/2009	Yuta	F16B 21/084 411/431	2019/0085886 A1 *	3/2019	Davis	F16B 12/22
				2020/0224697 A1 *	7/2020	Liebelt	F16B 37/14

* cited by examiner

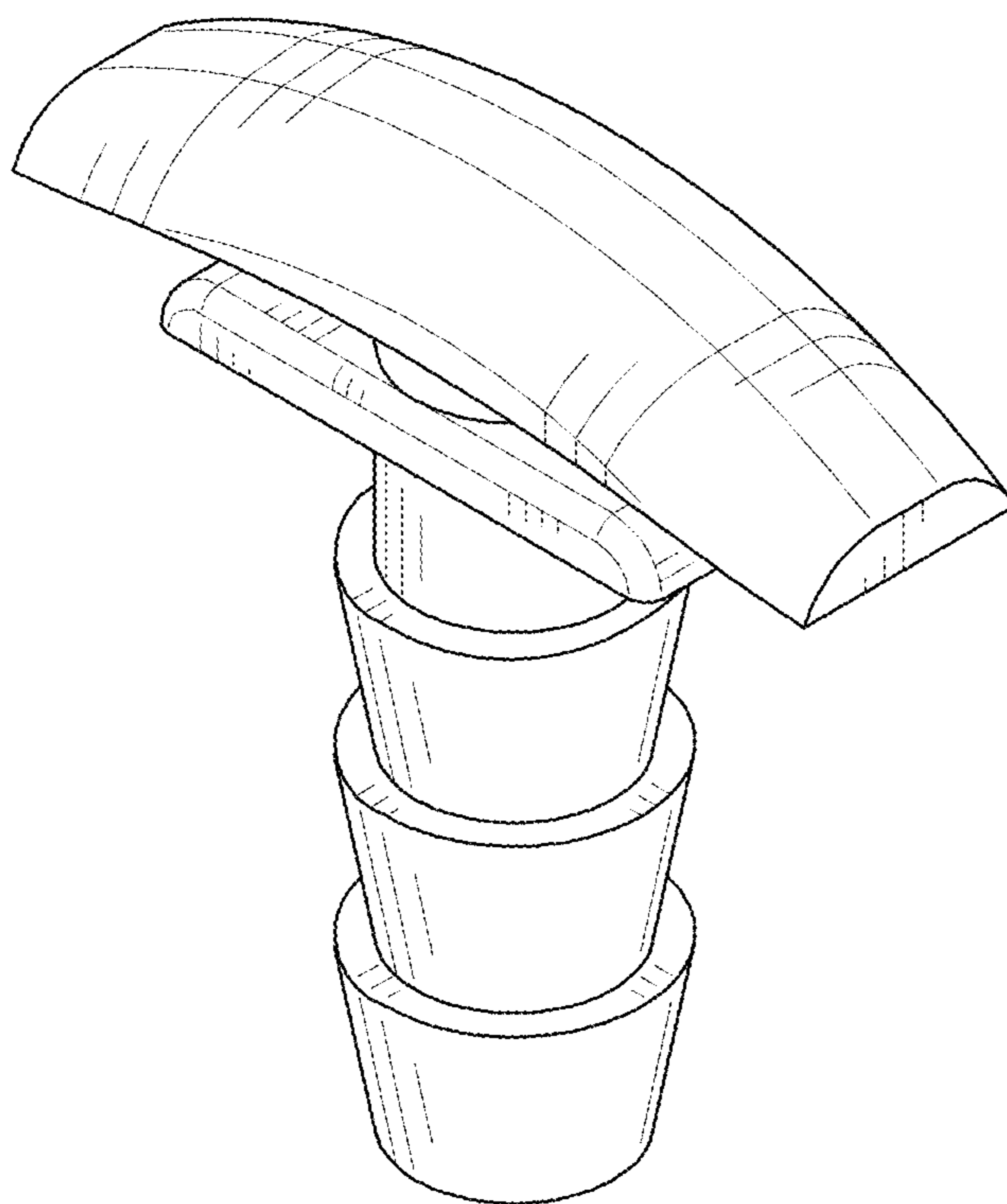


Fig. 1

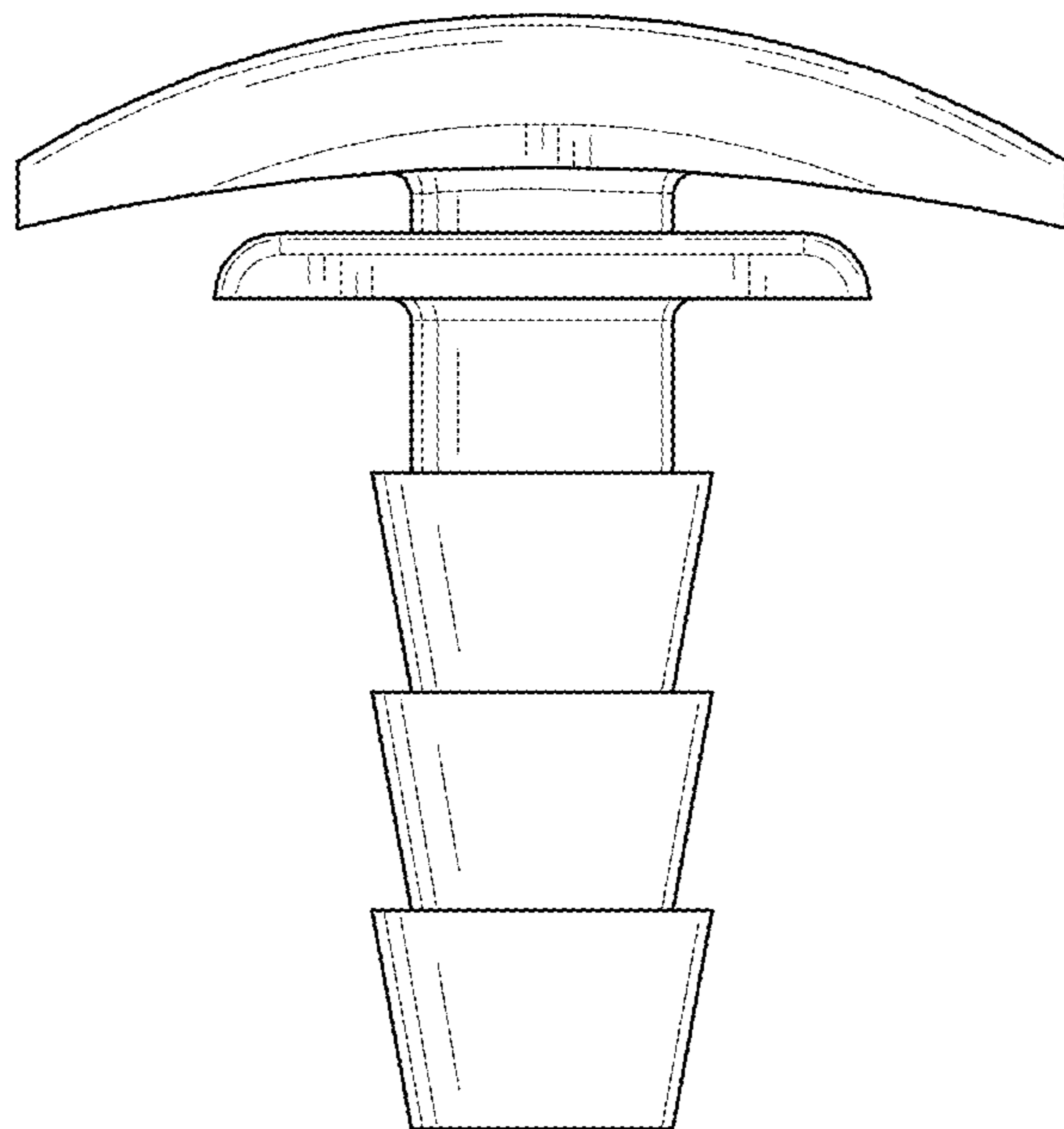


Fig. 2

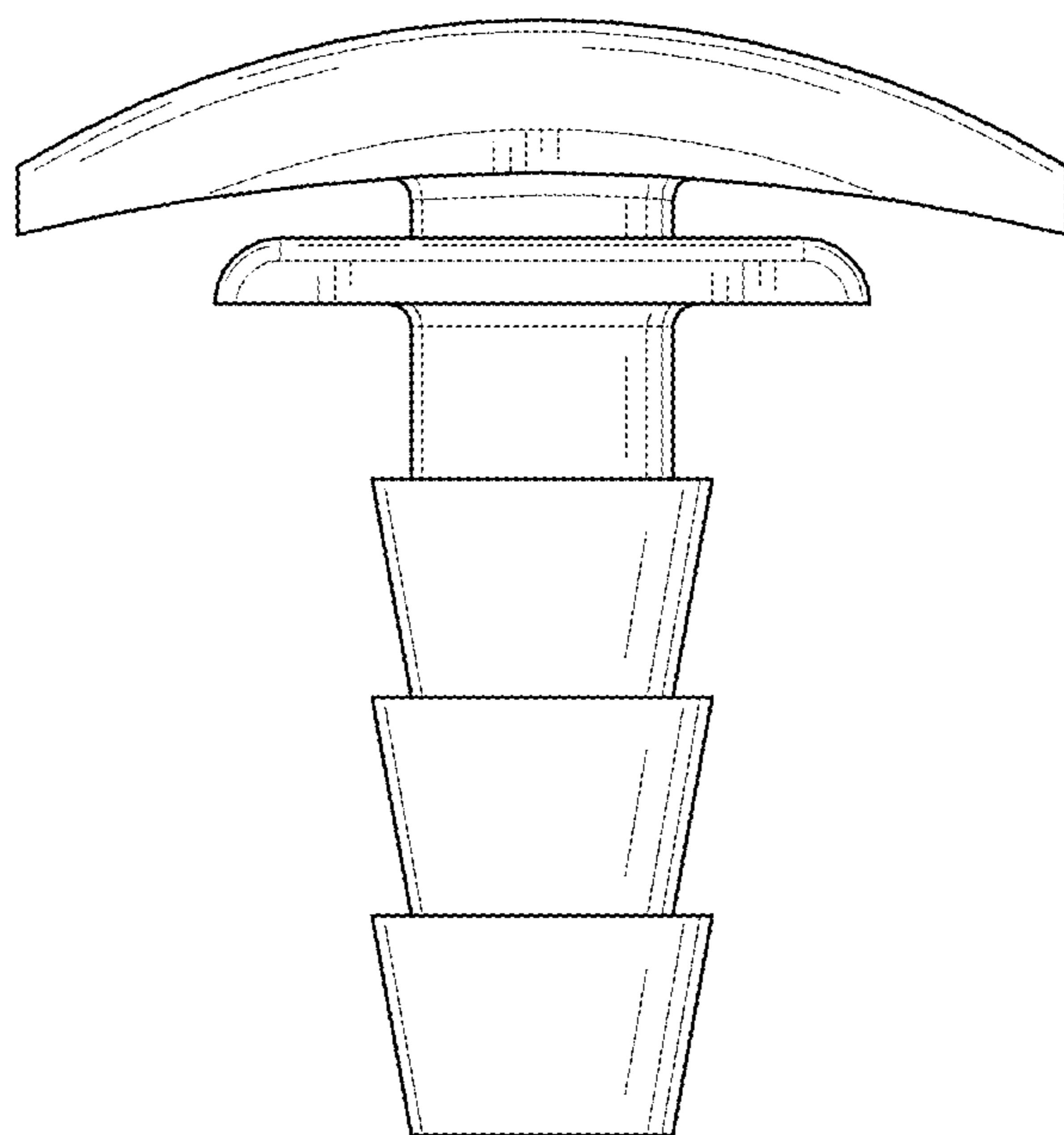


Fig. 3

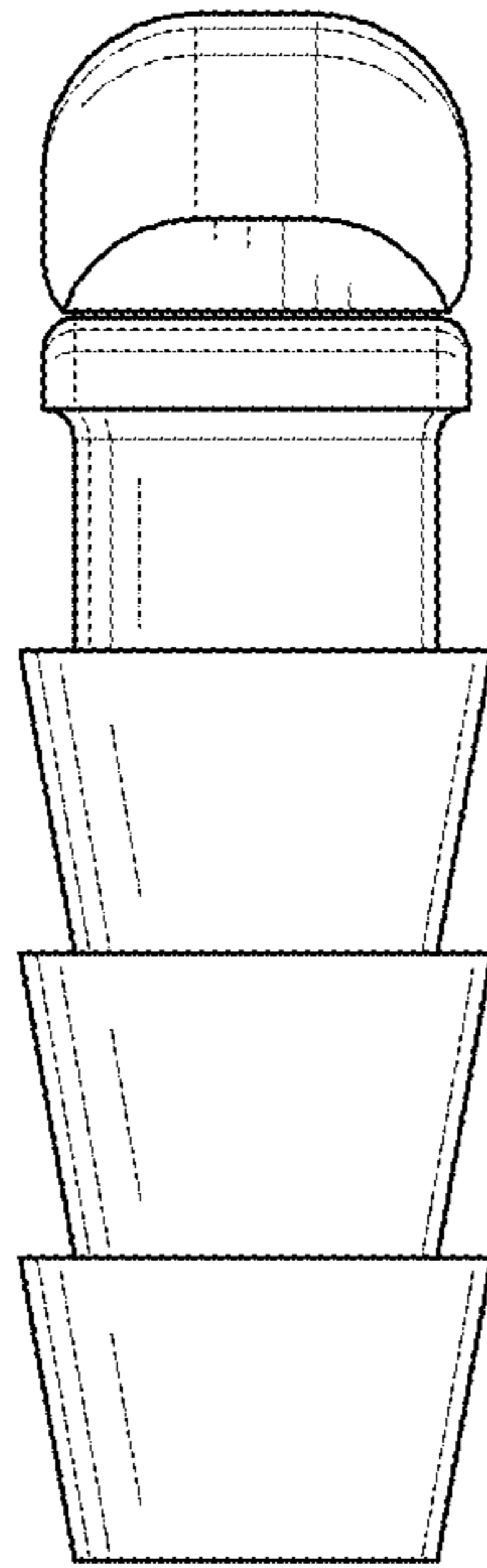


Fig. 4

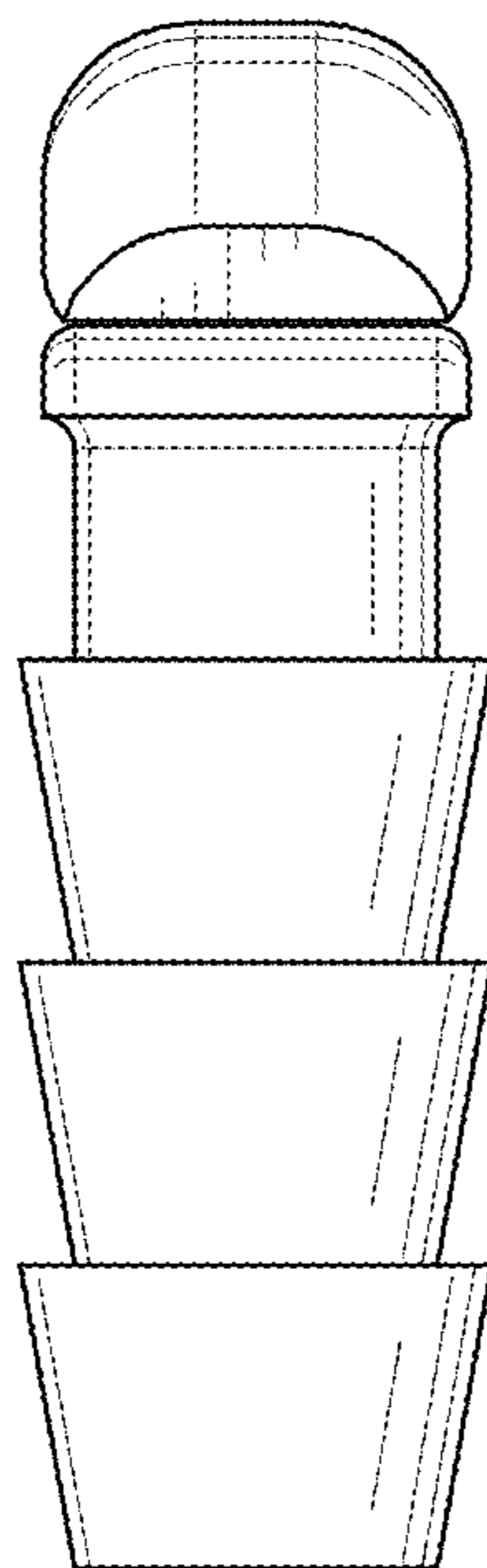


Fig. 5

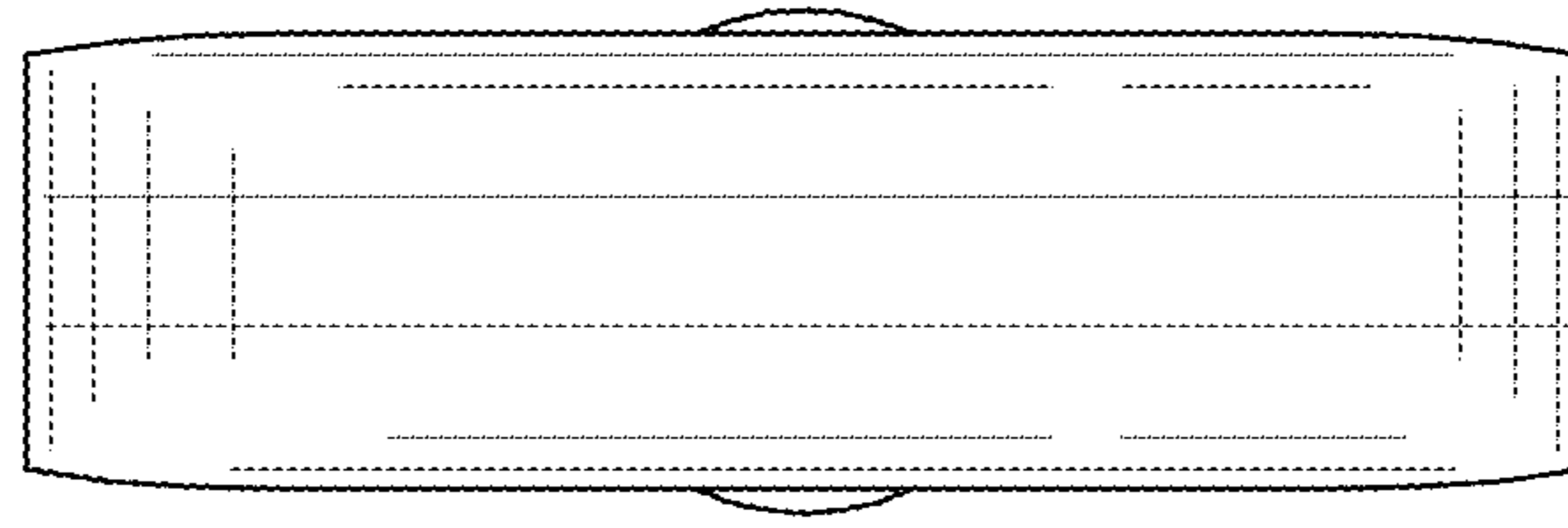


Fig. 6

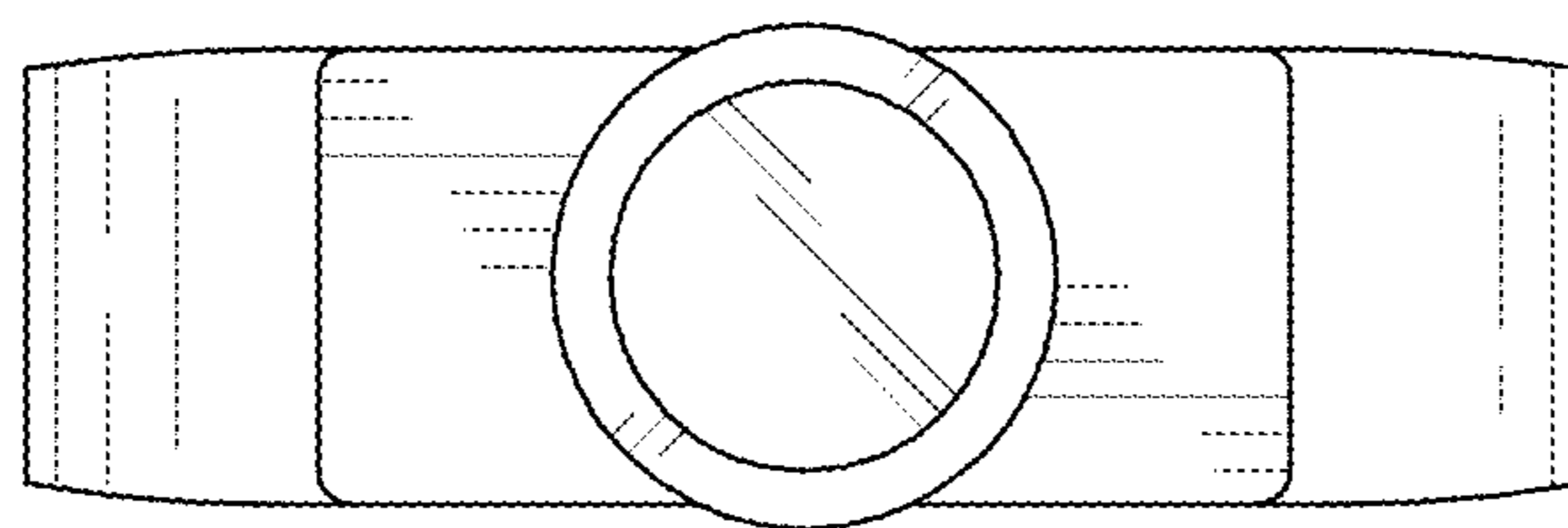


Fig. 7