



US00D909180S

(12) **United States Design Patent**
Kovacs

(10) **Patent No.:** **US D909,180 S**

(45) **Date of Patent:** **** Feb. 2, 2021**

(54) **MOUNTING RAIL AND SLOT CONNECTOR ASSEMBLY**

(71) Applicant: **PMC INDUSTRIES, INC**, Plainville, CT (US)

(72) Inventor: **Tamas Kovacs**, Burlington, CT (US)

(73) Assignee: **PMC Industries, Inc**, Plainville, CT (US)

(**) Term: **15 Years**

(21) Appl. No.: **29/718,310**

(22) Filed: **Dec. 23, 2019**

(51) **LOC (13) Cl.** **08-08**

(52) **U.S. Cl.**
USPC **D8/349**

(58) **Field of Classification Search**
USPC D8/349, 354, 364, 382, 394, 395;
D14/432-461
CPC G06F 1/1616; G06F 1/1626; G06F 1/1632;
H01M 10/44; F16M 11/10; H02J 7/0042;
H02J 7/00; H02J 7/0027; H02J 7/0044;
H02J 7/0045; H02J 7/355; H01R 31/065
See application file for complete search history.

(56) **References Cited**

U.S. PATENT DOCUMENTS

5,203,135	A *	4/1993	Bastian	F16B 7/0413	403/292
D360,126	S *	7/1995	Rosen	D8/349	
6,269,596	B1 *	8/2001	Ohtsuka	E04D 3/366	52/173.3
6,370,828	B1 *	4/2002	Genschorek	F24S 25/632	52/200
7,043,884	B2 *	5/2006	Moreno	E04F 13/0808	52/235
D670,159	S *	11/2012	Bitarchas	D8/394	

D767,983	S *	10/2016	Jiang	D8/394	
D779,308	S *	2/2017	West	D8/349	
9,804,652	B2 *	10/2017	Volek	G06F 1/1601	
D817,741	S *	5/2018	West	D8/349	
D828,142	S *	9/2018	Macdonald	D8/349	
D831,465	S *	10/2018	Macdonald	D8/349	
10,745,148	B2 *	8/2020	Bin	F16M 13/022	
10,745,149	B2 *	8/2020	Sun	B64D 47/08	
2009/0025314	A1 *	1/2009	Komamine	F24S 25/67	52/173.3

(Continued)

Primary Examiner — Mark A Goodwin

Assistant Examiner — Benjamin M Weeks

(74) *Attorney, Agent, or Firm* — Wasserbauer Law LLC;
Damian Wasserbauer, Esq.

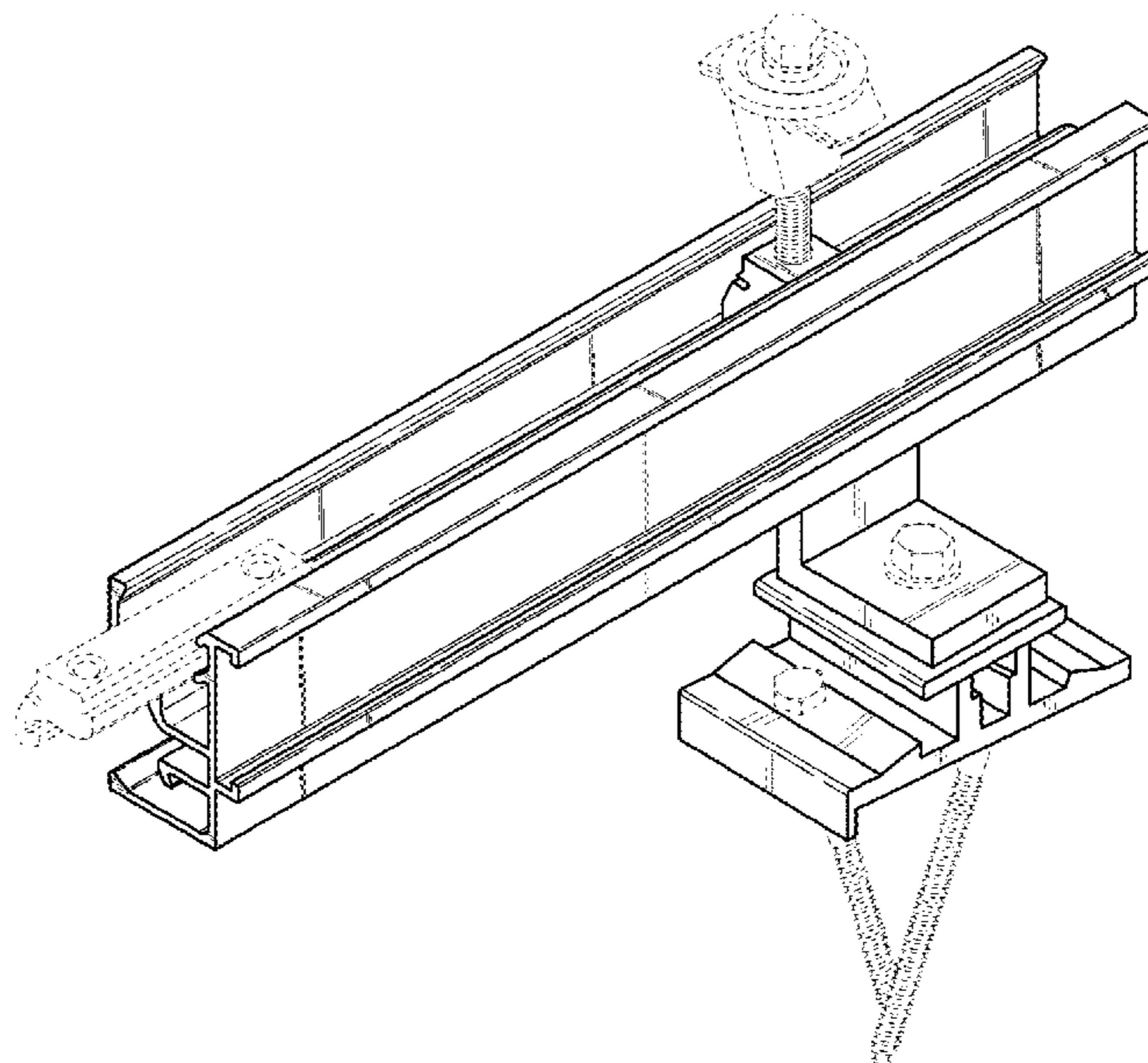
(57) **CLAIM**

I claim the ornamental design for a mounting rail and slot connector assembly, as shown and described.

DESCRIPTION

FIG. 1 is a perspective of the mounting rail and slot connector assembly showing my new design;
 FIG. 2 is a front view of the mounting rail and slot connector assembly;
 FIG. 3 is a back view of the mounting rail and slot connector assembly;
 FIG. 4 is a left side view of the mounting rail and slot connector assembly;
 FIG. 5 is a right side view of the mounting rail and slot connector assembly;
 FIG. 6 is a top view of the mounting rail and slot connector assembly; and,
 FIG. 7 is a bottom view of the mounting rail and slot connector assembly.
 The broken line showing of mounting rail and slot connector assembly is included for the purpose of illustrating unclaimed matter and forms no part of the claimed design.

1 Claim, 7 Drawing Sheets



(56)

References Cited

U.S. PATENT DOCUMENTS

2011/0179727 A1* 7/2011 Liu F24S 25/30
52/173.3
2013/0320166 A1* 12/2013 Kemple F24S 25/636
248/220.22
2014/0341645 A1* 11/2014 Liu F16B 2/065
403/311
2015/0280638 A1* 10/2015 Stephan H02S 20/23
52/173.3
2015/0280639 A1* 10/2015 Atchley H02S 20/23
248/237

* cited by examiner

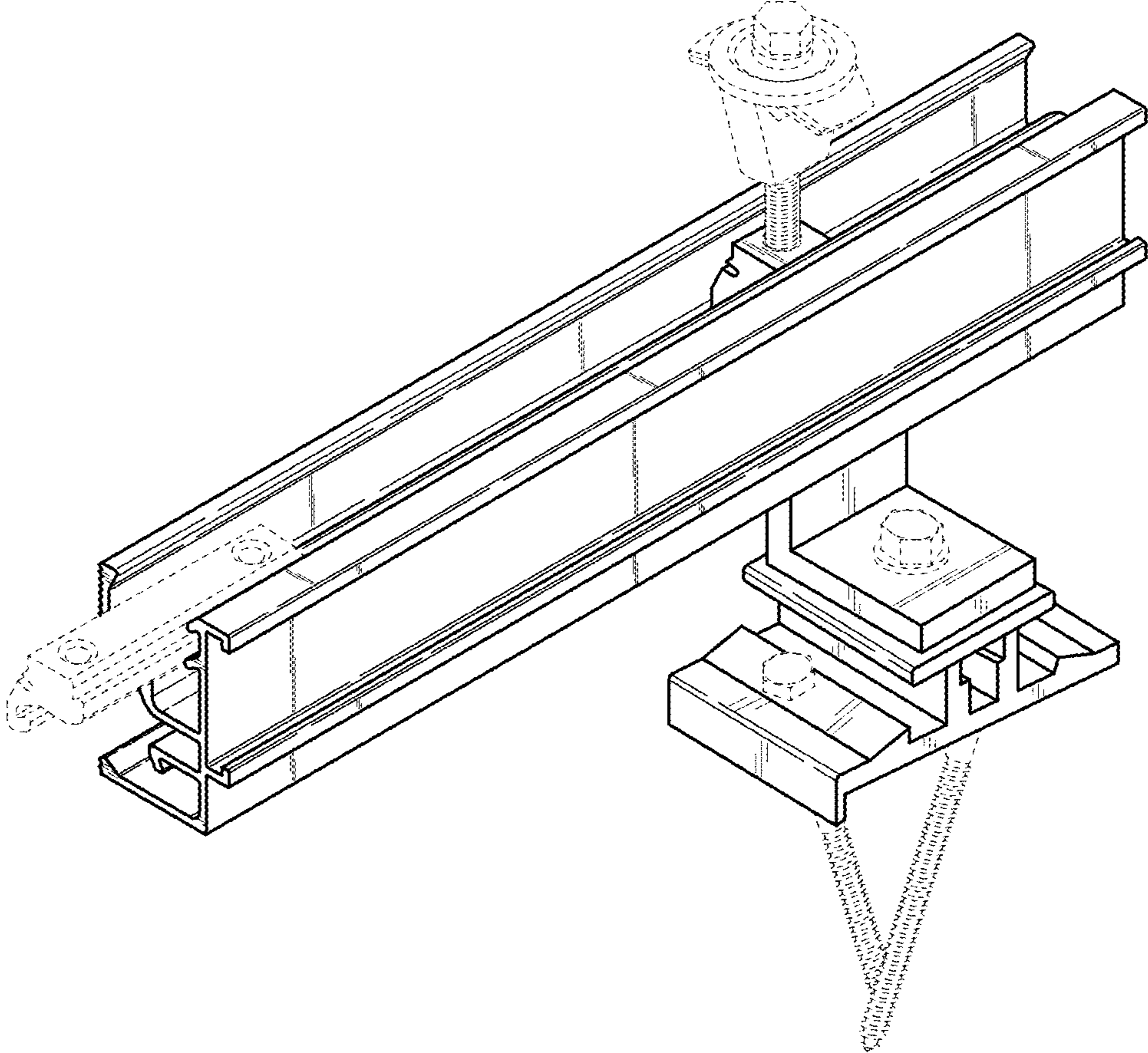


FIG. 1

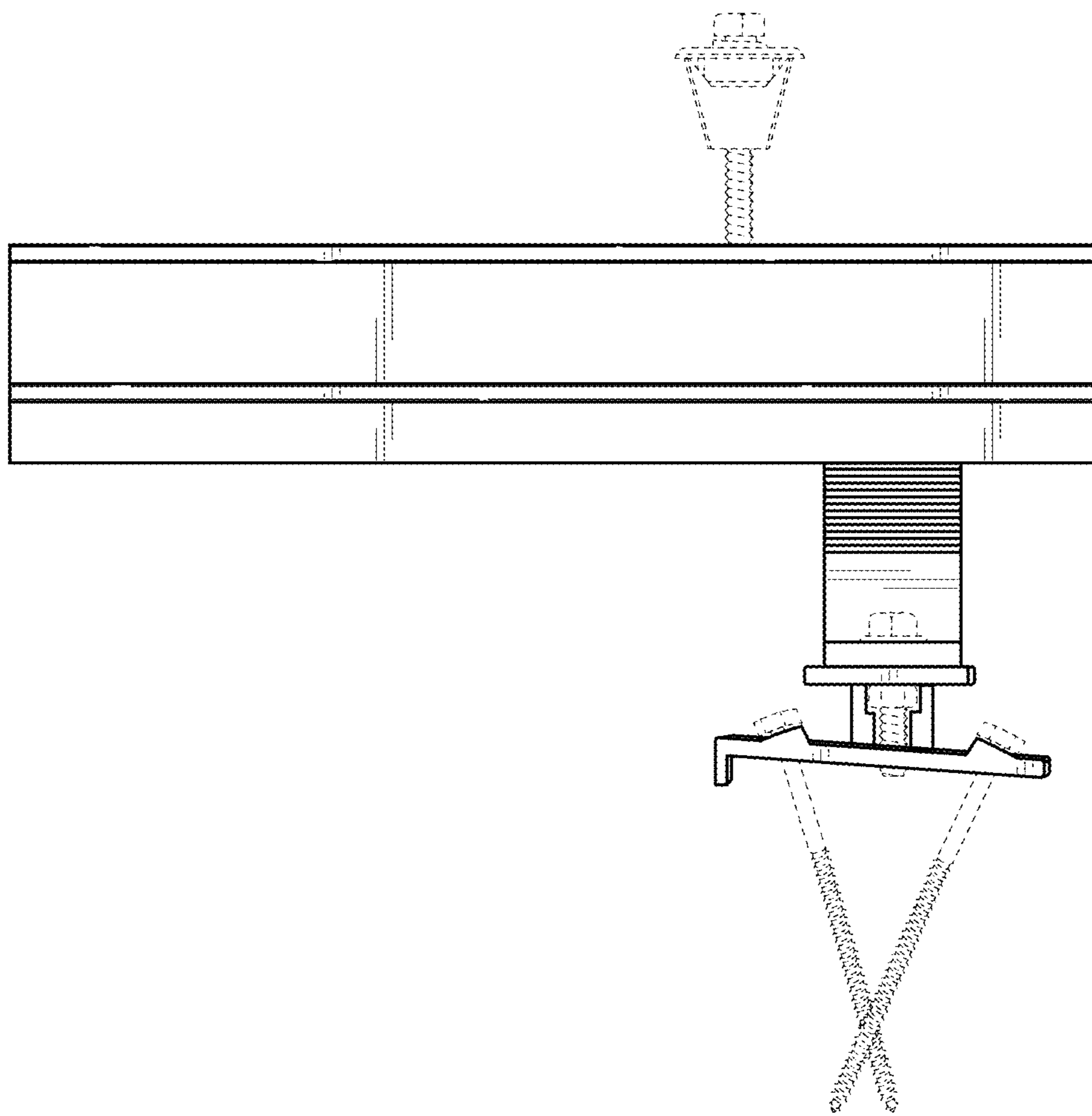


FIG. 2

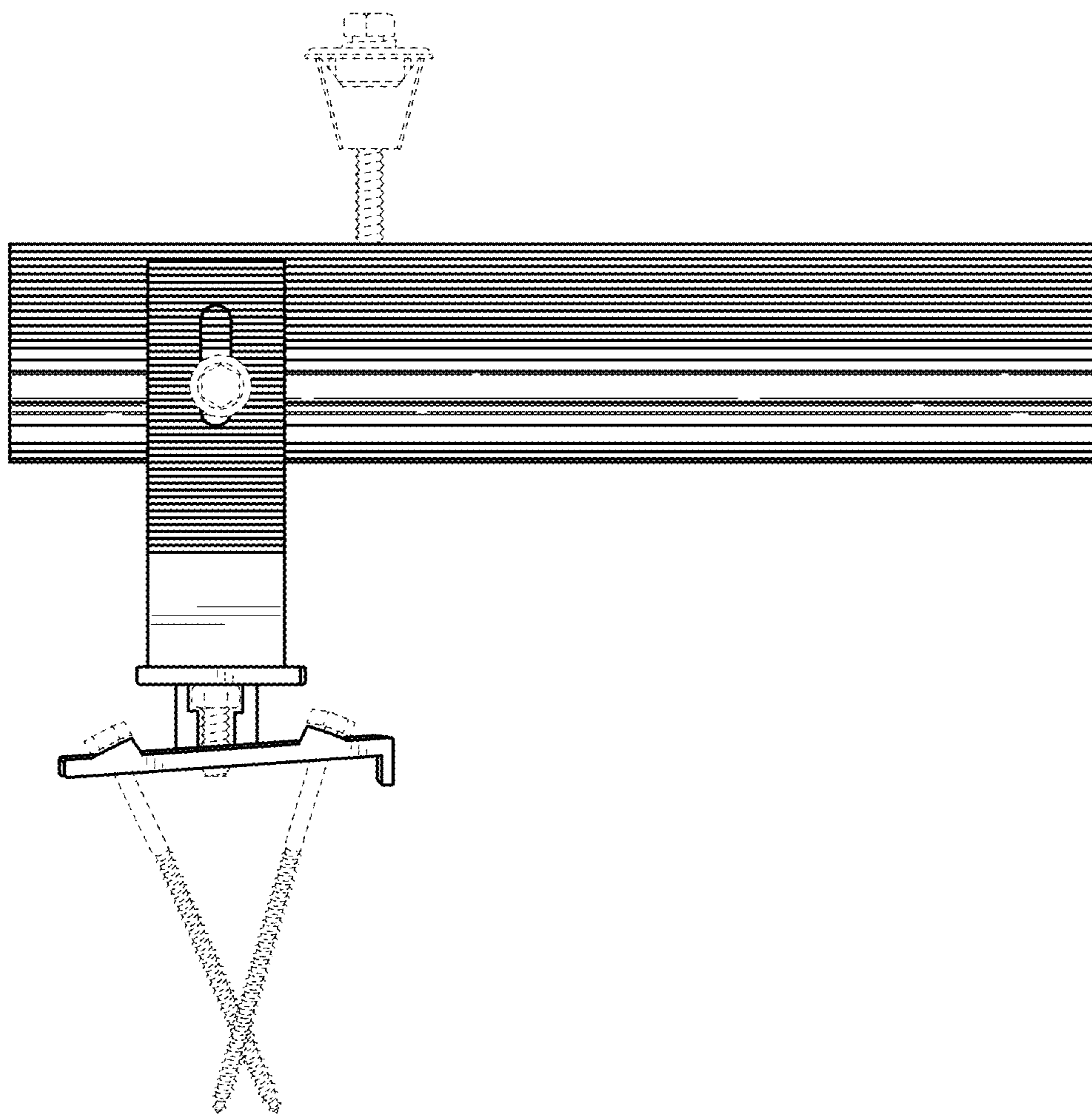


FIG. 3

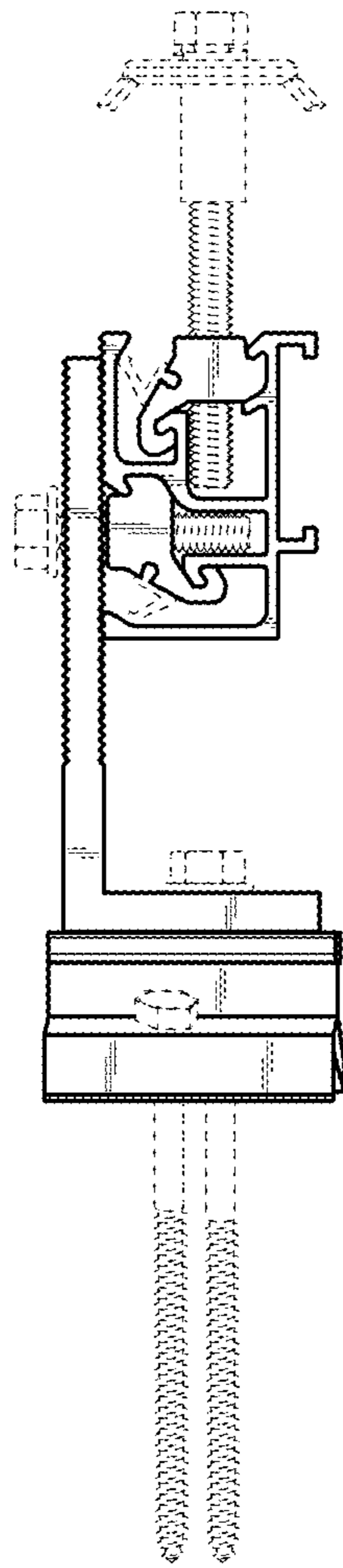


FIG. 4

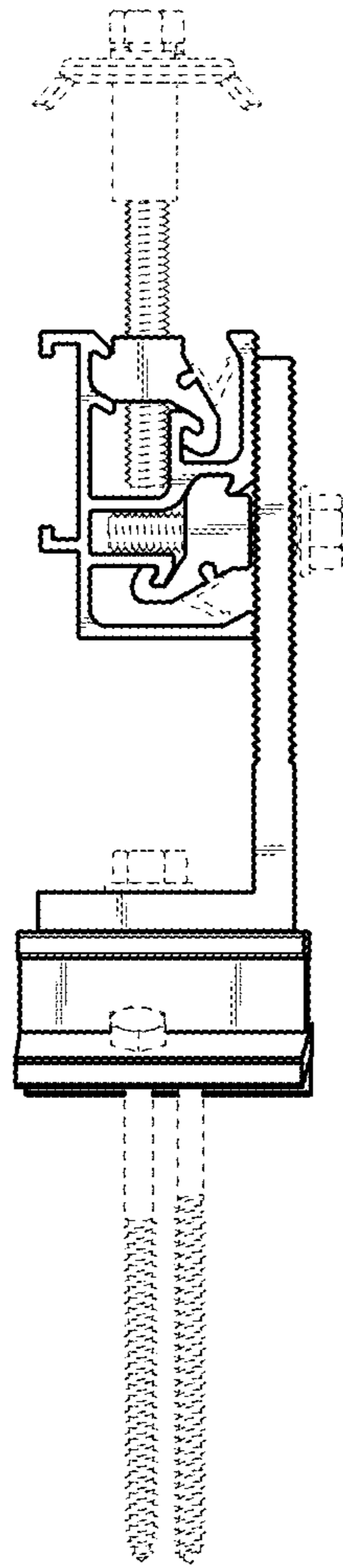


FIG. 5

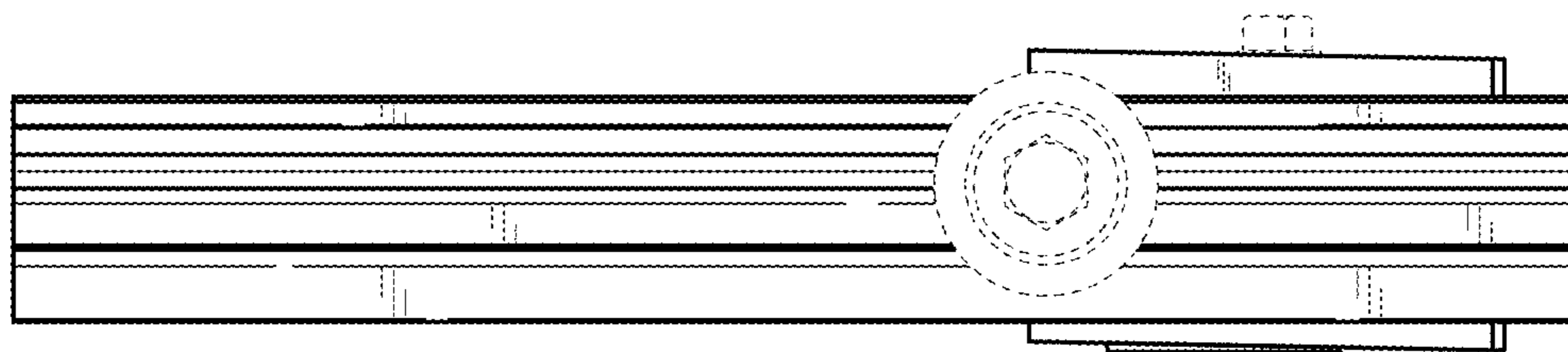


FIG. 6

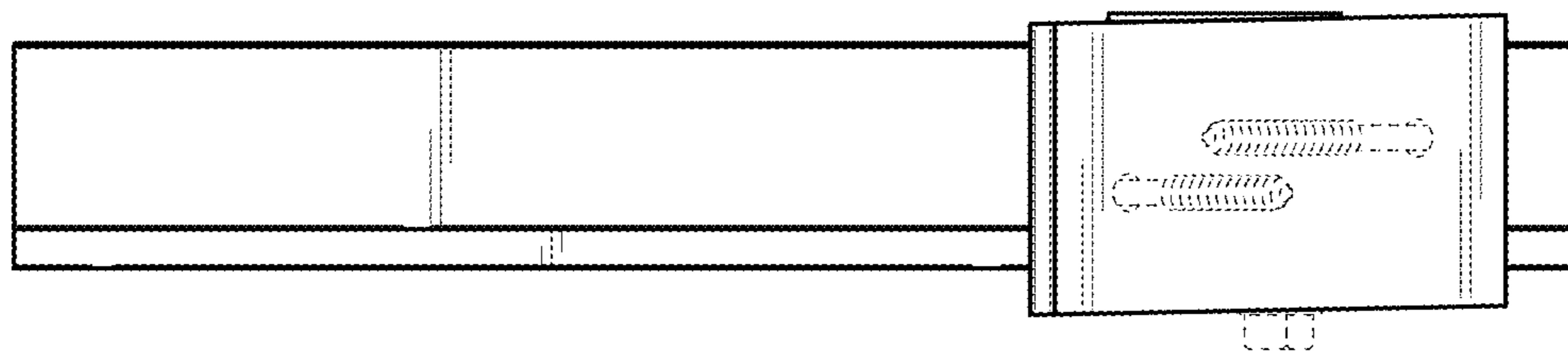


FIG. 7