



US00D909178S

(12) **United States Design Patent** (10) **Patent No.:** **US D909,178 S**
Hollingworth (45) **Date of Patent:** **** Feb. 2, 2021**

(54) **FASTENER KEY**
(71) Applicant: **Stuart Hollingworth**, Goolwa (AU)
(72) Inventor: **Stuart Hollingworth**, Goolwa (AU)
(**) Term: **15 Years**
(21) Appl. No.: **29/716,620**
(22) Filed: **Dec. 11, 2019**

D558,673 S * 1/2008 Easley D13/133
D577,681 S * 9/2008 Amidon D13/133
D603,251 S * 11/2009 King D8/387
D803,908 S * 11/2017 Yamaguchi D15/130
D814,280 S * 4/2018 Tarbell D8/387
D829,088 S * 9/2018 Campbell, II D8/387
D840,797 S * 2/2019 Bentley D8/397
D842,682 S * 3/2019 Lee D8/354
D866,482 S * 11/2019 DeCosta D13/155
D867,106 S * 11/2019 Blattel D8/349
D878,585 S * 3/2020 Garcia D24/145
D889,934 S * 7/2020 Hines, III D8/349
D898,878 S * 10/2020 Sprenger D23/260

(30) **Foreign Application Priority Data**

Jun. 13, 2019 (AU) 201913293
(51) **LOC (13) Cl.** **08-08**
(52) **U.S. Cl.**
USPC **D8/349**
(58) **Field of Classification Search**
USPC D8/349, 354, 355, 363, 373-377;
D13/154, 133, 129, 199; D12/317, 400,
D12/415, 416
CPC .. F16C 2314/72; F16C 29/0623; F16C 29/06;
F16C 29/0609; F16C 29/005; F16C
29/008; F16C 29/04; F16C 29/0657;
F16C 29/004; F16C 29/12; A47B 1/10;
A47B 88/493; A47B 88/423; A47B
2088/4235
See application file for complete search history.

(56) **References Cited**

U.S. PATENT DOCUMENTS
D293,883 S * 1/1988 Hirohata D8/382
D300,129 S * 3/1989 Whitley, II D12/197
D421,710 S * 3/2000 Hajek D8/1

* cited by examiner

Primary Examiner — Mark A Goodwin
Assistant Examiner — Benjamin M Weeks
(74) *Attorney, Agent, or Firm* — Sand, Sebolt & Wernow
Co., LPA

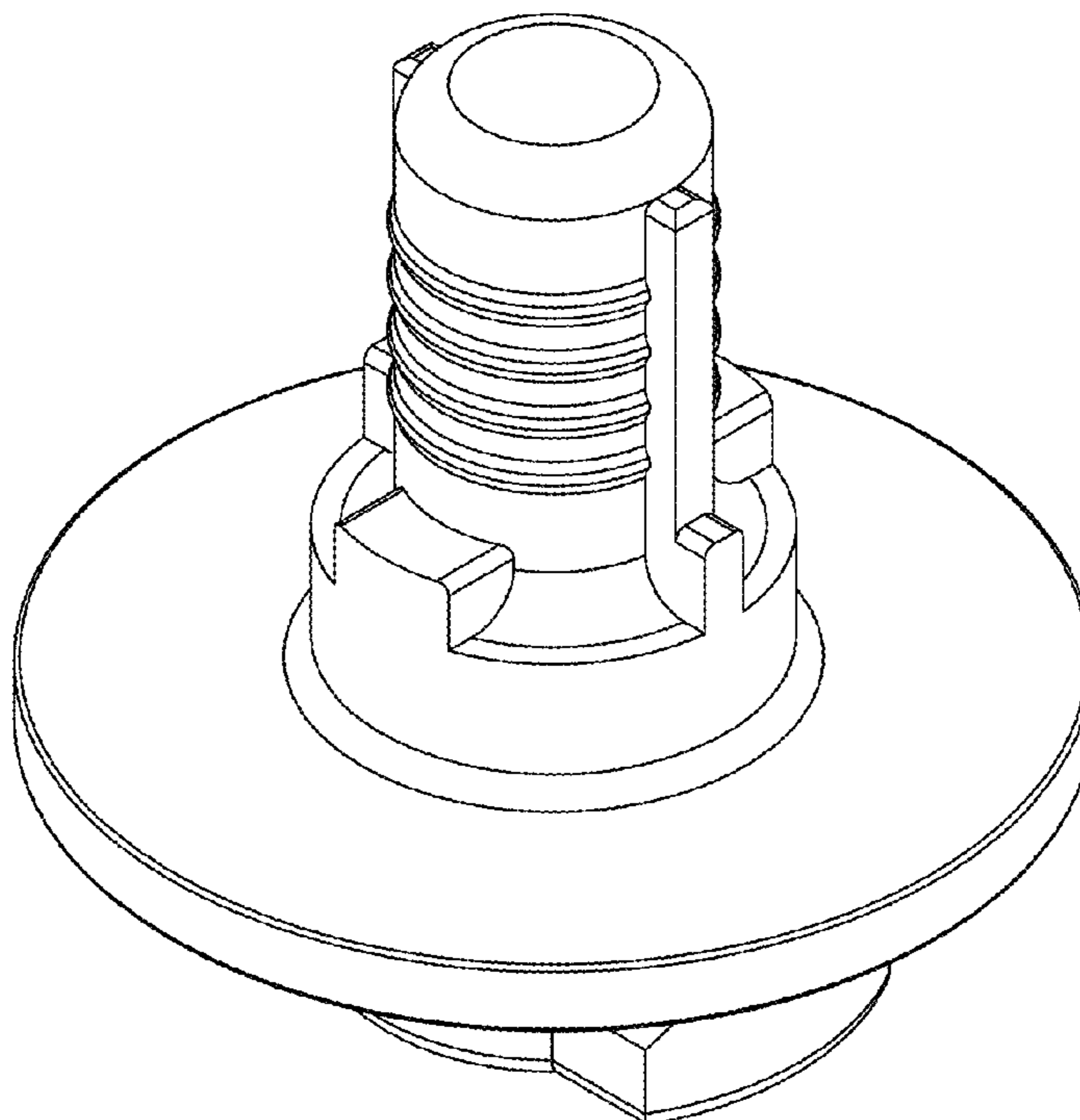
(57) **CLAIM**

The ornamental design for a fastener key, as shown and described.

DESCRIPTION

FIG. 1 is a top, perspective view of a fastener key in accordance with my design;
FIG. 2 is a bottom, perspective view thereof;
FIG. 3 is a front elevation view thereof;
FIG. 4 is a rear elevation view thereof;
FIG. 5 is a top plan view thereof;
FIG. 6 is a bottom plan view thereof;
FIG. 7 is a left side elevation view thereof;
FIG. 8 is a right side elevation view thereof; and,
FIG. 9 is a cross-section taken along line 9-9 of FIG.8.

1 Claim, 9 Drawing Sheets



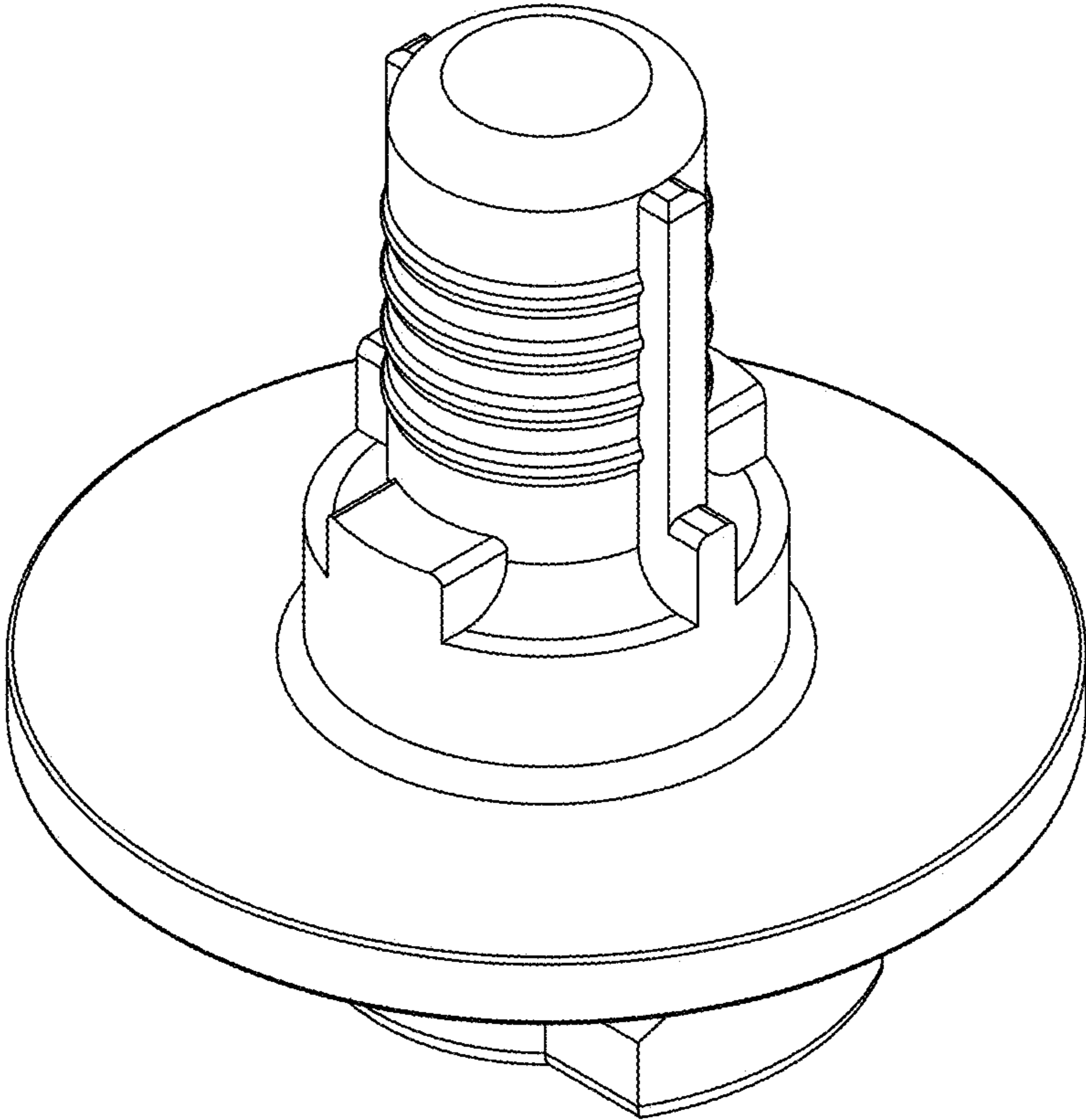


Figure 1

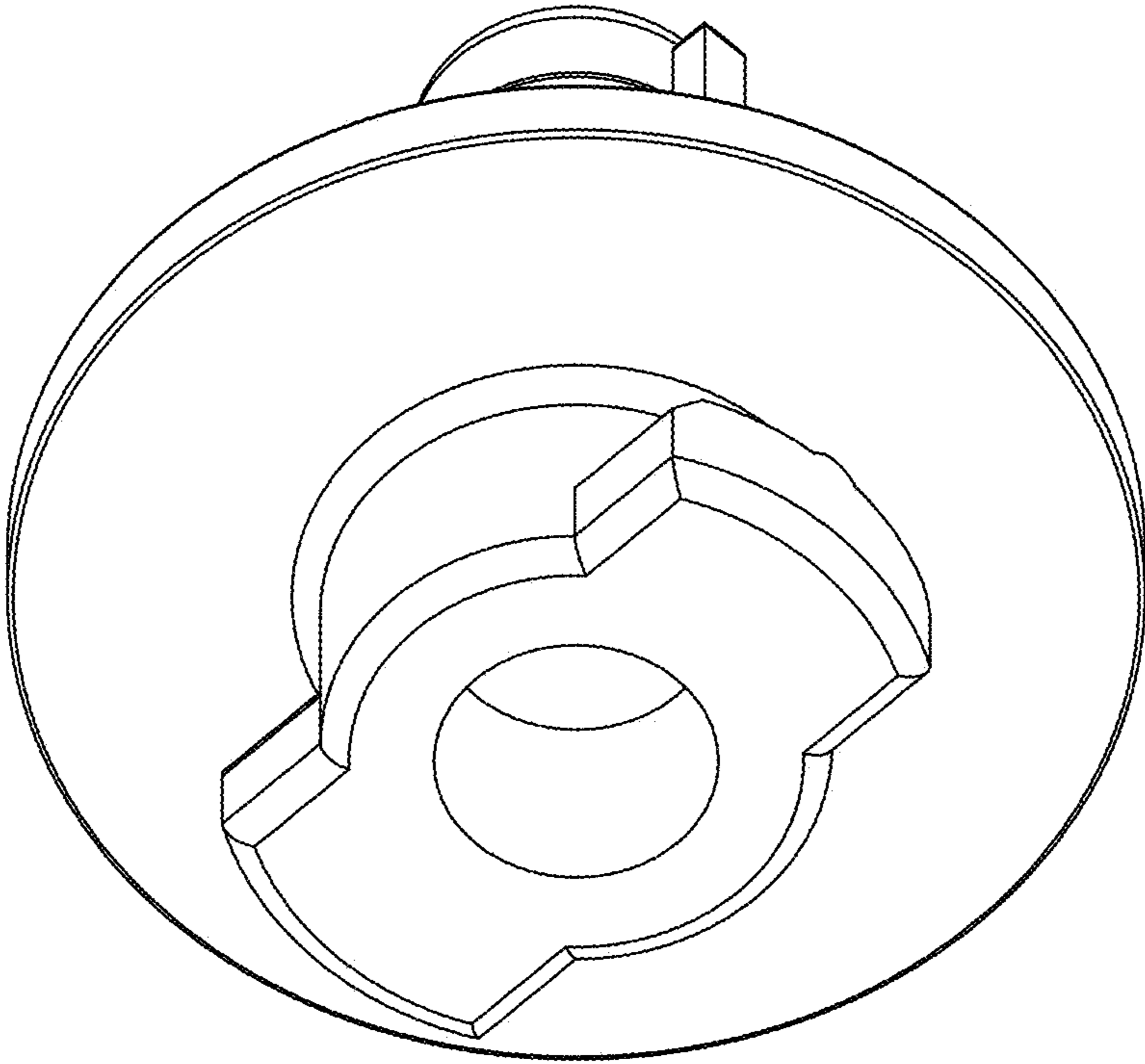


Figure 2

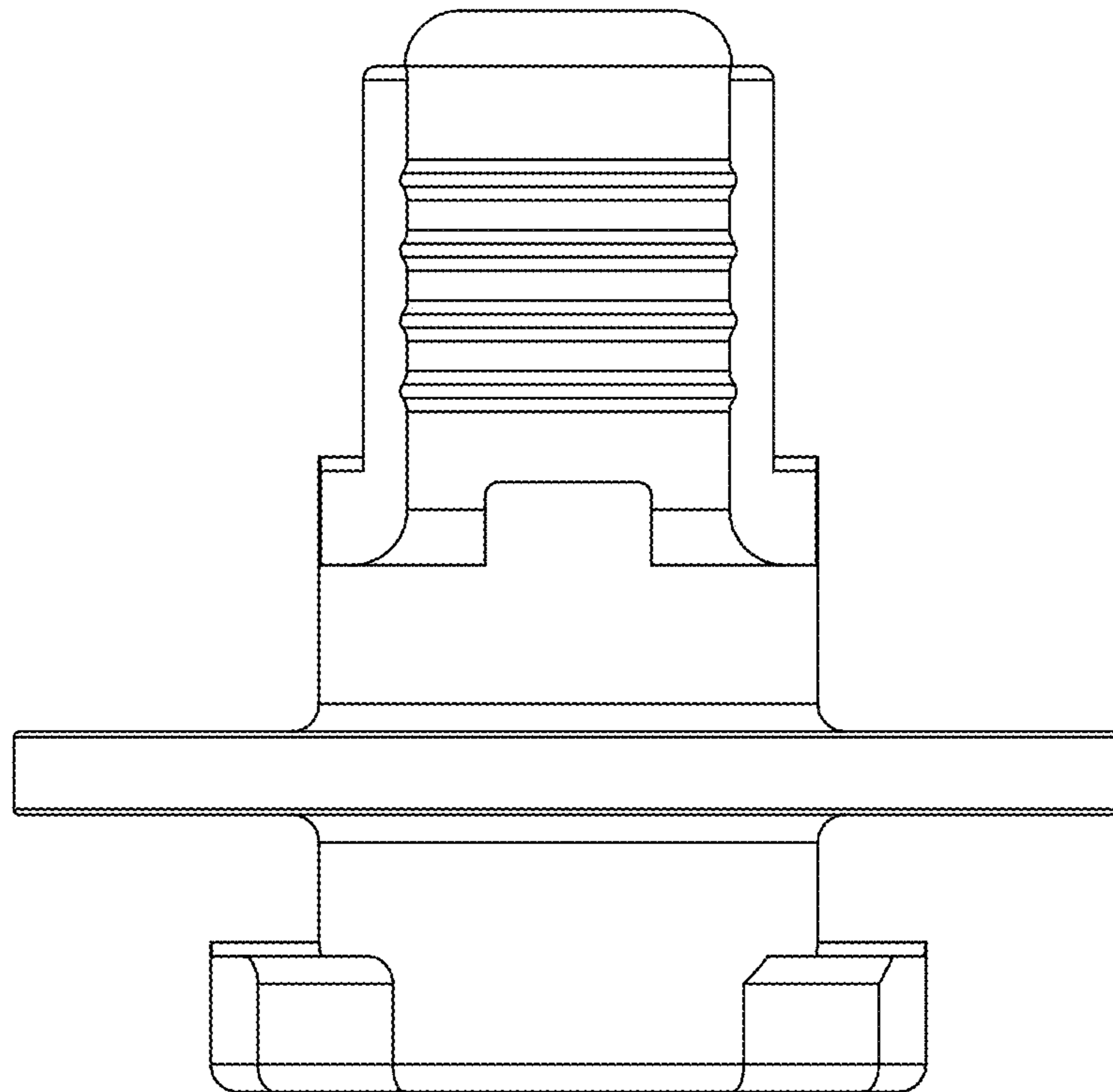


Figure 3

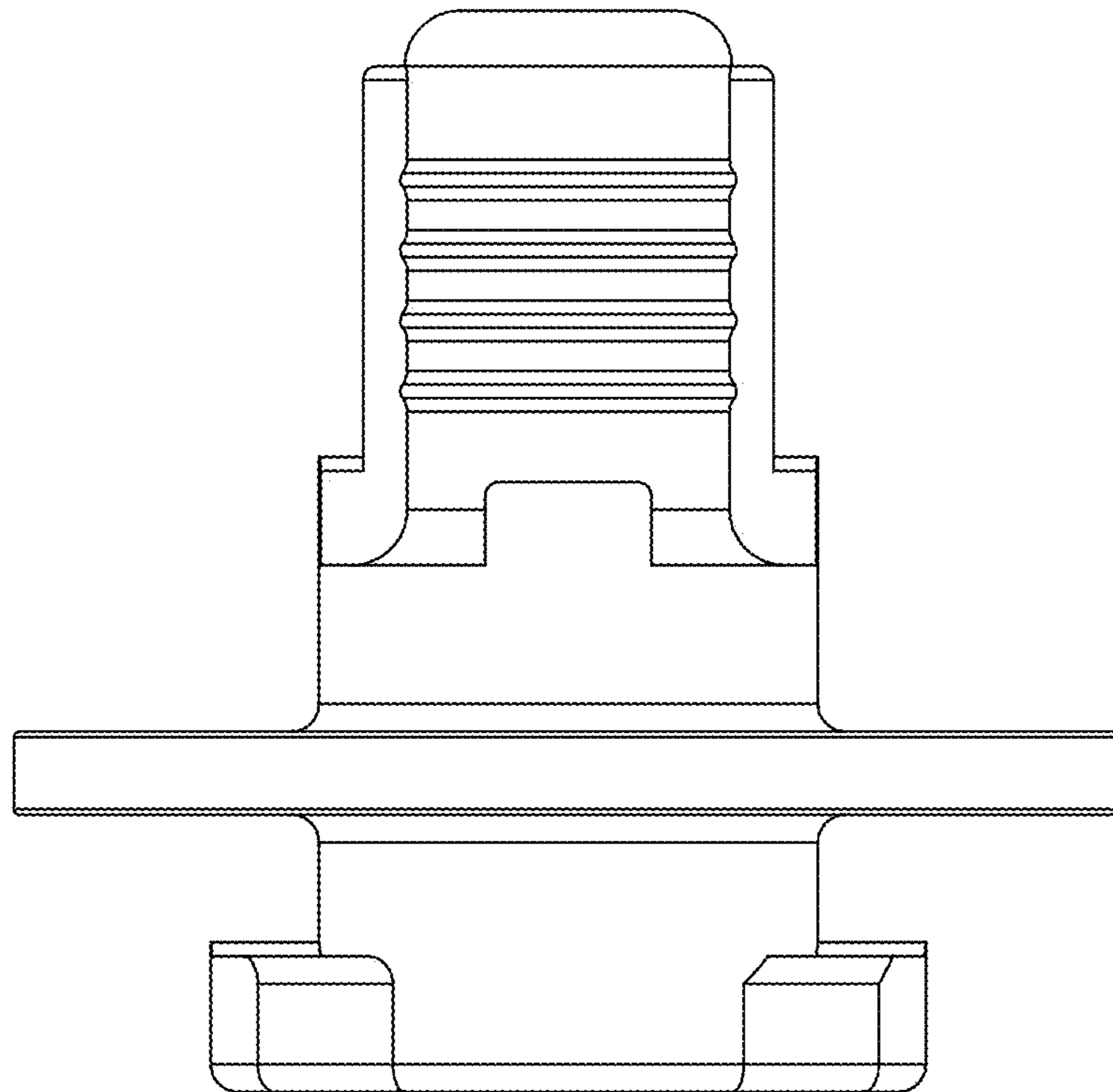


Figure 4

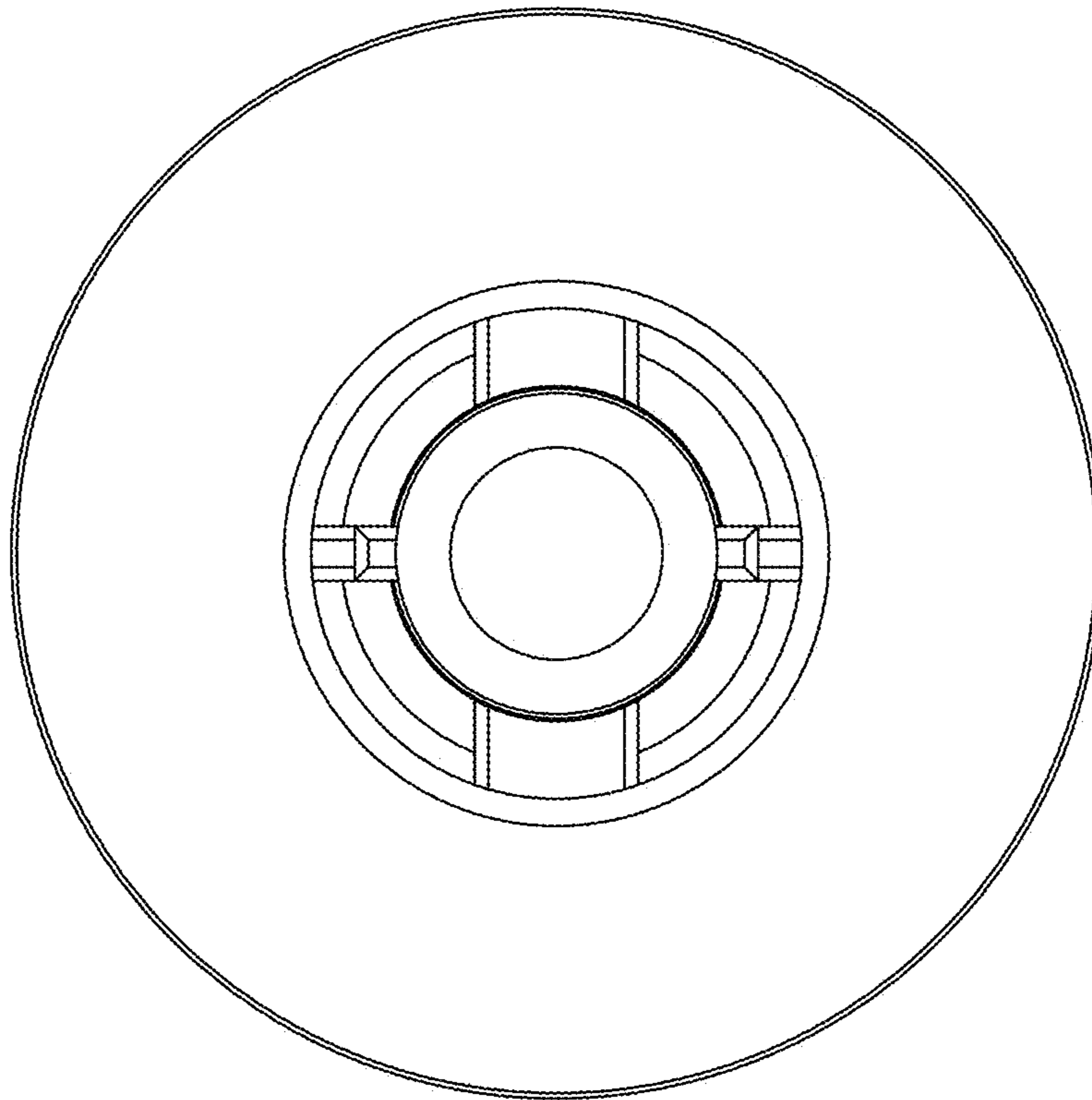


Figure 5

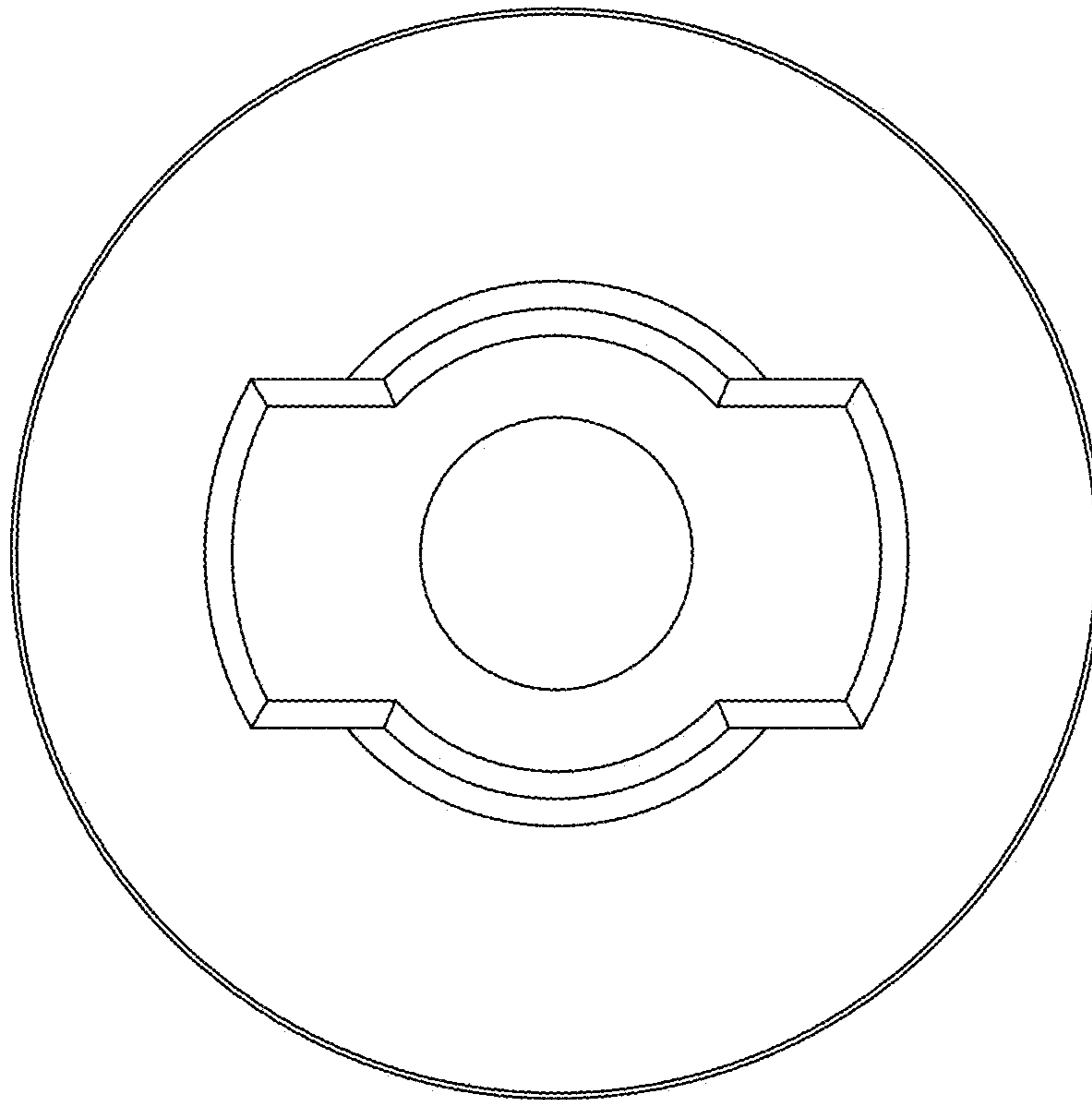


Figure 6

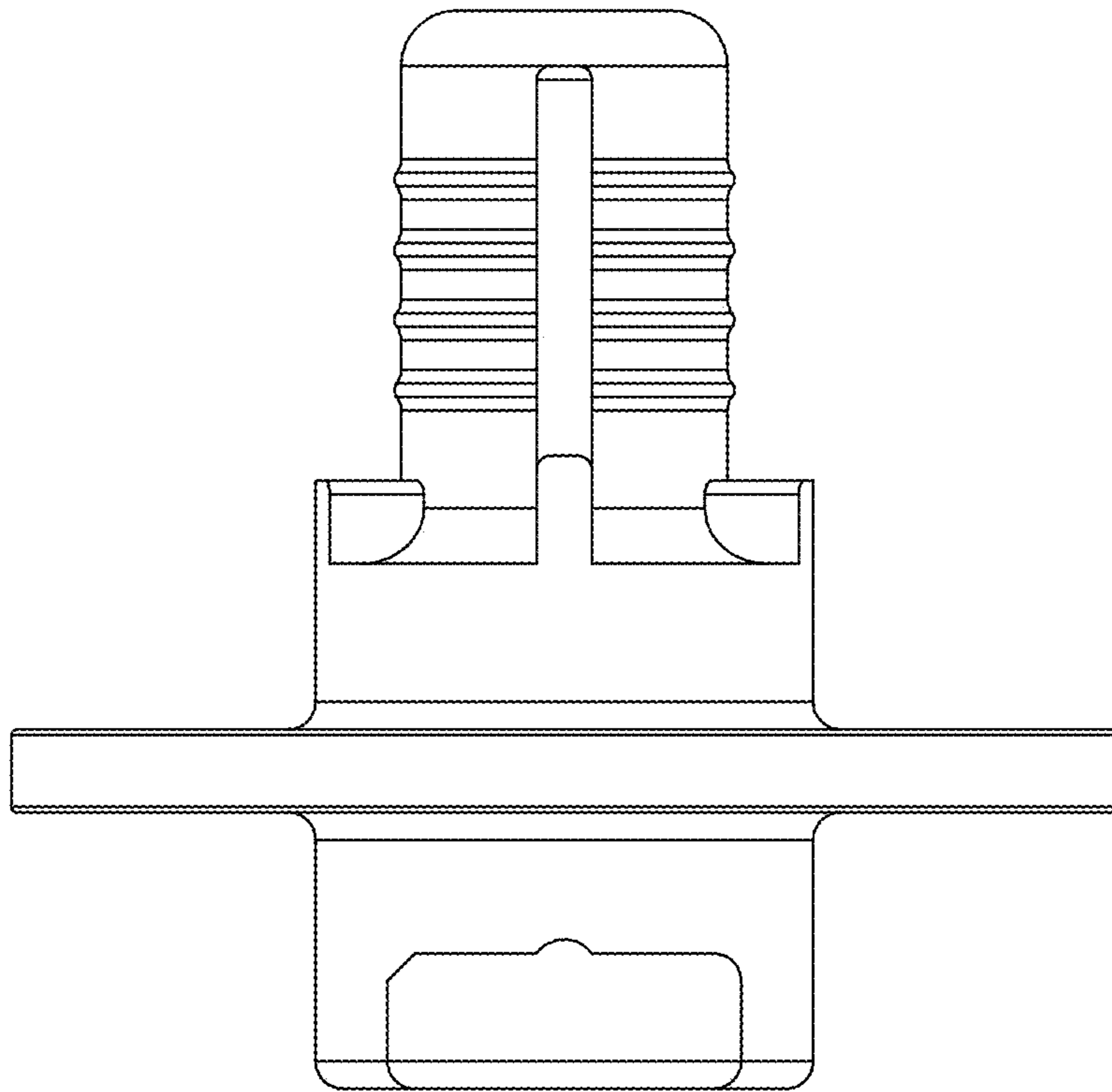


Figure 7

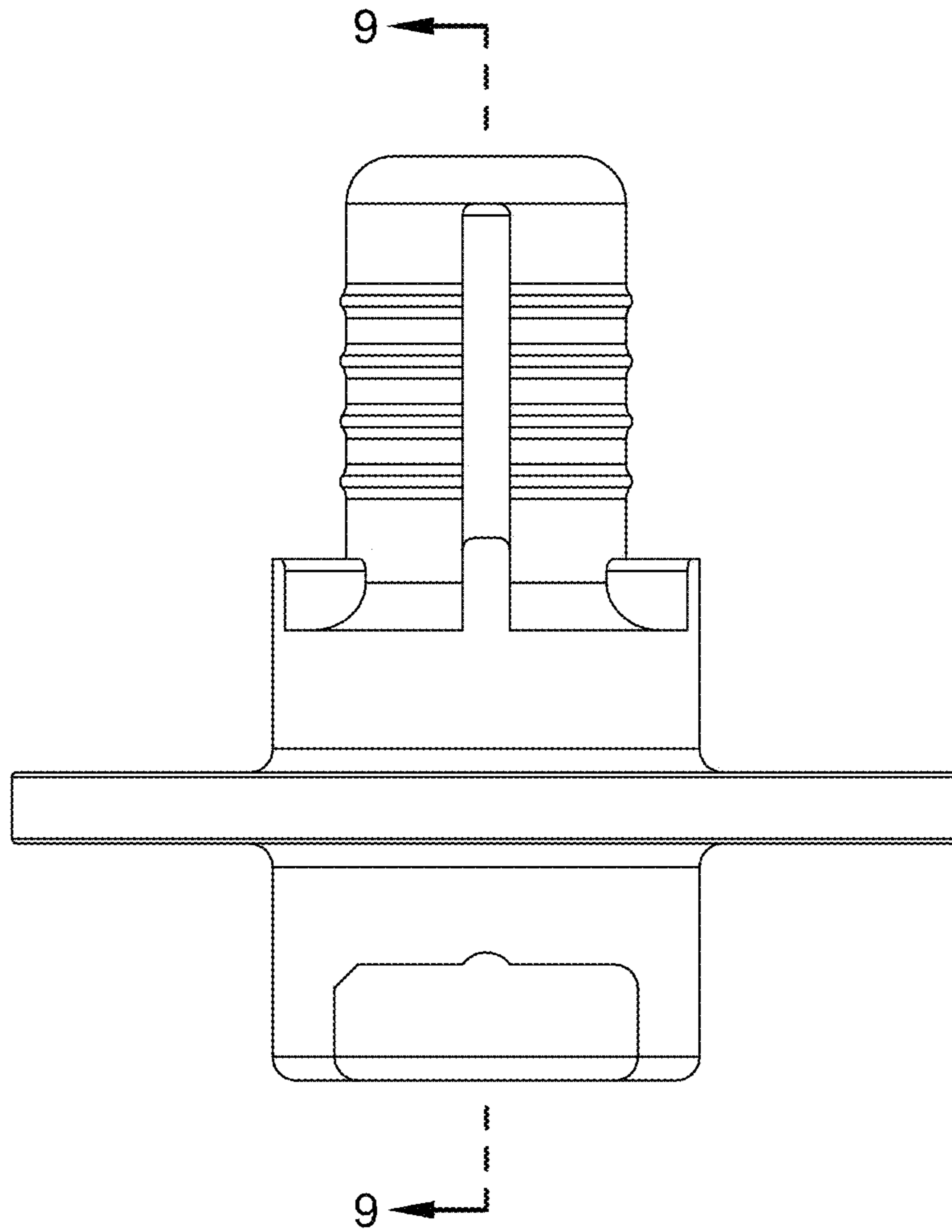


Figure 8

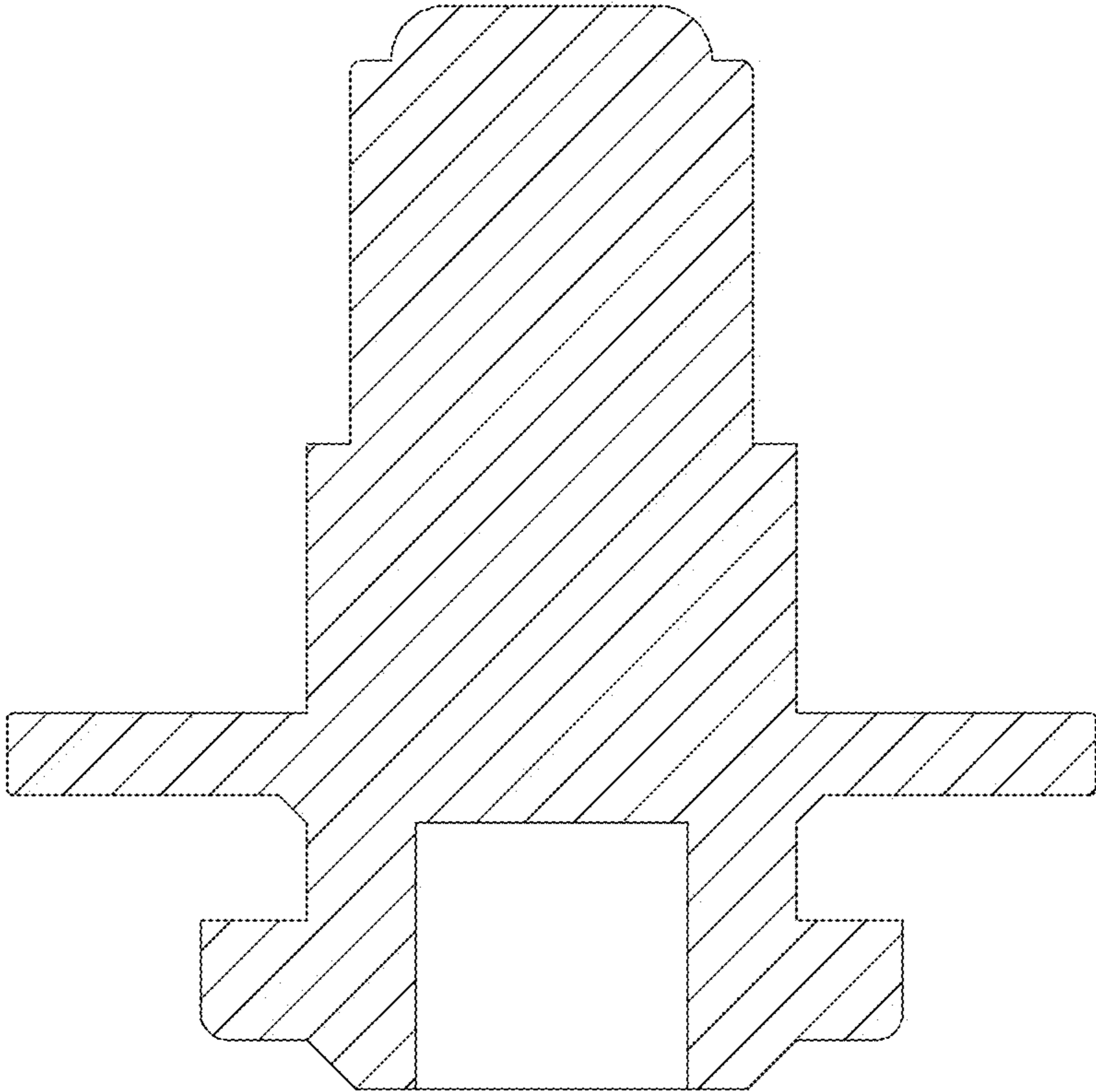


Figure 9