

US00D909177S

(12) **United States Design Patent** (10) **Patent No.:** **US D909,177 S**
Siminoff et al. (45) **Date of Patent:** **** Feb. 2, 2021**

(54) **DEVICE MOUNT**

(71) Applicant: **AMAZON TECHNOLOGIES, INC.**,
Seattle, WA (US)

(72) Inventors: **Mark Siminoff**, Mountain View, CA
(US); **Christopher Loew**, Palo Alto,
CA (US); **Matthew J. England**, Santa
Monica, CA (US)

(73) Assignee: **Amazon Technologies, Inc.**, Seattle,
WA (US)

(**) Term: **15 Years**

(21) Appl. No.: **29/706,741**

(22) Filed: **Sep. 23, 2019**

Related U.S. Application Data

(62) Division of application No. 29/632,749, filed on Jan.
9, 2018, now Pat. No. Des. 870,534.

(51) **LOC (13) Cl.** **08-08**

(52) **U.S. Cl.**
USPC **D8/349**

(58) **Field of Classification Search**
USPC D6/672, 684, 680, 683.1, 703.5; D8/349,
D8/354, 355, 330, 331, 333, 380, 382;
(Continued)

(56) **References Cited**

U.S. PATENT DOCUMENTS

D373,720 S * 9/1996 Hirano D8/382
D761,084 S * 7/2016 Cox D8/354
(Continued)

Primary Examiner — Mark A Goodwin
Assistant Examiner — Benjamin M Weeks

(74) *Attorney, Agent, or Firm* — Lathrop GPM LLP

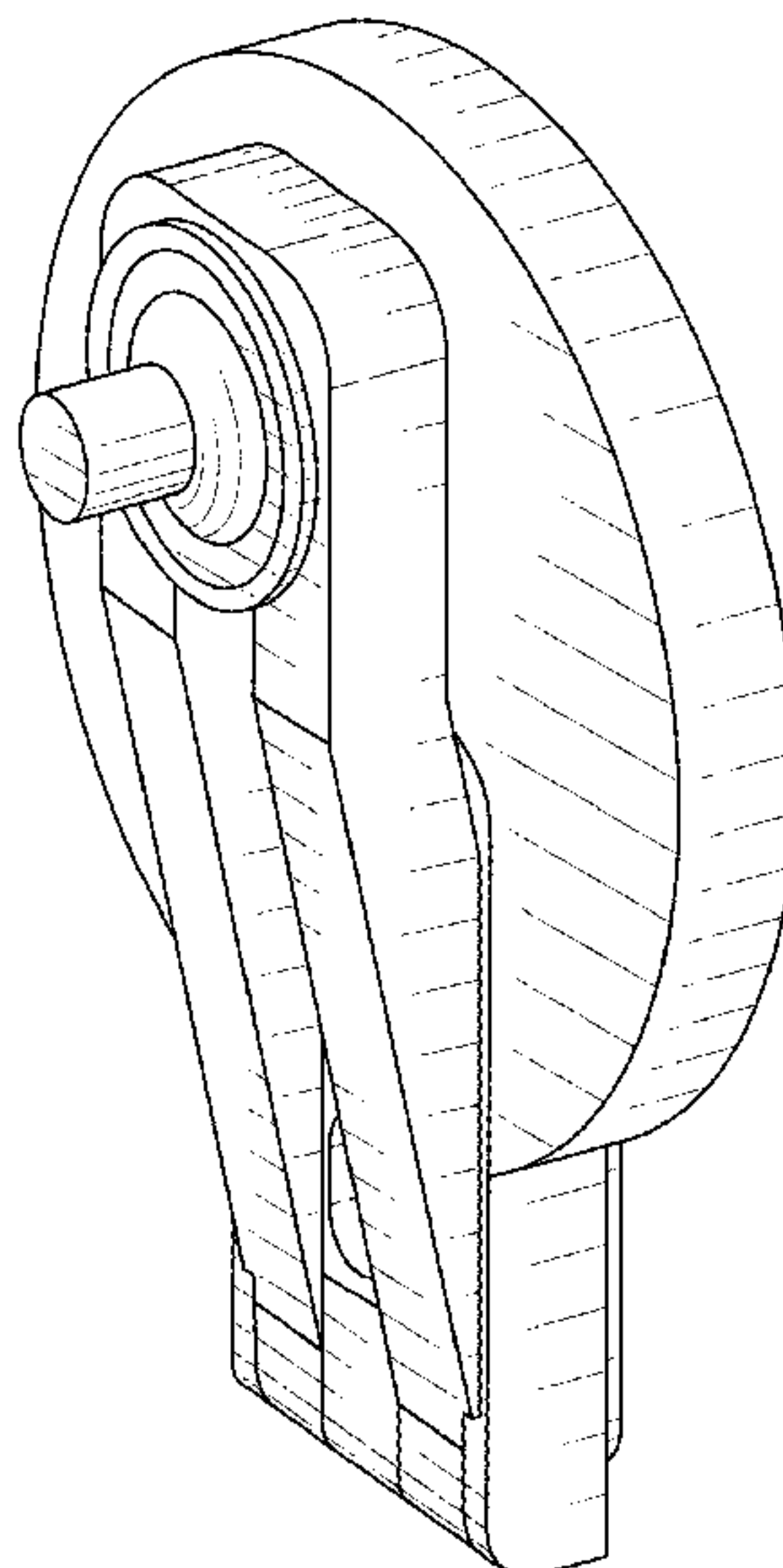
(57) **CLAIM**

The ornamental design for a device mount, as shown and
described.

DESCRIPTION

FIG. 1 is a front perspective view of the device mount in a
first configuration according to the present design;
FIG. 2 is a rear perspective view of the device mount in the
first configuration of FIG. 1;
FIG. 3 is a top plan view of the device mount in the first
configuration of FIG. 1;
FIG. 4 is a bottom plan view of the device mount in the first
configuration of FIG. 1;
FIG. 5 is a left-side elevational view of the device mount in
the first configuration of FIG. 1;
FIG. 6 is a right-side elevational view of the device mount
in the first configuration of FIG. 1;
FIG. 7 is a front elevation view of the device mount in the
first configuration of FIG. 1;
FIG. 8 is a rear elevation view of the device mount in the first
configuration of FIG. 1;
FIG. 9 is a front perspective view of the device mount in a
second configuration according to the present design;
FIG. 10 is a rear perspective view of the device mount in the
second configuration of FIG. 9;
FIG. 11 is a top plan view of the device mount in the second
configuration of FIG. 9;
FIG. 12 is a bottom plan view of the device mount in the
second configuration of FIG. 9;
FIG. 13 is a left-side elevational view of the device mount
in the second configuration of FIG. 9;
FIG. 14 is a right-side elevational view of the device mount
in the second configuration of FIG. 9;
FIG. 15 is a front elevational view of the device mount in the
second configuration of FIG. 9; and,
FIG. 16 is a rear elevational view of the device mount in the
second configuration of FIG. 9.
The broken lines showing in the figures illustrate portions of
the device mount that form no part of the claimed design.

1 Claim, 14 Drawing Sheets



(58) **Field of Classification Search**

USPC D13/154, 133, 129, 199; D22/125;
D25/119, 164, 199, 139, 141; D26/138,
D26/76, 78, 79, 80

CPC .. F16C 2314/72; F16C 29/0623; F16C 29/06;
F16C 29/0609; F16C 29/005; F16C
29/008; F16C 29/04; F16C 29/0657;
F16C 29/004; F16C 29/12; A47B 1/10;
A47B 88/493; A47B 88/423; A47B
2088/4235; A47B 5/02

See application file for complete search history.

(56) **References Cited**

U.S. PATENT DOCUMENTS

D800,175 S * 10/2017 Gillespie B60K 5/1283
D15/5
D815,516 S 4/2018 Karmarkar
D821,850 S 7/2018 Tyrer
D822,452 S 7/2018 Fan
D842,085 S 3/2019 Emanuel
D842,685 S 3/2019 Ito
D845,110 S 4/2019 Cox
D847,606 S 5/2019 Heinemann
D869,919 S * 12/2019 Tipton D8/8
D870,534 S * 12/2019 Siminoff D8/349
2010/0180707 A1 7/2010 Wu
2017/0067580 A1* 3/2017 Cox F16L 3/12

* cited by examiner

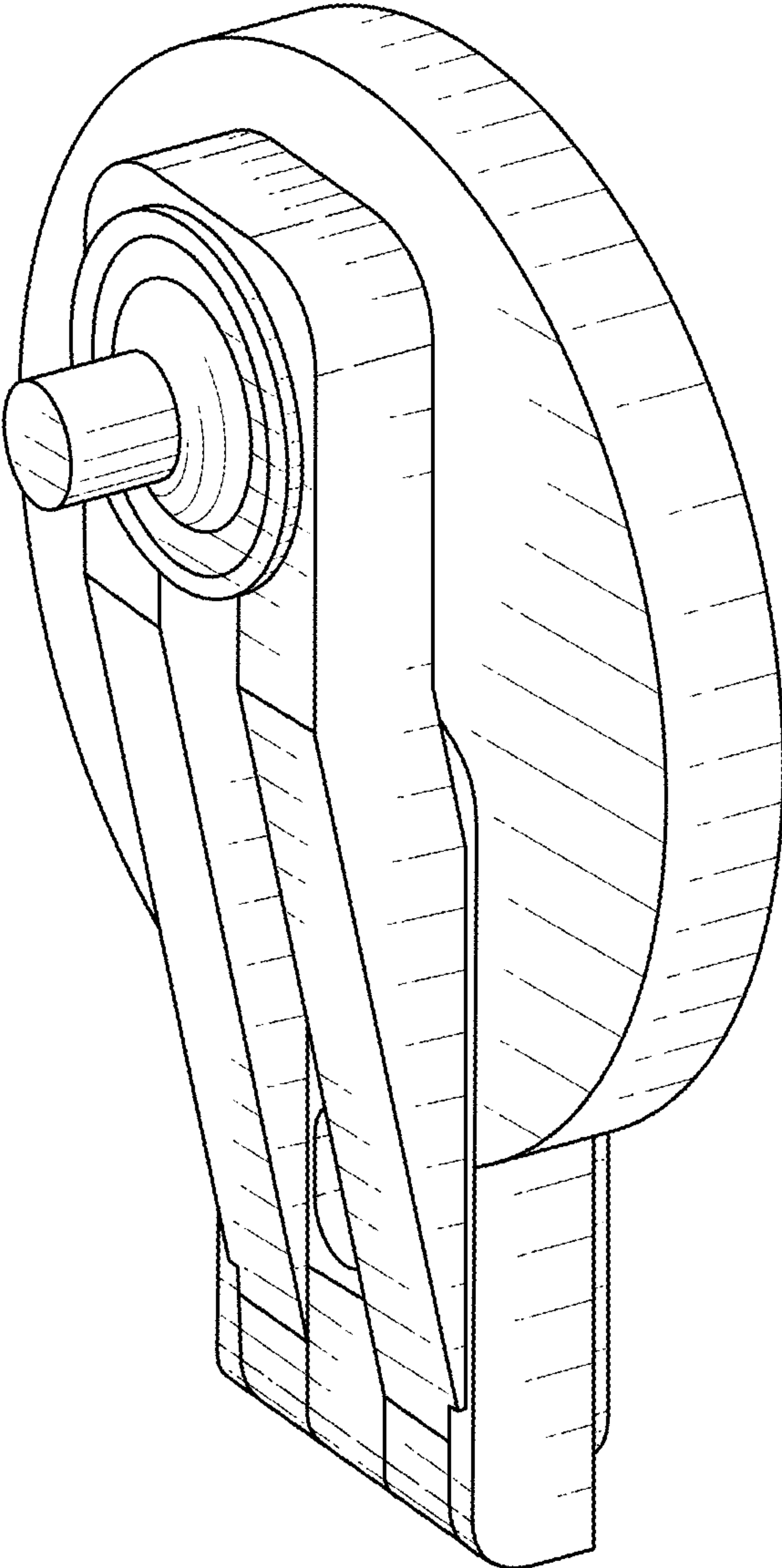


FIG. 1

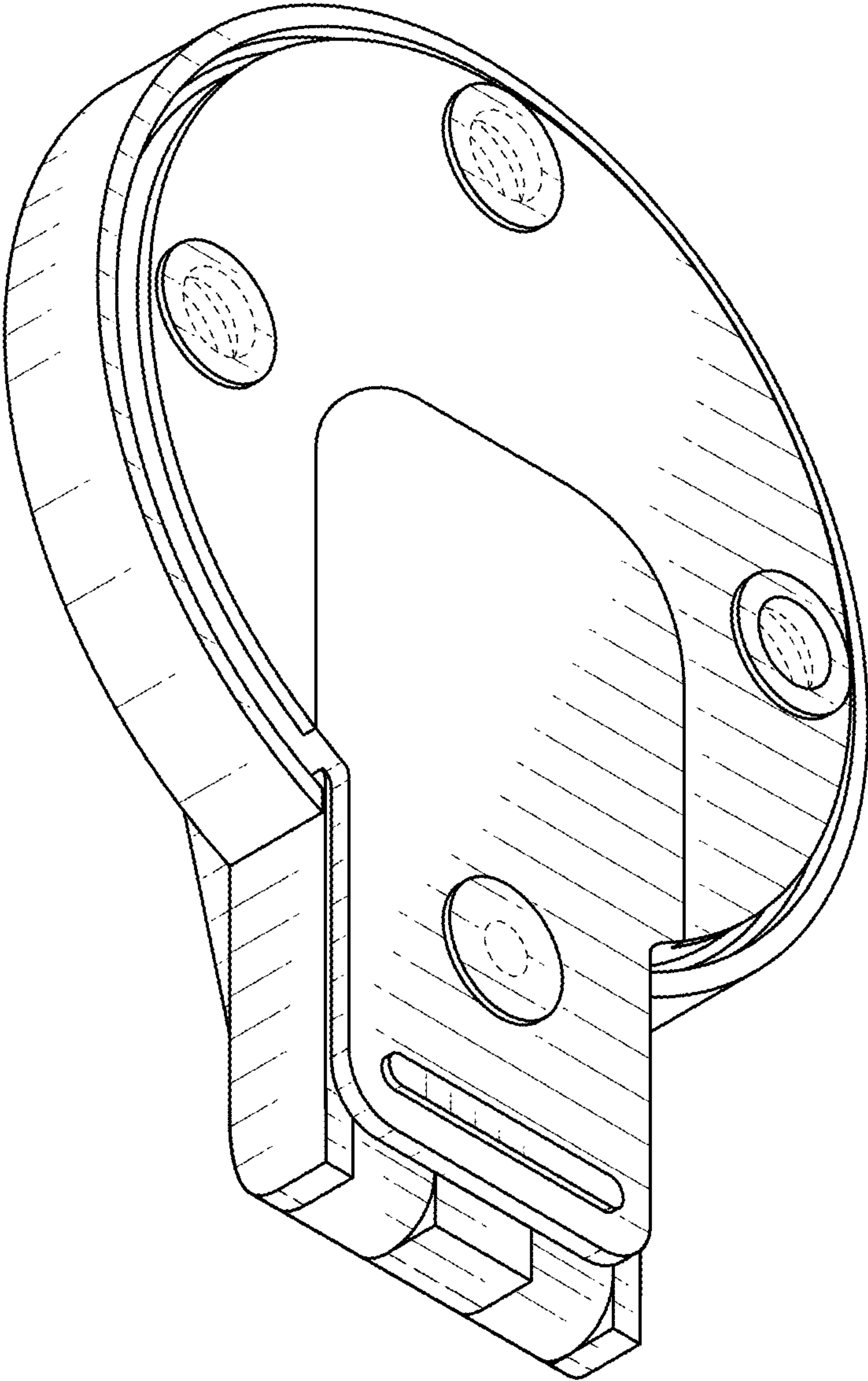


FIG. 2

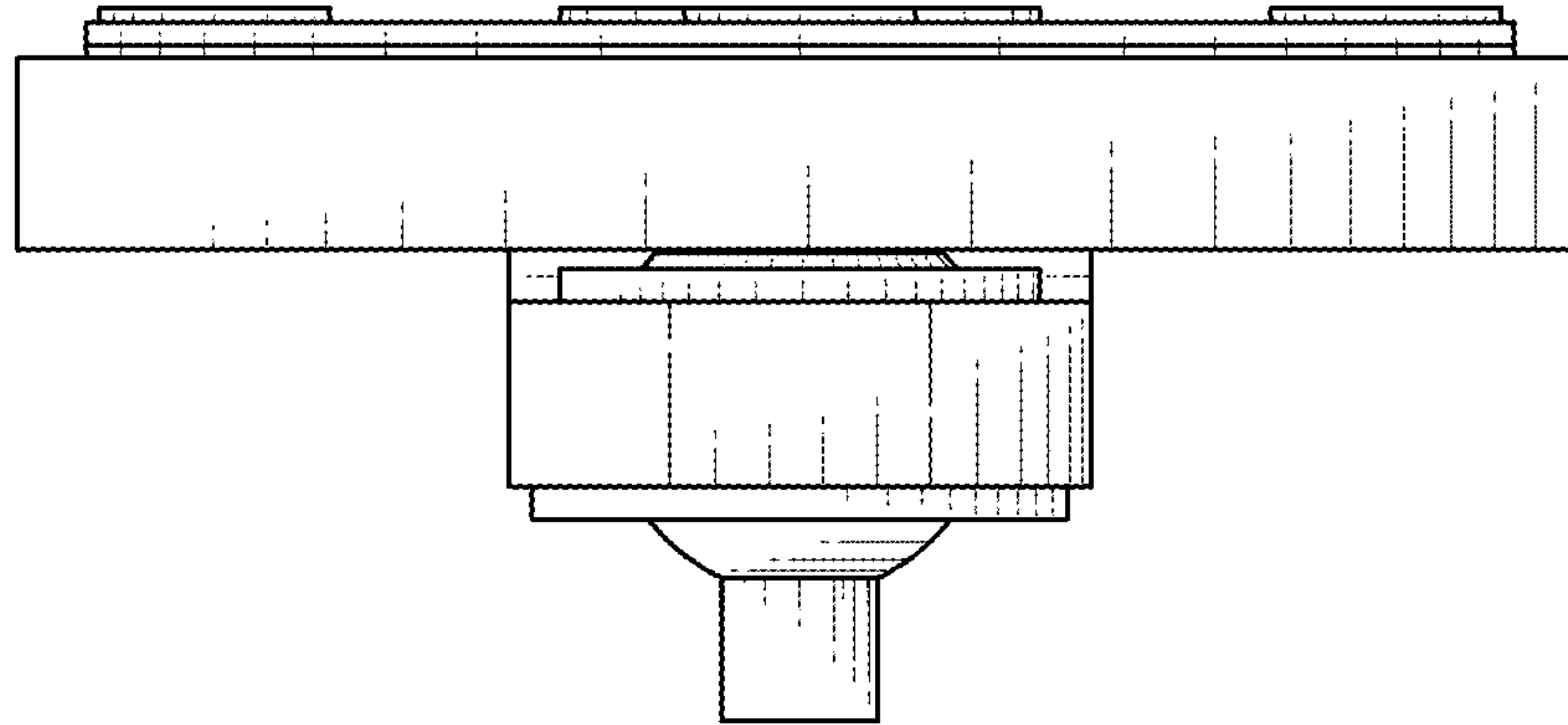


FIG. 3

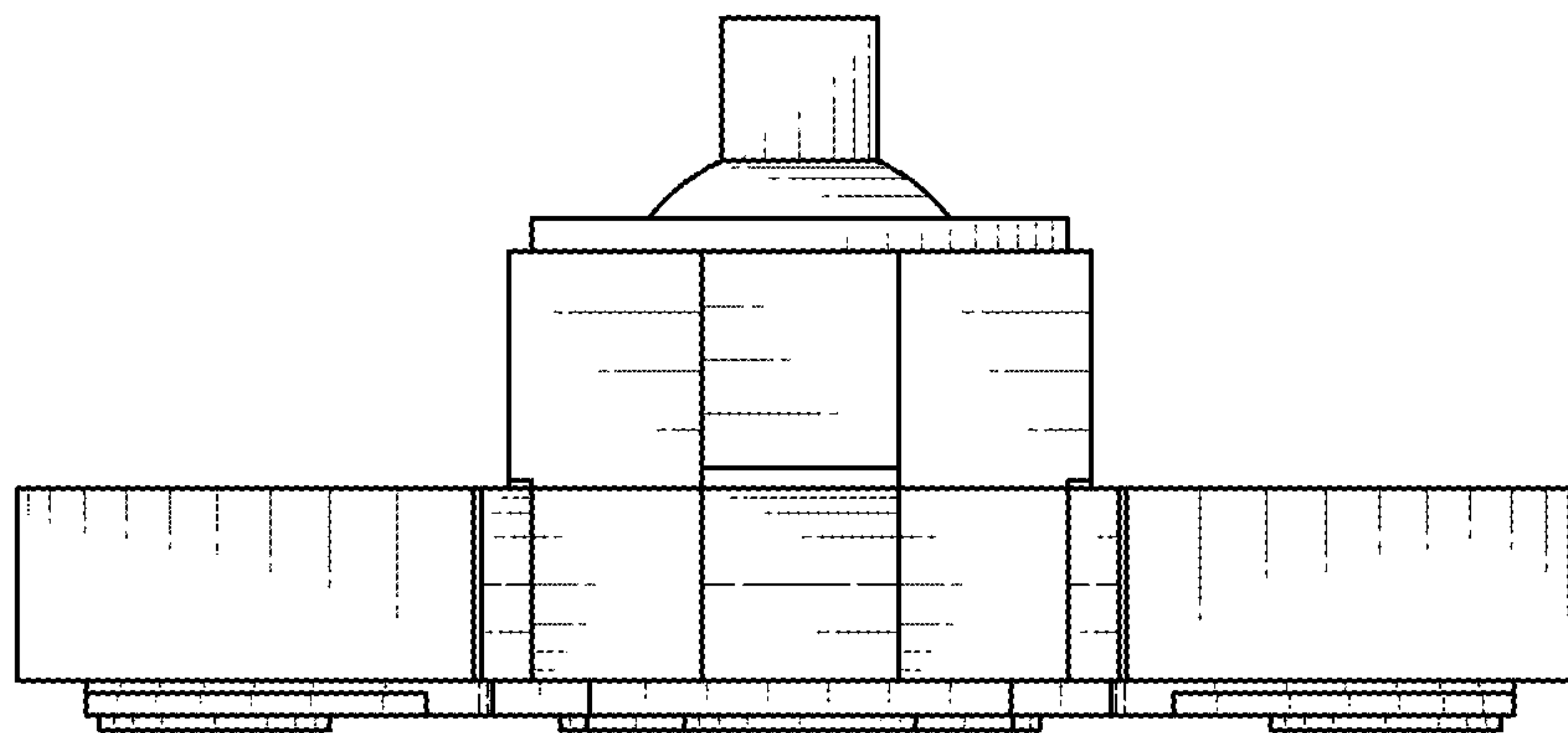


FIG. 4

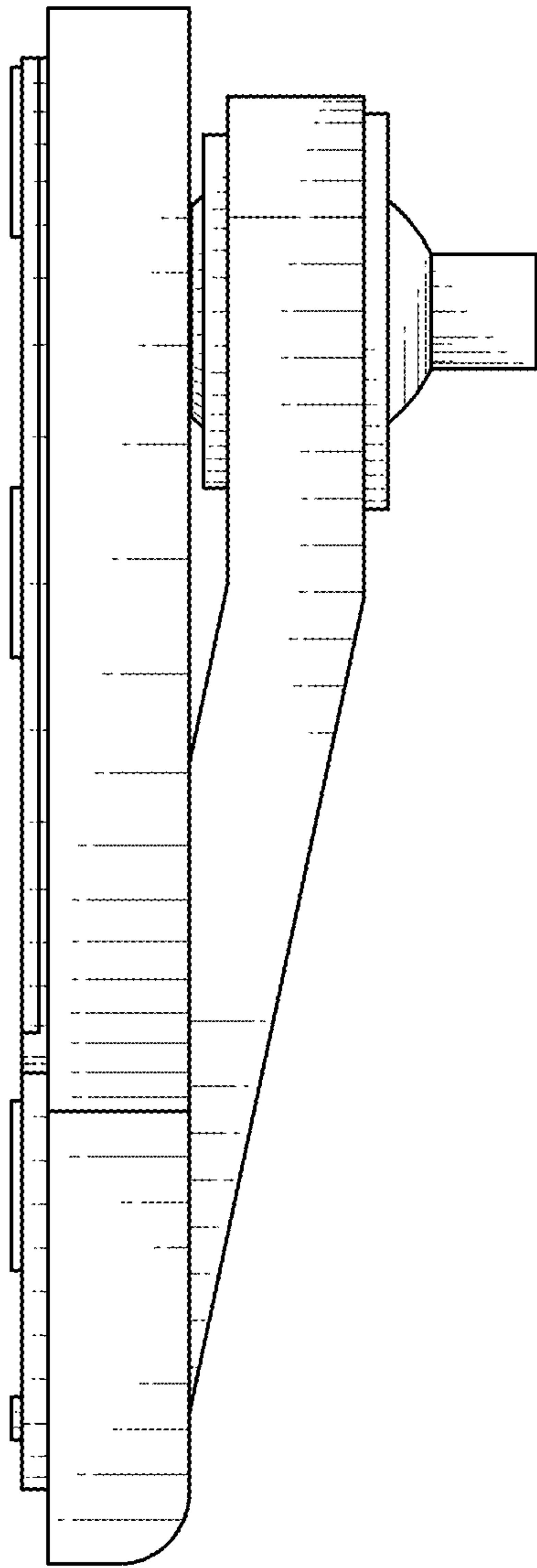


FIG. 5

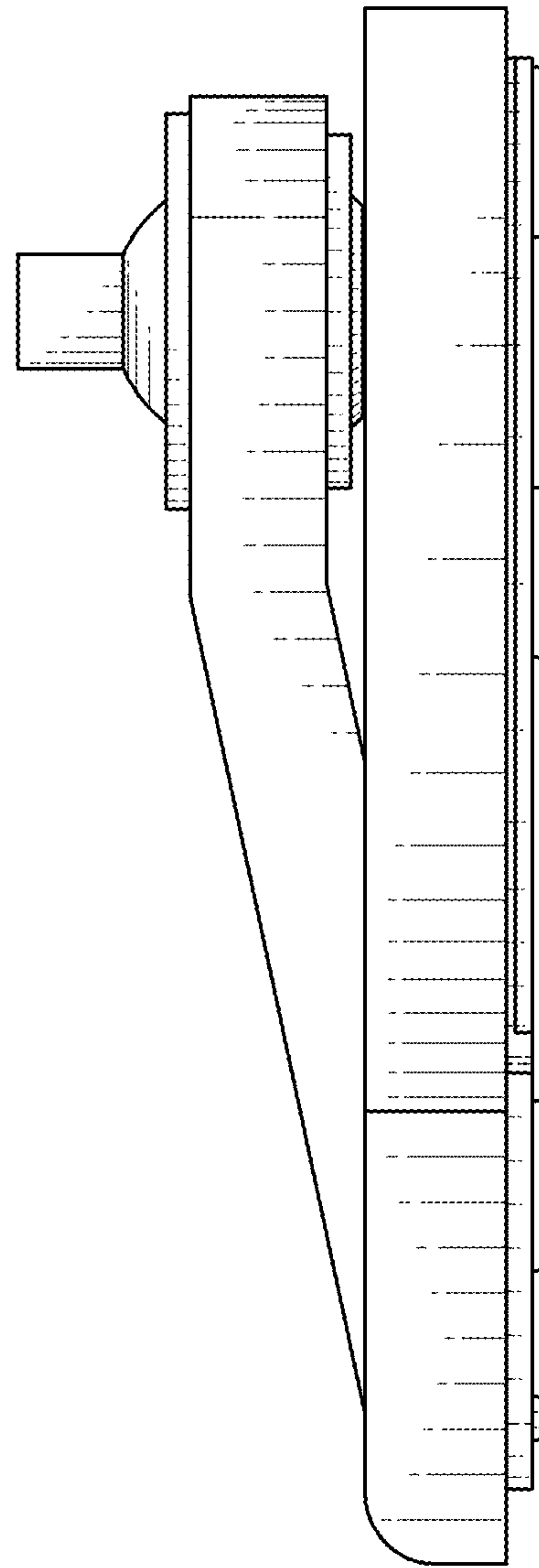


FIG. 6

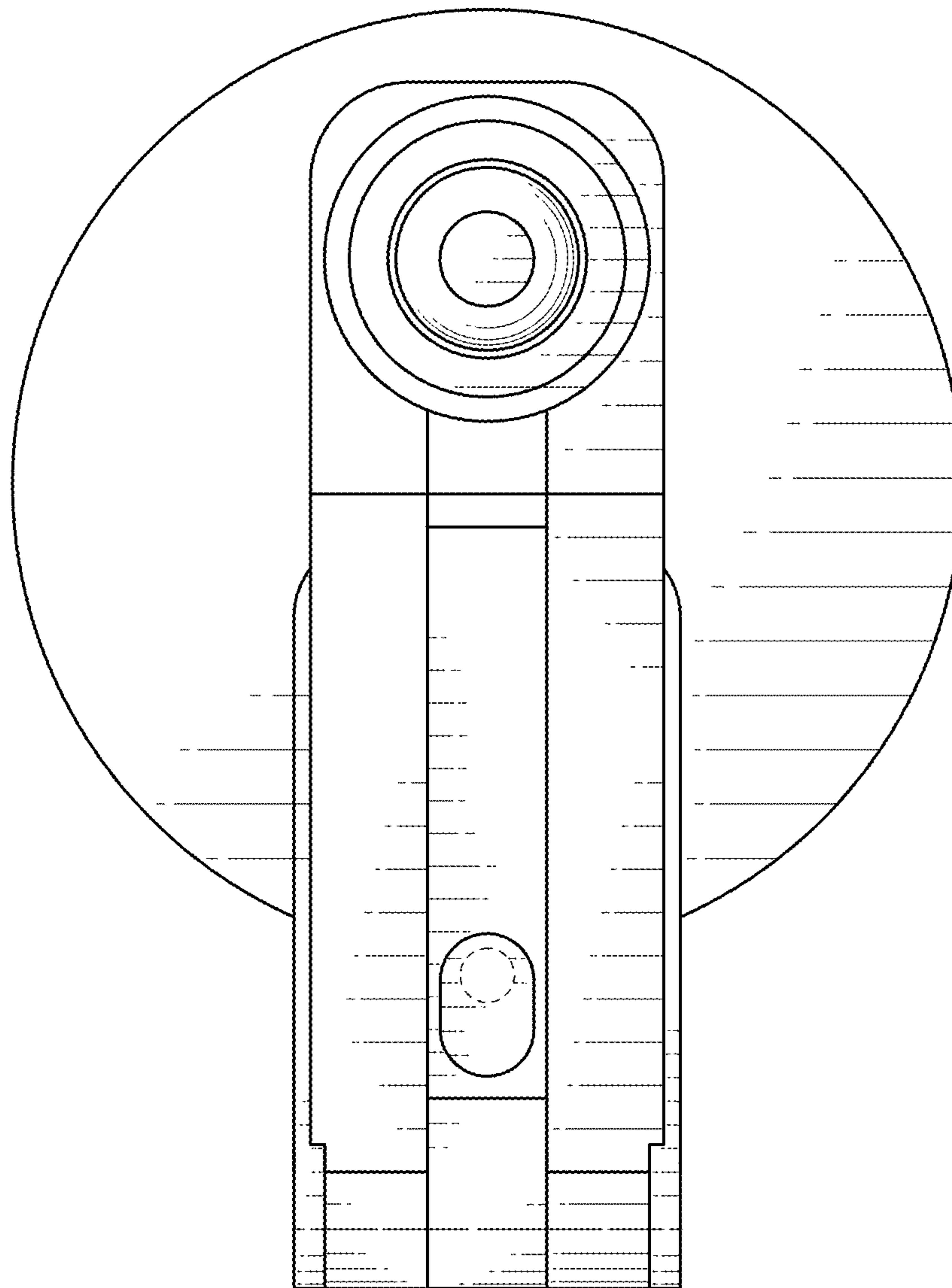


FIG. 7

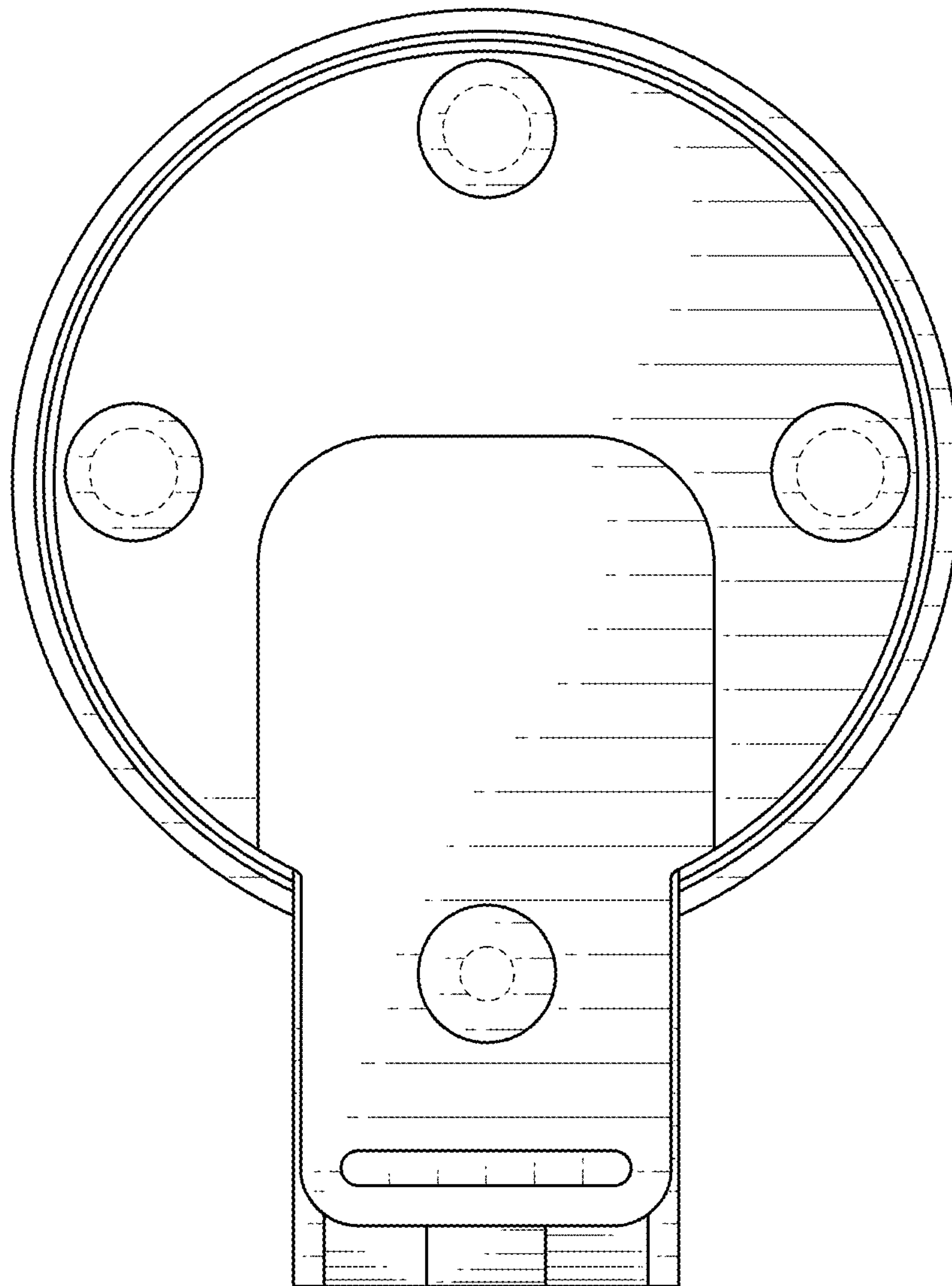


FIG. 8

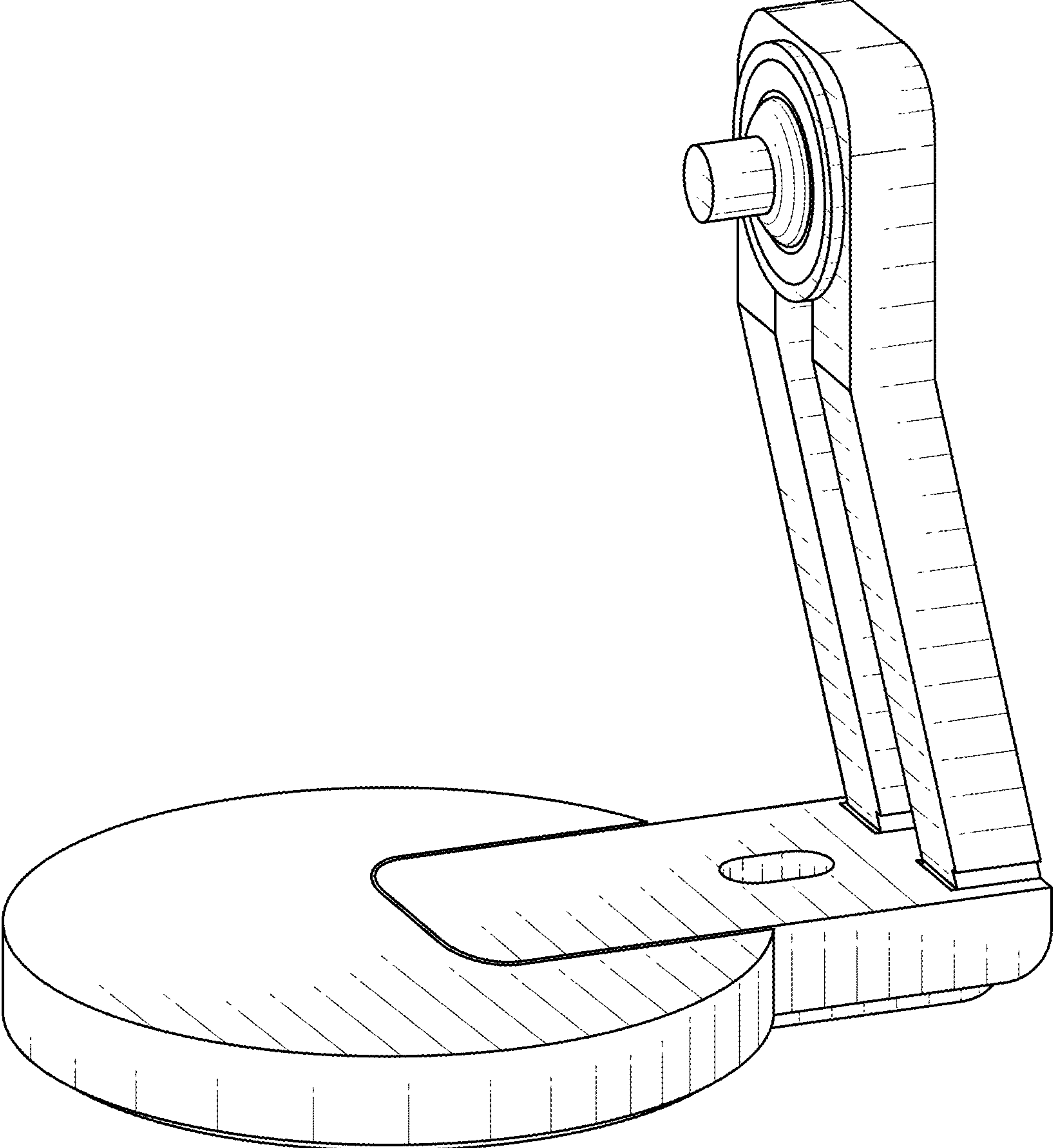


FIG. 9

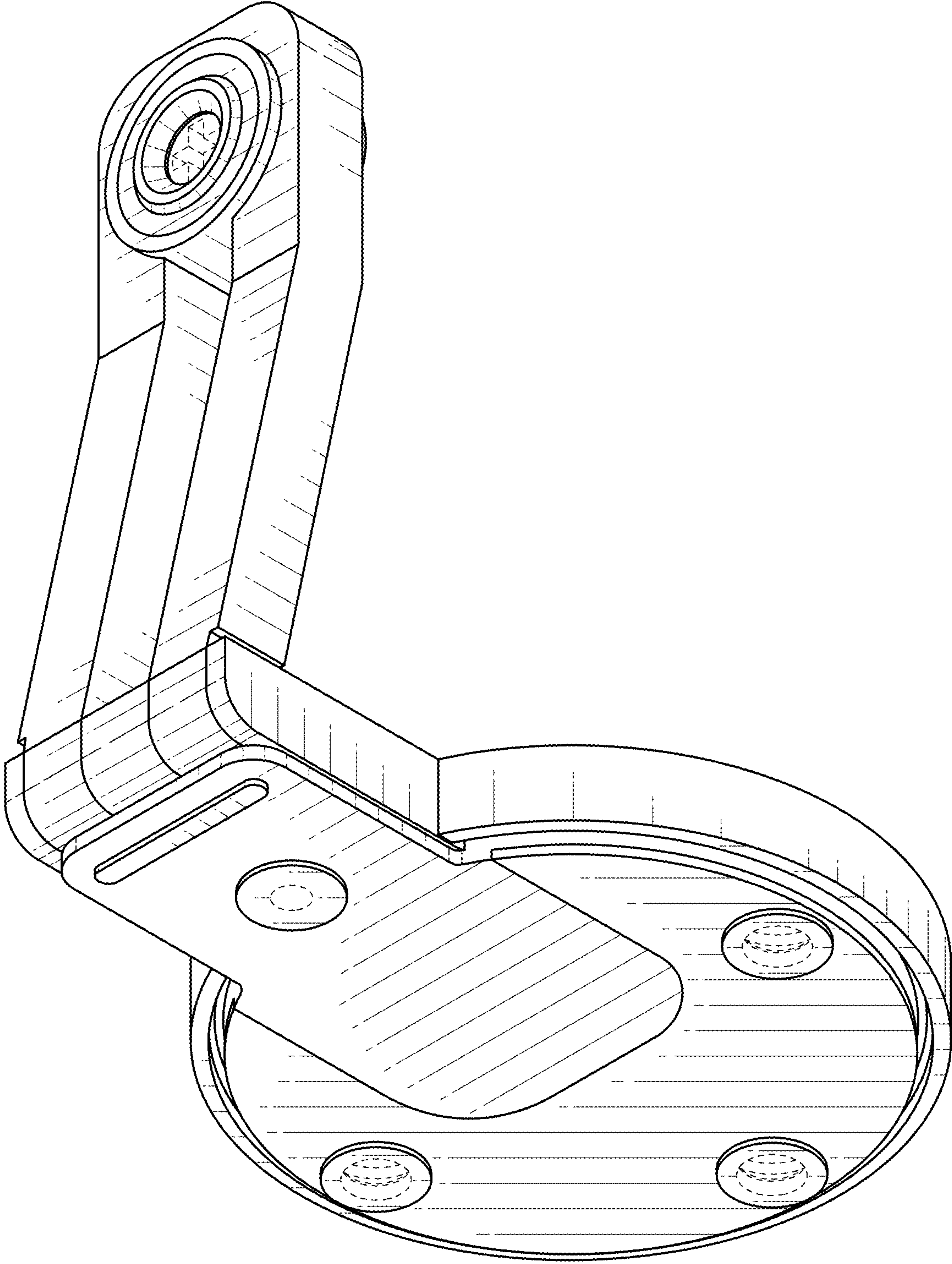


FIG. 10

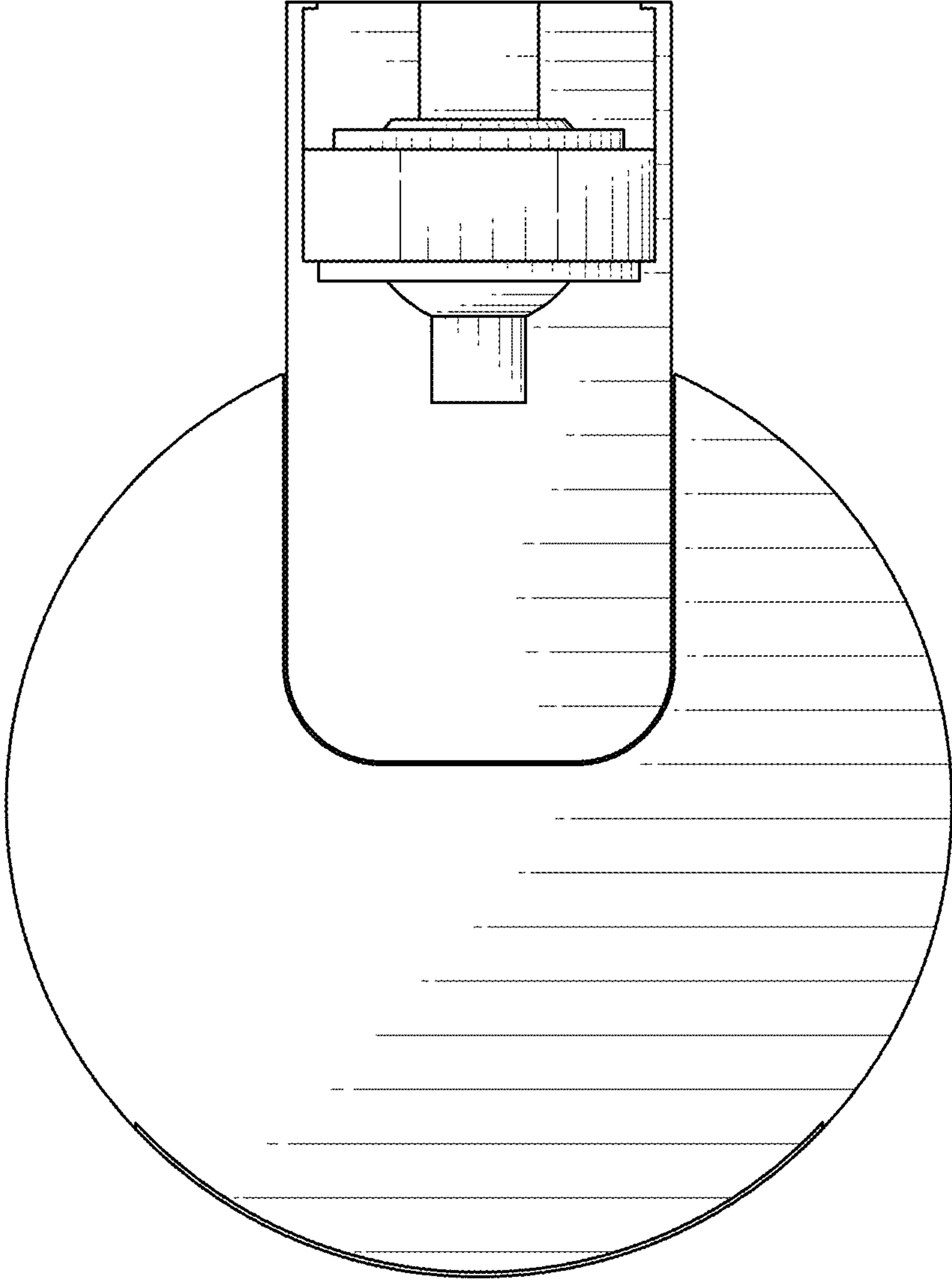


FIG. 11

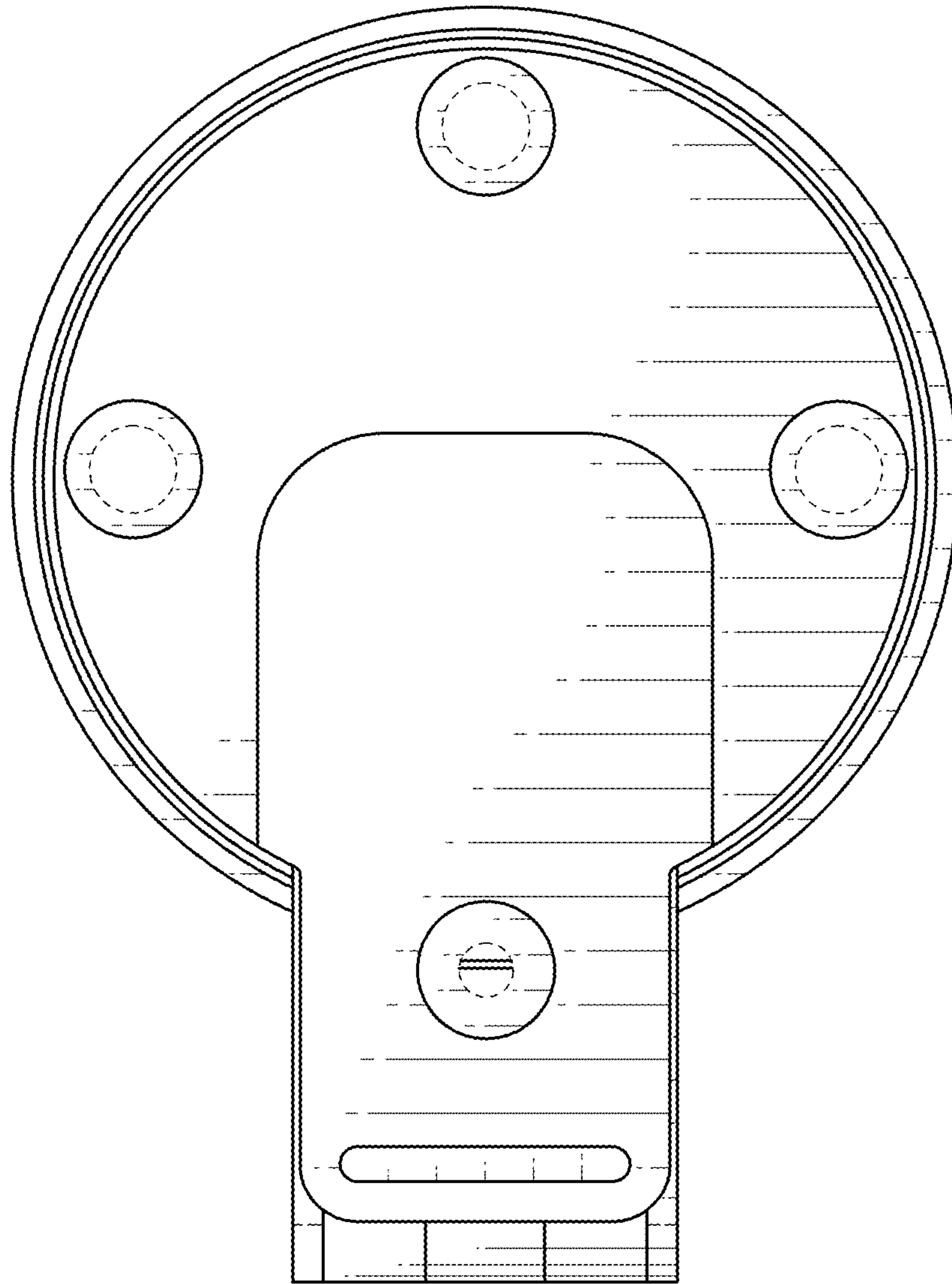


FIG. 12

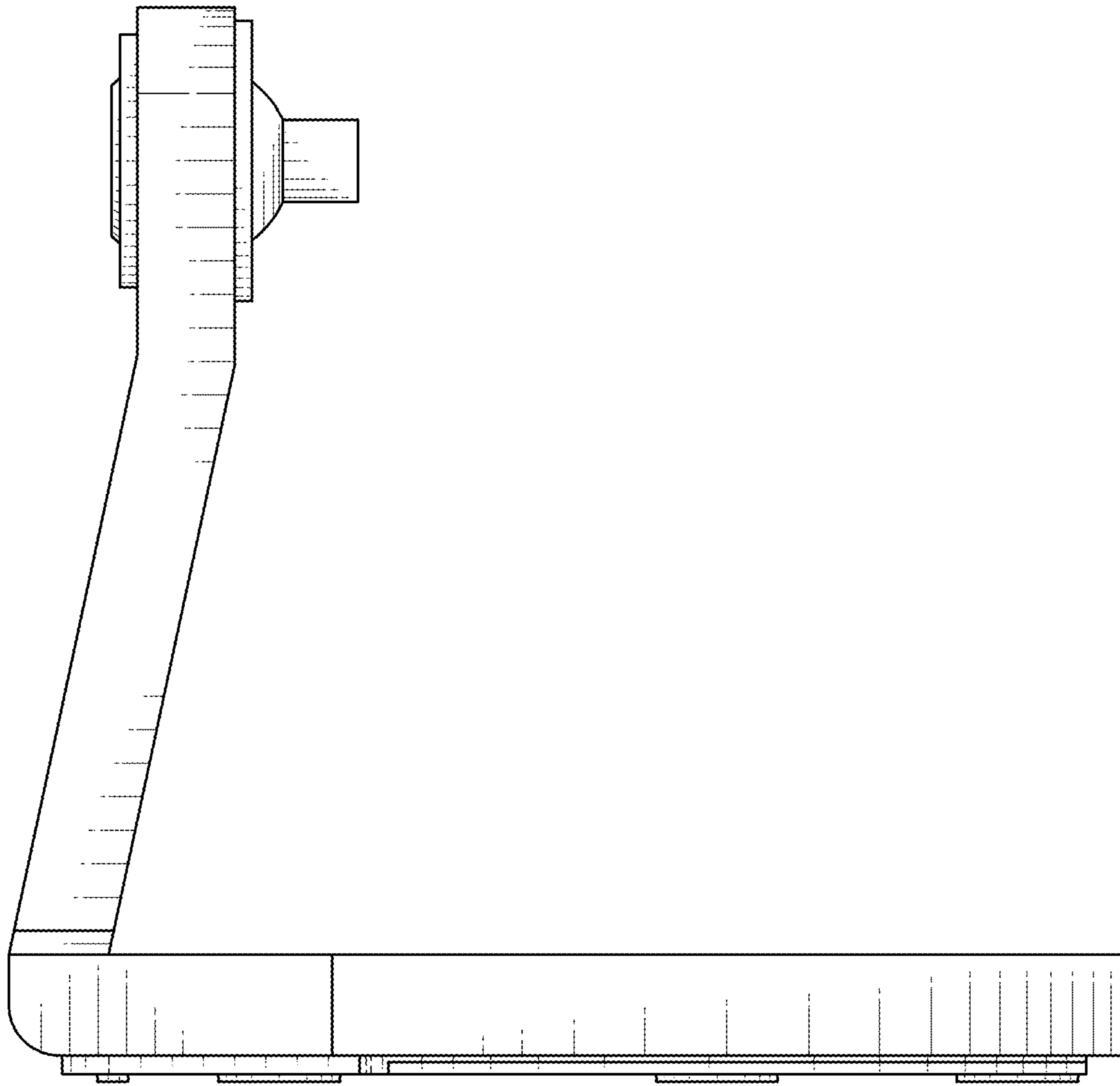


FIG. 13

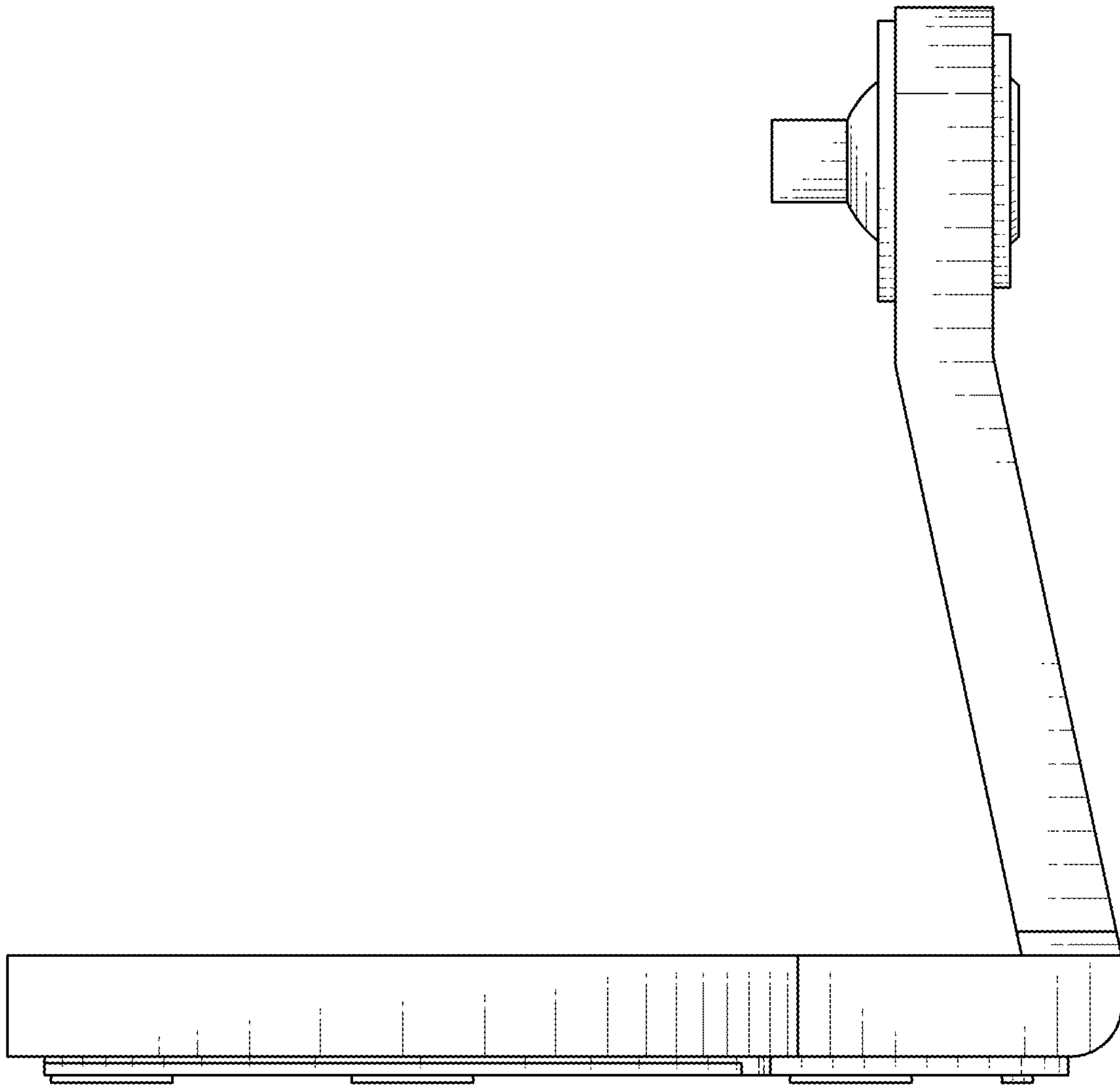


FIG. 14

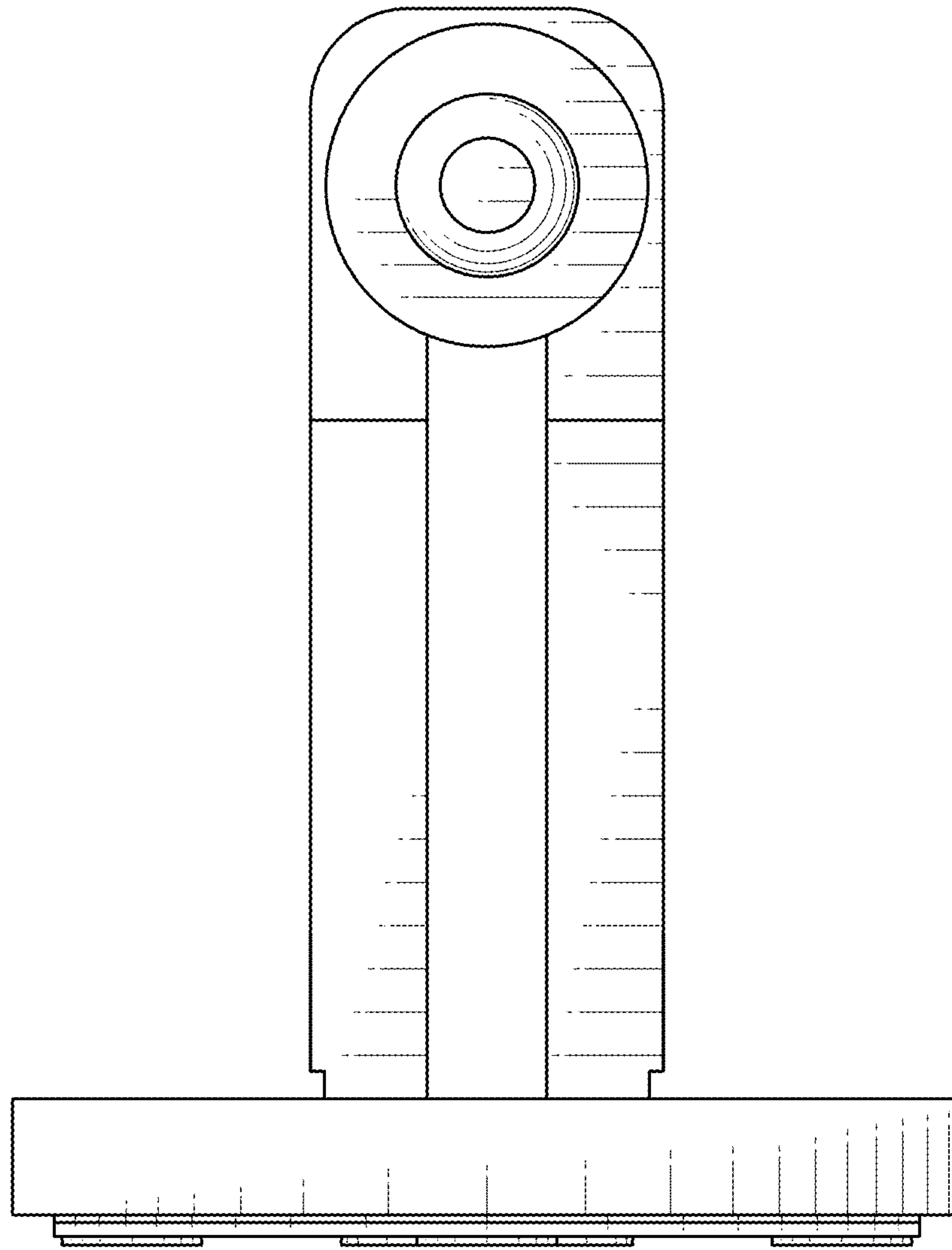


FIG. 15

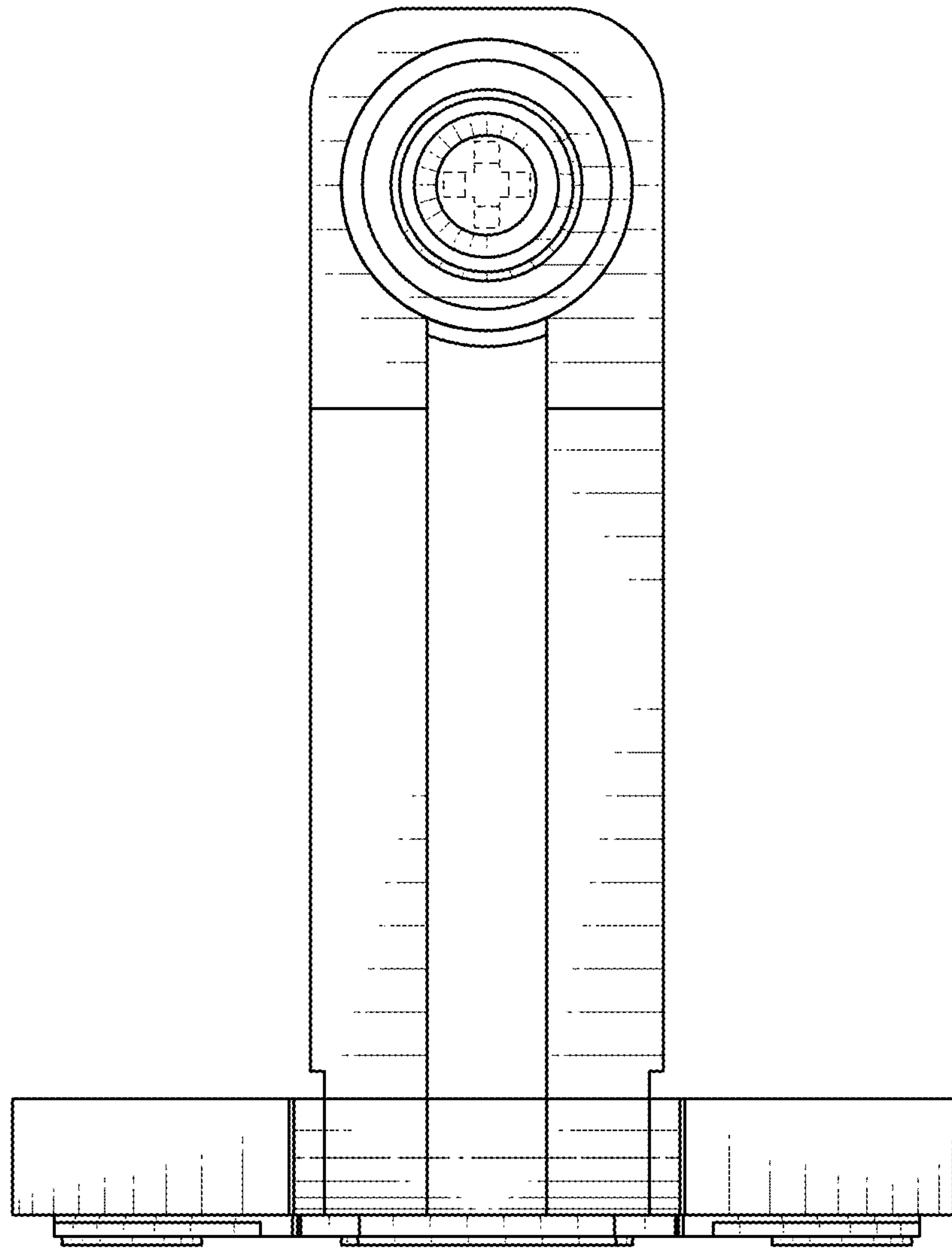


FIG. 16