



US00D909176S

(12) **United States Design Patent**
Garcia

(10) **Patent No.:** **US D909,176 S**

(45) **Date of Patent:** **** Feb. 2, 2021**

(54) **LOCKING PIN**

(71) Applicant: **Coulter Ventures, LLC.**, Columbus, OH (US)

(72) Inventor: **Nicolas Garcia**, Centerburg, OH (US)

(73) Assignee: **Coulter Ventures, LLC.**, Columbus, OH (US)

(**) Term: **15 Years**

(21) Appl. No.: **29/736,384**

(22) Filed: **May 29, 2020**

Related U.S. Application Data

(63) Continuation of application No. 29/667,362, filed on Oct. 19, 2018, now Pat. No. Des. 885,864.

(51) **LOC (13) Cl.** **08-07**

(52) **U.S. Cl.**
USPC **D8/331**; D21/694

(58) **Field of Classification Search**
USPC D8/330, 331, 336, 337, 338, 339, 341, D8/342, 343, 350; D21/681, 682, 694
CPC ... A63B 21/08; A63B 21/078; A63B 21/0783; A63B 21/16; A63B 2071/0081; A63B 1/005; A63B 21/0728; E05B 9/00; E05B 9/08; E05B 9/002; E05B 47/00; E05B 63/00; E05B 63/0004; E05B 63/06
See application file for complete search history.

(56) **References Cited**

U.S. PATENT DOCUMENTS

D248,114 S * 6/1978 Mangiapane D21/662
D263,555 S * 3/1982 Curtis D8/331
D279,495 S * 7/1985 Barbeau D21/681
D280,433 S * 9/1985 Lincir D21/694
4,679,788 A * 7/1987 Adler A63B 21/0615
482/108

4,681,315 A * 7/1987 Yang A63B 21/0726
482/127
4,711,106 A * 12/1987 Johnson E05B 67/36
70/34
D306,886 S * 3/1990 Shiek D21/662
5,203,753 A * 4/1993 Rothhammer A63B 21/072
411/55
5,391,133 A * 2/1995 Ruffa A63B 21/0601
482/107
D358,856 S * 5/1995 Boettger, Jr. D21/684
D367,902 S * 3/1996 Silk D21/710

(Continued)

OTHER PUBLICATIONS

GlideRite 1½" Knurled Knob, wayfair.com, <https://www.wayfair.com/home-improvement/pdp/gliderite-hardware-1-12-diameter-round-knob-hbty1266.html?piid=44148283> (Year: 2020).*

(Continued)

Primary Examiner — Steven J Cxyz

(74) *Attorney, Agent, or Firm* — Banner & Witcoff, Ltd.

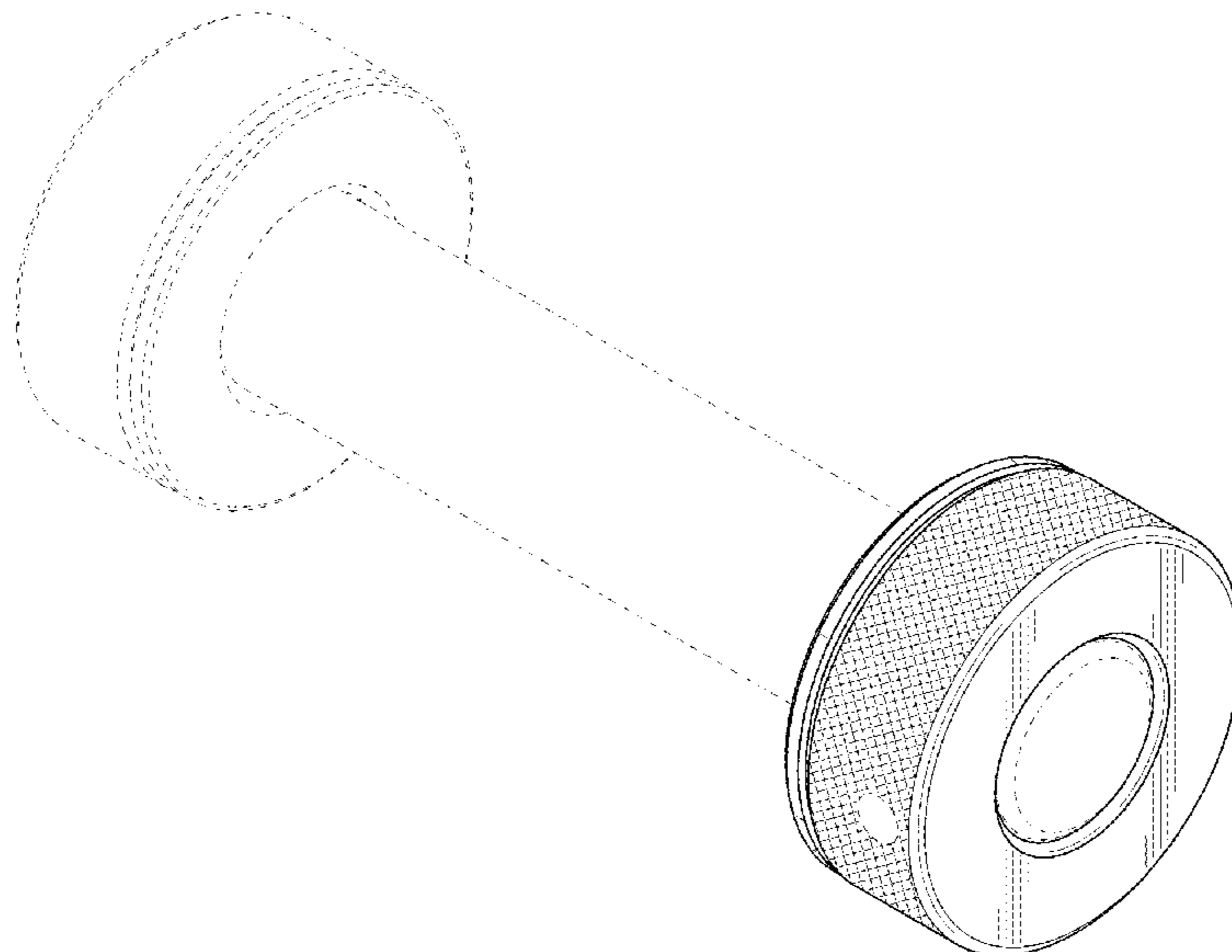
(57) **CLAIM**

The ornamental design for a locking pin, as shown and described.

DESCRIPTION

FIG. 1 is a top, front, right perspective view of a locking pin showing my new design;
FIG. 2 is a right side view thereof;
FIG. 3 is a left side view thereof;
FIG. 4 is a top view thereof;
FIG. 5 is a bottom view thereof;
FIG. 6 is a front view thereof;
FIG. 7 is a rear view thereof; and,
FIG. 8 is a top, front, left perspective view of the locking pin shown in use with environment.
The broken lines depict portions of the article and environment that form no part of the claimed design.

1 Claim, 5 Drawing Sheets



(56)

References Cited

U.S. PATENT DOCUMENTS

5,518,478 A * 5/1996 Liang A63B 21/0728
482/105

5,556,362 A 9/1996 Whipps

D374,897 S * 10/1996 Whisman D21/710

5,692,981 A * 12/1997 Whisman A63B 67/14
473/588

D401,649 S * 11/1998 Bellehumeur D21/710

5,839,977 A * 11/1998 Maurer A63B 59/70
473/446

5,997,597 A * 12/1999 Hagan B24D 5/00
451/527

D421,762 S * 3/2000 Shirley D16/227

6,059,700 A * 5/2000 Ellenburg A63B 21/0724
482/107

D428,795 S * 8/2000 Wyers D8/341

D431,114 S * 9/2000 Smith D21/710

6,123,651 A 9/2000 Ellenburg

6,132,345 A * 10/2000 Beierschmitt A63B 21/072
482/108

D444,050 S * 6/2001 Wyers D8/341

D447,043 S * 8/2001 Wyers D8/339

6,412,315 B1 * 7/2002 Cheng B60D 1/52
280/507

D461,392 S * 8/2002 Zapushek D8/331

D464,094 S * 10/2002 Fond D21/680

6,602,169 B1 * 8/2003 Patti A63B 21/0728
482/107

6,689,022 B1 * 2/2004 Emick A63B 21/06
482/93

6,722,170 B2 * 4/2004 Squier E05B 9/08
292/DIG. 53

D493,518 S * 7/2004 McAllister D24/104

D496,414 S * 9/2004 Harms D21/681

6,862,905 B2 * 3/2005 Zapushek B60D 1/60
70/14

D504,923 S * 5/2005 Harms D21/681

D519,584 S * 4/2006 Brice D21/681

7,048,678 B2 * 5/2006 Harms A63B 21/0728
482/107

D561,001 S * 2/2008 Rohde D8/334

D561,852 S * 2/2008 Frey D21/710

D579,993 S * 11/2008 Fairchild D21/710

D581,248 S * 11/2008 Wu D8/343

D581,249 S * 11/2008 Wu D8/343

7,491,156 B1 * 2/2009 Gaoyong A63B 21/0724
482/106

D589,779 S * 4/2009 Wrase D8/330

D594,311 S * 6/2009 Stevens D8/331

D615,605 S * 5/2010 Frasco D21/694

7,740,569 B2 * 6/2010 Patti A63B 21/0726
482/107

7,775,948 B2 * 8/2010 Chen A63B 21/075
482/108

7,819,786 B1 * 10/2010 Cao A63B 21/0726
482/106

8,033,964 B1 * 10/2011 Chen A63B 21/00069
482/106

D653,715 S 2/2012 Tumminia

8,201,844 B1 * 6/2012 Smoot B60D 1/025
280/491.5

8,210,996 B2 * 7/2012 Anderson A63B 21/063
482/107

8,302,435 B2 * 11/2012 Burmesch B60D 1/025
70/34

8,303,225 B2 * 11/2012 Kearl F16B 37/044
411/344

8,500,609 B1 8/2013 Williams

D692,970 S * 11/2013 Lien D21/681

D694,091 S 11/2013 Gartner

D696,723 S * 12/2013 Livingstone D19/86

D709,754 S * 7/2014 Lylyk D8/331

8,876,396 B2 * 11/2014 Guilford F16C 33/586
384/549

D720,201 S 12/2014 Gokcebay et al.

8,951,169 B1 2/2015 Casper

9,126,079 B2 * 9/2015 Jordan A63B 21/072

9,132,315 B1 9/2015 Chen

D740,897 S 10/2015 Miltner et al.

D747,640 S 1/2016 Scalisi

9,314,661 B1 * 4/2016 Chen A63B 21/0728

D758,167 S 6/2016 Gartner

D758,168 S 6/2016 Gartner

D770,881 S * 11/2016 Gartner D8/334

9,526,941 B2 * 12/2016 Wu A63B 21/4035

D777,851 S * 1/2017 Simonetti D21/694

D793,205 S * 8/2017 Ho D8/330

D795,041 S * 8/2017 Oliva Camacho D8/331

D796,298 S * 9/2017 Lylyk D8/331

9,874,042 B2 * 1/2018 Gartner E05B 41/00

D830,811 S * 10/2018 Frantz D8/330

D837,031 S * 1/2019 Cavanna D8/331

D843,197 S * 3/2019 Dempsey D8/343

D843,524 S * 3/2019 Henniger D21/694

D846,044 S 4/2019 Peritz

D857,132 S * 8/2019 Dube D21/694

D857,143 S * 8/2019 Mateko D22/108

10,456,617 B1 * 10/2019 Allison A63B 22/16

10,458,838 B2 * 10/2019 Lee G01C 19/00

10,493,313 B2 * 12/2019 Jones A63B 21/0602

D876,924 S * 3/2020 Xie D8/331

10,576,322 B2 * 3/2020 Schlegel A63B 69/345

D884,467 S * 5/2020 Suen D9/414

D885,864 S * 6/2020 Garcia D8/331

D891,147 S * 7/2020 Denby D6/553

D891,545 S * 7/2020 Jones D21/694

2006/0096876 A1 5/2006 Scott

2007/0243976 A1 * 10/2007 Cao A63B 21/063
482/94

2007/0298940 A1 * 12/2007 Anderson A63B 21/075
482/107

2008/0220952 A1 * 9/2008 Yang A63B 21/0728
482/107

2009/0023563 A1 * 1/2009 Liang A63B 21/072
482/106

2009/0239719 A1 * 9/2009 Patti A63B 21/0726
482/107

2010/0075816 A1 * 3/2010 Anderson A63B 21/0728
482/107

2010/0190618 A1 7/2010 Chen

2012/0006836 A1 1/2012 Chen

2013/0040788 A1 2/2013 Booker et al.

2013/0274077 A1 10/2013 Greenberg et al.

2013/0288862 A1 * 10/2013 Lien A63B 21/075
482/108

2014/0106943 A1 4/2014 Simonetti

2014/0274591 A1 * 9/2014 Miltner A63B 21/00069
482/98

2015/0133274 A1 5/2015 Simonetti

2016/0059062 A1 3/2016 Simonetti

2016/0082794 A1 3/2016 Mauerman et al.

2016/0101320 A1 4/2016 Tsutsui et al.

2016/0228739 A1 8/2016 Wu

2017/0234706 A1 8/2017 Martin et al.

2017/0259103 A1 9/2017 Simonetti

2018/0272175 A1 * 9/2018 Henniger A63B 21/0607

2018/0296870 A1 10/2018 Gangemi et al.

2019/0038927 A1 * 2/2019 Wilhelm A63B 21/0728

2019/0184256 A1 6/2019 Mainini et al.

2019/0247701 A1 8/2019 Sergakis et al.

2019/0388723 A1 * 12/2019 Nalley A63B 21/0058

2020/0023698 A1 1/2020 Tsai

2020/0047020 A1 * 2/2020 Harms A63B 21/0724

OTHER PUBLICATIONS

Carrlane Adjustable Torque Knobs, Knurled Knobs and Screw Clamps, apexindustrialsupply.com, <https://apexindustrialsupply.com/carrlane-adjustable-torque-knob-cl-5-atk/> (Year: 2020).*

PlankHardware Knurled Knob, etsy.com, https://www.etsy.com/listing/699993765/large-knurled-button-cabinet-knobs?ga_order=

(56)

References Cited

OTHER PUBLICATIONS

most_relevant&ga_search_type=all&ga_view_type=gallery&ga_search_query=knurling&ref=sr_gallery-1-5&col=1 (Year: 2020).*

Product listing for Rogue Monster Plate Storage Pin from <https://web.archive.org/web/20170423182638/http://www.roguefitness.com/rogue-monster-plate-storage-pin>, dated Apr. 23, 2017.

Photos of Rogue Monster Plate Storage Pin from <https://web.archive.org/web/20170423182638/http://www.roguefitness.com/rogue-monster-plate-storage-pin>, dated Apr. 23, 2017.

Product photo posted at <https://www.facebook.com/roguefitness/photos/a.128475269459/10157445836814460/?type=3&theater>, dated Sep. 28, 2018.

Product photo posted at <https://www.facebook.com/roguefitness/photos/a.128475269459/10157445836759460/?type=3&theater>, dated Sep. 28, 2018.

Product listing from <https://www.roguefitness.com/rogue-monster-keyhole-keyless-plate-storage-pin>, product disclosed prior to Oct. 19, 2018, but not on or prior to Oct. 19, 2017.

* cited by examiner

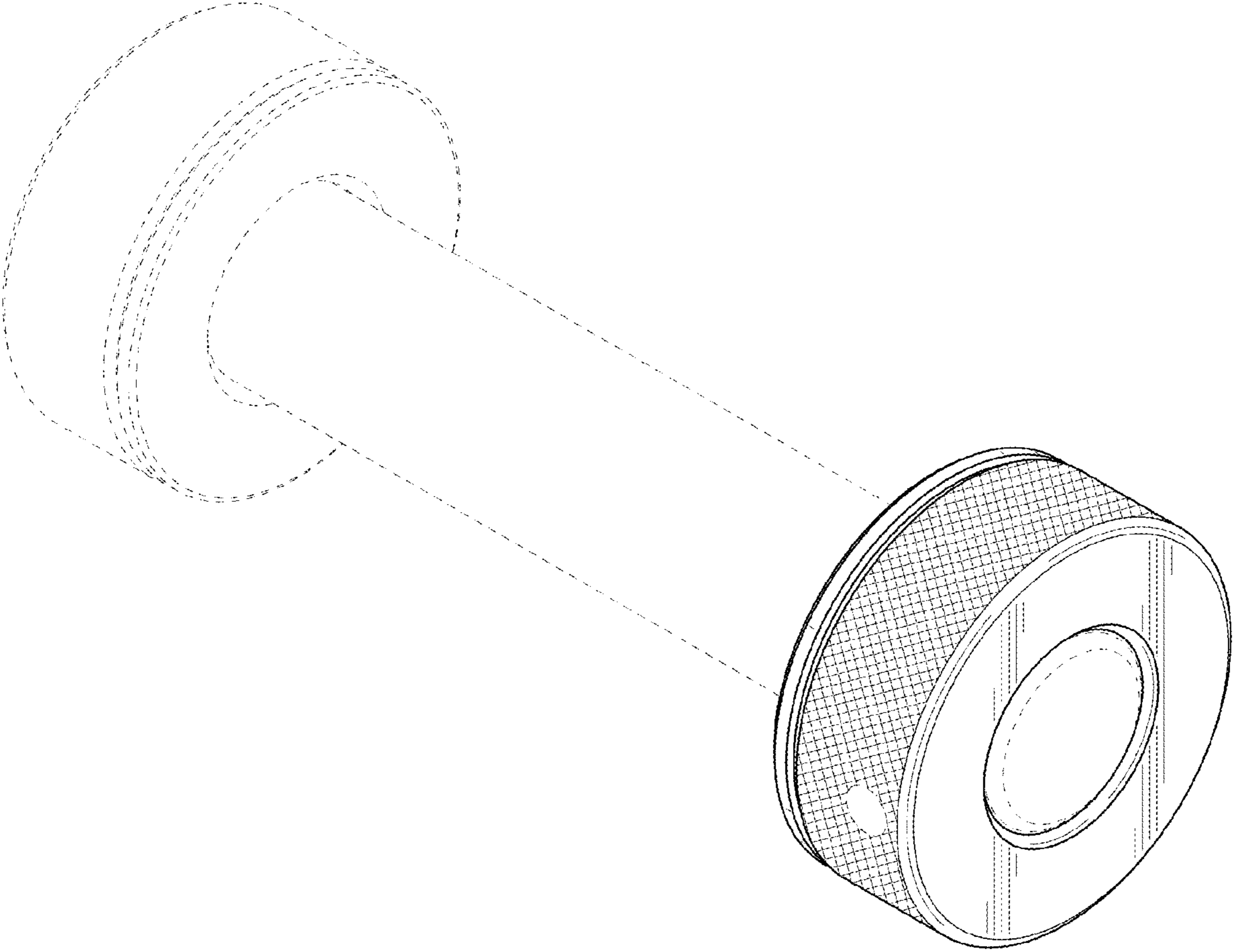


FIG. 1



FIG. 2



FIG. 3

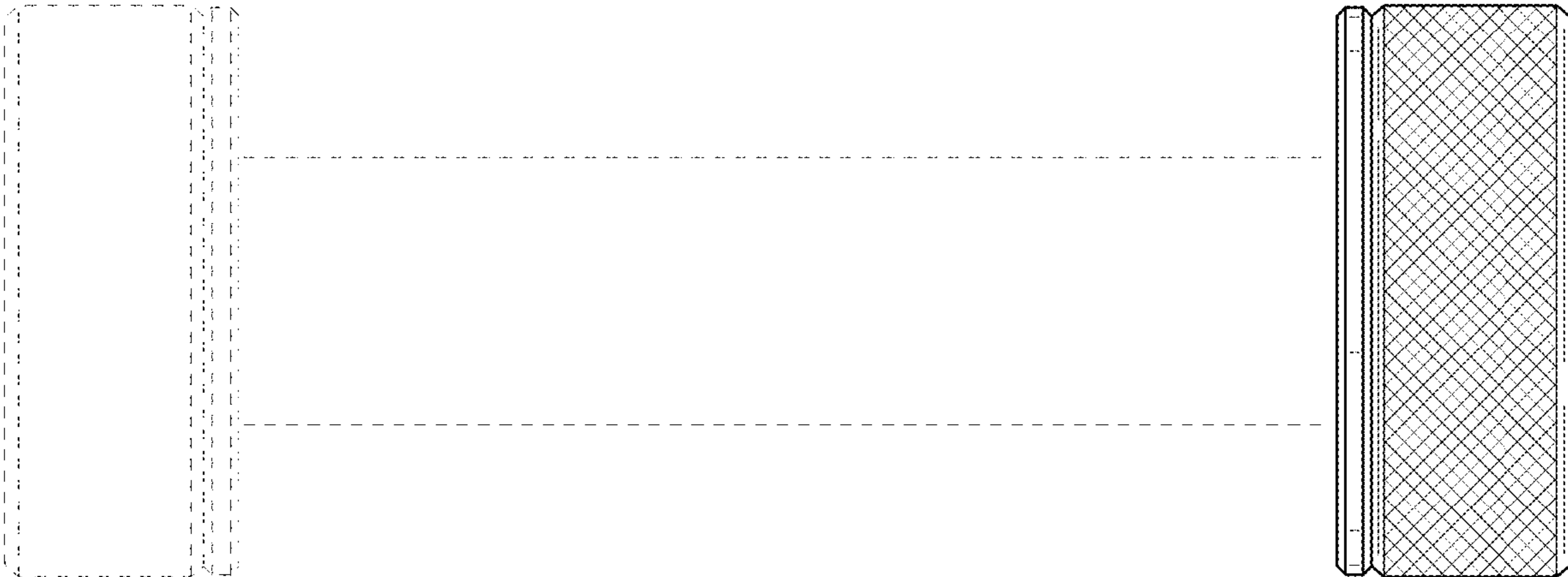


FIG. 4

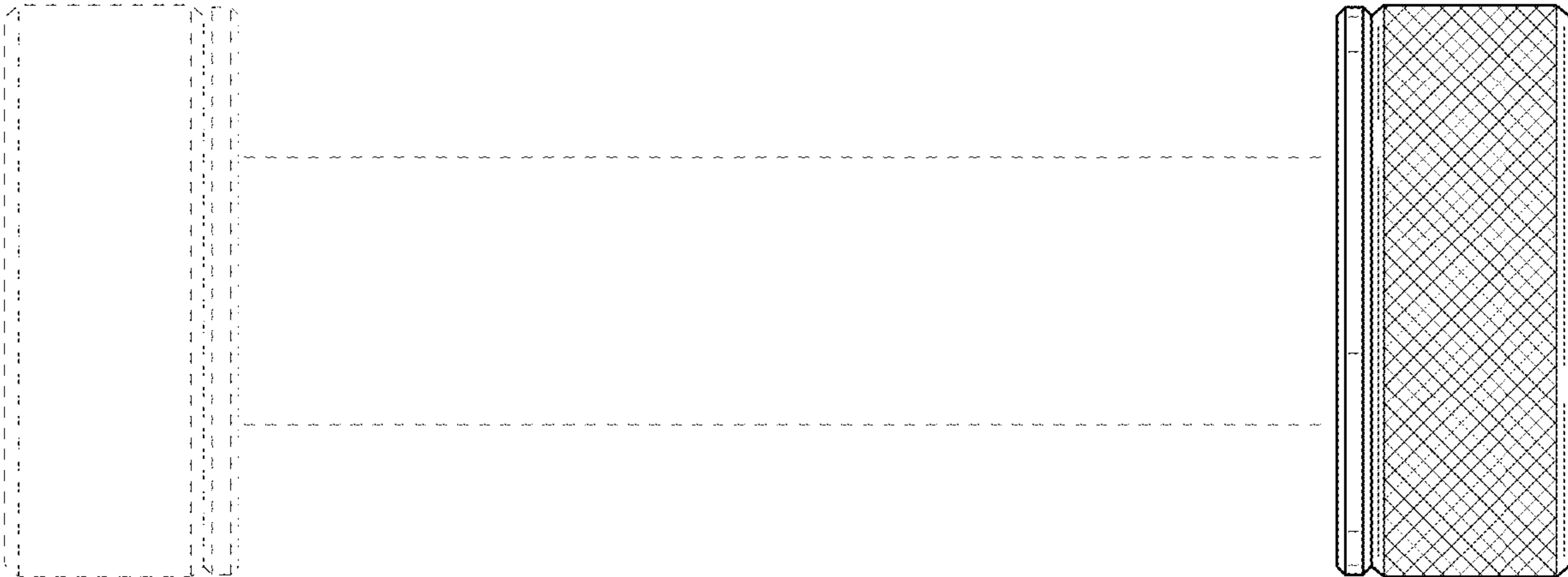


FIG. 5

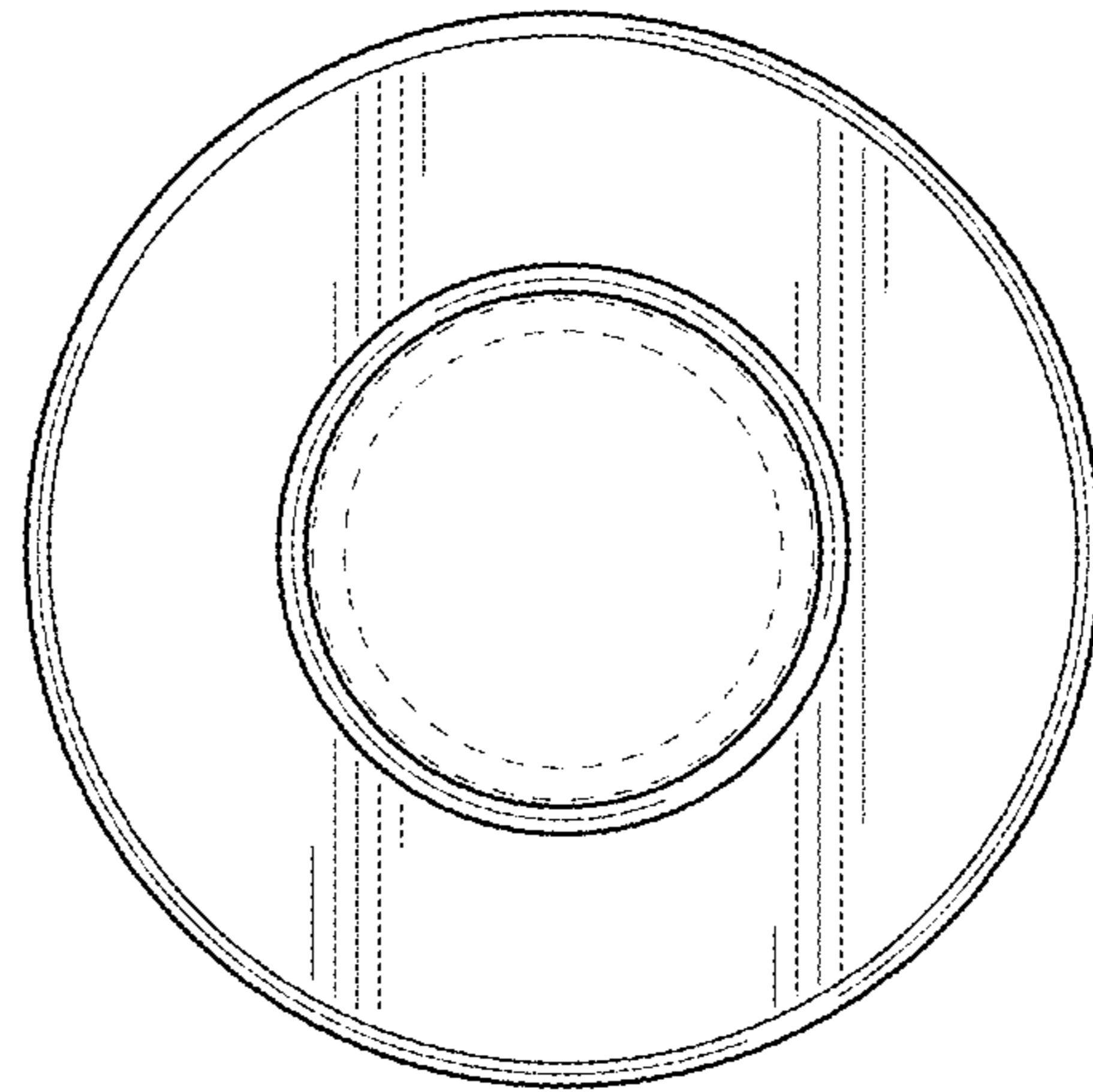


FIG. 6

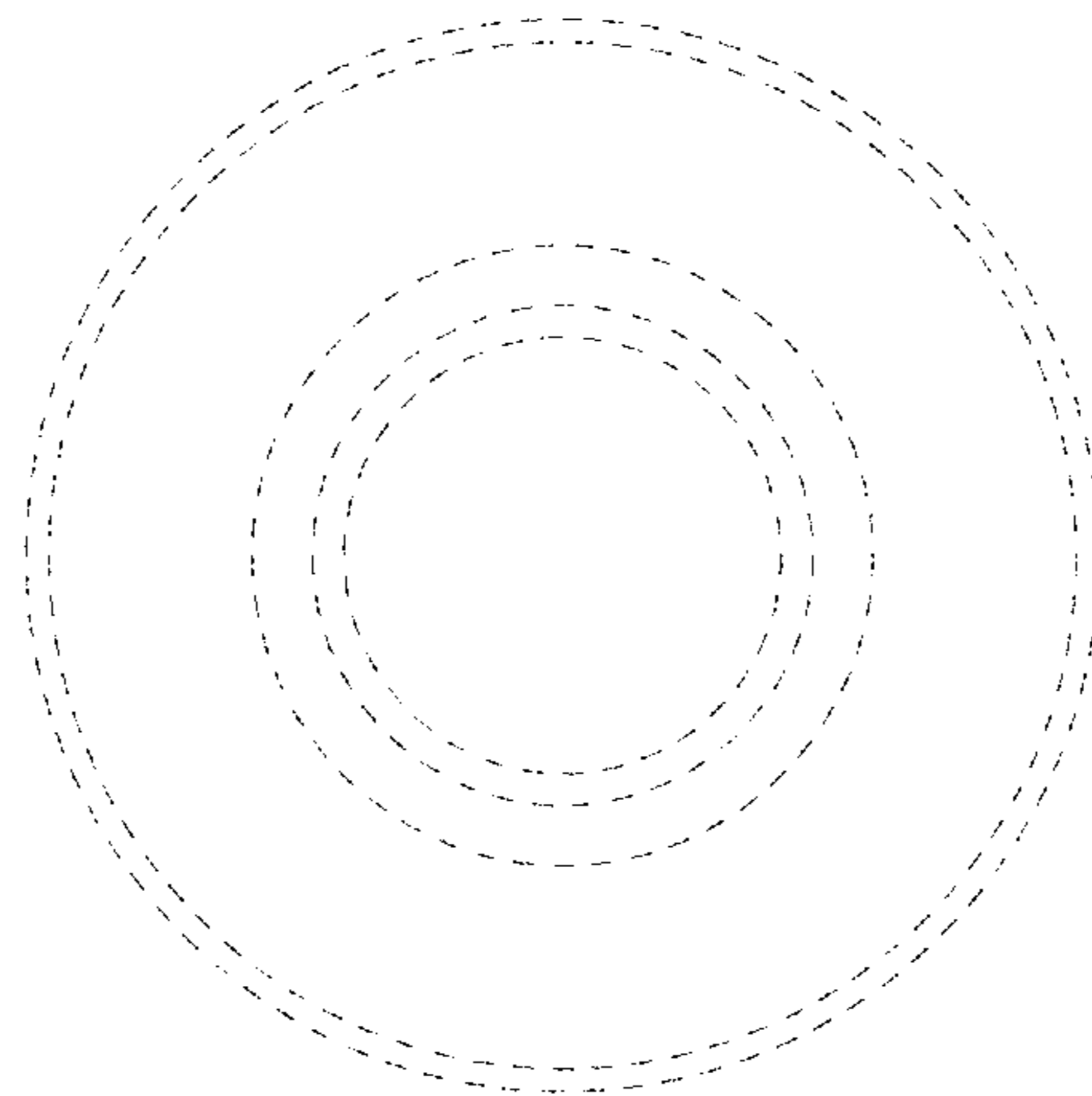


FIG. 7

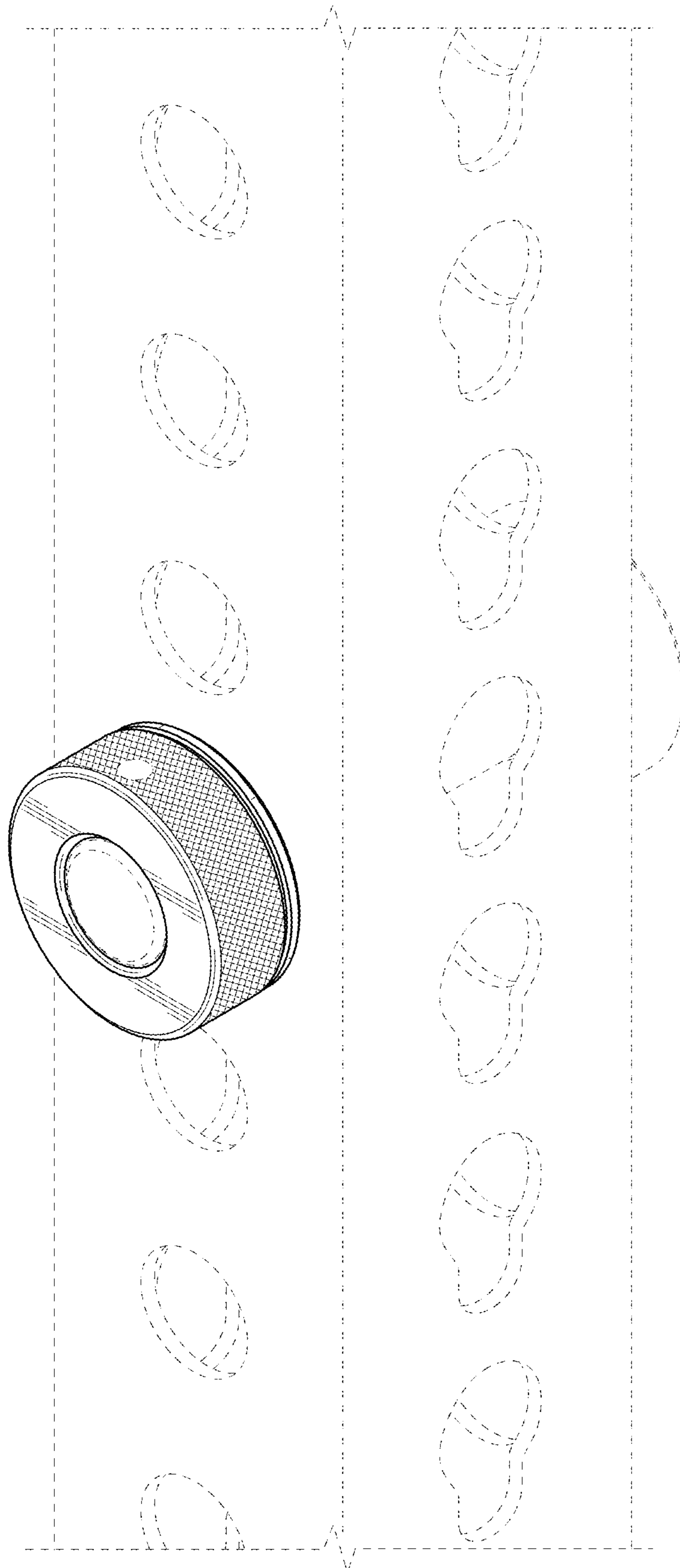


FIG. 8