



US00D909171S

(12) **United States Design Patent** (10) **Patent No.:** **US D909,171 S**
Bloch (45) **Date of Patent:** **** Feb. 2, 2021**

- (54) **FOLDING UTILITY KNIFE**
- (71) Applicant: **Outdoor Edge Cutlery Corporation,**
Denver, CO (US)
- (72) Inventor: **David R. Bloch,** Morrison, CO (US)
- (73) Assignee: **Outdoor Edge Cutlery Corporation,**
Denver, CO (US)
- (**) Term: **15 Years**
- (21) Appl. No.: **29/701,502**
- (22) Filed: **Aug. 12, 2019**

D584,125 S 1/2009 Ping
 D591,135 S 4/2009 Wu
 D596,914 S 7/2009 Huang
 (Continued)

Primary Examiner — Philip S Hyder
 (74) *Attorney, Agent, or Firm* — FisherBroyles, LLP;
 Craig W. Mueller

(57) **CLAIM**

The ornamental design for a folding utility knife, as shown and described.

DESCRIPTION

FIG. 1 is a front perspective view of the folding utility knife the new design;
 FIG. 2 is a front elevation view thereof;
 FIG. 3 is a rear elevation view thereof;
 FIG. 4 is a right elevation view thereof;
 FIG. 5 is a left elevation view thereof;
 FIG. 6 is a top plan view thereof;
 FIG. 7 is a bottom plan view thereof;
 FIG. 8 is a front perspective view of the folding utility knife in a folded configuration;
 FIG. 9 is a front perspective view thereof;
 FIG. 10 is a front elevation view thereof;
 FIG. 11 is a right elevation view thereof;
 FIG. 12 is a left elevation view thereof;
 FIG. 13 is a top plan view thereof;
 FIG. 14 is a bottom plan view thereof;
 FIG. 15 is a front perspective view of another embodiment of the folding utility knife;
 FIG. 16 is a front elevation view thereof;
 FIG. 17 is a rear elevation view thereof;
 FIG. 18 is a right elevation view thereof;
 FIG. 19 is a left elevation view thereof;
 FIG. 20 is a top plan view thereof; and,
 FIG. 21 is a bottom plan view thereof.
 The broken lines depict unclaimed portions of the claimed design.

Related U.S. Application Data

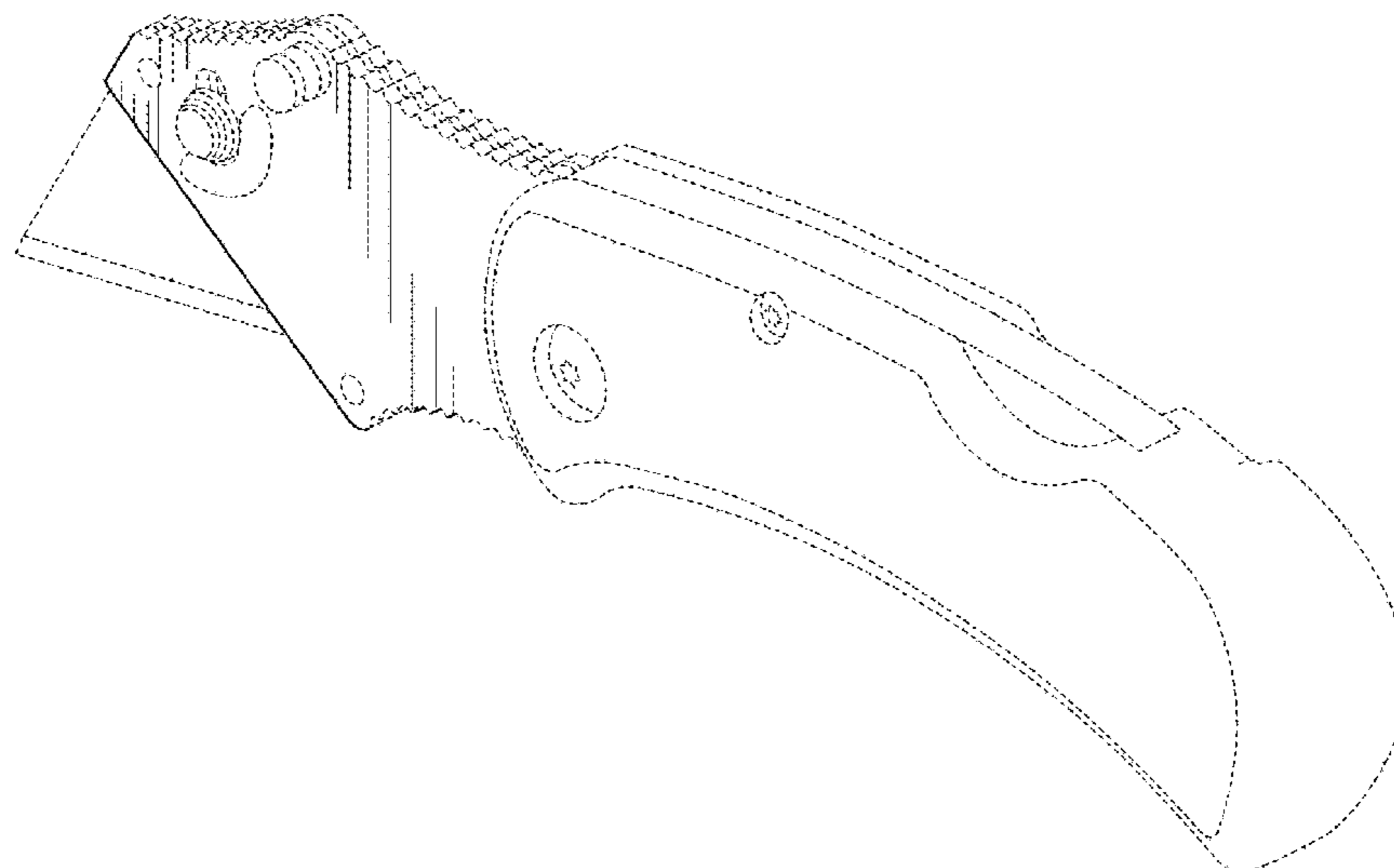
- (63) Continuation of application No. 29/634,367, filed on Aug. 13, 2019, now Pat. No. Des. 856,110.
- (51) **LOC (13) Cl.** **08-03**
- (52) **U.S. Cl.**
USPC **D8/99**
- (58) **Field of Classification Search**
USPC D8/98, 99, 100, 105, 107; D22/118
CPC B26B 5/001; B26B 5/003; B26B 11/00;
B26B 1/08; B26B 1/02; B26B 1/10;
B26B 1/04; B26B 1/046; B26B 1/048;
B26B 1/042
See application file for complete search history.

(56) **References Cited**

U.S. PATENT DOCUMENTS

6,688,003 B2	2/2004	Scarla
D494,437 S	8/2004	Scarla
7,007,392 B2	3/2006	Ping
D519,817 S	5/2006	Wong
7,040,022 B2	5/2006	Ping
D526,878 S	8/2006	Ping
D546,158 S	7/2007	Ping
D552,955 S	10/2007	Ping
D568,137 S	5/2008	Hernandez, Jr.
7,380,341 B2	6/2008	Ping
D578,858 S	10/2008	Ping

1 Claim, 14 Drawing Sheets



(56)

References Cited

U.S. PATENT DOCUMENTS

7,814,664	B2	10/2010	LeBlanc
8,006,389	B2	8/2011	Jennings
D645,719	S	9/2011	Wu
8,938,883	B2	1/2015	Gringer
D769,692	S	10/2016	Squiers
D793,836	S	8/2017	Kommer
D829,525	S	10/2018	Wong
2010/0299935	A1	12/2010	Ping

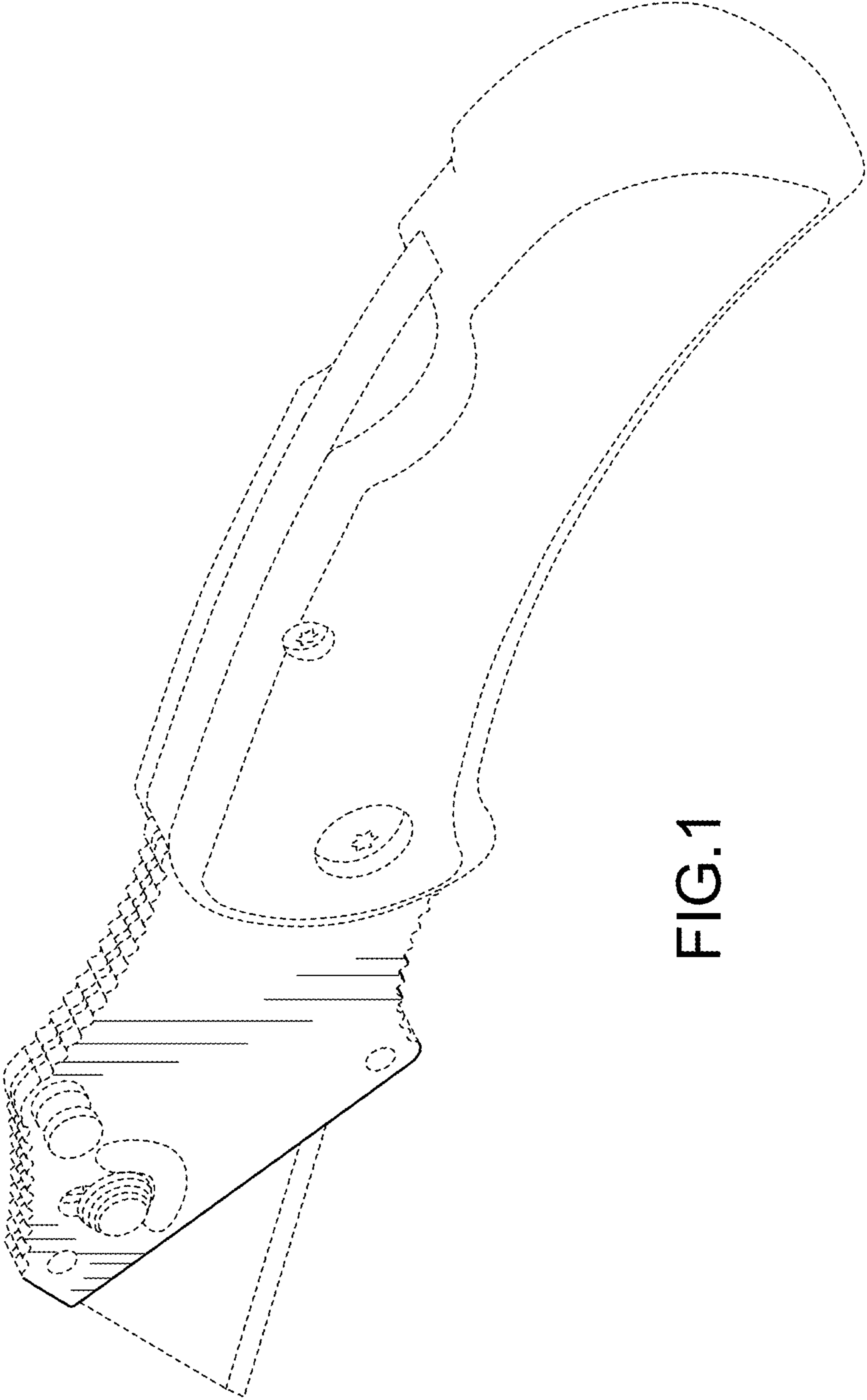


FIG.1

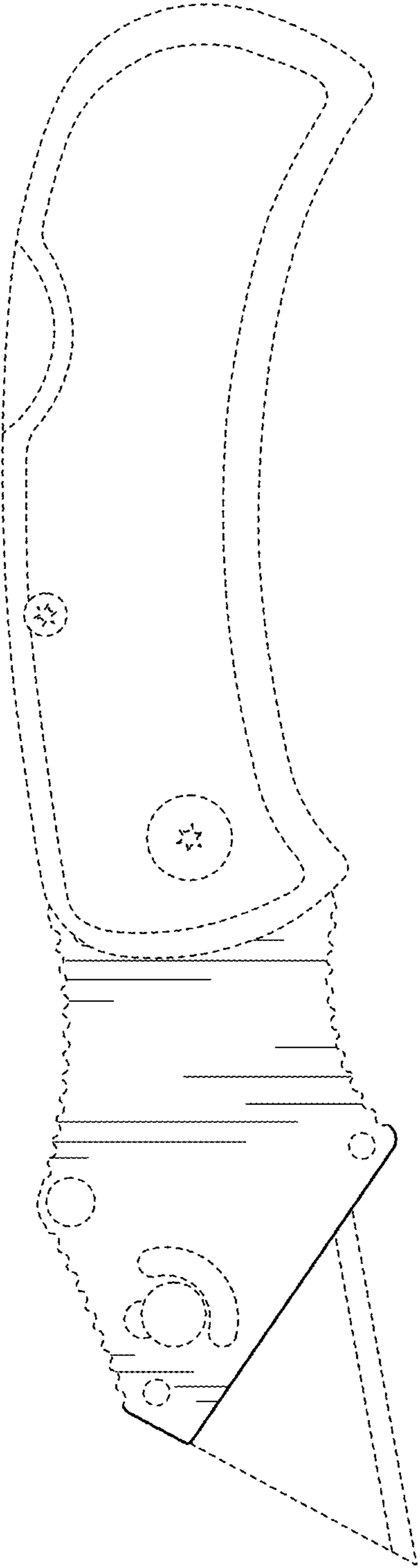


FIG.2

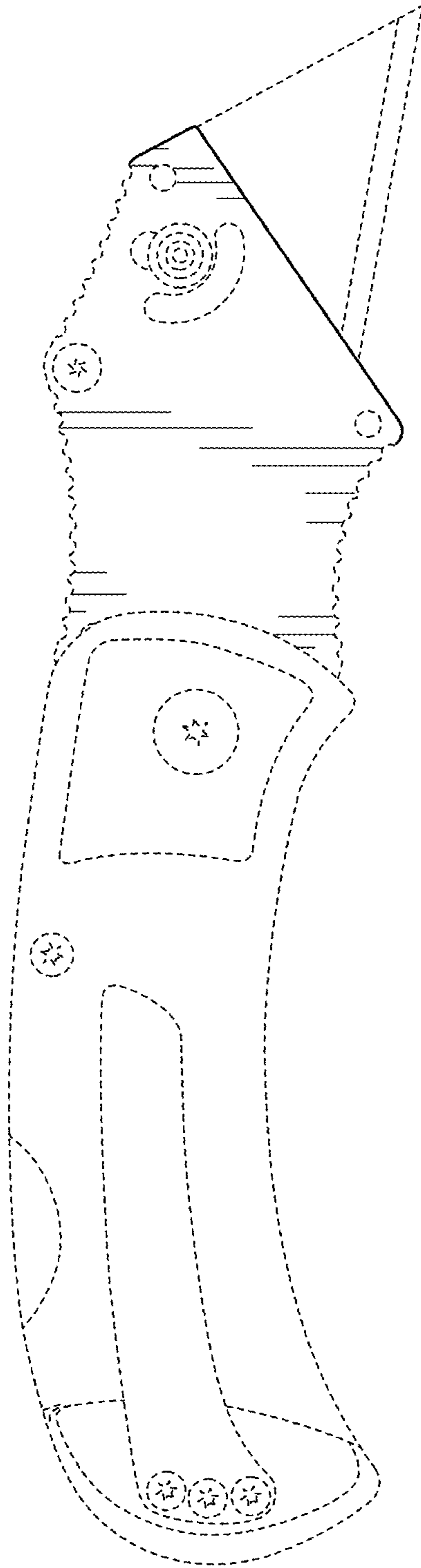


FIG.3

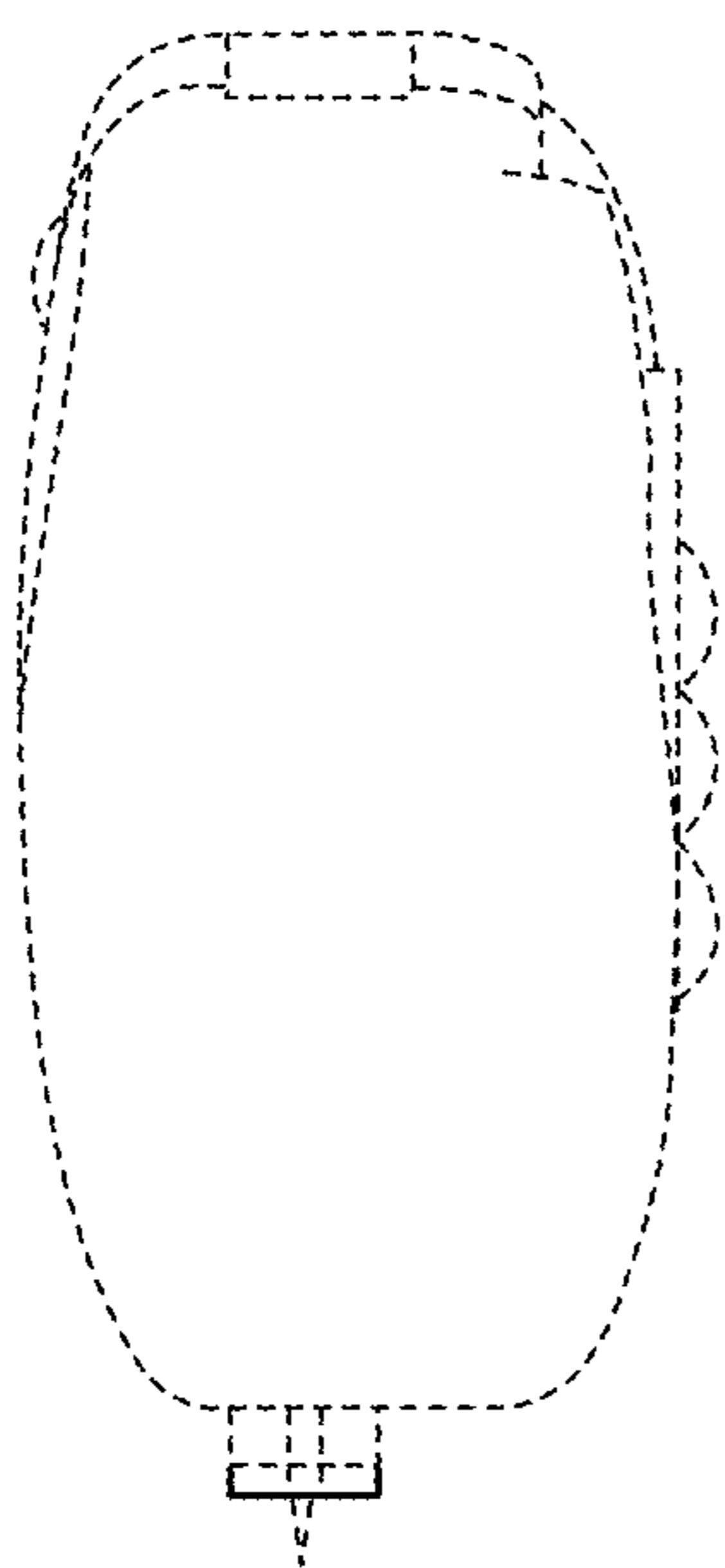


FIG. 4

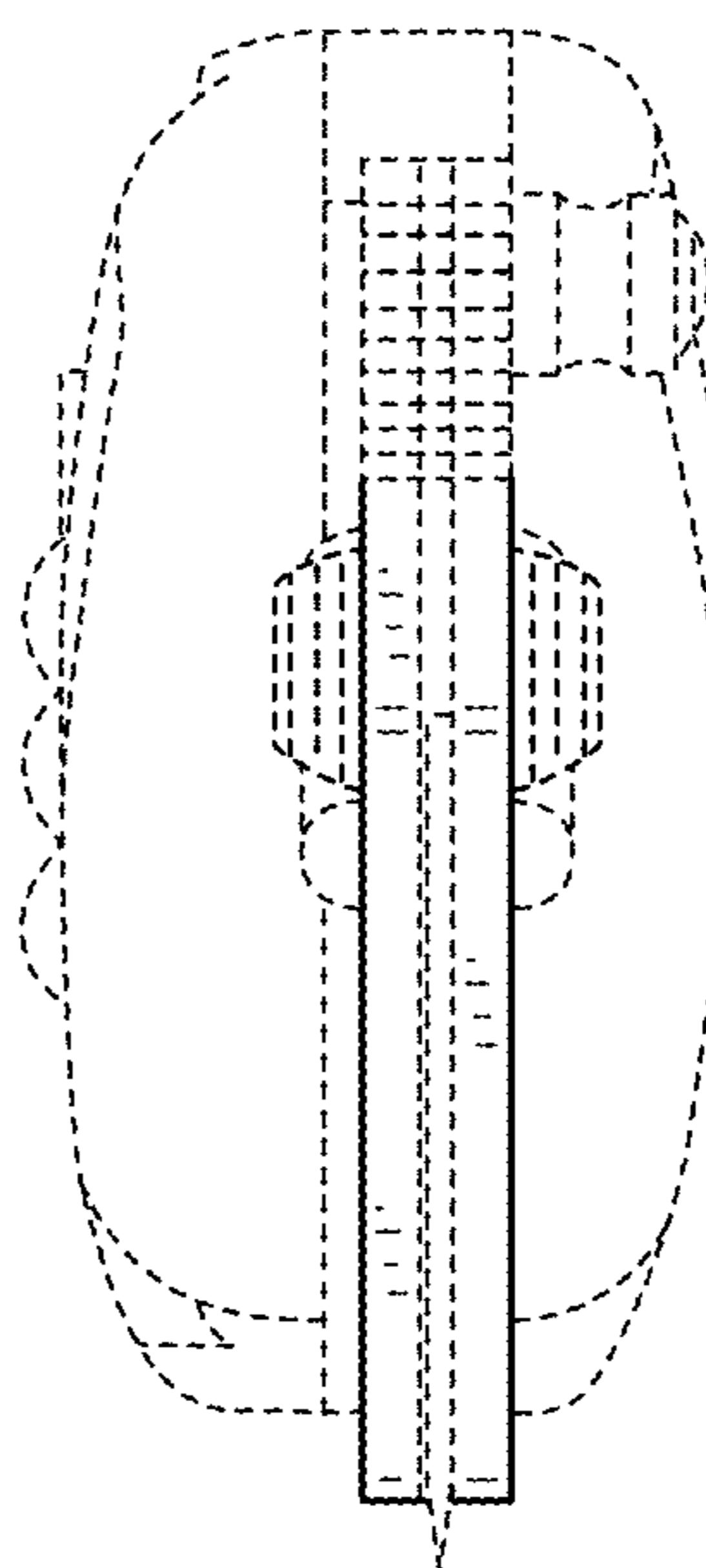


FIG. 5

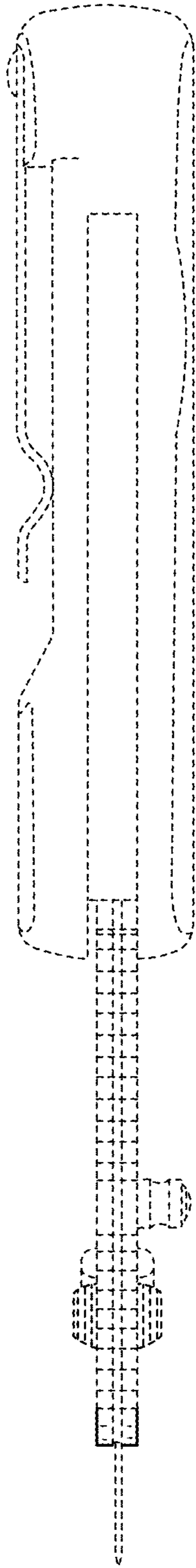


FIG. 6

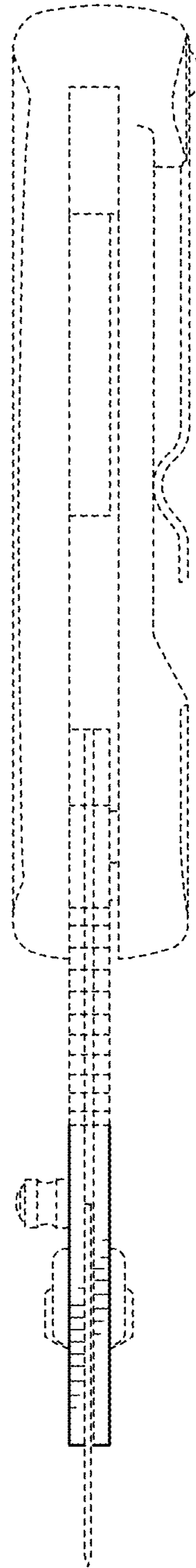


FIG. 7

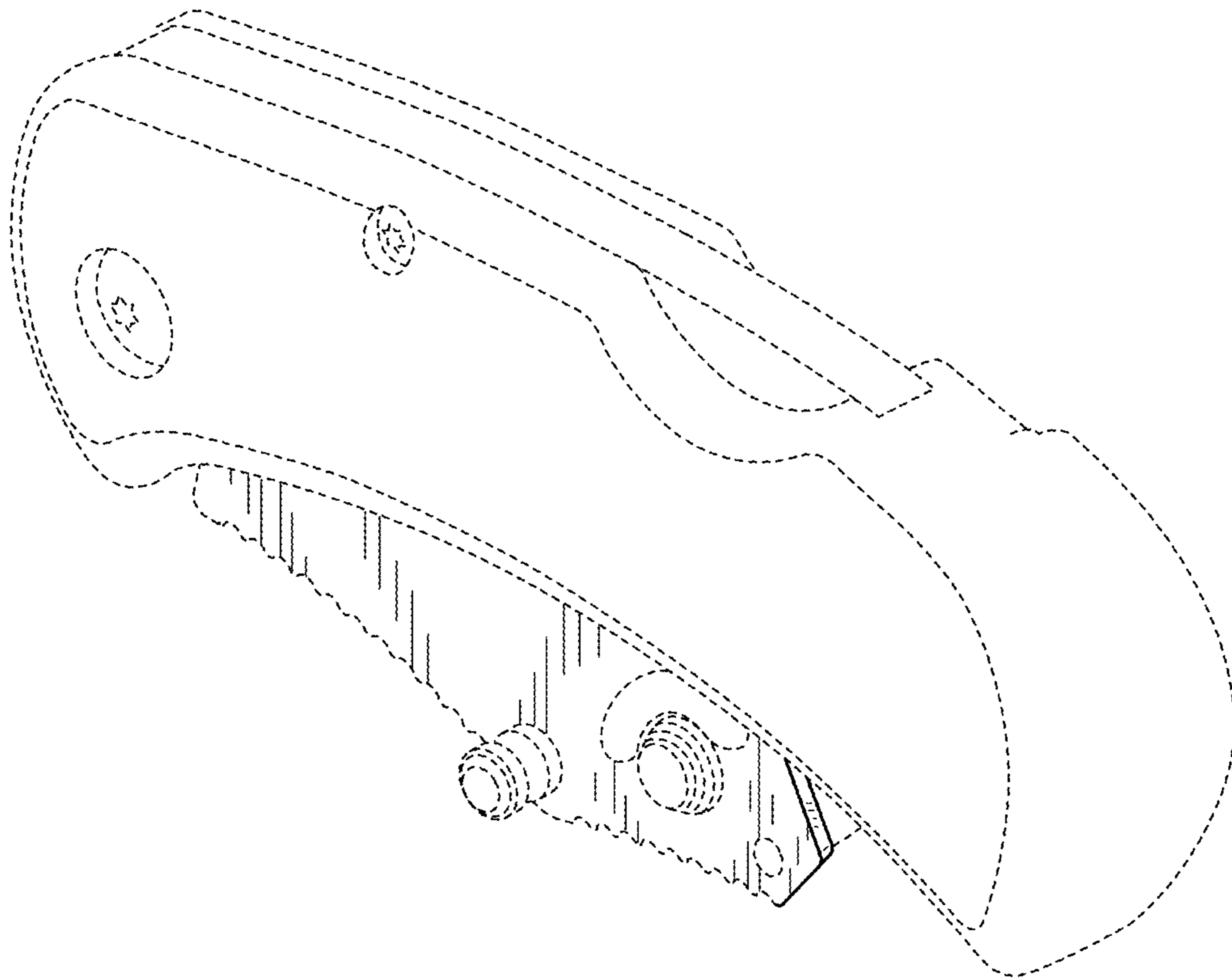


FIG.8

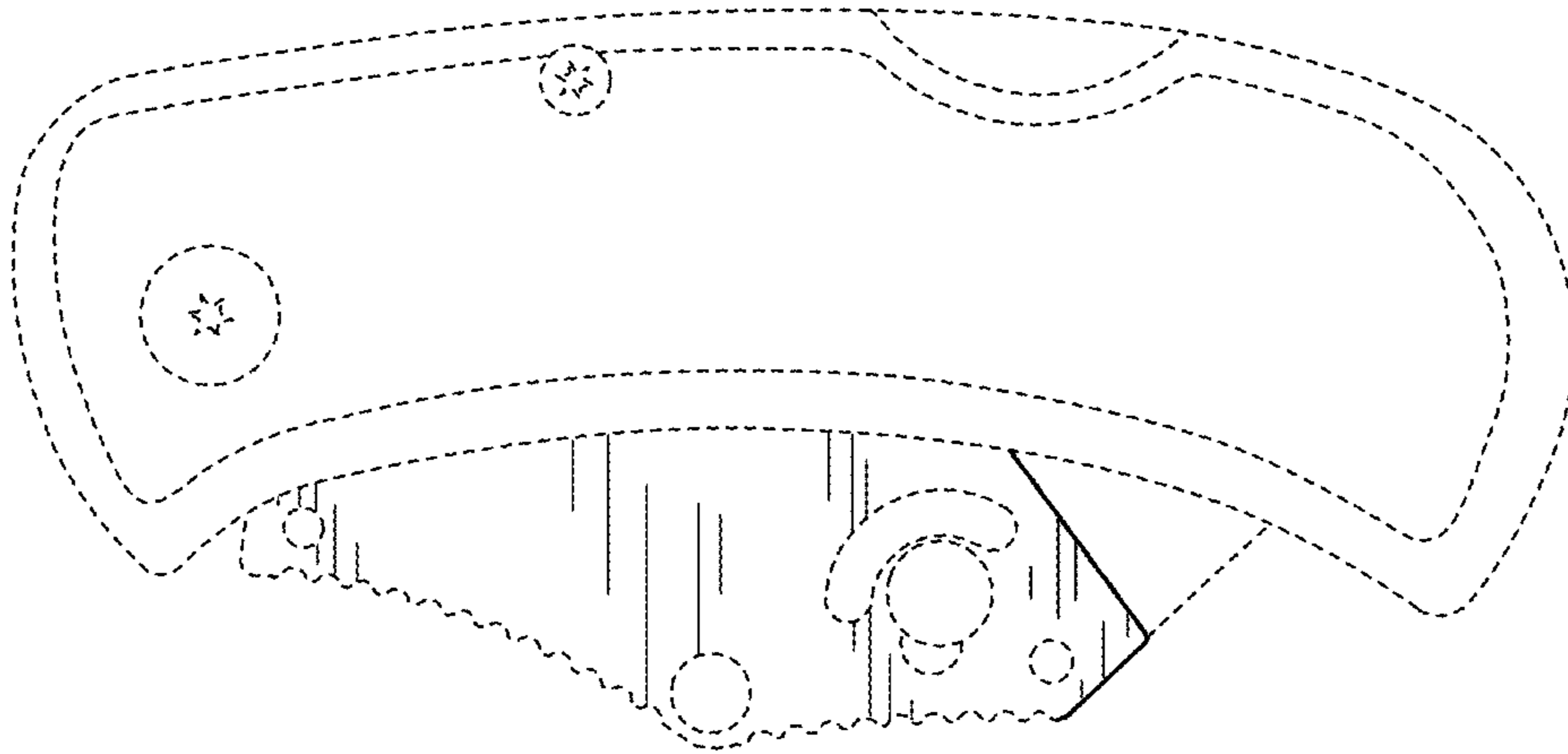


FIG.9

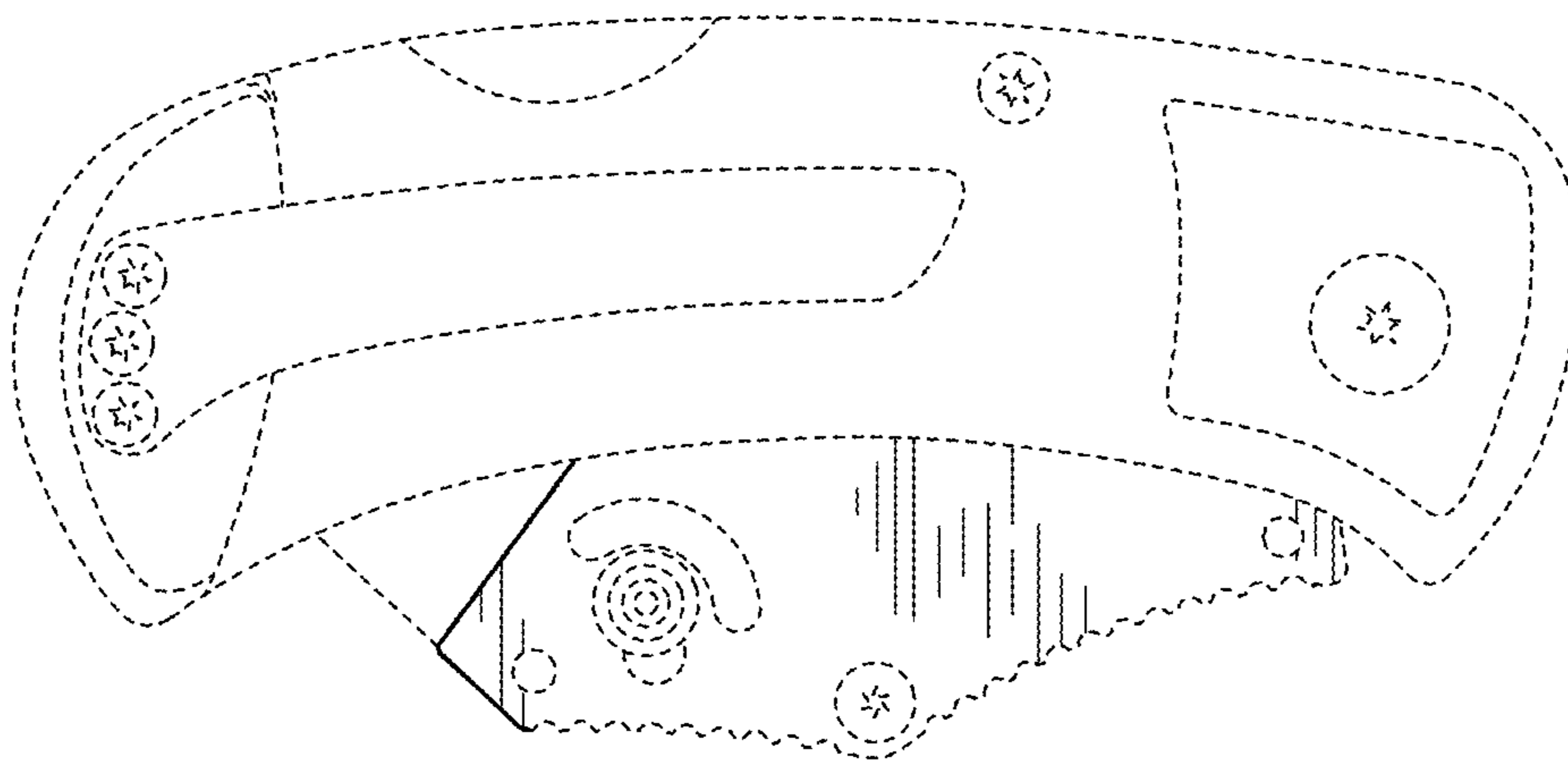


FIG.10

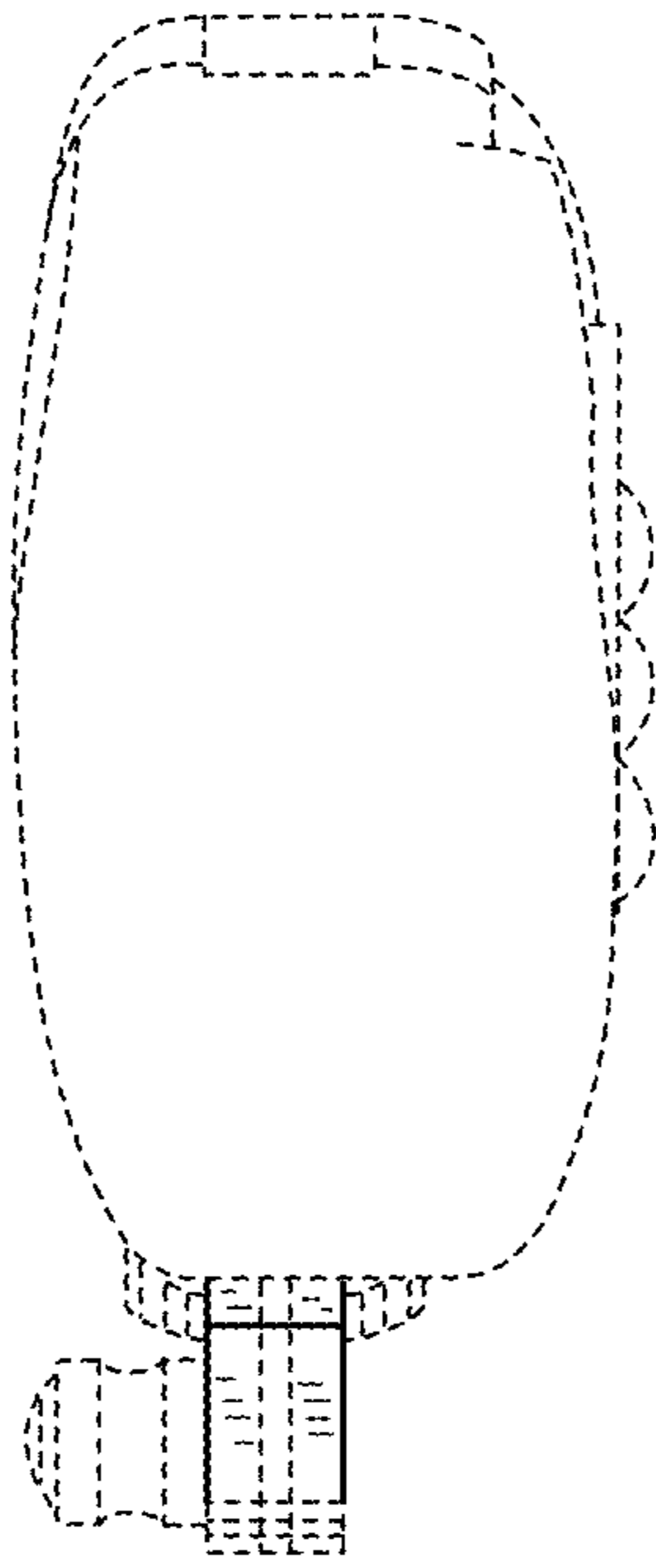


FIG. 11

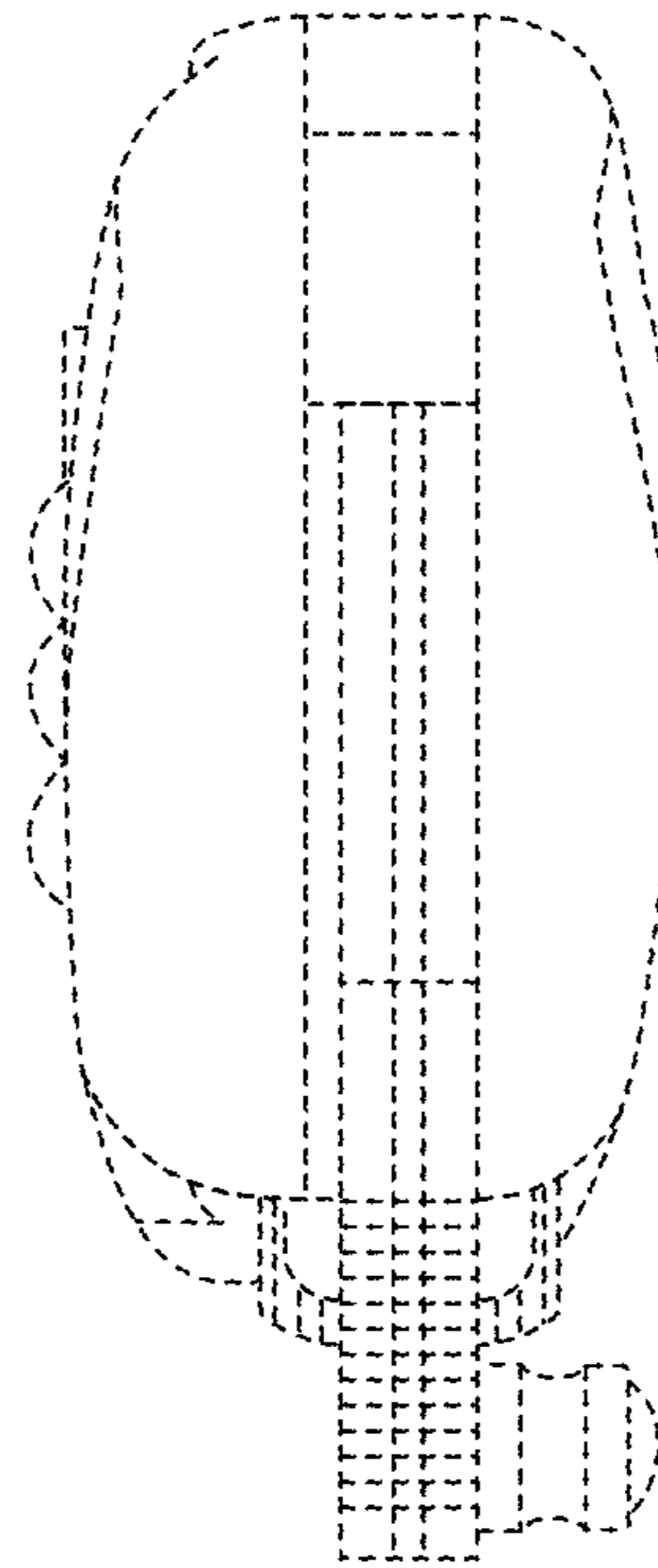


FIG. 12

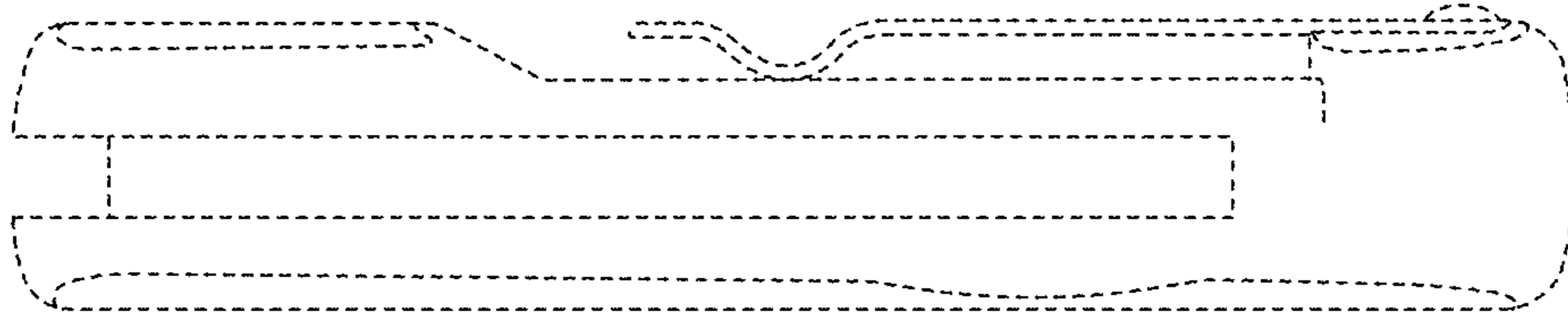


FIG. 13

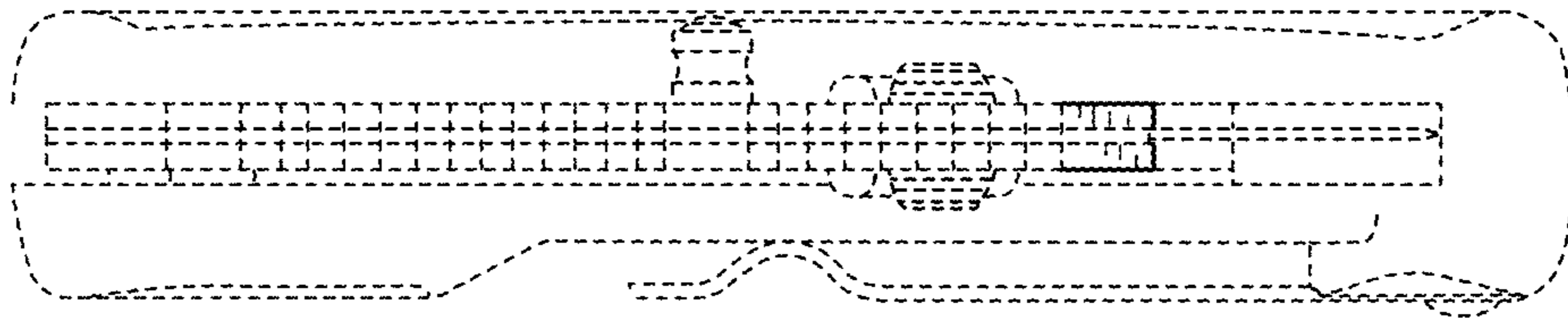


FIG. 14

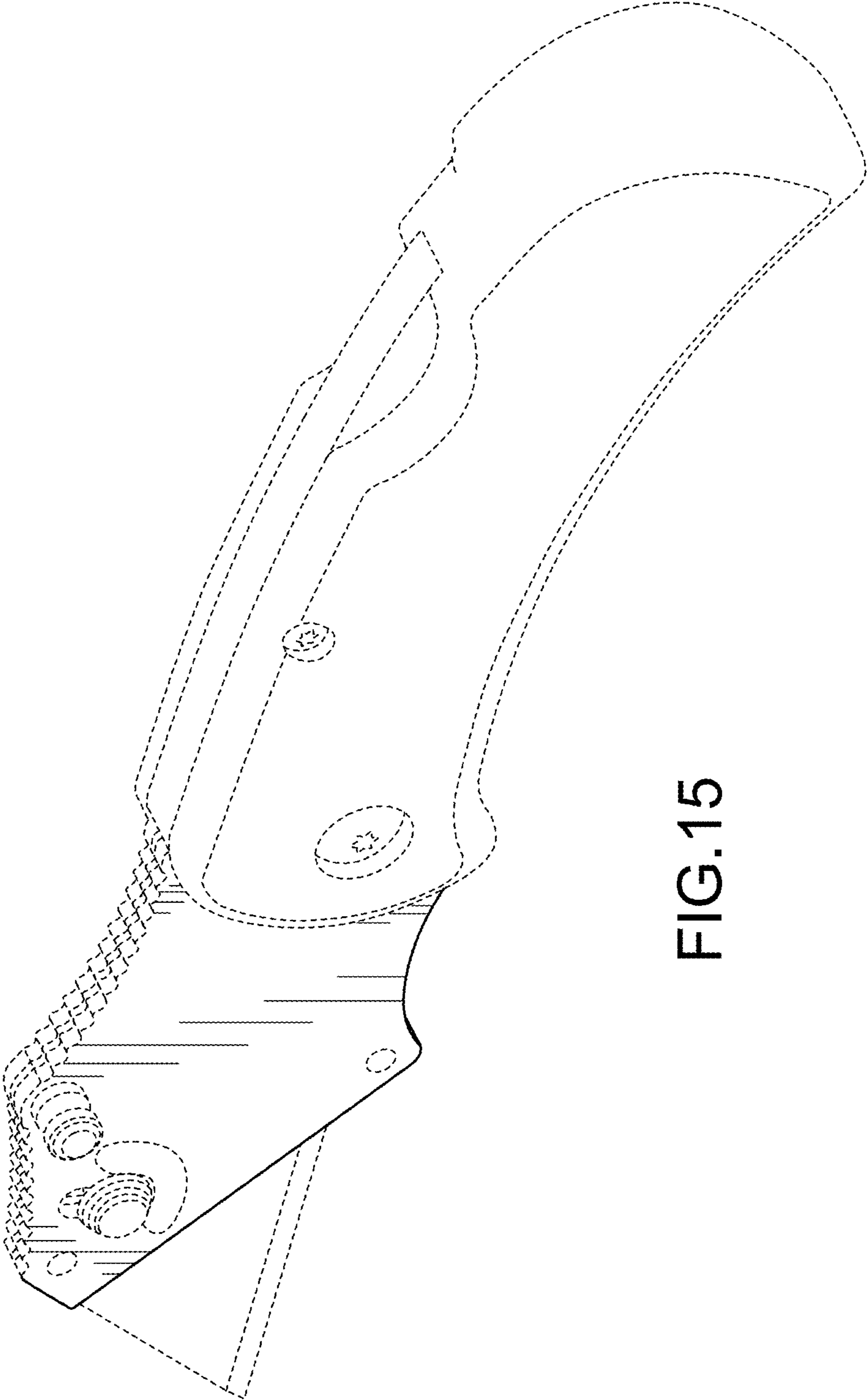


FIG.15

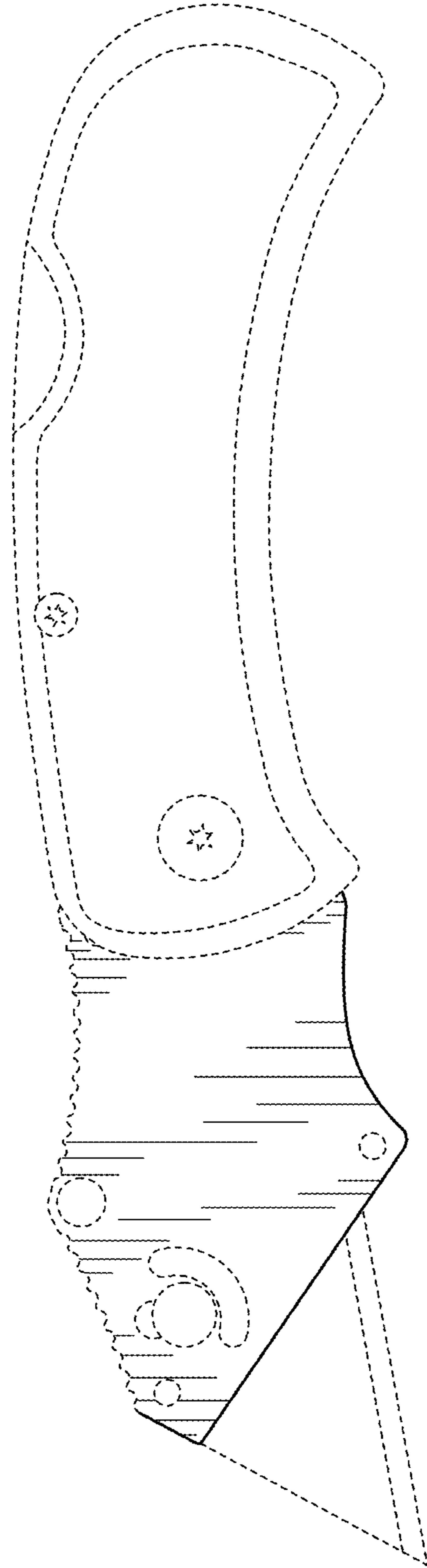


FIG.16

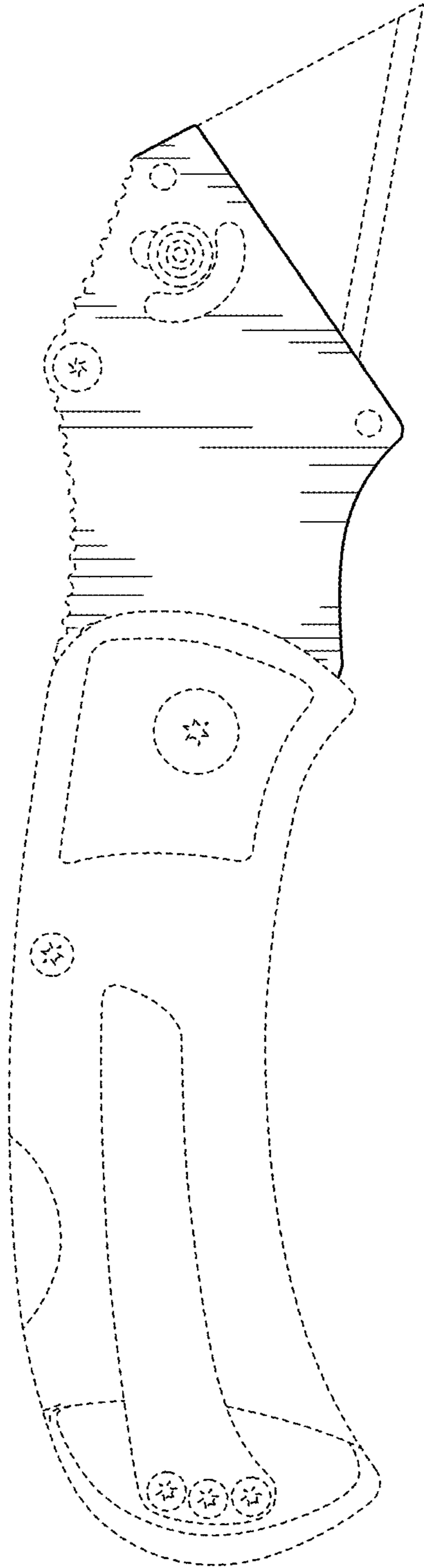


FIG.17

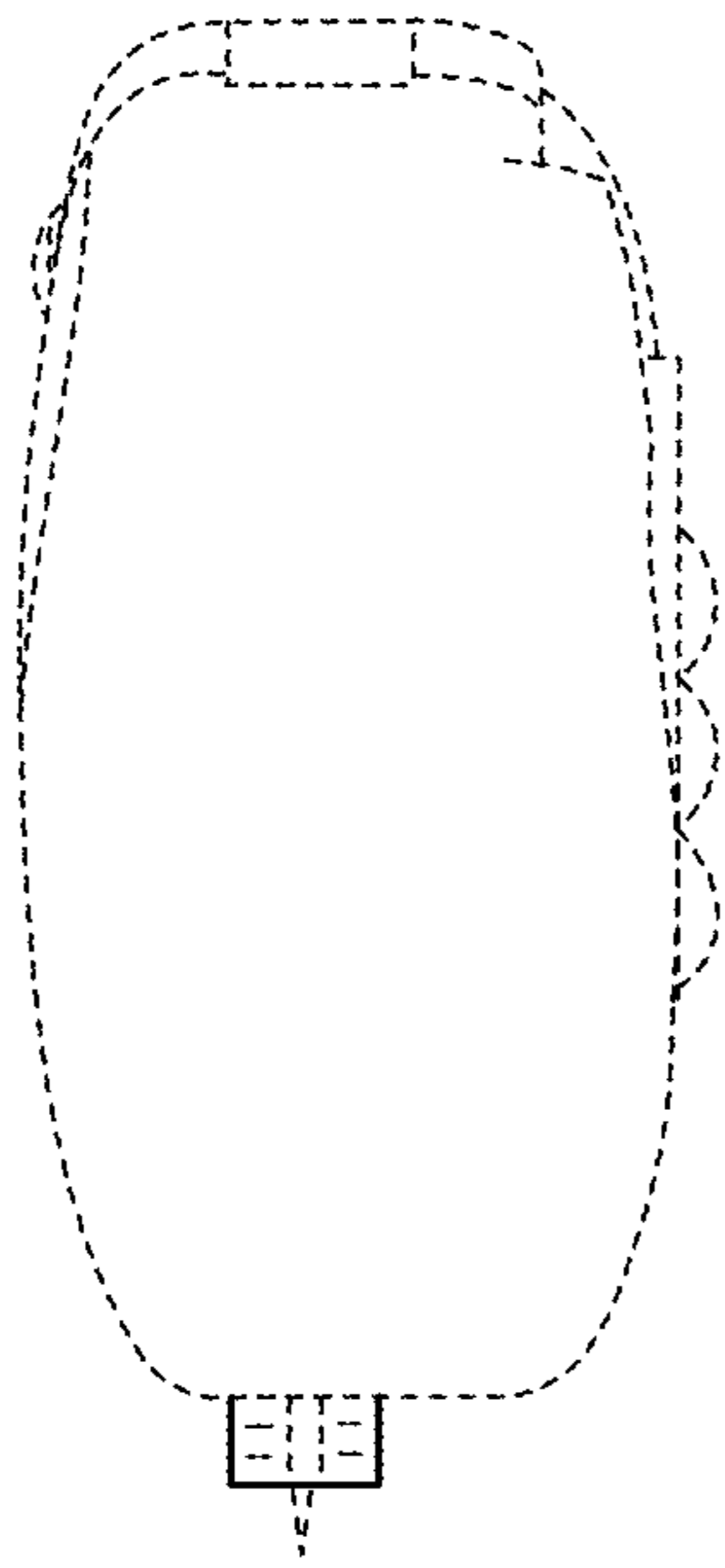


FIG.18

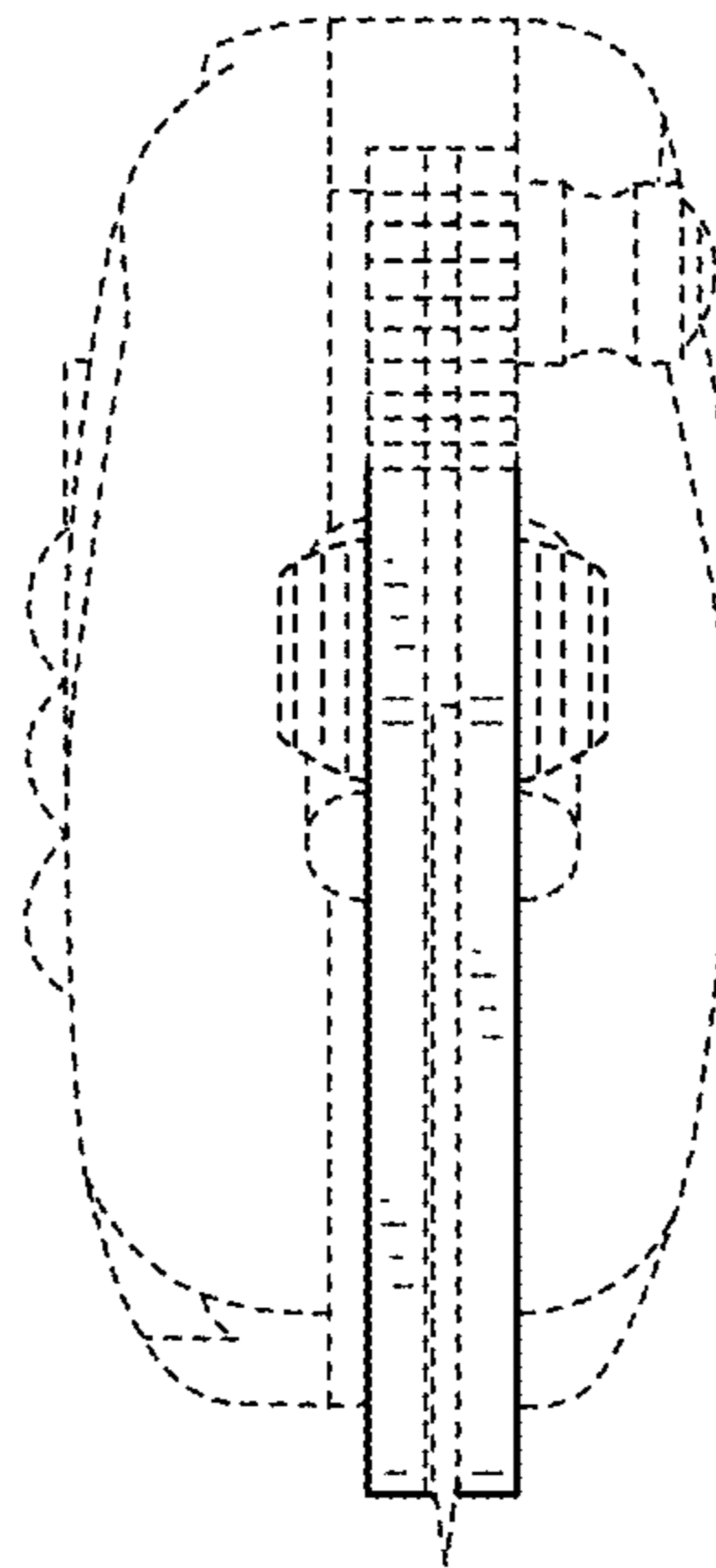


FIG.19

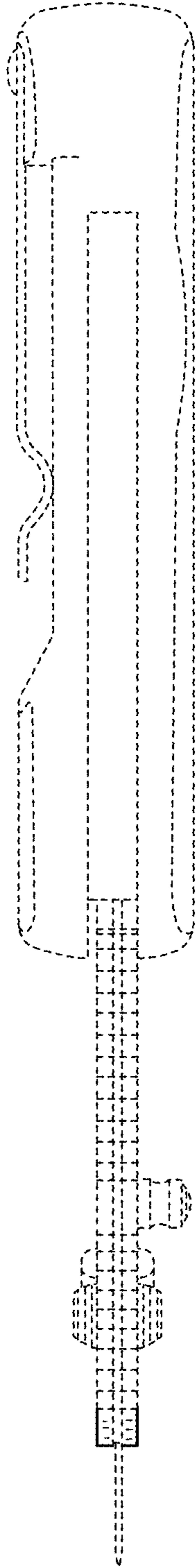


FIG. 20

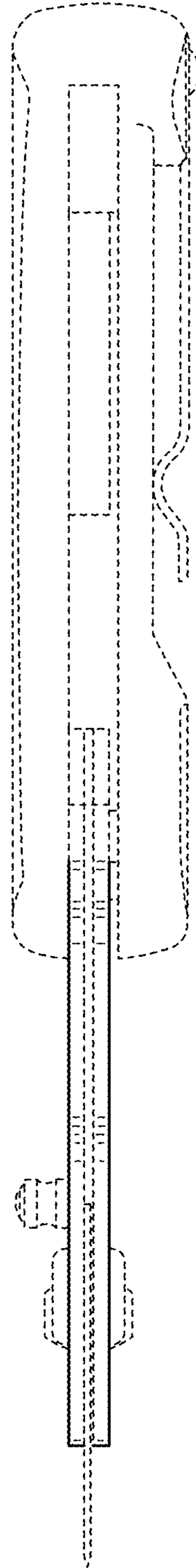


FIG. 21