



US00D909169S

(12) **United States Design Patent** (10) **Patent No.:** **US D909,169 S**  
**Huang** (45) **Date of Patent:** **\*\* Feb. 2, 2021**

(54) **KNIFE GRINDER**  
(71) Applicant: **JIANGYIN DIAMOND TOOLS CO., LTD.**, Jiangsu (CN)  
(72) Inventor: **Dongchen Huang**, Jiangsu (CN)  
(\*\*) Term: **15 Years**  
(21) Appl. No.: **29/743,766**  
(22) Filed: **Jul. 24, 2020**  
(51) **LOC (13) Cl.** ..... **08-05**  
(52) **U.S. Cl.**  
USPC ..... **D8/93**  
(58) **Field of Classification Search**  
USPC ..... D8/63, 90, 91, 92, 93; D15/139  
CPC .... B24B 3/00; B24B 3/36; B24B 3/54; B24B 3/58; B24B 3/065; B24B 15/00; B24B 15/06; B24B 15/08; B24B 15/063; B24B 15/065; B24B 15/081; B24B 23/08  
See application file for complete search history.

D629,273 S \* 12/2010 Friel, Sr. .... D8/93  
D652,284 S 1/2012 Elek  
D665,647 S 8/2012 Friel  
D669,755 S \* 10/2012 Huber ..... D8/93  
D673,439 S 1/2013 Wu  
D673,833 S \* 1/2013 Kay ..... D8/93  
D680,399 S \* 4/2013 Elek ..... D8/63  
D680,845 S 4/2013 Smith  
D680,846 S \* 4/2013 Smith ..... D8/93  
D838,158 S 1/2019 Wu  
D894,710 S \* 9/2020 Li ..... D8/93  
2008/0171504 A1\* 7/2008 Smith ..... B24D 15/081  
451/540  
2011/0201257 A1\* 8/2011 Walker ..... B24B 3/54  
451/45

\* cited by examiner

*Primary Examiner* — Patricia A Palasik

(74) *Attorney, Agent, or Firm* — Rumit Kanakia

(57) **CLAIM**

The ornamental design for a knife grinder, as shown and described.

**DESCRIPTION**

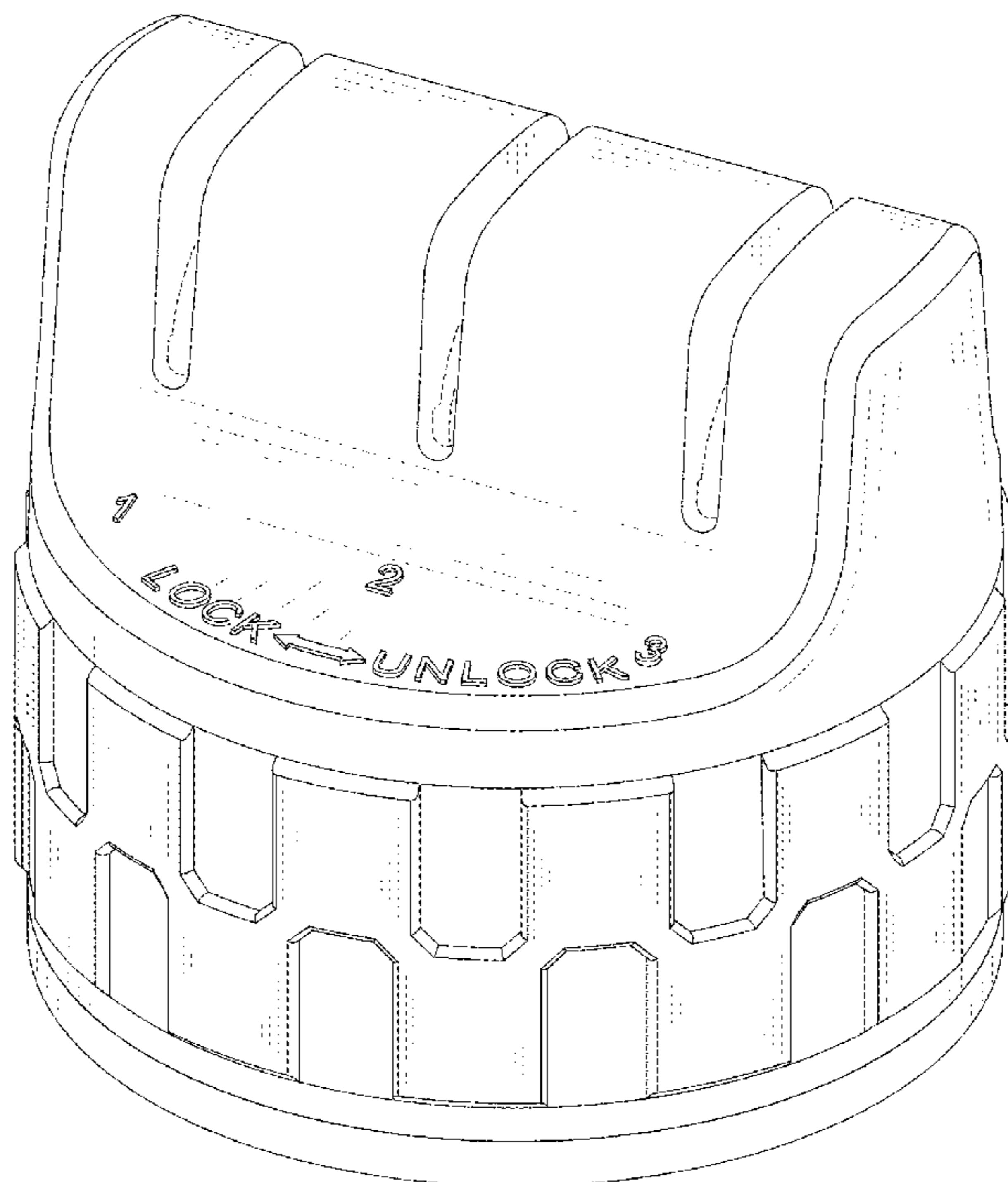
FIG. 1 is perspective view thereof of a knife grinder showing my new design;  
FIG. 2 a front elevational view;  
FIG. 3 a rear elevational view thereof;  
FIG. 4 a left side view thereof;  
FIG. 5 is a right side view thereof;  
FIG. 6 is a top plan view thereof; and,  
FIG. 7 is a bottom plan view thereof.  
The broken lines illustrate portions of the knife grinder which form no part of the claimed design.

**1 Claim, 7 Drawing Sheets**

(56) **References Cited**

U.S. PATENT DOCUMENTS

D162,394 S \* 3/1951 Estfan ..... D8/63  
D276,886 S \* 12/1984 Carter ..... D8/91  
D323,450 S \* 12/1984 Shimizu ..... D8/93  
D328,410 S \* 8/1992 Friel ..... D8/63  
D342,003 S \* 12/1993 Friel ..... D8/63  
D363,867 S \* 11/1995 Harrison ..... D8/63  
D375,241 S \* 11/1996 Pigott ..... D8/93  
D525,509 S \* 7/2006 Weschenfelder ..... D8/91  
D569,703 S 5/2008 Wu  
D587,550 S \* 3/2009 Smith ..... D8/91  
D604,134 S \* 11/2009 Smith ..... D8/63  
D614,932 S 5/2010 deBretton Gordon



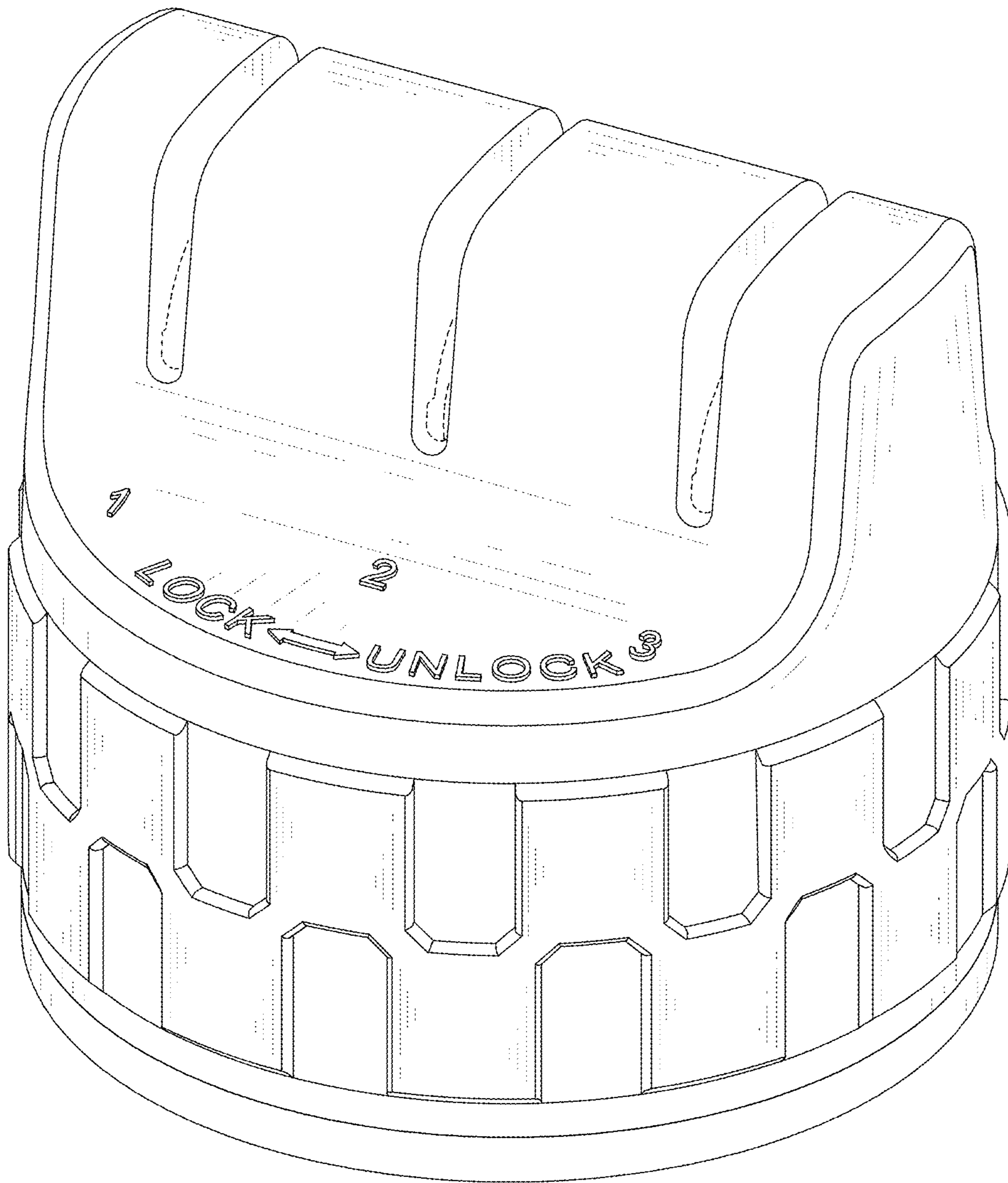


FIG.1

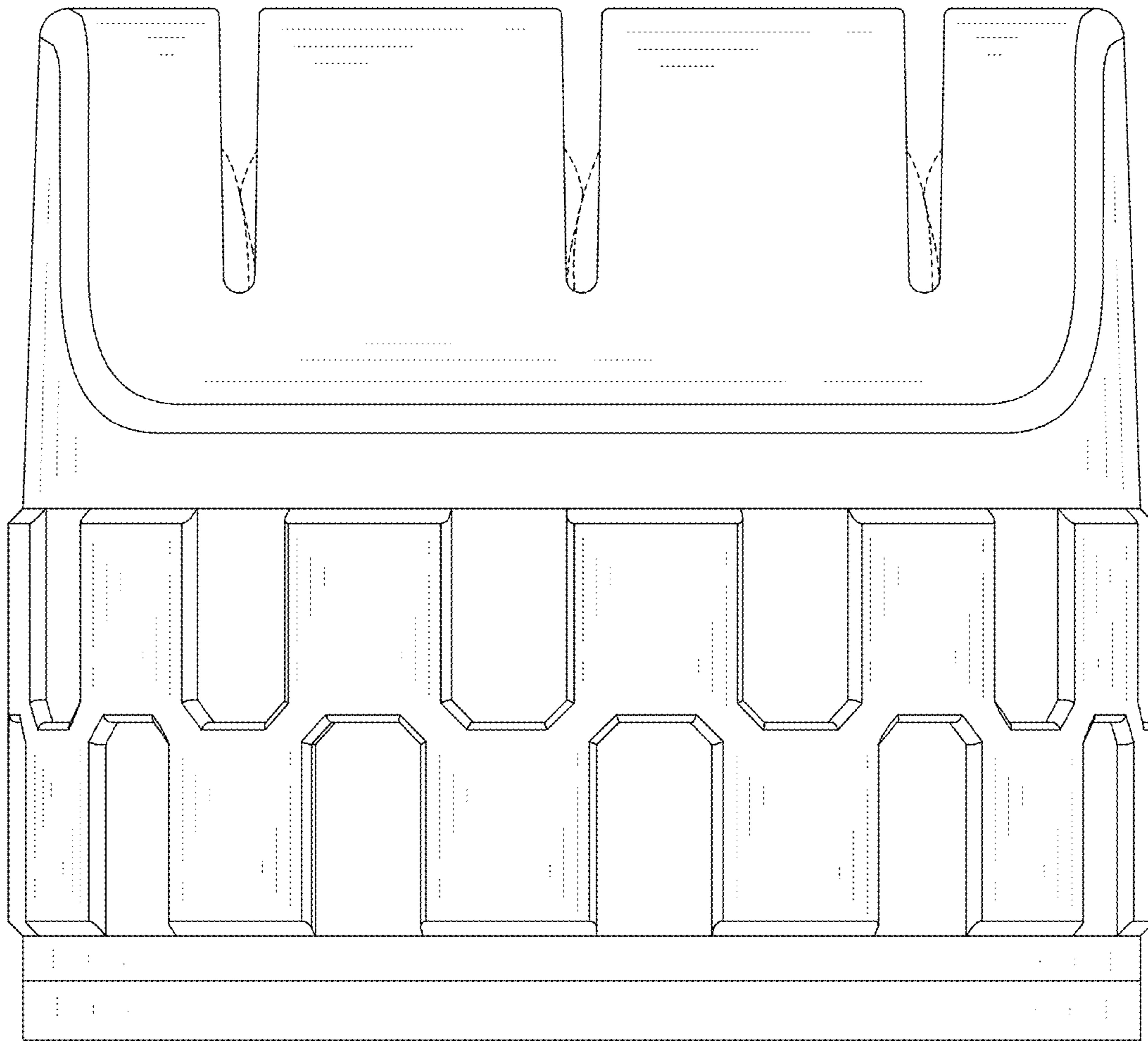


FIG.2

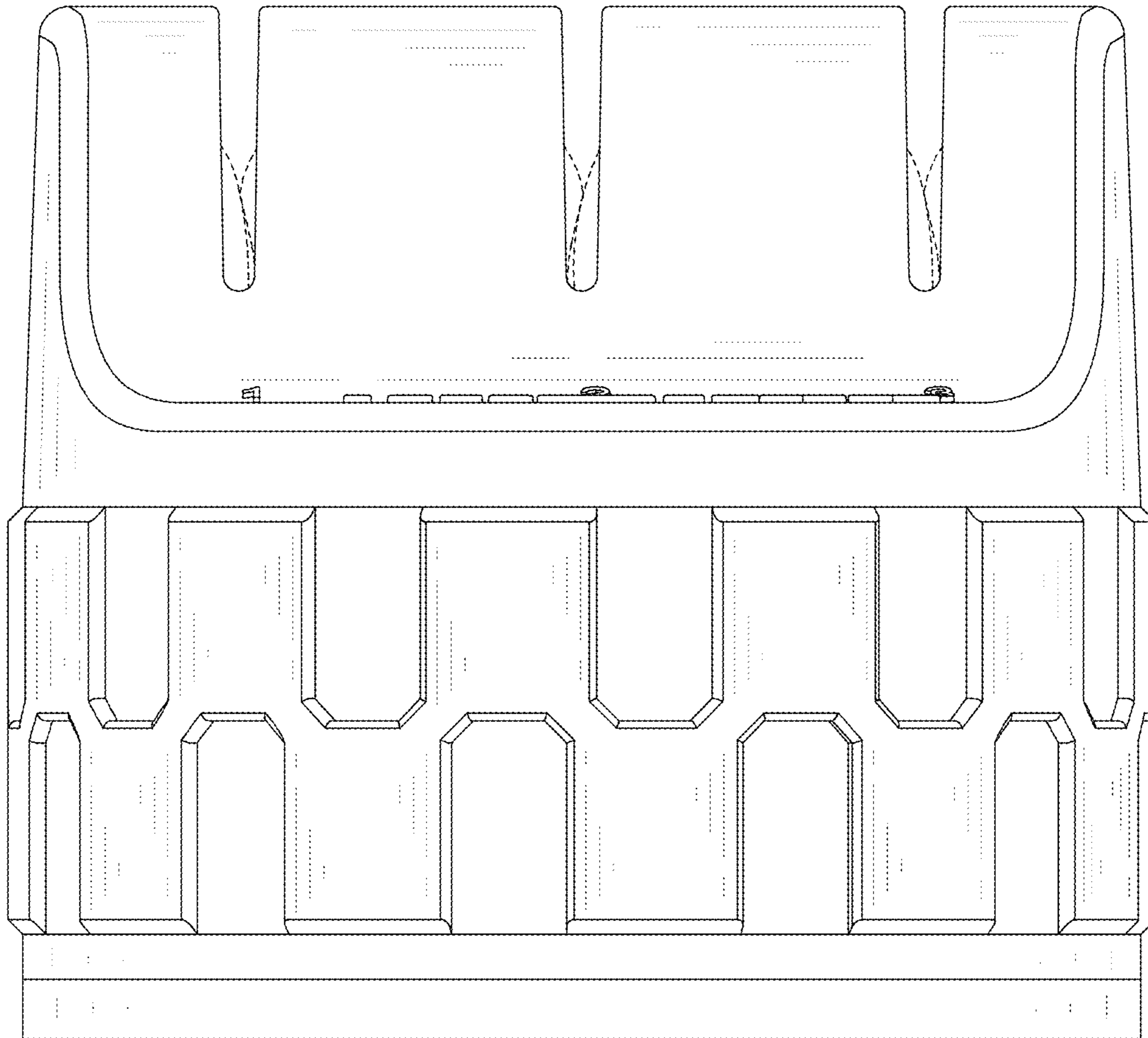


FIG. 3

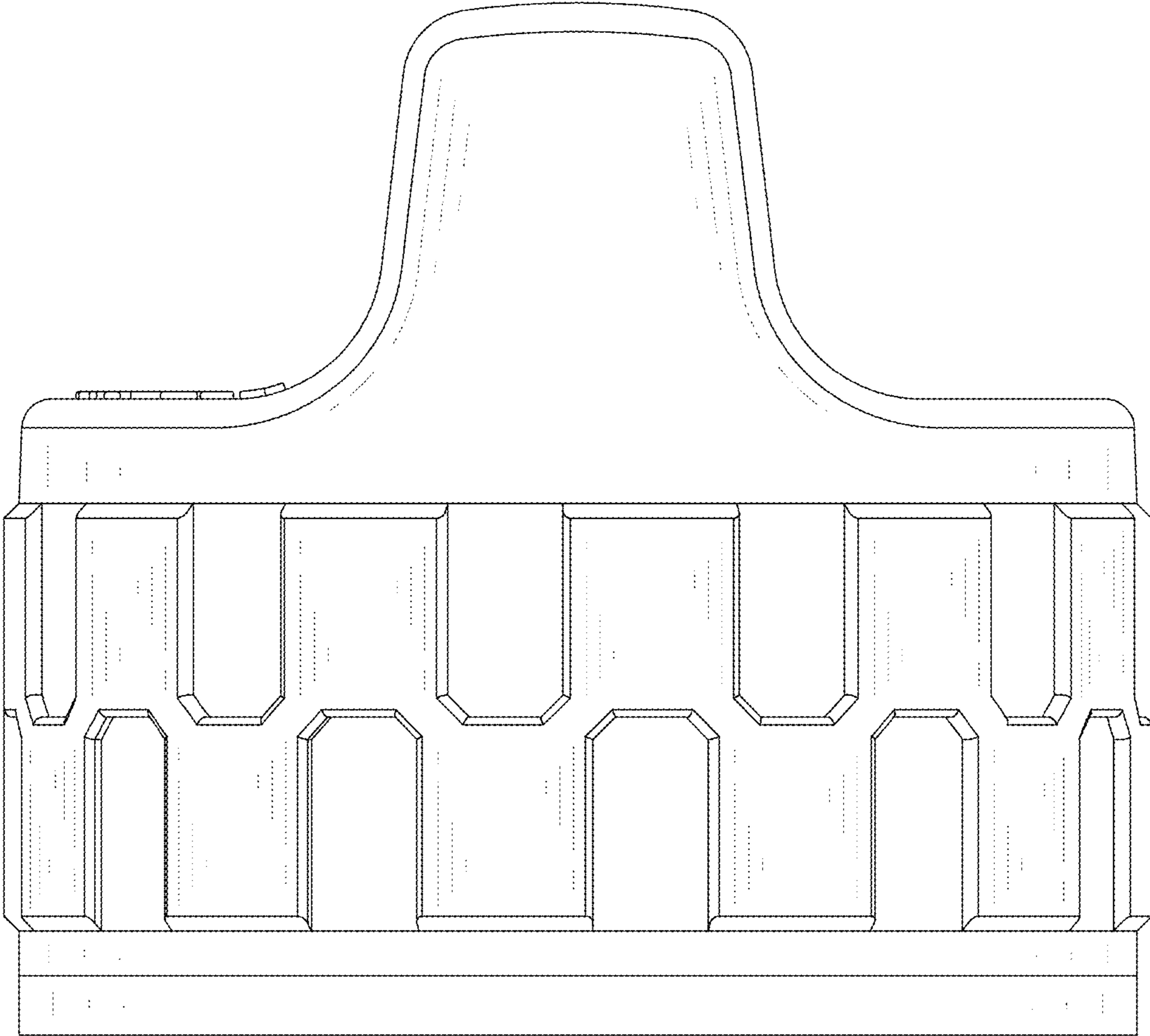


FIG. 4

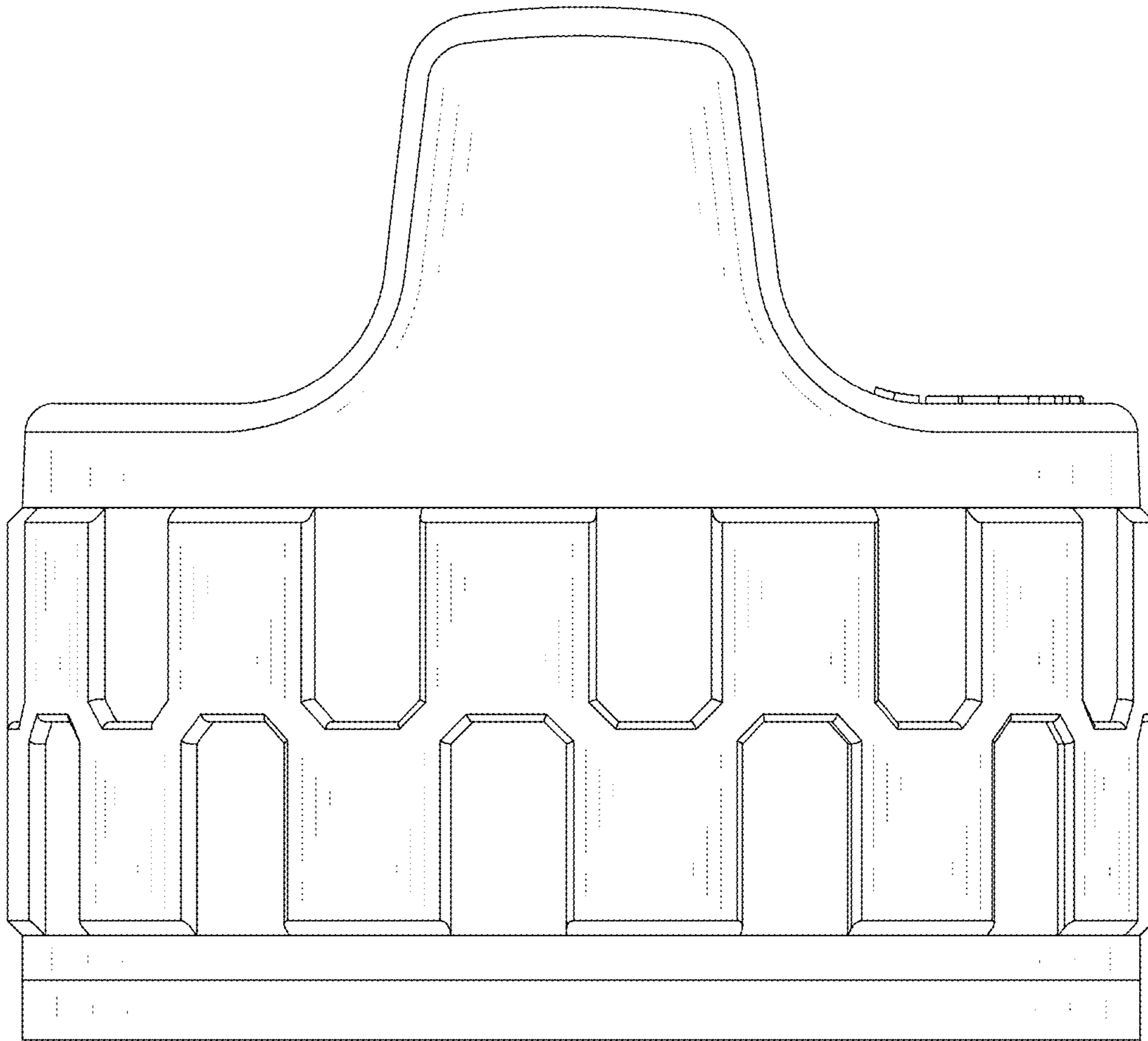


FIG.5

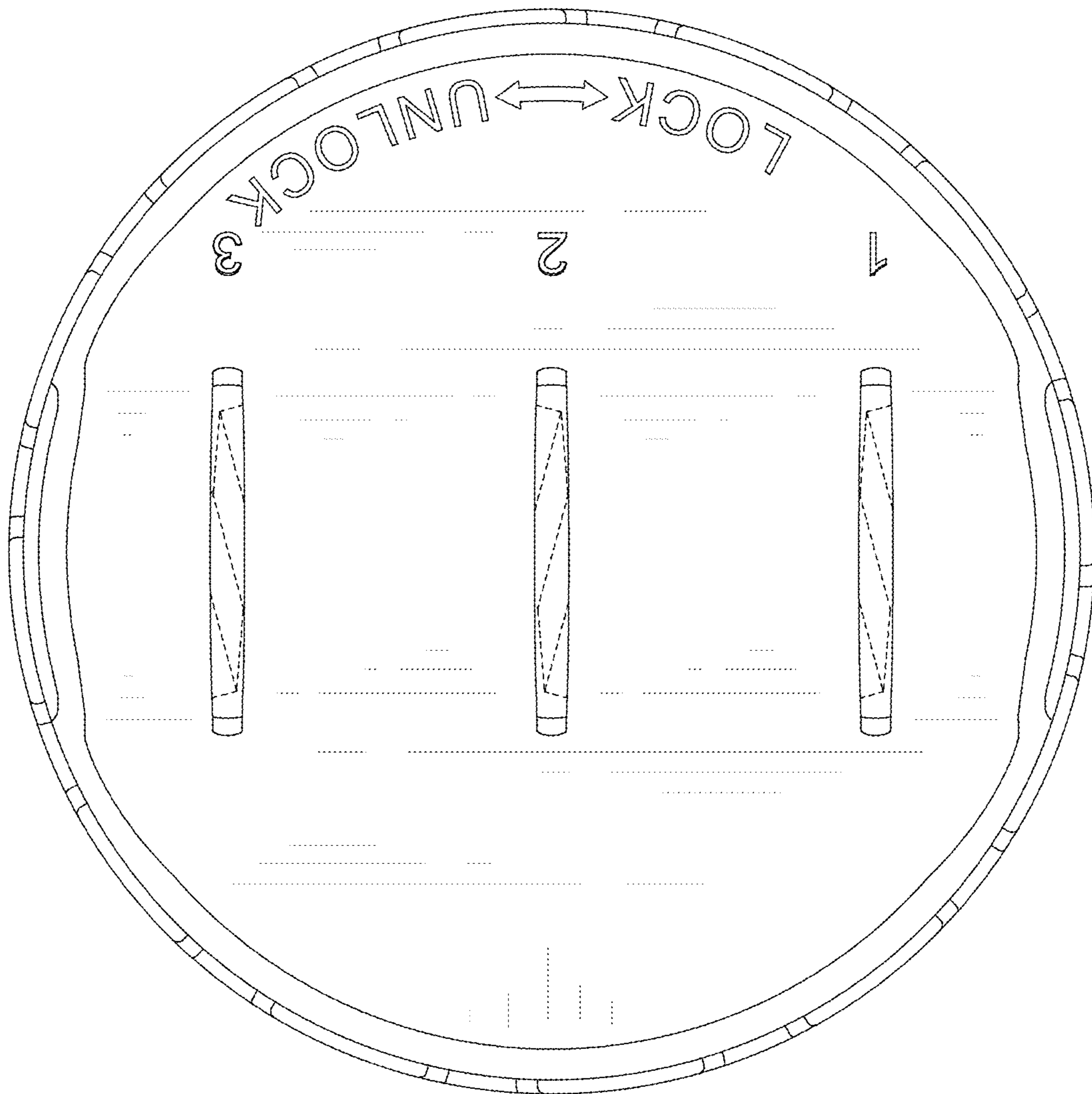


FIG. 6

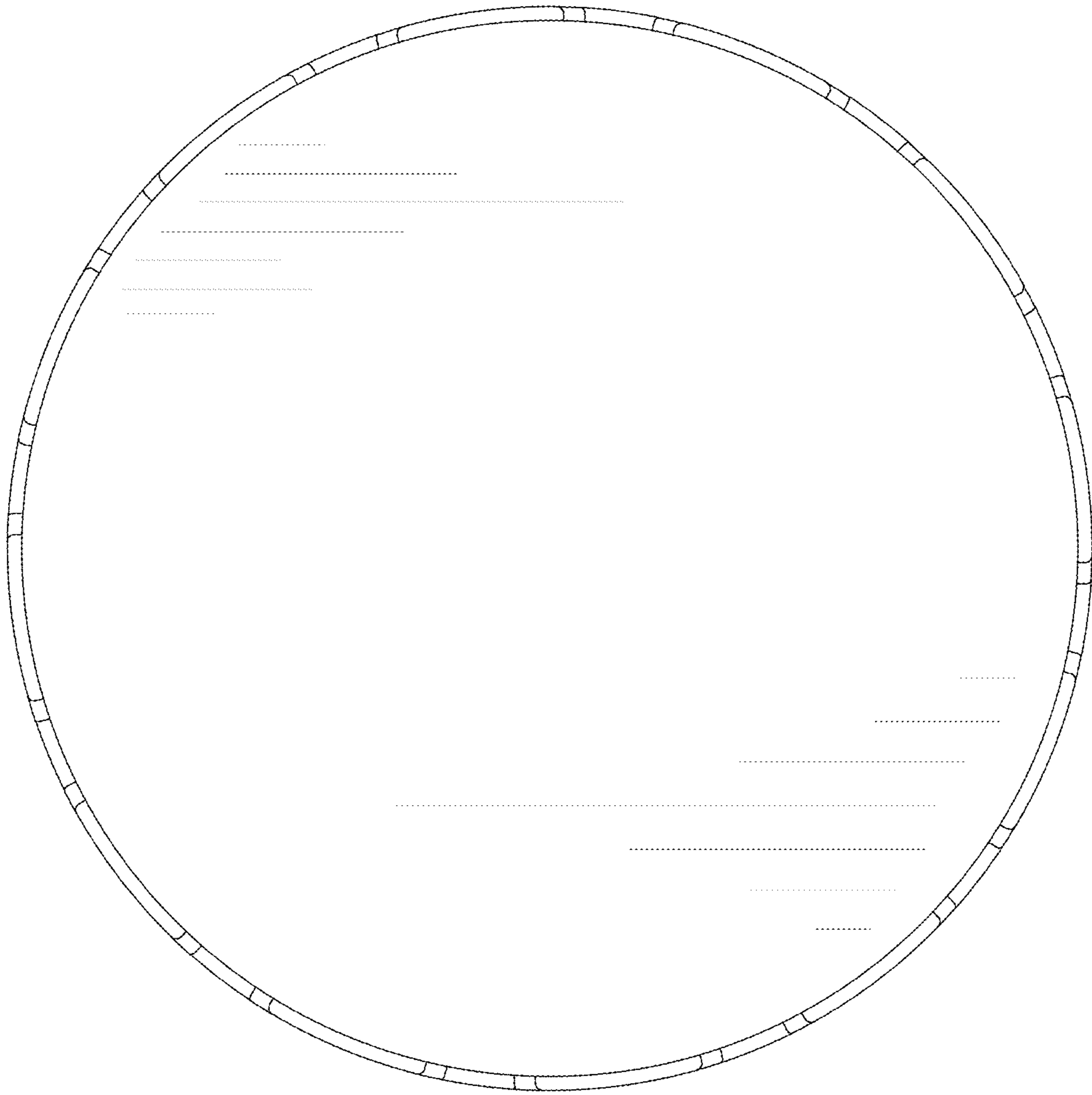


FIG. 7