



US00D909166S

(12) **United States Design Patent** (10) **Patent No.:** **US D909,166 S**  
**Alva** (45) **Date of Patent:** **\*\* Feb. 2, 2021**

(54) **HOOK AND CLAMP DEVICE**

(71) Applicant: **Luis Alfonso Alva**, Corpus Christi, TX (US)

(72) Inventor: **Luis Alfonso Alva**, Corpus Christi, TX (US)

(\*\*) Term: **15 Years**

(21) Appl. No.: **29/693,769**

(22) Filed: **Jun. 5, 2019**

(51) **LOC (13) Cl.** ..... **08-05**

(52) **U.S. Cl.**  
USPC ..... **D8/73**

(58) **Field of Classification Search**  
USPC ..... D8/71-74, 394-399, 59; 248/63, 72, 248/74.1, 689, 124.2; 81/487, 385, 386, 81/388-390; 269/3, 4, 6, 143, 165, 240, 269/243, 246-249, 254 R, 147-149; 29/256, 257, 276; 408/103, 104-109  
CPC ..... B25B 1/00; B25B 5/00  
See application file for complete search history.

(56) **References Cited**

**U.S. PATENT DOCUMENTS**

- 2,914,829 A 4/1957 Willemain
- 3,997,152 A \* 12/1976 Sass ..... B25B 5/00  
269/249
- 4,074,899 A 2/1978 Hochstetler
- 4,083,624 A \* 4/1978 Timmer ..... H01R 11/26  
269/249
- 4,106,508 A 8/1978 Berlin
- 4,582,307 A \* 4/1986 Wang ..... B25B 5/101  
269/182
- D348,816 S \* 7/1994 Degen ..... D8/73
- D358,538 S \* 5/1995 Cote ..... D8/73
- D375,239 S \* 11/1996 Hall ..... D8/73
- 5,893,553 A \* 4/1999 Pinkous ..... B25B 5/101  
269/143
- D413,429 S \* 9/1999 Carson ..... D3/10

- D480,617 S \* 10/2003 Varzino ..... D8/73
- D489,241 S \* 5/2004 Parham ..... D8/73
- 7,669,840 B2 3/2010 Xu
- 8,727,291 B2 \* 5/2014 Scoggins ..... H02S 20/00  
248/226.11

(Continued)

**FOREIGN PATENT DOCUMENTS**

- CA 2693576 1/2009
- DE 10297105 B4 7/2011
- EP 0448179 B1 1/1996

*Primary Examiner* — David G Muller

(74) *Attorney, Agent, or Firm* — M. Susan Spiering; Ochoa & Associates, P.C.

(57) **CLAIM**

The ornamental design for a hook and clamp device, as shown and described.

**DESCRIPTION**

A portion of the disclosure of this patent document contains material to which a claim for copyright is made. The copyright owner has no objection to the facsimile reproduction by anyone of the patent document or the patent disclosure as it appears in the Patent and Trademark Office patent file or records, but reserves all other copyright rights whatsoever.

FIG. 1 is a perspective view of the hook and clamp device; FIG. 2 is a right side elevational view of the hook and clamp device;

FIG. 3 is a left side elevational view, and mirror image of FIG. 2, of the hook and clamp device;

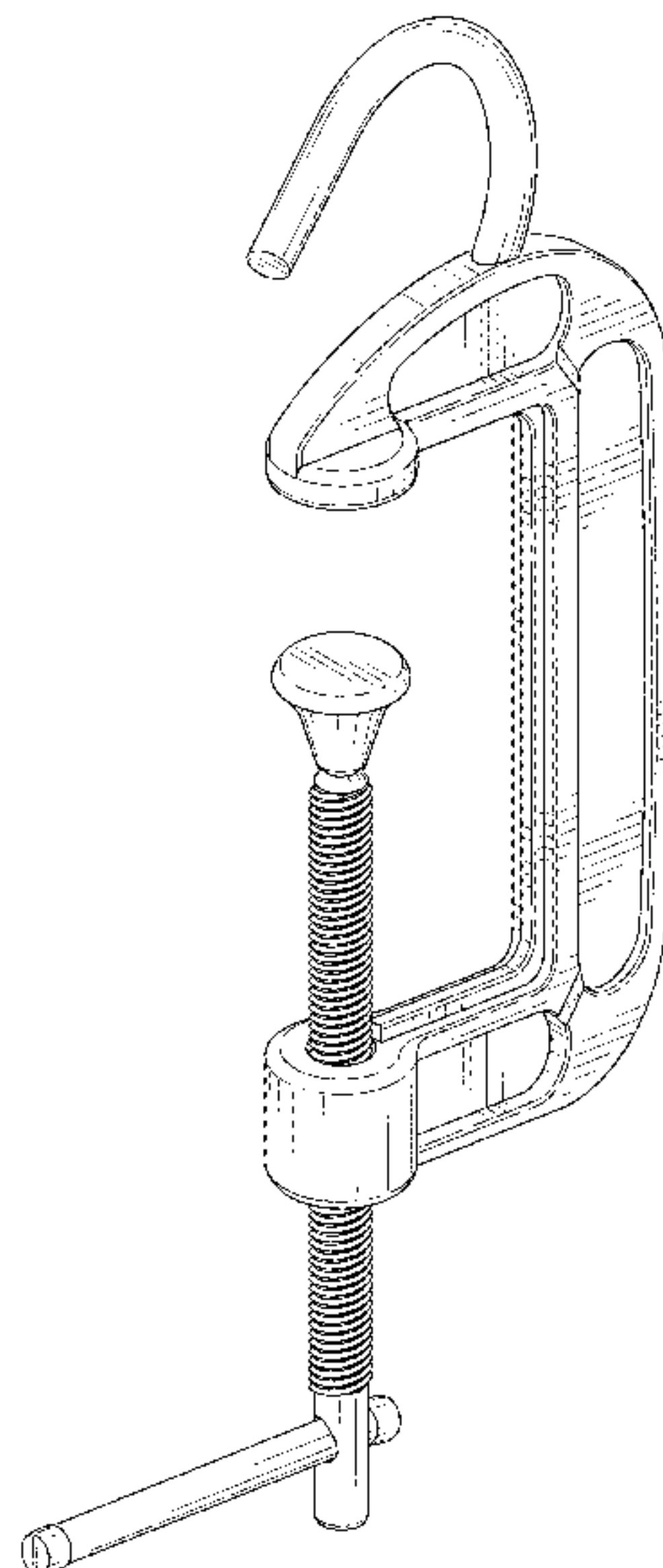
FIG. 4 is a front side view of the hook and clamp device;

FIG. 5 is a rear side view of the hook and clamp device;

FIG. 6 is a top plan view of the hook and clamp device; and,

FIG. 7 is a bottom plan view of the hook and clamp device.

**1 Claim, 5 Drawing Sheets**



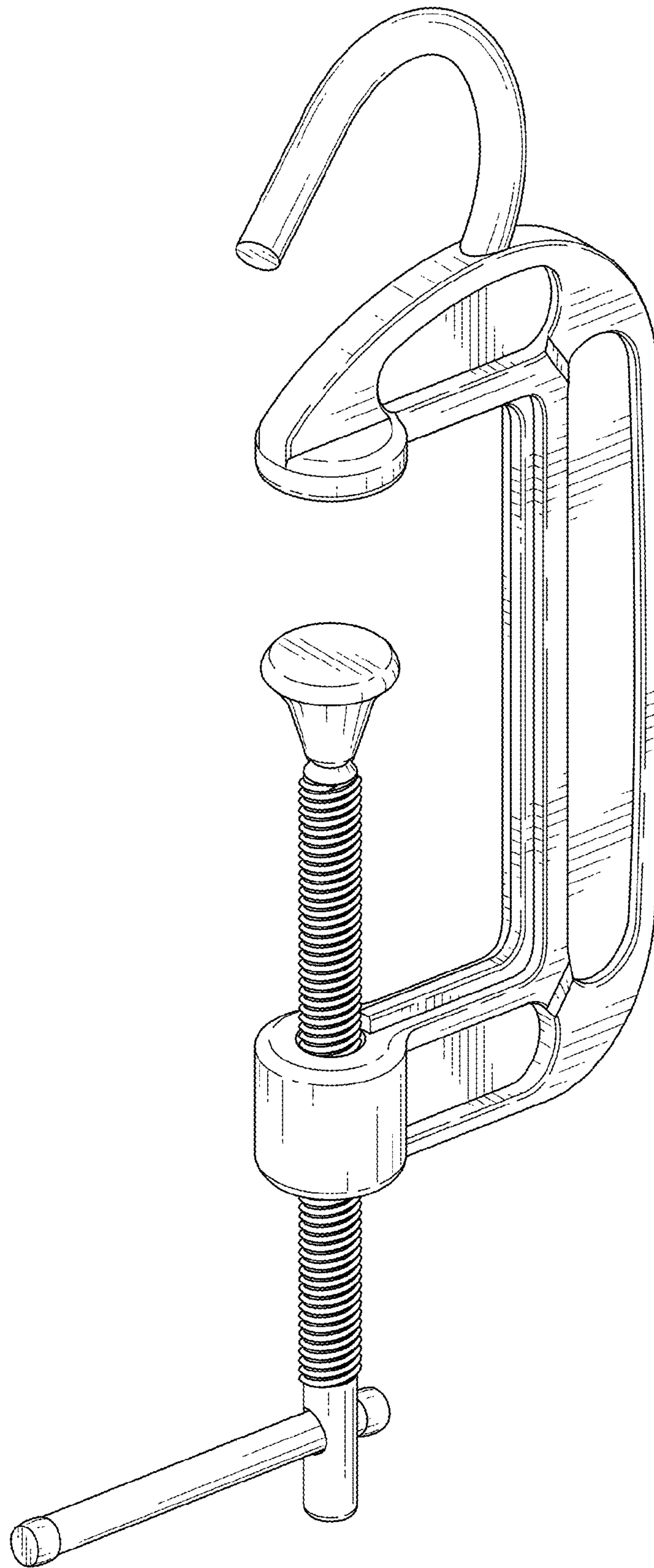
(56)

**References Cited**

U.S. PATENT DOCUMENTS

D719,001 S \* 12/2014 Robinson ..... D8/73  
D881,684 S \* 4/2020 Yoshikawa ..... D8/395  
2010/0108442 A1 5/2010 Ballantyne

\* cited by examiner



**FIG. 1**

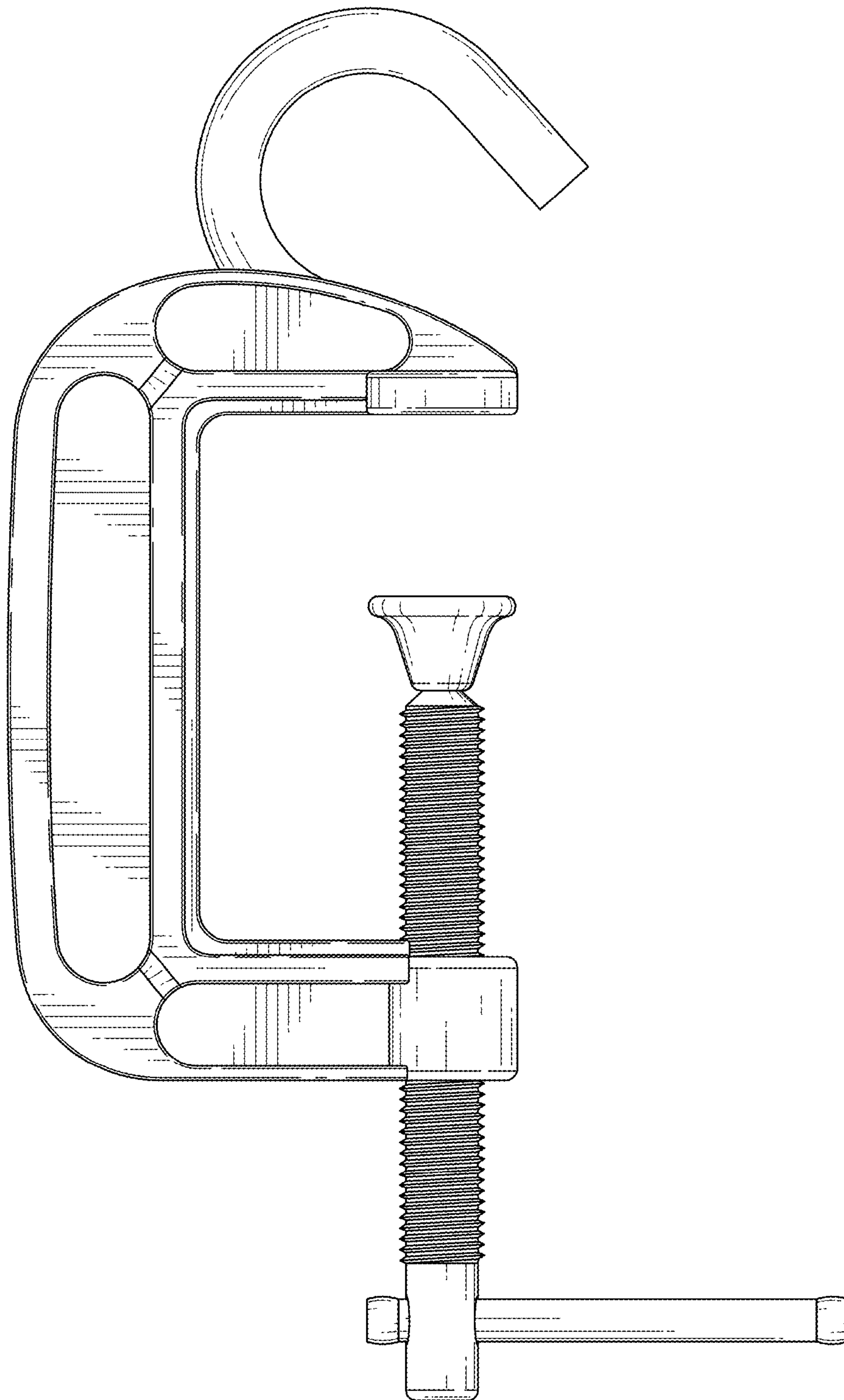


FIG. 2

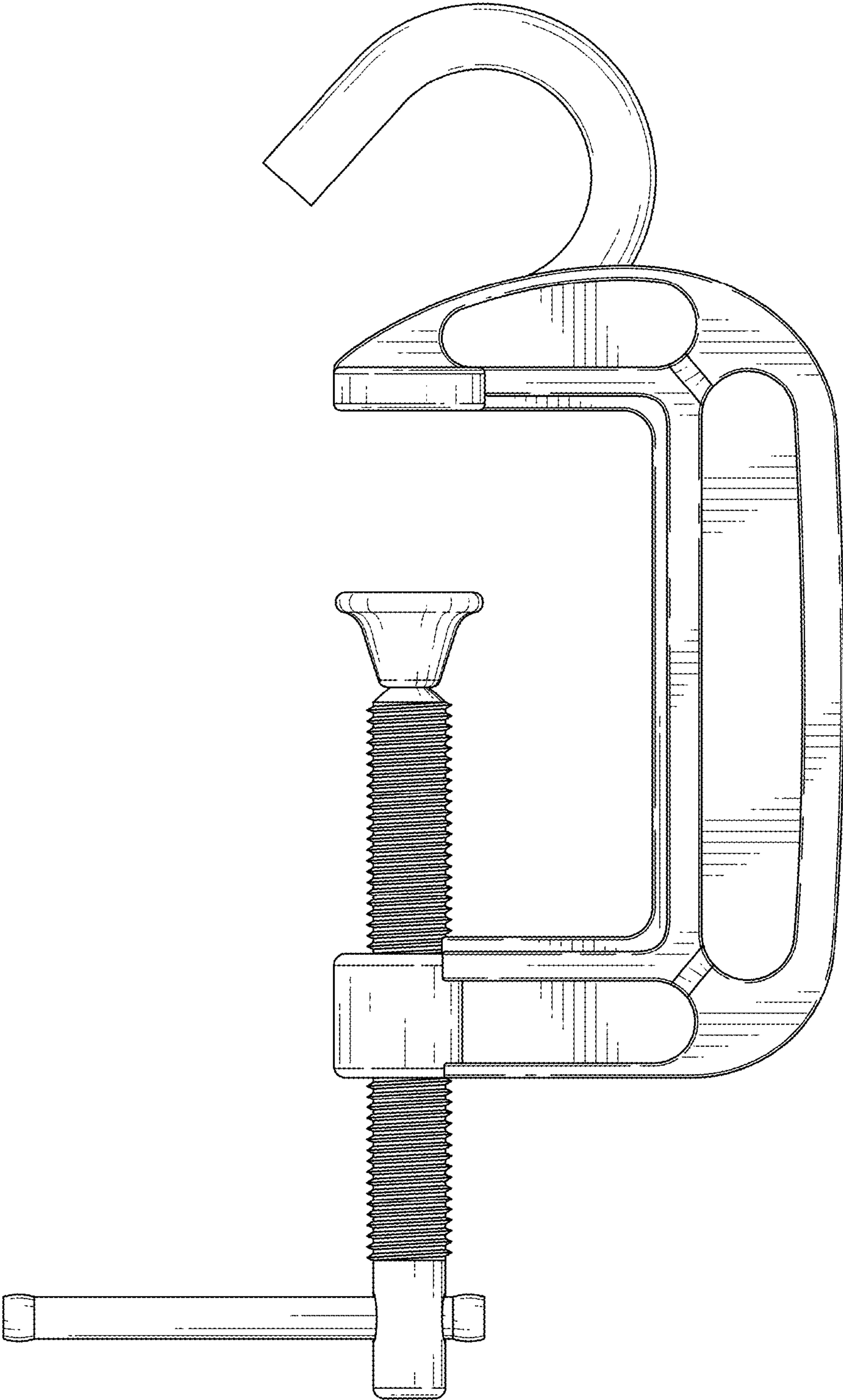
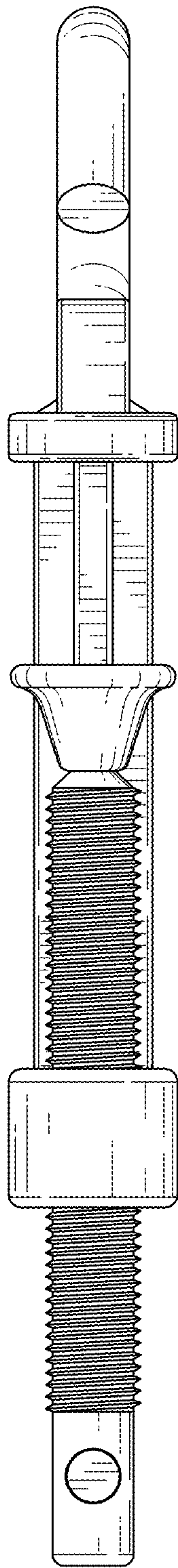
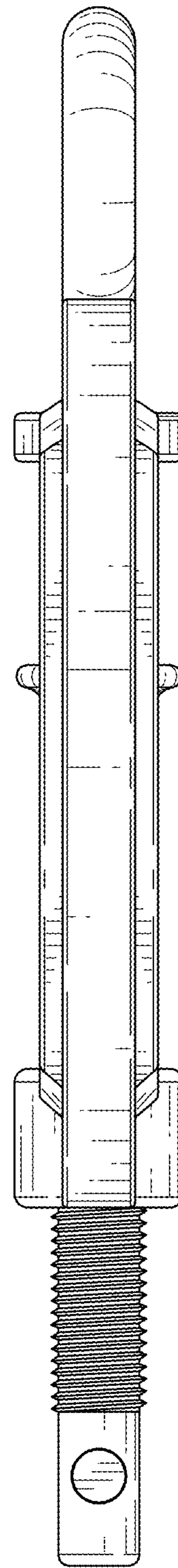


FIG. 3

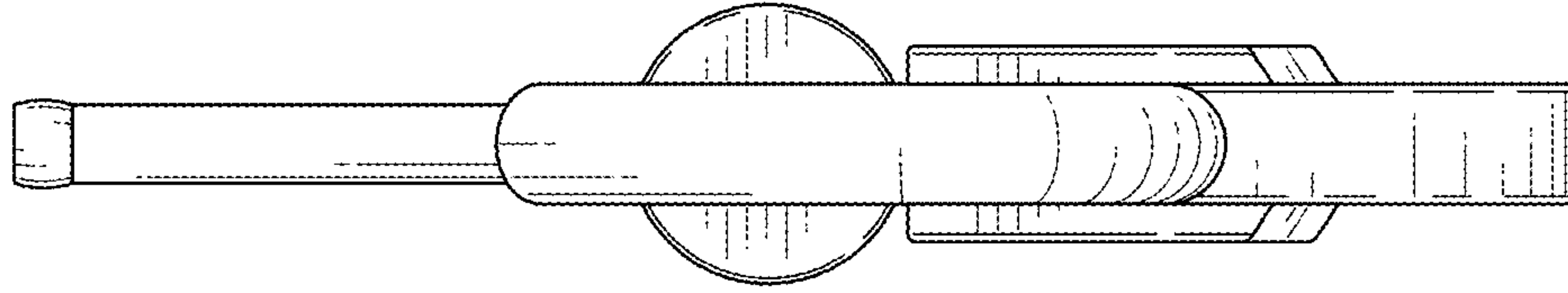




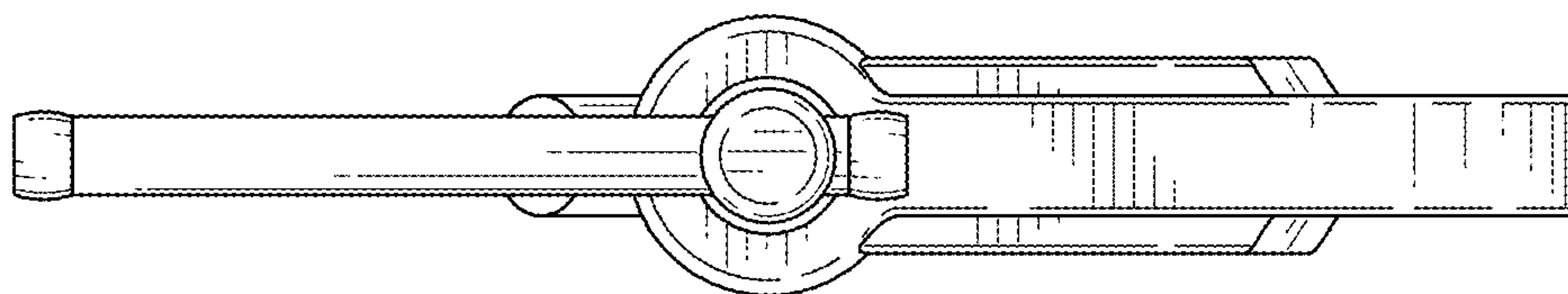
**FIG. 4**



**FIG. 5**



**FIG. 6**



**FIG. 7**