



US00D909165S

(12) **United States Design Patent** (10) **Patent No.:** **US D909,165 S**
Geyer et al. (45) **Date of Patent:** **** Feb. 2, 2021**

(54) **ADAPTER BLOCK**
(71) Applicant: **Kennametal Inc.**, Latrobe, PA (US)
(72) Inventors: **James R. Geyer**, Bedford, PA (US);
Eric P. Helsel, Bedford, PA (US);
Brian K. Lavelly, Bedford, PA (US)

D692,040 S 10/2013 Buhr et al.
8,783,785 B2 * 7/2014 Lehnert E21C 35/183
299/105
8,960,810 B2 2/2015 Fader
9,151,157 B2 10/2015 Lehnert et al.
9,212,554 B2 12/2015 Roetsch et al.
9,228,434 B2 1/2016 Lehnert et al.
(Continued)

(73) Assignee: **KENNAMETAL INC**, Latrobe, PA (US)

FOREIGN PATENT DOCUMENTS

(**) Term: **15 Years**

DE 3909425 C1 8/1990
DE 19908656 C1 8/2000
(Continued)

(21) Appl. No.: **29/703,426**

OTHER PUBLICATIONS

(22) Filed: **Aug. 27, 2019**

May 19, 2020 Office Action (non-U.S.) CN App. No. 202030055393.2.

(51) **LOC (13) Cl.** **08-05**

(52) **U.S. Cl.**
USPC **D8/71; D15/140**

(Continued)

(58) **Field of Classification Search**
USPC D8/354, 70-74; D15/28, 140, 131, 138,
D15/139
CPC E21C 35/19; E21C 35/18; E21C 35/183
See application file for complete search history.

Primary Examiner — Mark A Goodwin
(74) *Attorney, Agent, or Firm* — Larry R. Meenan

(57) **CLAIM**

The ornamental design for an adapter block, as shown and described.

(56) **References Cited**

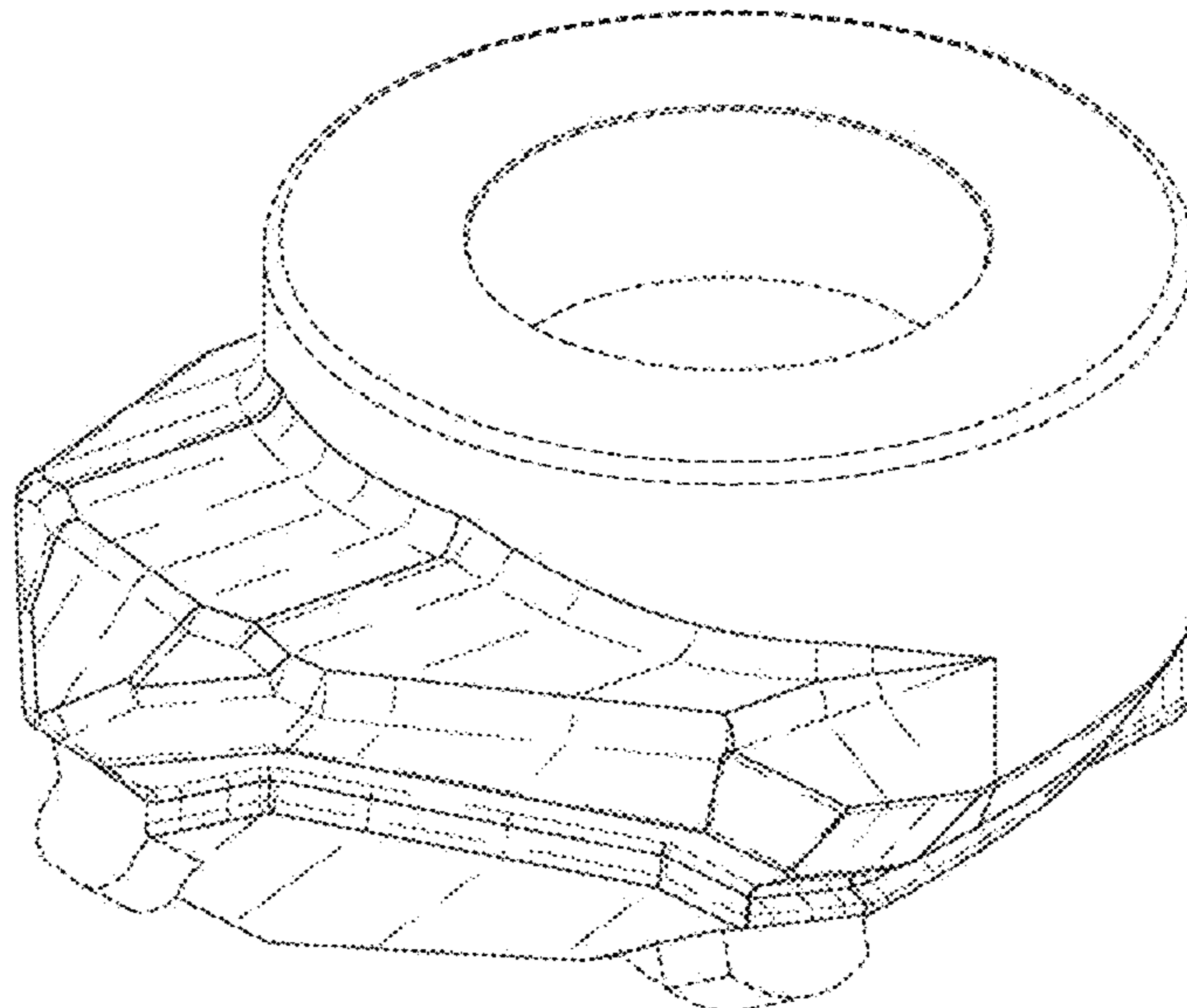
U.S. PATENT DOCUMENTS

DESCRIPTION

4,091,692 A * 5/1978 Wrulich E21C 35/18
76/101.1
4,650,256 A 3/1987 Wetzinger
4,944,560 A 7/1990 Osterwise
5,251,964 A * 10/1993 Ojanen B23K 1/001
175/435
6,764,140 B2 7/2004 Carson et al.
7,380,888 B2 6/2008 Ojanen
D585,259 S * 1/2009 Holl D8/71
8,061,783 B2 11/2011 Keller et al.
D653,523 S * 2/2012 Wackwitz D8/354
D681,069 S * 4/2013 Fundakowski D15/28
8,523,289 B2 9/2013 Helsel et al.
D692,037 S 10/2013 Buhr et al.
D692,038 S 10/2013 Buhr et al.

FIG. 1 is a top-front isometric view of an adapter block showing the new design;
FIG. 2 is a bottom-rear isometric view thereof;
FIG. 3 is a front view thereof;
FIG. 4 is a rear view thereof;
FIG. 5 is a left side view thereof;
FIG. 6 is a right side view thereof;
FIG. 7 is a top view thereof; and,
FIG. 8 is a bottom view thereof.
The broken lines show portion of the adapter block that form no part of the claimed design.

1 Claim, 6 Drawing Sheets



(56)

References Cited

U.S. PATENT DOCUMENTS

9,260,965 B2 2/2016 Lehnert et al.
 9,267,373 B2 2/2016 Kammerer et al.
 D753,748 S * 4/2016 Schneider D16/136
 9,376,911 B2 6/2016 Lehnert et al.
 9,382,795 B2 7/2016 Bookhamer
 D778,702 S 2/2017 Mouthaan
 9,719,348 B2 8/2017 Lehnert et al.
 9,797,246 B2 10/2017 Lehnert et al.
 D808,237 S * 1/2018 Tatom D8/71
 D859,974 S * 9/2019 Scott D8/397
 D882,388 S * 4/2020 Schramm D8/397
 D882,389 S * 4/2020 Schramm D8/397
 2002/0153175 A1 10/2002 Ojanen
 2003/0184145 A1 10/2003 Carson
 2005/0173966 A1 * 8/2005 Mouthaan E21C 35/197
 299/104
 2008/0053711 A1 * 3/2008 O'Neill E21C 35/183
 175/432
 2010/0038965 A1 2/2010 Keller
 2011/0089747 A1 4/2011 Helsel
 2011/0148178 A1 6/2011 Lehnert
 2011/0204702 A1 * 8/2011 Lehnert E21C 35/183
 299/105

2013/0207444 A1 * 8/2013 Chiang E21C 35/183
 299/104
 2013/0241264 A1 9/2013 Lehnert
 2013/0307316 A1 11/2013 Roetsch
 2014/0042795 A1 2/2014 Fader
 2015/0028854 A1 1/2015 Lenhert
 2016/0194956 A1 7/2016 Sollami
 2017/0198579 A1 7/2017 Magee
 2017/0254200 A1 9/2017 Sollami
 2019/0117741 A1 4/2019 Lehnert

FOREIGN PATENT DOCUMENTS

DE 102011051520 10/2014
 DE 202014010440 12/2015
 GB 2077810 S 10/1983
 WO WO2006119536 A1 11/2006

OTHER PUBLICATIONS

Jul. 24, 2020 Office action (3 months) (U.S. Only) U.S. Appl. No. 16/552,224.

* cited by examiner

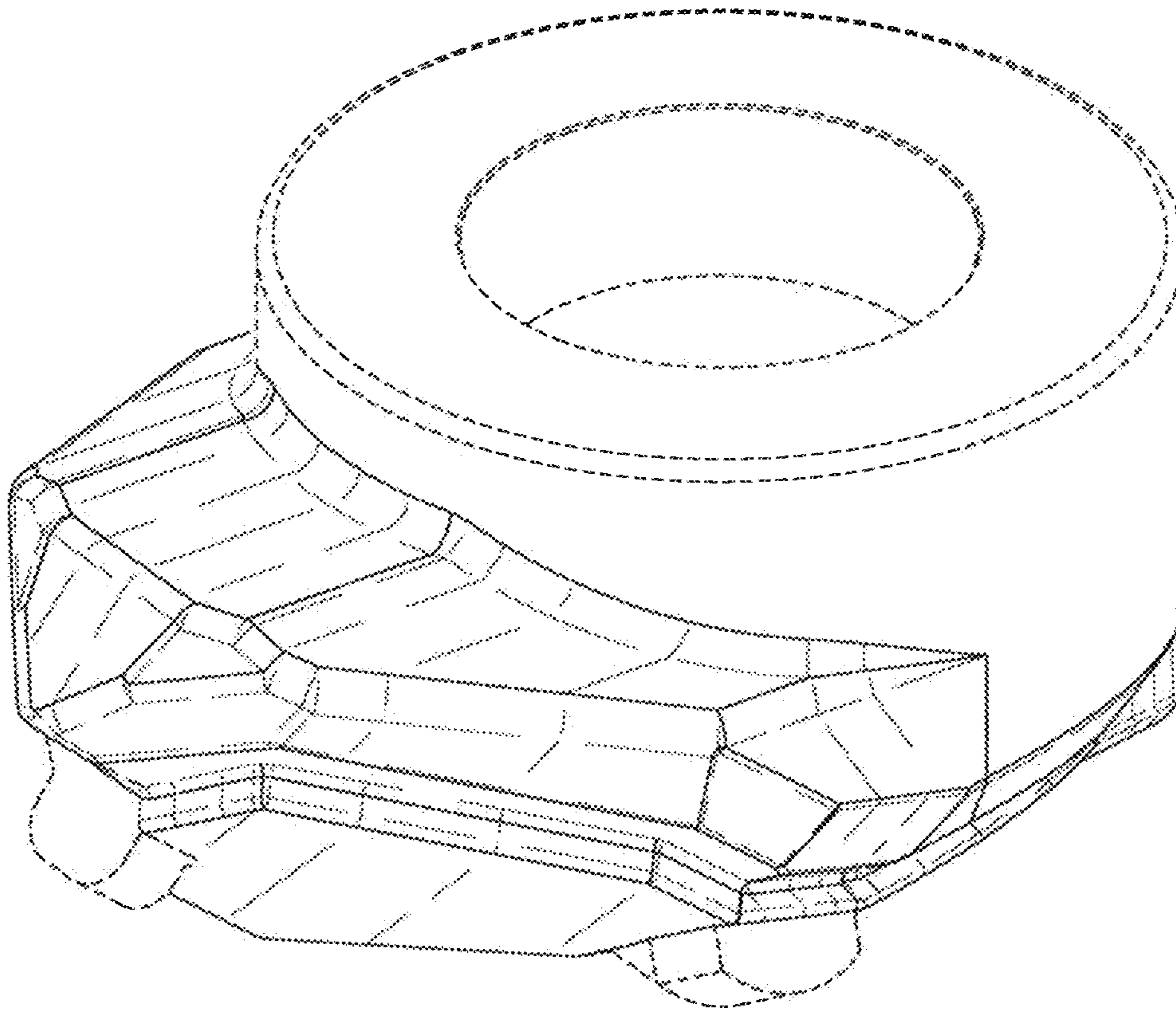


FIG. 1

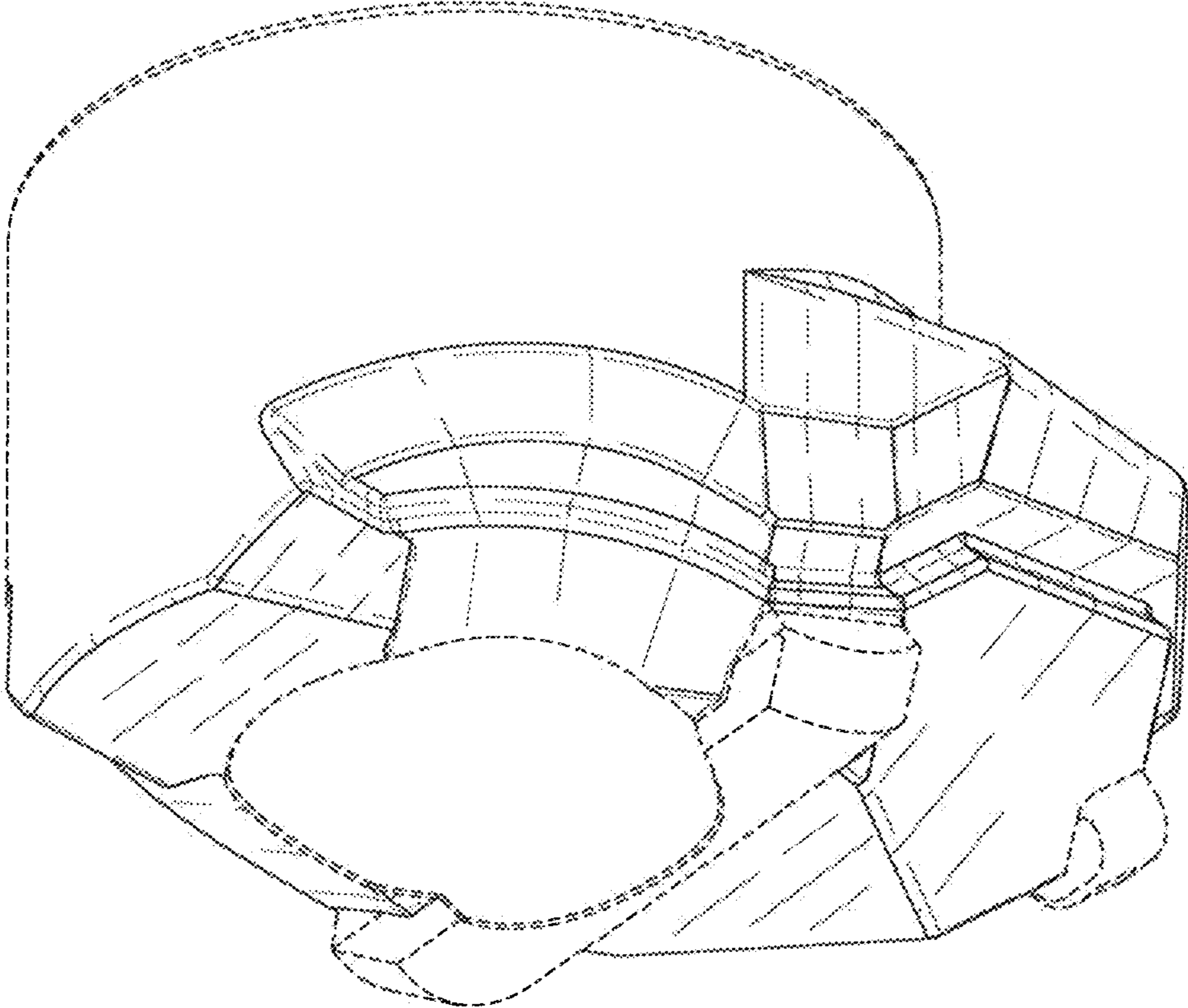


FIG. 2

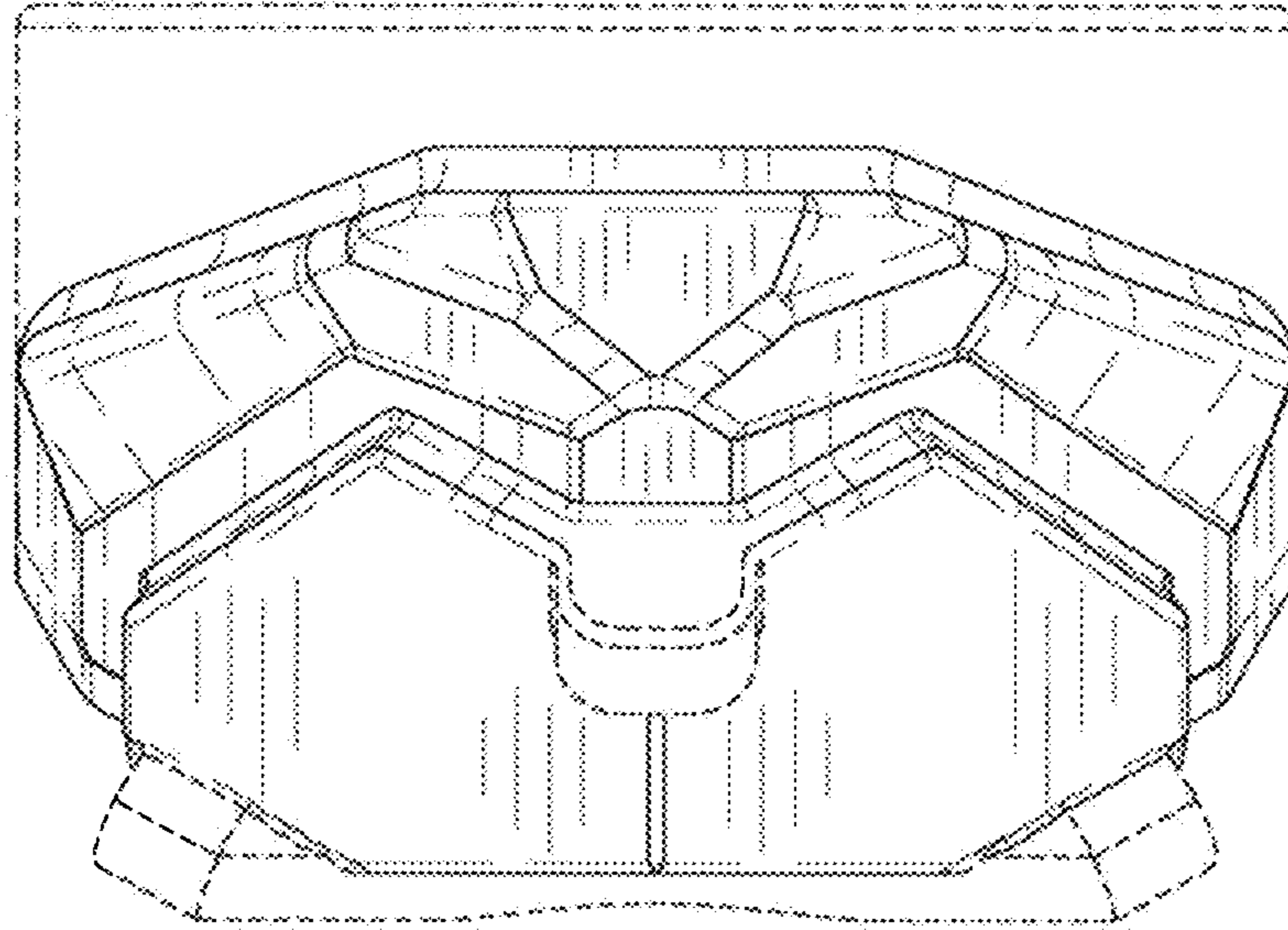


FIG. 3

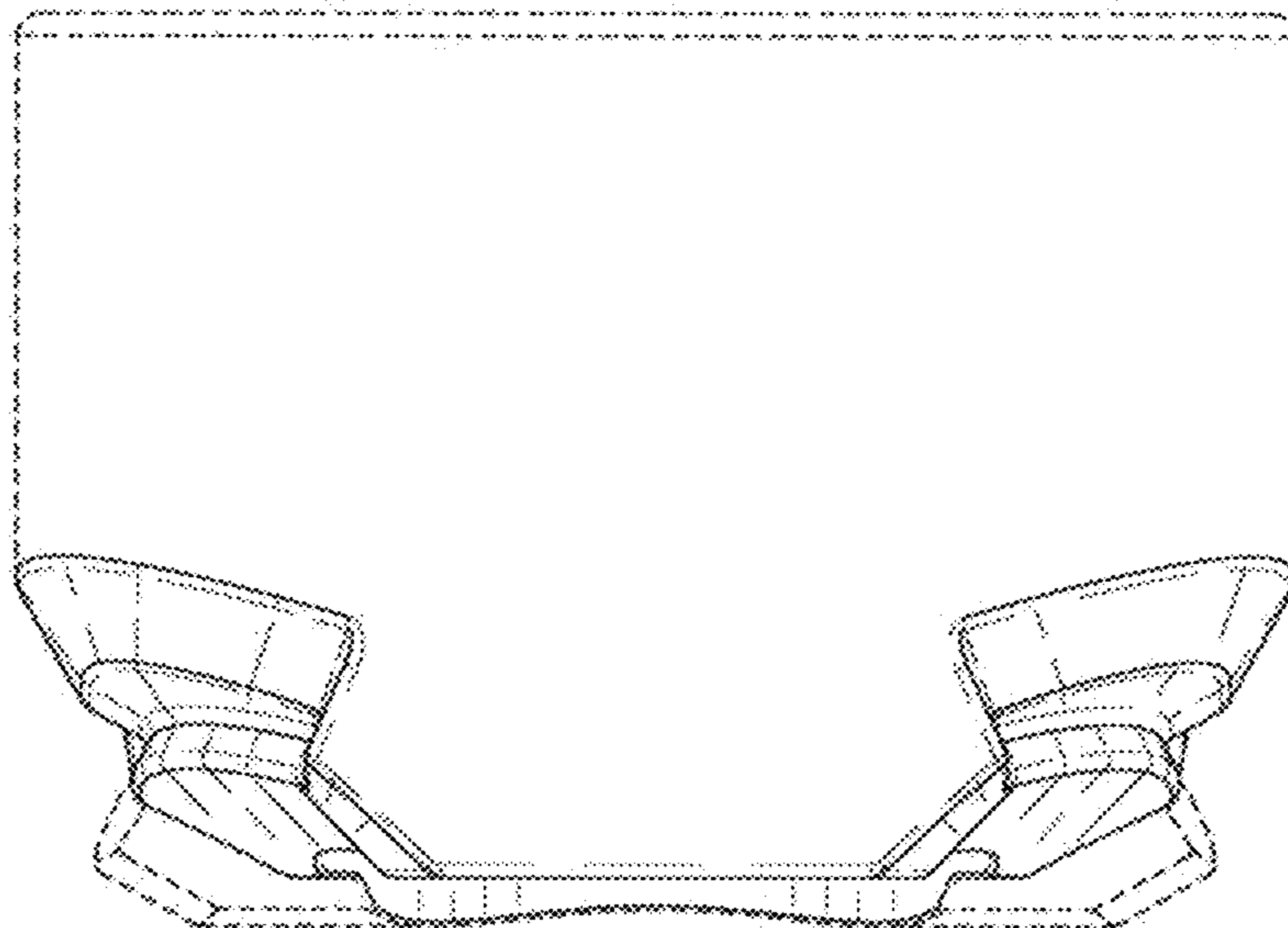


FIG. 4

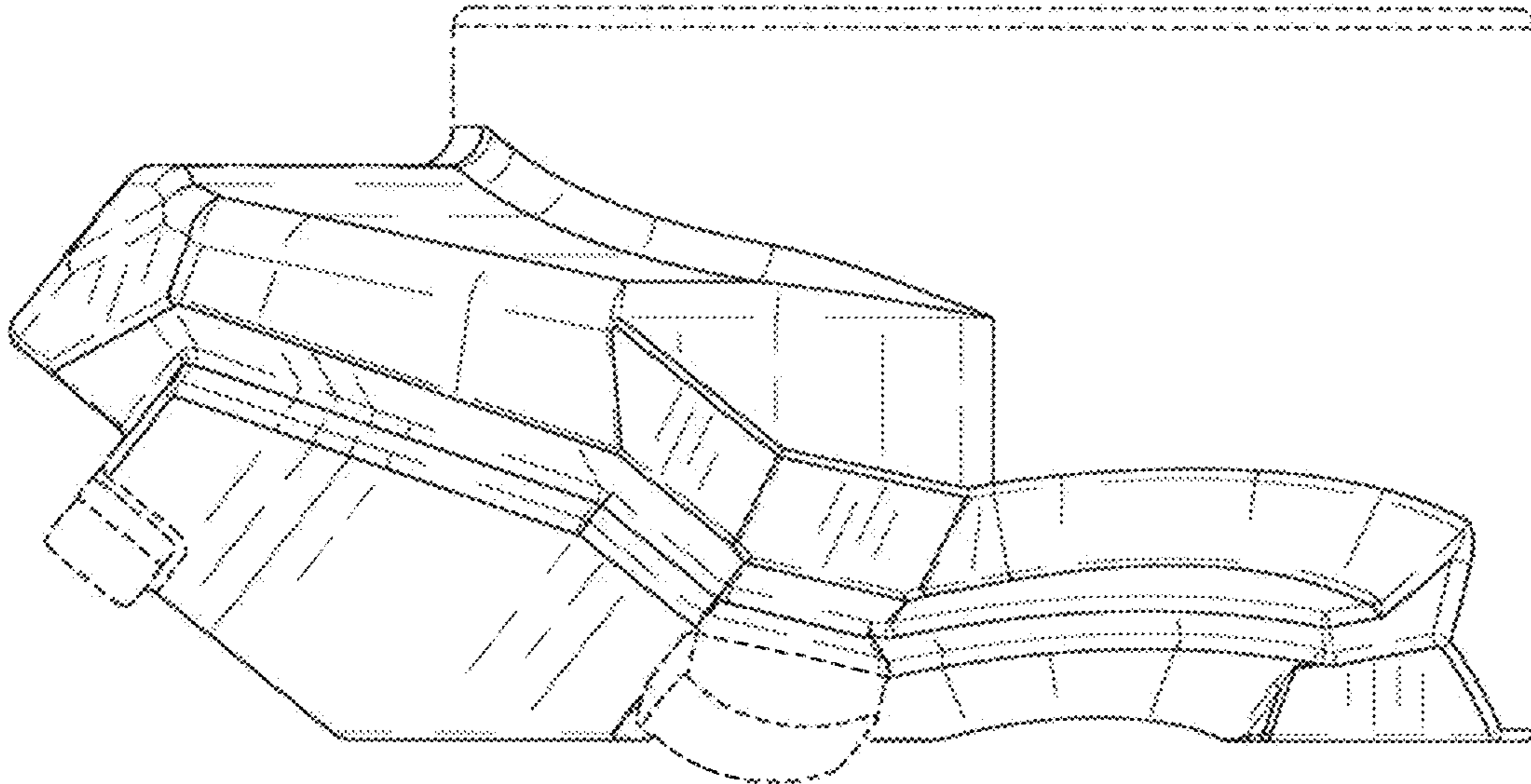


FIG. 5

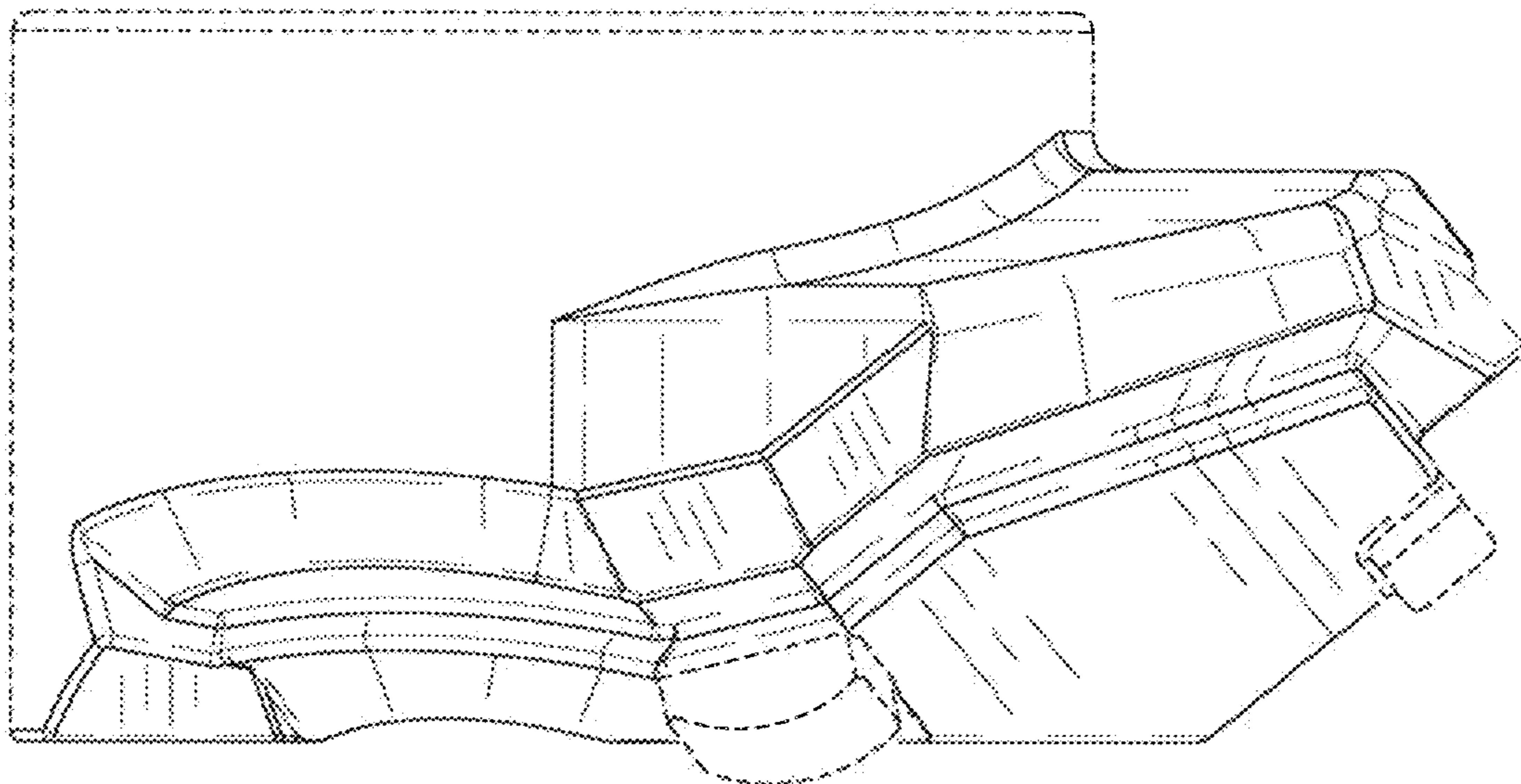


FIG. 6

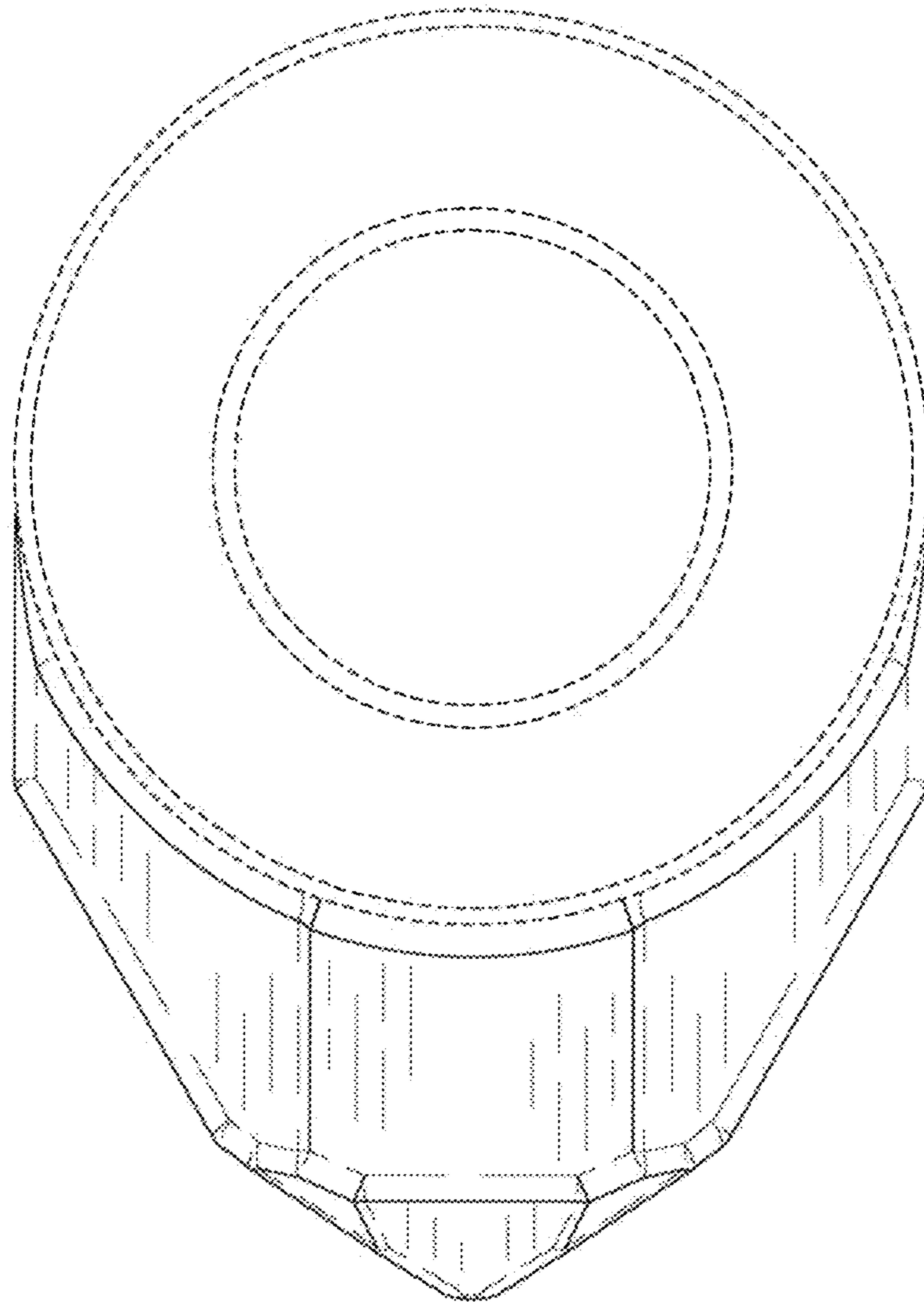


FIG. 7

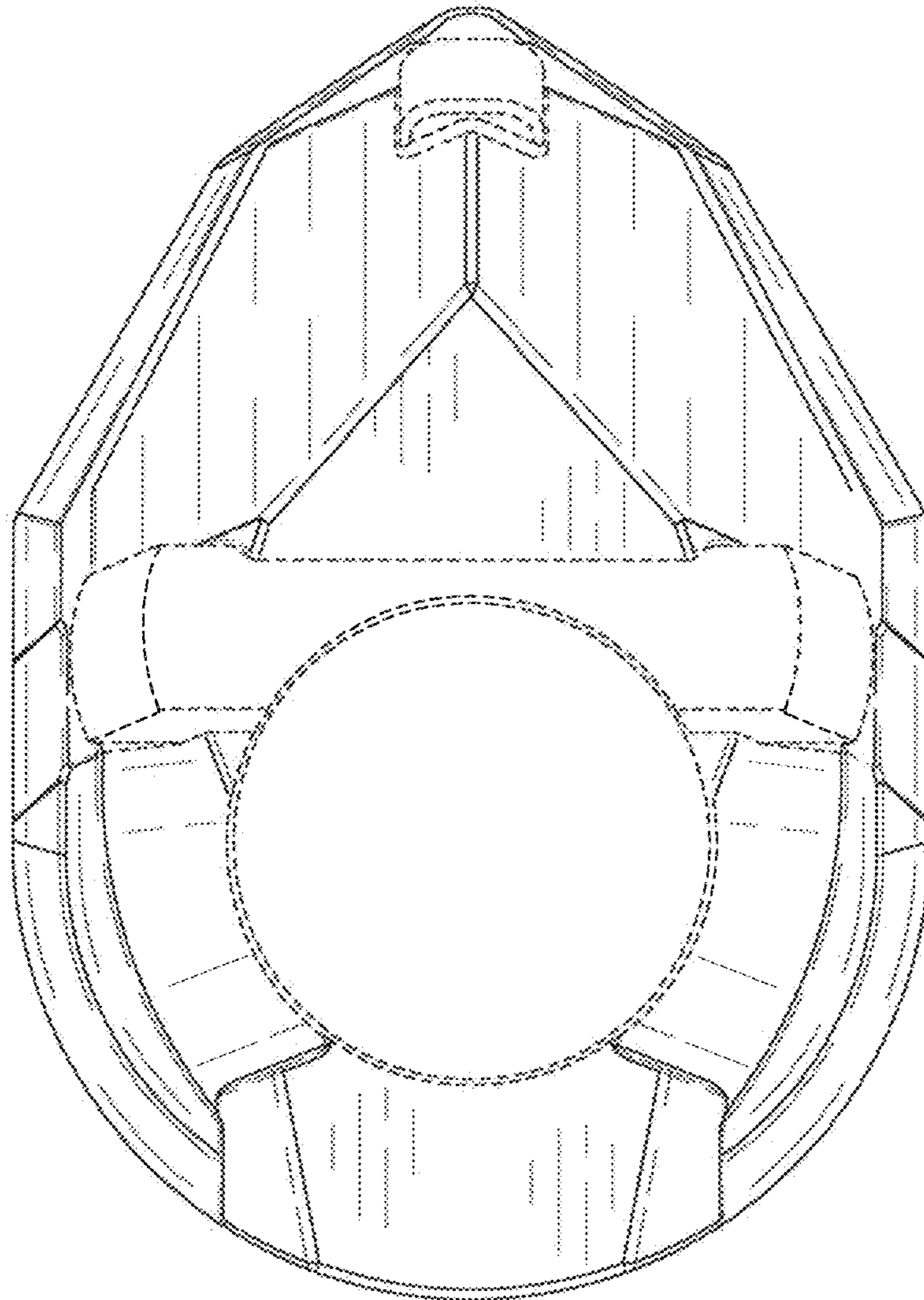


FIG. 8