



US00D909164S

(12) **United States Design Patent**  
**Kong**

(10) **Patent No.:** **US D909,164 S**

(45) **Date of Patent:** **\*\* Feb. 2, 2021**

- (54) **ROPE SAW**
- (71) Applicant: **YONGKANG YIZU TRADING CO., LTD**, Jinhua (CN)
- (72) Inventor: **Lingzhou Kong**, Zhengzhou (CN)
- (\*\*) Term: **15 Years**
- (21) Appl. No.: **29/741,667**
- (22) Filed: **Jul. 15, 2020**
- (51) **LOC (13) Cl.** ..... **08-03**
- (52) **U.S. Cl.**  
USPC ..... **D8/65; D15/139; D8/20**
- (58) **Field of Classification Search**  
USPC ..... **D8/65, 70; D15/126, 139**  
CPC ..... **A01G 3/08; B23D 57/023; Y10T 83/909**  
See application file for complete search history.

- 4,344,229 A \* 8/1982 Johnson ..... A01G 3/08  
30/166.3
- 4,518,022 A \* 5/1985 Valdes ..... B23D 57/023  
30/166.3
- 4,841,824 A \* 6/1989 Hartmann ..... B27B 33/144  
83/830
- 4,936,284 A \* 6/1990 Johnson ..... B23D 61/185  
125/21
- 5,056,395 A \* 10/1991 Sovak ..... B27B 33/144  
83/830

(Continued)

*Primary Examiner* — Patricia A Palasik  
(74) *Attorney, Agent, or Firm* — ZANIP

(57) **CLAIM**

The ornamental design for a rope saw, as shown and described.

**DESCRIPTION**

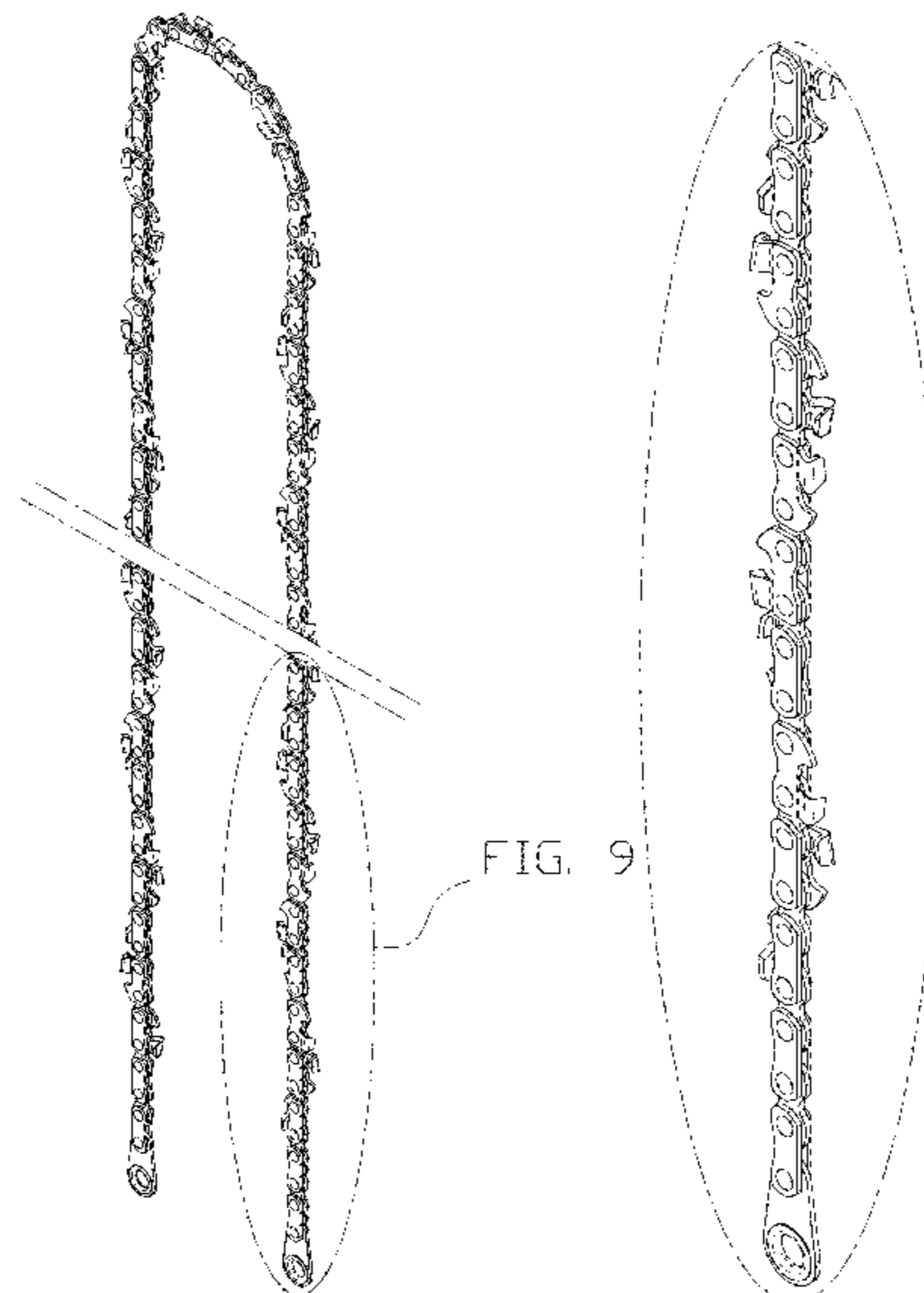
FIG. 1 is a front and top perspective view of a rope saw, showing my new design;  
 FIG. 2 is a rear and bottom perspective view thereof;  
 FIG. 3 is a front elevational view thereof;  
 FIG. 4 is a rear elevational view thereof;  
 FIG. 5 is a left side elevational view thereof;  
 FIG. 6 is a right side elevational view thereof;  
 FIG. 7 is an enlarged top plan view thereof;  
 FIG. 8 is an enlarged bottom plan view thereof;  
 FIG. 9 is an enlarged view of a portion labeled, 'FIG. 9' in FIG. 1; and,  
 FIG. 10 is a perspective view, showing the rope saw in a straight position.  
 The dash dot dash lines in FIGS. 1 and 9 are for the purpose of depicting the cut line of the enlarged view and form no part of the claim. The rope saw is shown with a symbolic break in its length. The appearance of any portion of the article between the break lines forms no part of the claimed design.

(56) **References Cited**

**U.S. PATENT DOCUMENTS**

- D168,747 S \* 2/1953 Mall ..... D8/65
- 2,843,164 A \* 7/1958 Marsh ..... B27B 17/0008  
30/383
- 2,976,900 A \* 3/1961 Mills ..... B27B 33/144  
83/834
- 3,093,021 A \* 6/1963 Barron ..... B28D 1/08  
125/21
- 3,261,385 A \* 7/1966 Cooper ..... B27B 33/142  
83/834
- 3,292,675 A \* 12/1966 Bullard ..... B27B 33/144  
83/834
- 3,361,012 A \* 1/1968 Fullerton ..... B23D 63/168  
76/80.5
- 3,910,147 A \* 10/1975 Heyerdahl ..... B27B 33/145  
83/830
- 4,193,188 A \* 3/1980 Johnson ..... A01G 3/08  
30/166.3
- 4,240,203 A \* 12/1980 Johnson ..... A01G 3/08  
30/166.3
- 4,242,796 A \* 1/1981 Barausch ..... B23D 57/023  
30/166.3

**1 Claim, 10 Drawing Sheets**



(56)

**References Cited**

U.S. PATENT DOCUMENTS

5,092,047 A \* 3/1992 Hinkley ..... A01G 3/08  
30/166.3  
5,271,145 A \* 12/1993 Westerman, Jr. .. B23D 57/0015  
29/402.11  
5,303,689 A \* 4/1994 Mayer ..... B23D 57/0061  
125/21  
D356,931 S \* 4/1995 Dishaw ..... D8/65  
5,645,040 A \* 7/1997 Bieri jun. .... B23D 57/0053  
125/21  
6,058,825 A \* 5/2000 Harfst ..... B27B 33/141  
30/166.3  
6,112,632 A \* 9/2000 Buchholtz ..... B27B 33/141  
83/830  
D534,933 S 1/2007 Tsukamoto et al.  
D535,169 S \* 1/2007 Sultan ..... D8/70  
7,516,688 B2 \* 4/2009 Raczykowski ..... B27B 33/144  
30/381  
D643,447 S \* 8/2011 Barnes ..... D15/139  
D643,448 S \* 8/2011 Barnes ..... D15/139  
8,028,610 B2 \* 10/2011 Kewes ..... B27B 33/142  
83/831  
D715,341 S \* 10/2014 Schell ..... D15/139  
D730,138 S \* 5/2015 Schulz ..... D8/65  
2008/0314218 A1 \* 12/2008 Rieger ..... B23D 57/003  
83/544  
2008/0314224 A1 \* 12/2008 Rieger ..... B23D 57/003  
83/860  
2009/0172956 A1 \* 7/2009 Cheng ..... A01G 3/08  
30/381  
2015/0209976 A1 \* 7/2015 Kim ..... B23D 61/185  
125/21

\* cited by examiner

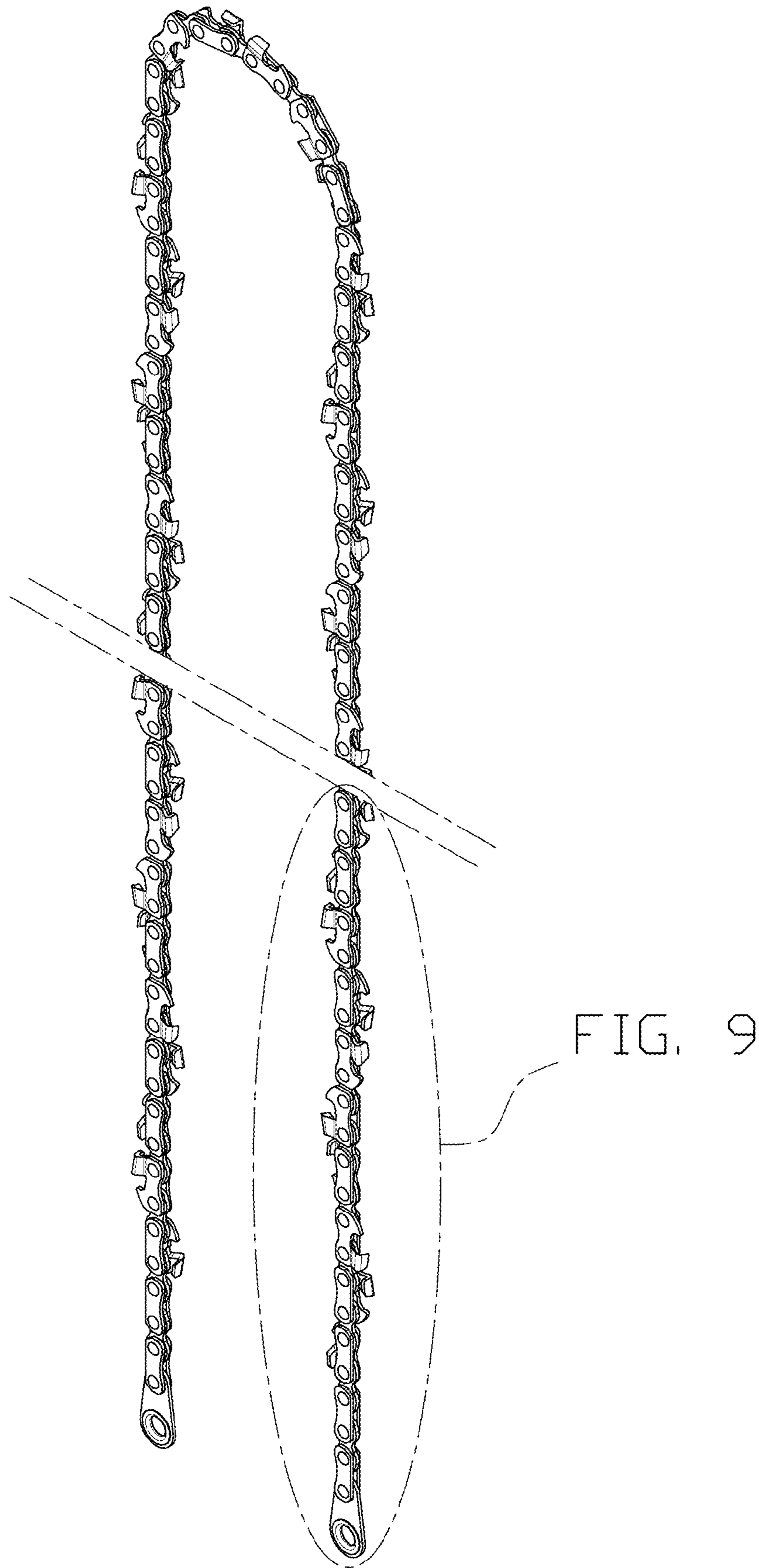


FIG. 1

FIG. 9

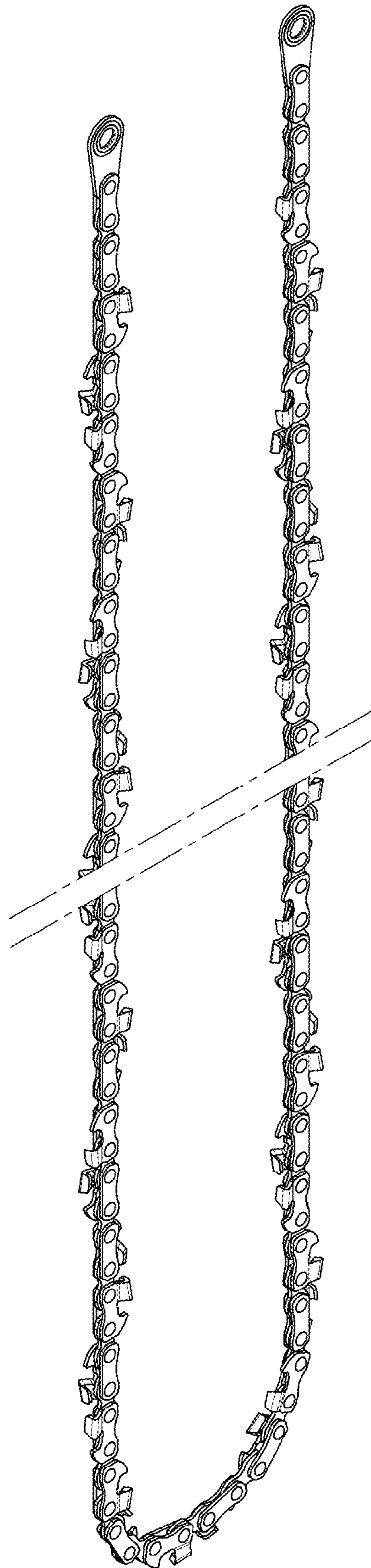


FIG. 2

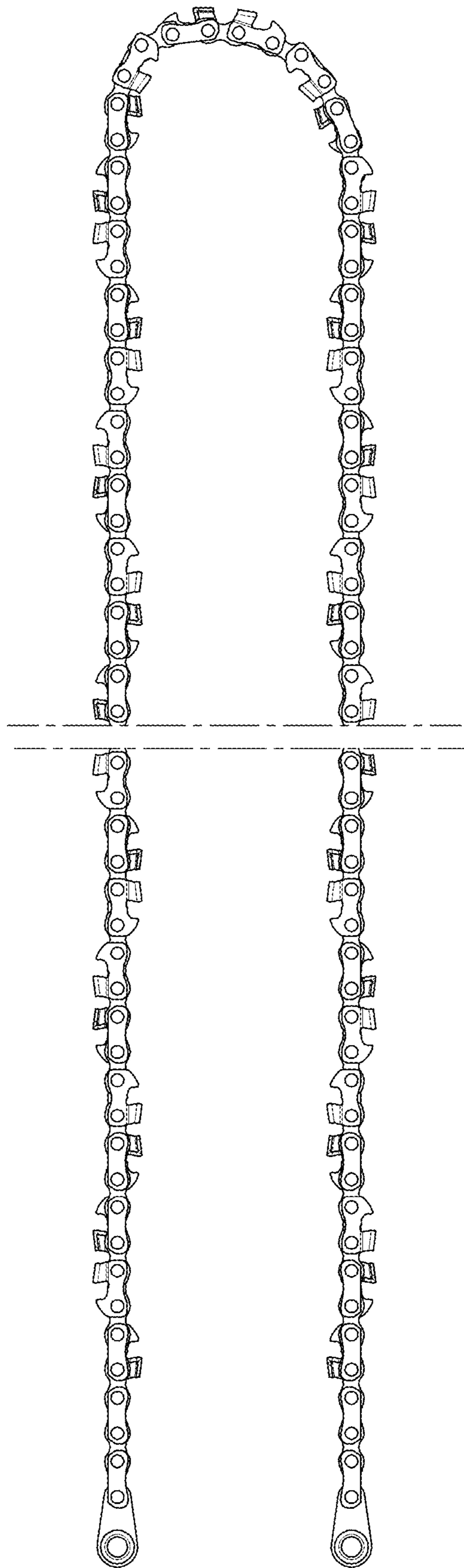


FIG. 3

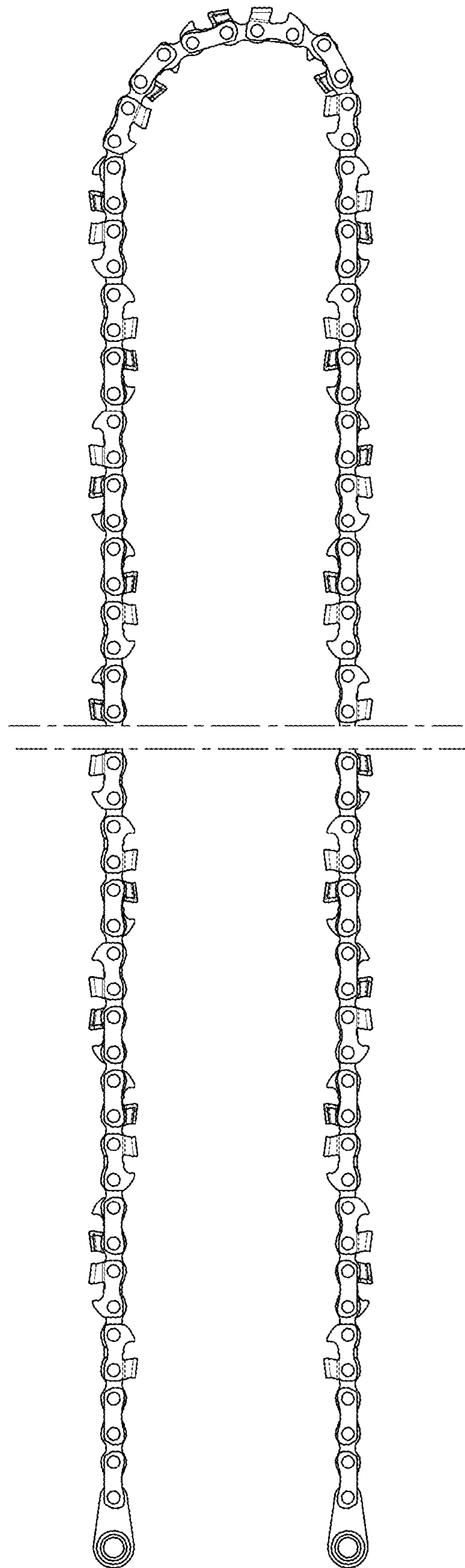


FIG. 4

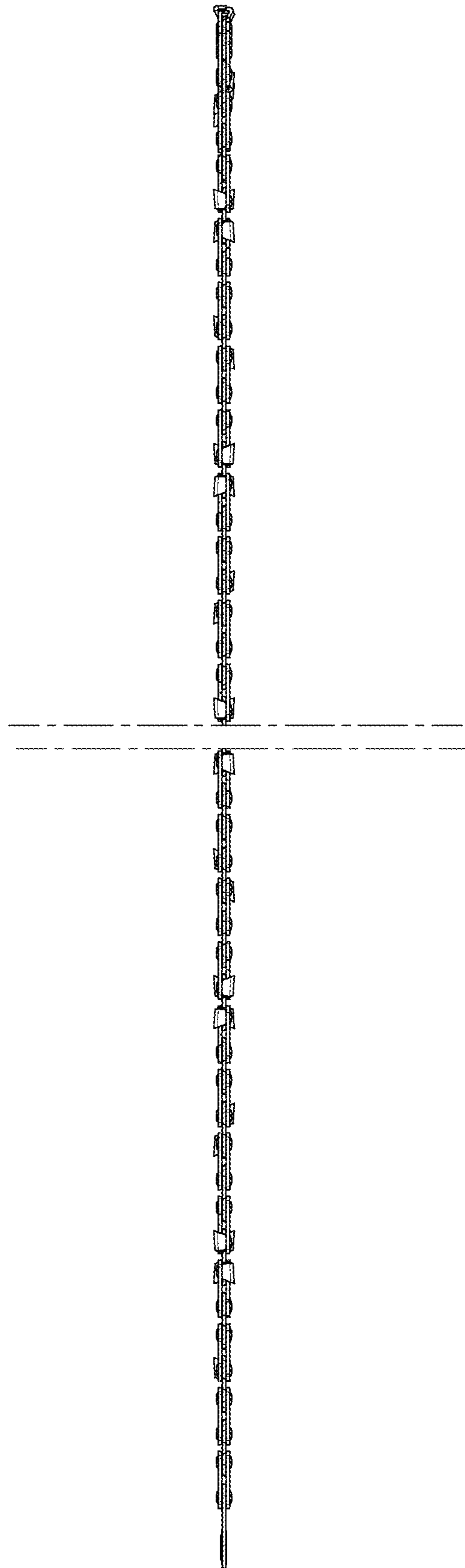


FIG. 5

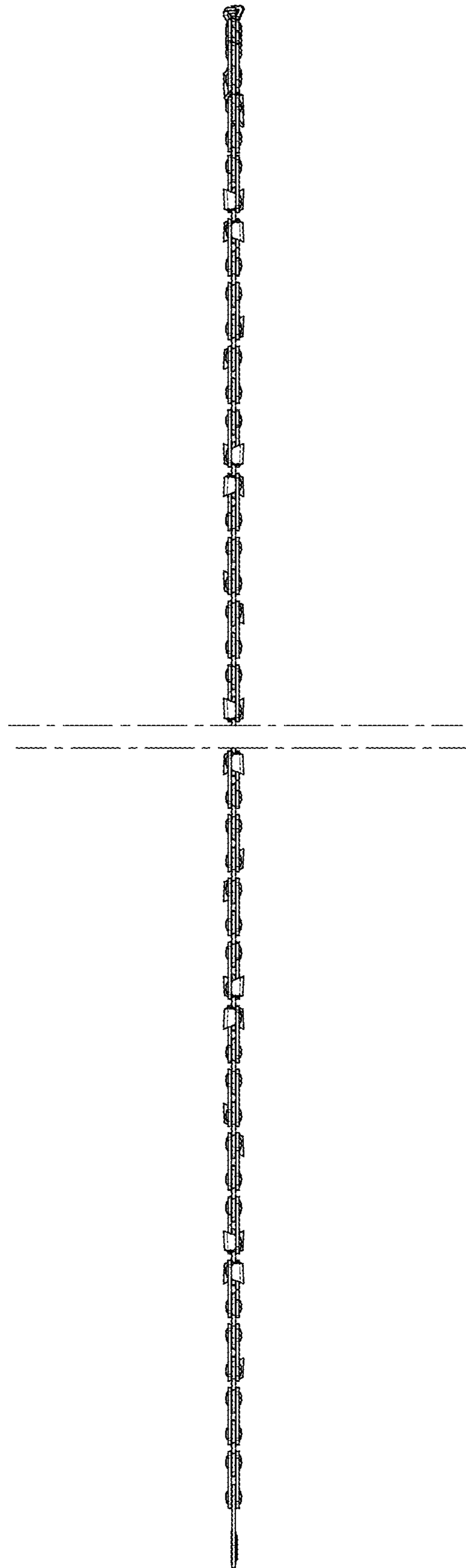


FIG. 6



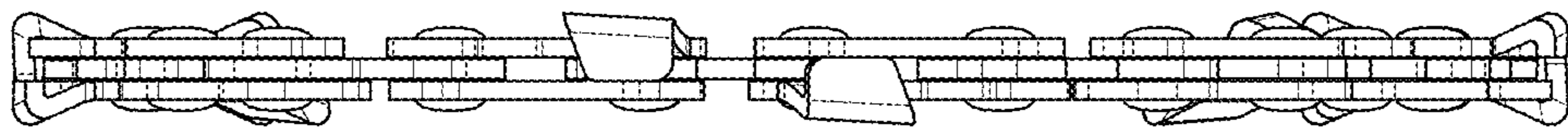


FIG. 7

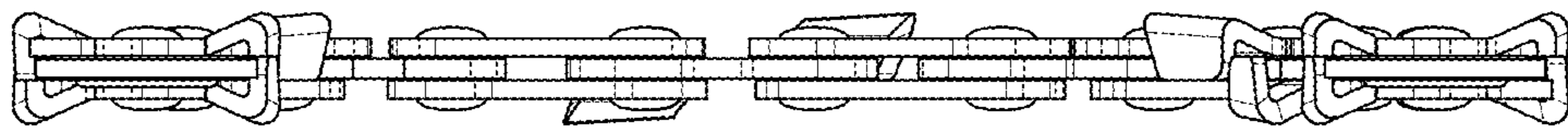


FIG. 8

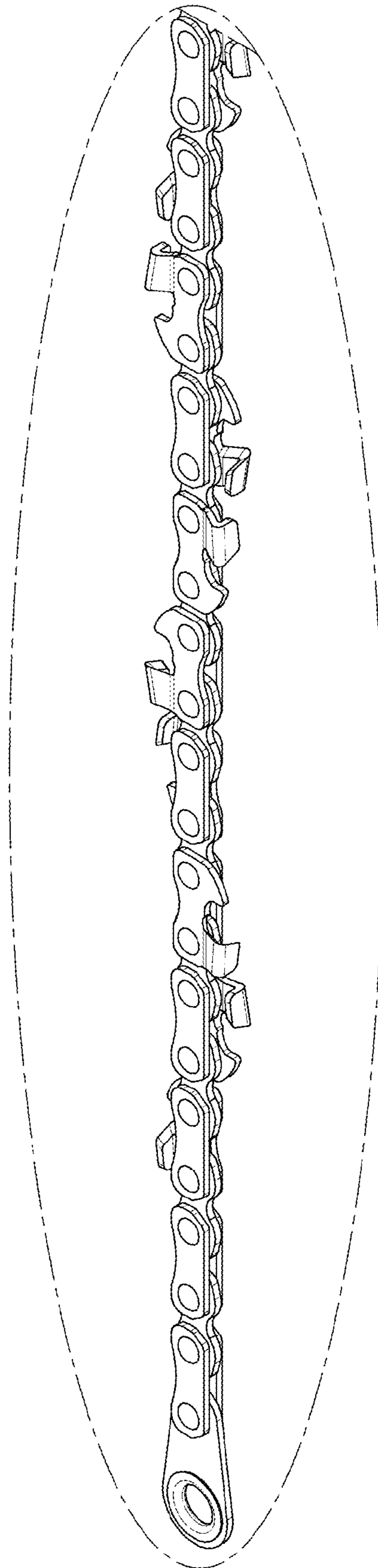


FIG. 9

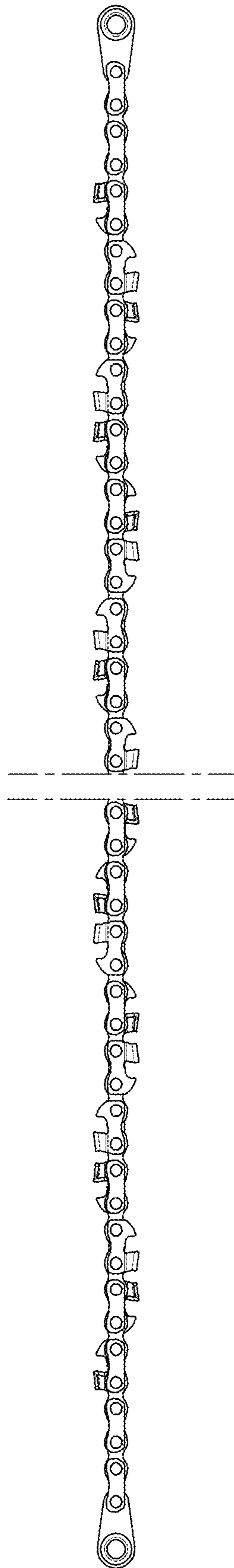


FIG. 10