



US00D909163S

(12) **United States Design Patent** (10) **Patent No.:** **US D909,163 S**  
**Yuan** (45) **Date of Patent:** **\*\* \*Feb. 2, 2021**

(54) **CAP GUN BOTTLE OPENER**  
(71) Applicant: **Xin Yue Yuan**, Kowloon (HK)  
(72) Inventor: **Xin Yue Yuan**, Kowloon (HK)  
(\* ) Notice: This patent is subject to a terminal disclaimer.  
(\*\*) Term: **15 Years**  
(21) Appl. No.: **29/673,219**  
(22) Filed: **Dec. 13, 2018**  
(51) **LOC (13) Cl.** ..... **07-99**  
(52) **U.S. Cl.**  
USPC ..... **D8/38**  
(58) **Field of Classification Search**  
USPC ..... D8/18, 33-43; D3/207, 208, 211;  
D22/116, 104  
CPC .... B67B 7/00; B67B 7/12; B67B 7/14; B67B  
7/16; B67B 7/164; B67B 7/18; B67B  
7/182; B67B 7/20; B67B 7/30; B67B  
7/38; B67B 7/44  
See application file for complete search history.

(56) **References Cited**  
U.S. PATENT DOCUMENTS  
D7,933 S \* 12/1874 Richards ..... D22/104  
D24,448 S \* 7/1895 Bollmeier ..... D22/104  
D138,566 S \* 8/1944 Markham ..... D21/574  
2,589,051 A \* 3/1952 Carter ..... B67B 7/16  
81/3.42  
D170,537 S \* 10/1953 Lanning ..... D8/43  
D179,657 S \* 2/1957 Pittman, Jr. .... D22/104  
D188,804 S \* 9/1960 Dietz ..... D8/38

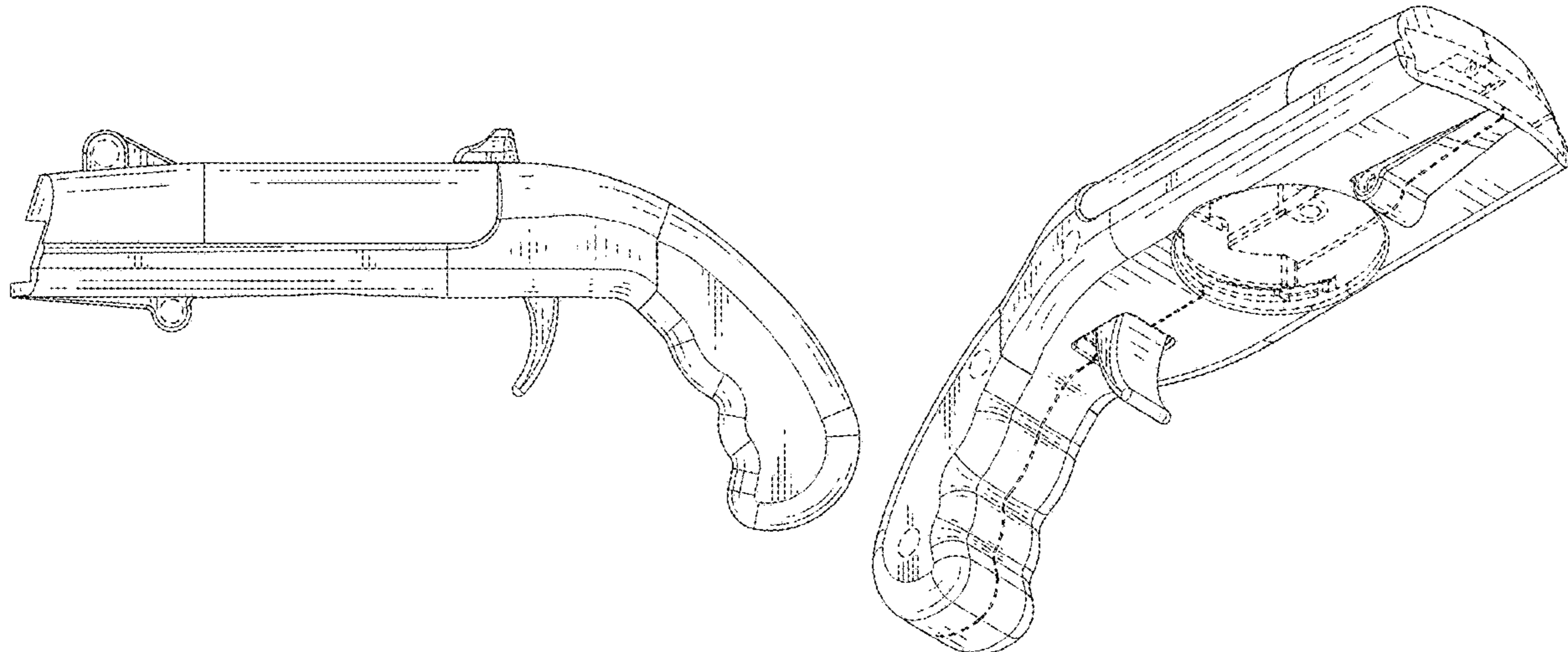
D214,496 S \* 6/1969 Critcher ..... D22/104  
D251,913 S \* 5/1979 Romano ..... D22/104  
D251,914 S \* 5/1979 Romano ..... D22/104  
D274,639 S \* 7/1984 Seminiano ..... D22/104  
D288,521 S \* 3/1987 Van Asten ..... D8/42  
D297,345 S \* 8/1988 Hartfelder ..... D22/104  
D301,828 S \* 6/1989 Wong ..... D8/36  
D311,481 S \* 10/1990 Van Asten ..... D8/36  
D312,672 S \* 12/1990 Arnott ..... D21/574  
D338,054 S \* 8/1993 Cummings ..... D22/104  
D377,077 S \* 12/1996 Predazzer ..... D22/100  
D420,717 S \* 2/2000 Donnelly ..... D22/104  
D704,016 S \* 5/2014 Ye ..... D8/43  
D720,806 S \* 1/2015 Knirr ..... D8/38  
D740,092 S \* 10/2015 Notaro ..... D8/38  
D826,015 S \* 8/2018 Erickson ..... D8/42

\* cited by examiner  
*Primary Examiner* — Elizabeth A. Albert

(57) **CLAIM**  
The ornamental design for a cap gun bottle opener, as shown and described.

**DESCRIPTION**  
FIG. 1 is a perspective view of a cap gun bottle opener; FIG. 2 is a front elevational view of thereof; FIG. 3 is a rear elevational view thereof; FIG. 4 is a left side elevational view thereof; FIG. 5 is a right side elevational view thereof; FIG. 6 is a top plan view thereof; FIG. 7 is a bottom plan view thereof; FIG. 8 is another perspective view thereof; and, FIG. 9 is an enlarged view showing a part of FIG. 4. In the drawings, the broken lines illustrate portions of the article that, form no part of the claimed design.

**1 Claim, 9 Drawing Sheets**



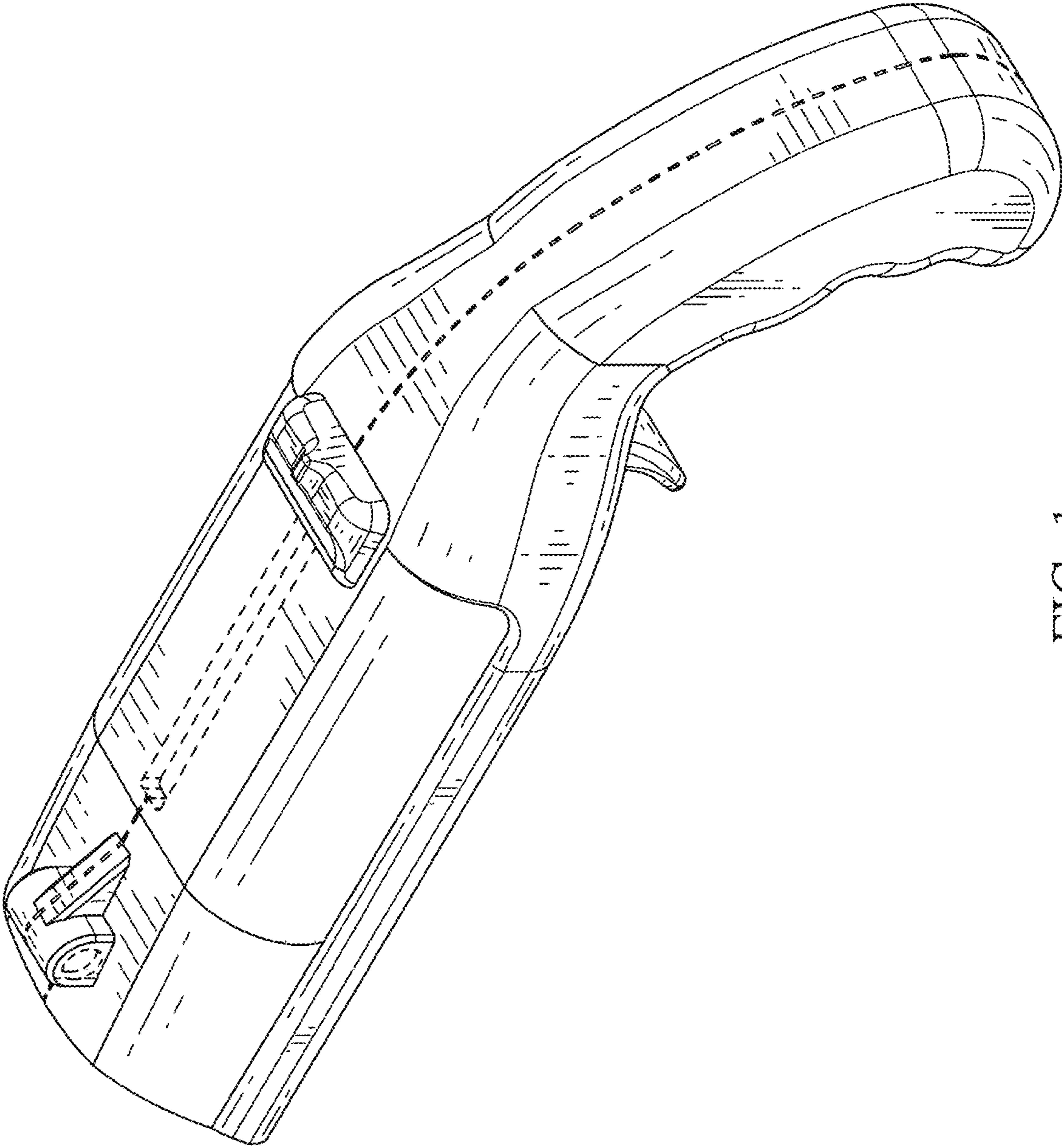


FIG. 1

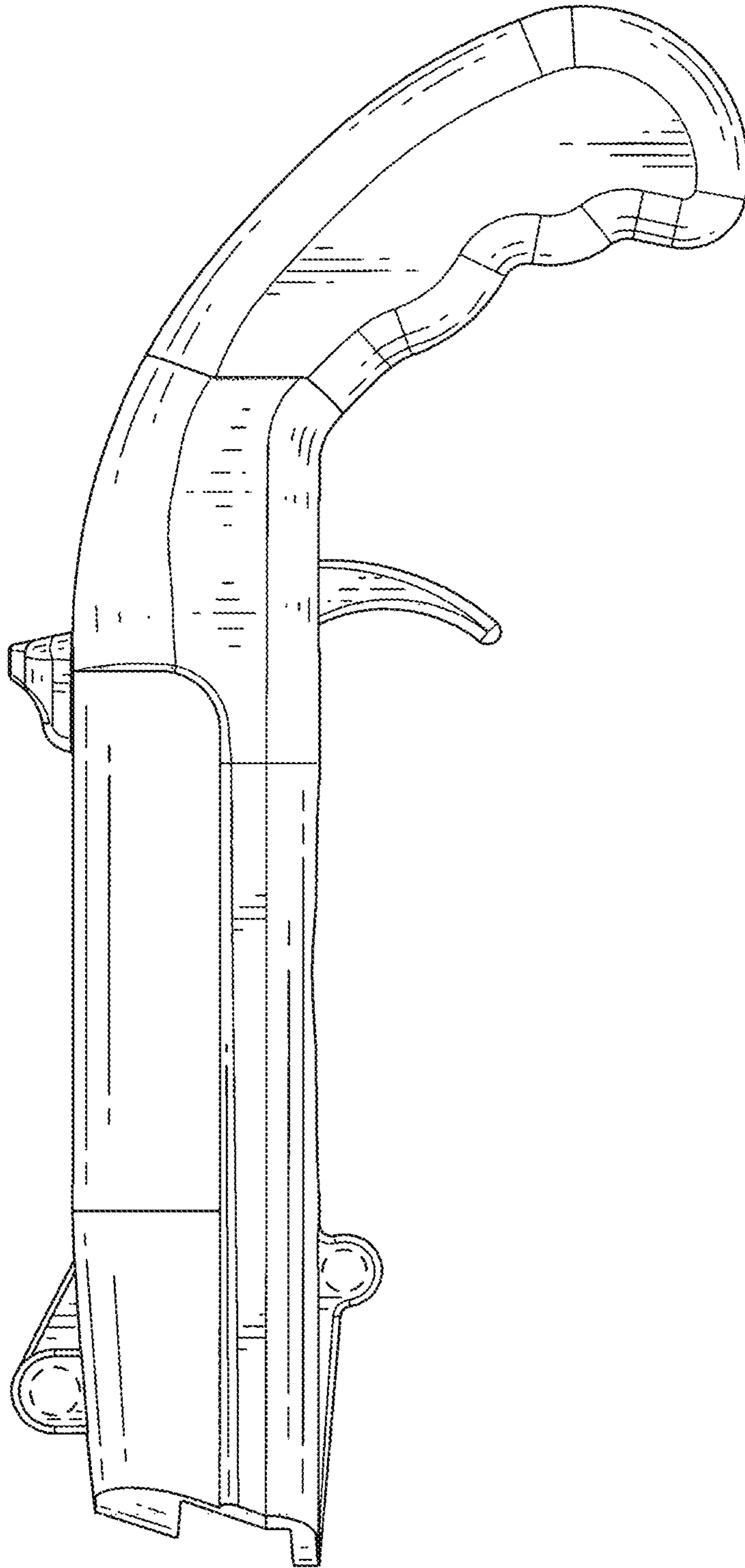


FIG. 2

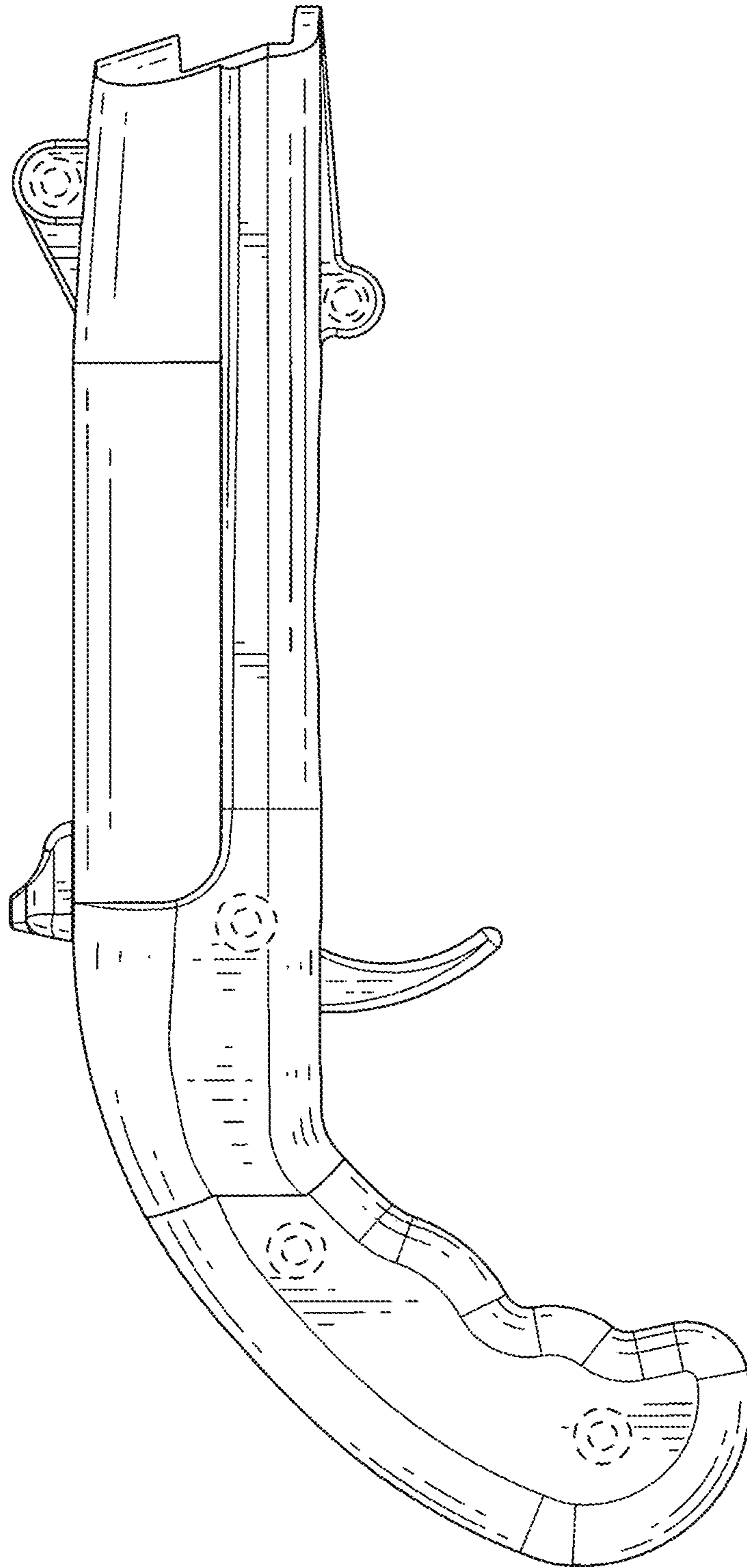


FIG. 3

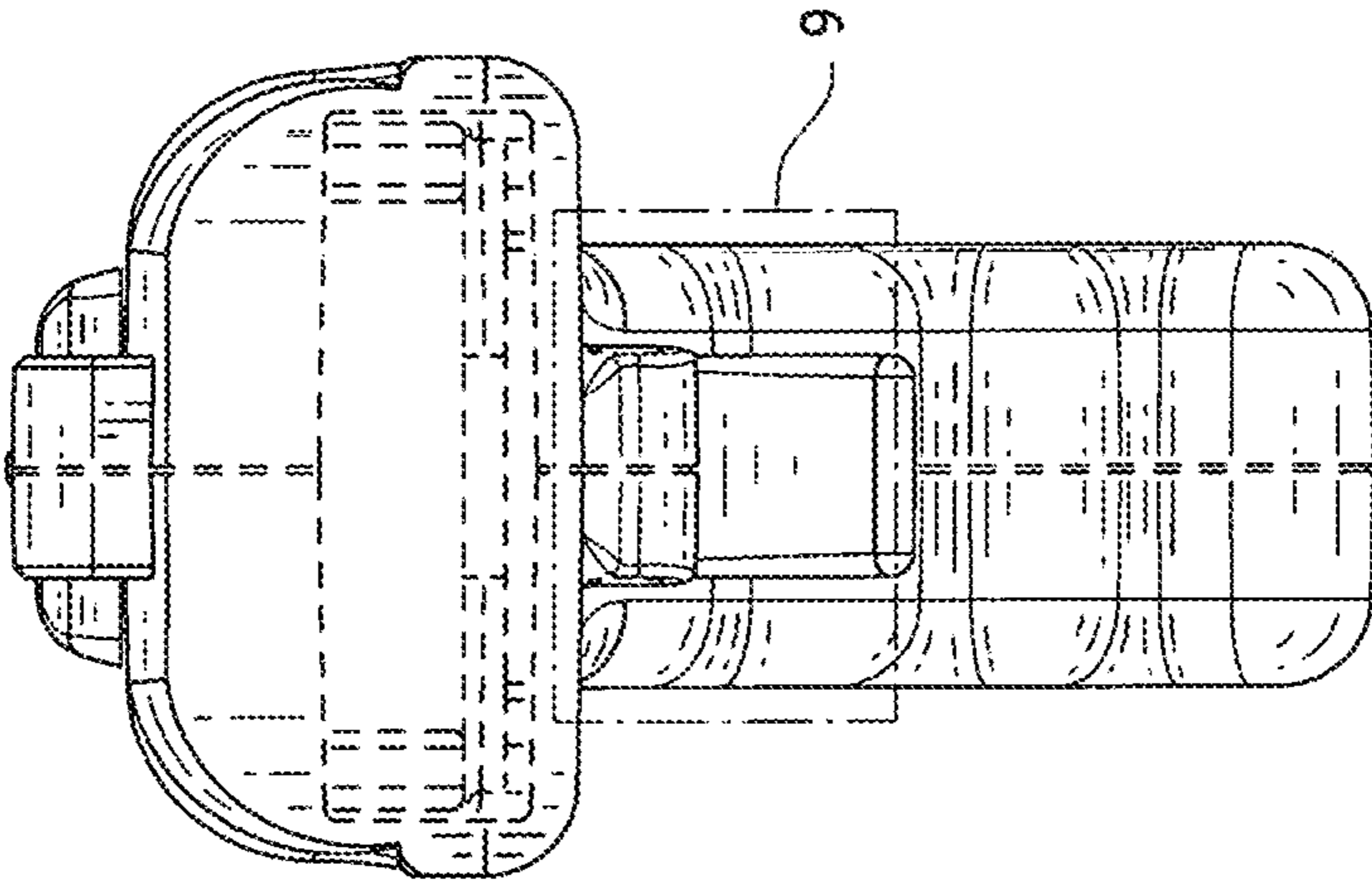


FIG. 4

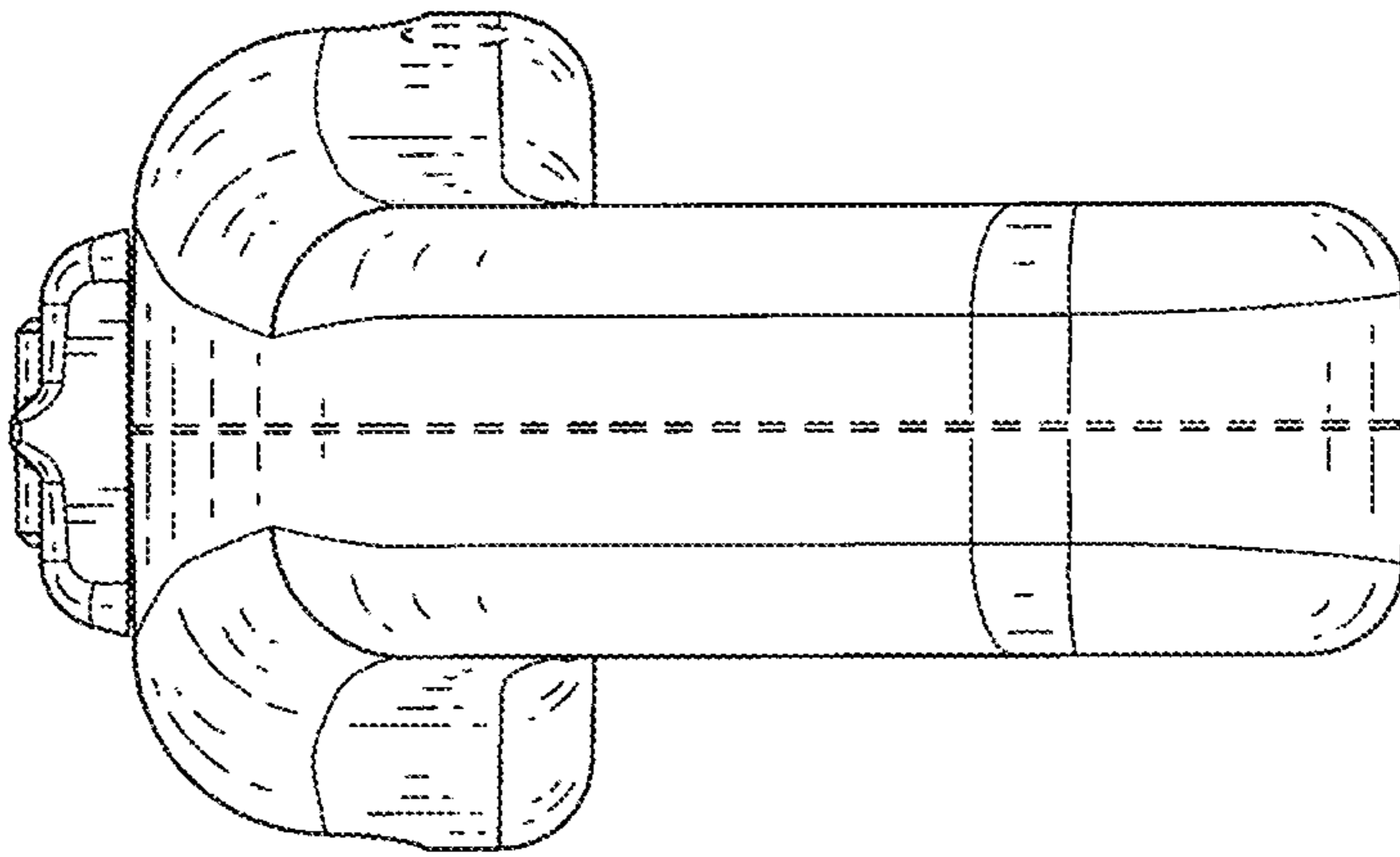


FIG. 5

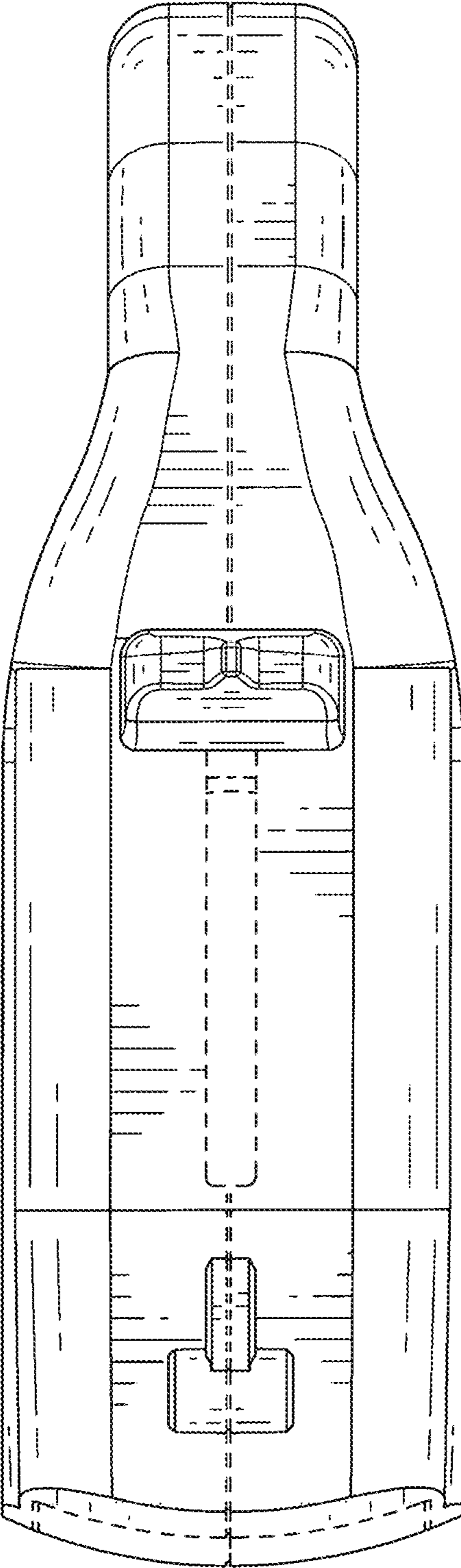


FIG. 6

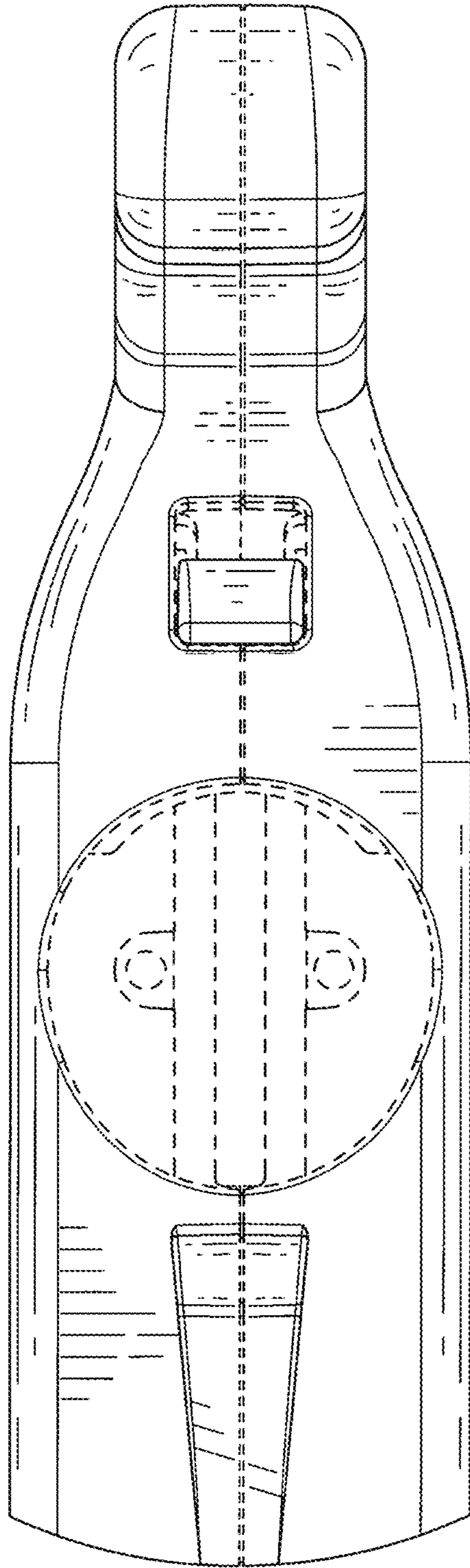


FIG. 7



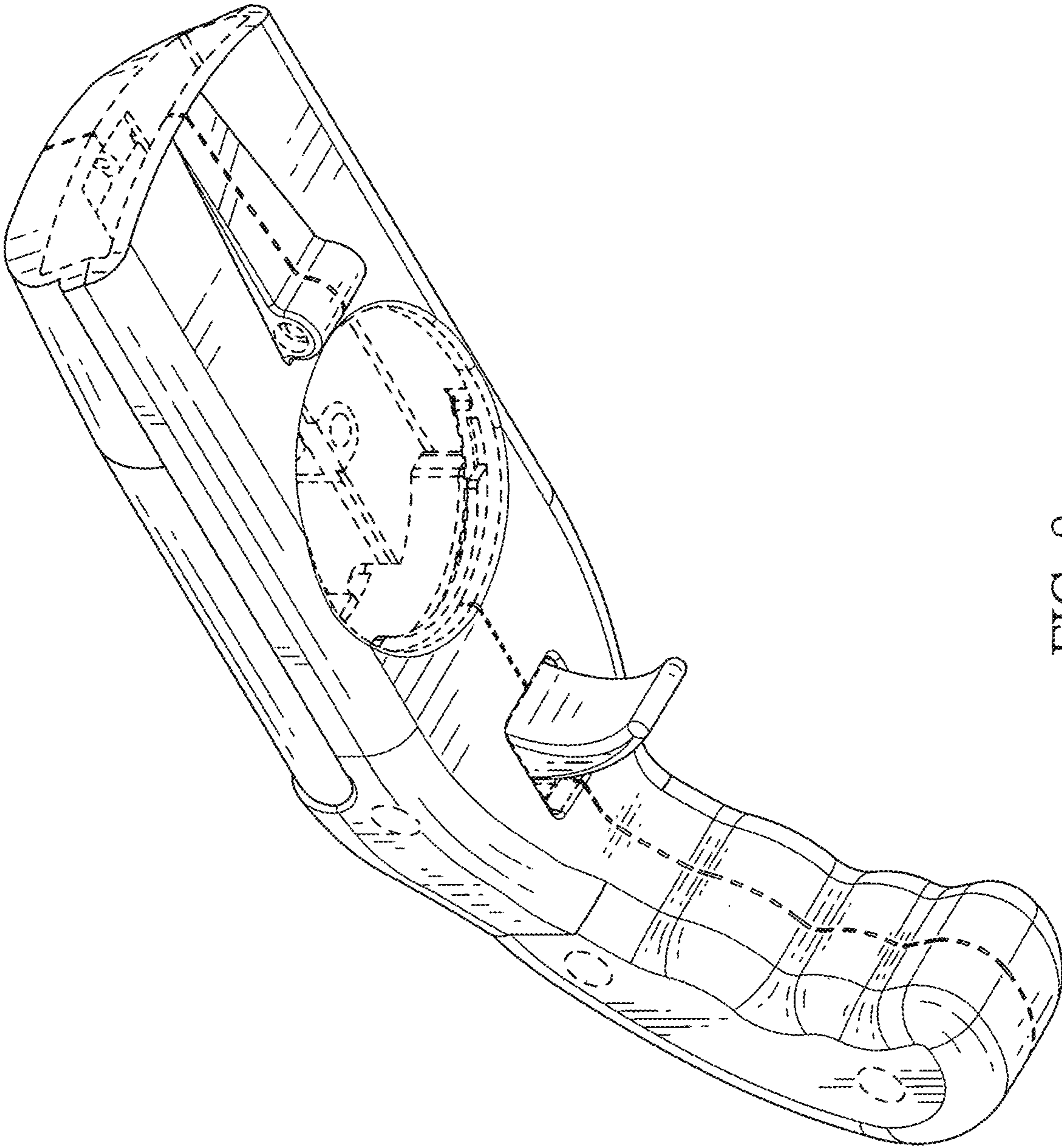


FIG. 8

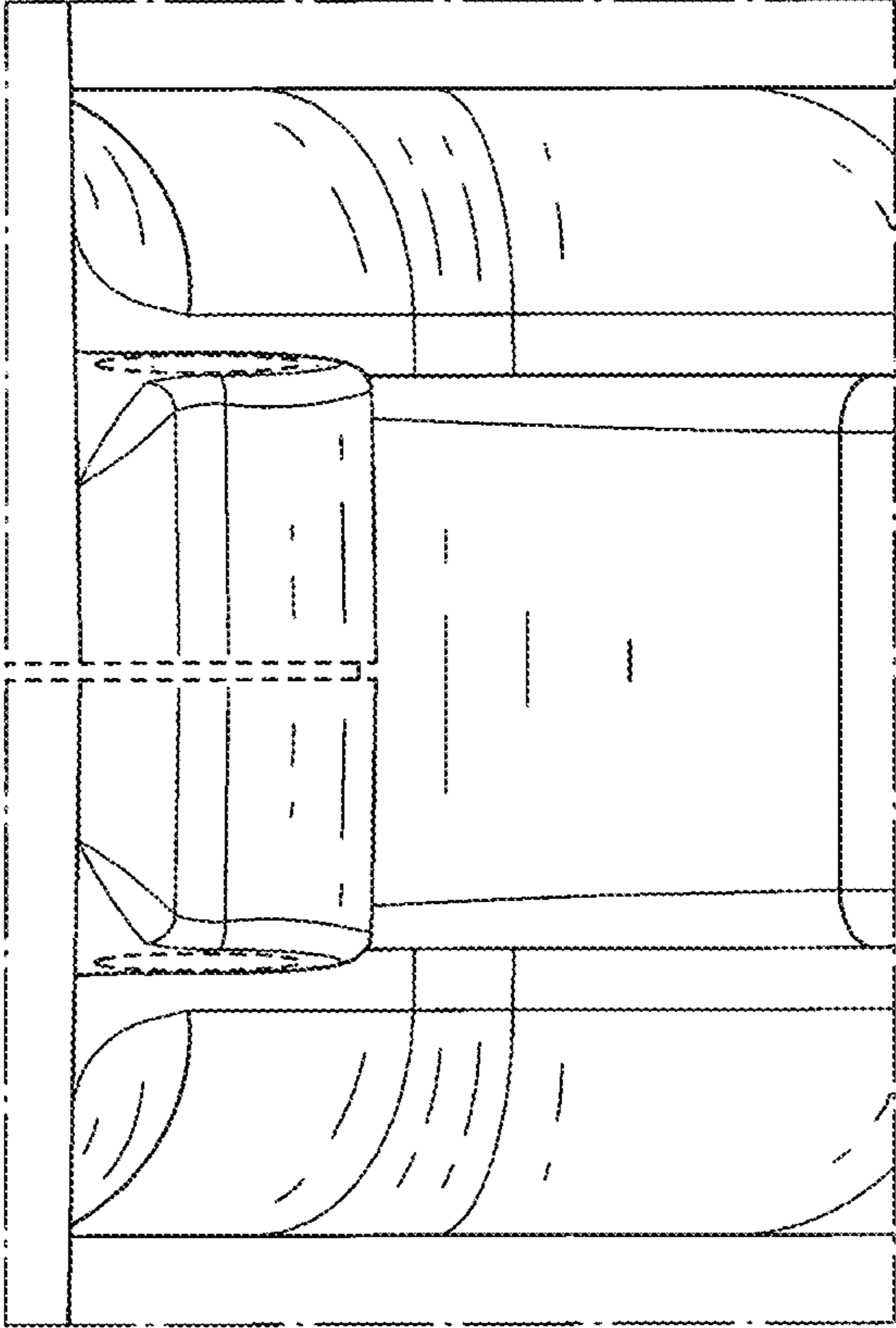


FIG. 9