



US00D909162S

(12) **United States Design Patent**  
**Stoops**

(10) **Patent No.:** **US D909,162 S**

(45) **Date of Patent:** **\*\* Feb. 2, 2021**

(54) **CAP REMOVER**

(71) Applicant: **Kevin Ray Stoops**, Bucyrus, KS (US)

(72) Inventor: **Kevin Ray Stoops**, Bucyrus, KS (US)

(\*\*) Term: **15 Years**

(21) Appl. No.: **29/676,588**

(22) Filed: **Jan. 11, 2019**

(51) **LOC (13) Cl.** ..... **07-99**

(52) **U.S. Cl.**  
USPC ..... **D8/34**

(58) **Field of Classification Search**  
USPC ..... D8/18, 33-43, 341; D3/207, 208, 211;  
D9/436, 454, 450, 443, 445  
CPC .... B67B 7/00; B67B 7/12; B67B 7/14; B67B  
7/16; B67B 7/164; B67B 7/18; B67B  
7/182; B67B 7/20; B67B 7/30; B67B  
7/38; B67B 7/44

See application file for complete search history.

(56) **References Cited**

**U.S. PATENT DOCUMENTS**

D30,411 S *	3/1899	Kahn	D8/382
D80,663 S *	3/1930	Moore et al.	D8/341
D167,899 S *	10/1952	Joannides	D8/34
D200,252 S *	2/1965	Brown	D8/18
3,311,264 A *	3/1967	Cayer	A47G 19/34 222/25
3,583,263 A *	6/1971	Herigstad	B67B 7/18 81/3.25
D222,231 S *	10/1971	Holtzman	D8/341
D259,704 S *	6/1981	Castronovo	D9/445
D277,458 S *	2/1985	Negggers	D9/443
4,528,933 A *	7/1985	Allen	A61J 7/04 116/308
4,666,051 A *	5/1987	Trick	B65D 41/06 116/308
4,731,512 A *	3/1988	Barriac	B65D 50/041 215/215

D295,024 S *	4/1988	Trick	D9/436
D316,950 S *	5/1991	Kaiser	D7/676
5,429,257 A *	7/1995	Greenfield	B65D 51/243 215/295
D374,623 S *	10/1996	Rafferty	D9/443
D380,387 S *	7/1997	Weiler	D9/520
D411,451 S *	6/1999	Young	D9/443
D422,503 S *	4/2000	Lehn	D7/511
D447,681 S *	9/2001	Kelleghan	D8/367
D475,603 S *	6/2003	Kelleghan	D8/356

(Continued)

**FOREIGN PATENT DOCUMENTS**

CN	305732024 S	4/2020
CN	305771897 S	5/2020

(Continued)

**OTHER PUBLICATIONS**

“Office Action received for Taiwan Application No. 108304191, dated May 29, 2020.”

(Continued)

*Primary Examiner* — Elizabeth A. Albert

(74) *Attorney, Agent, or Firm* — Kutak Rock LLP

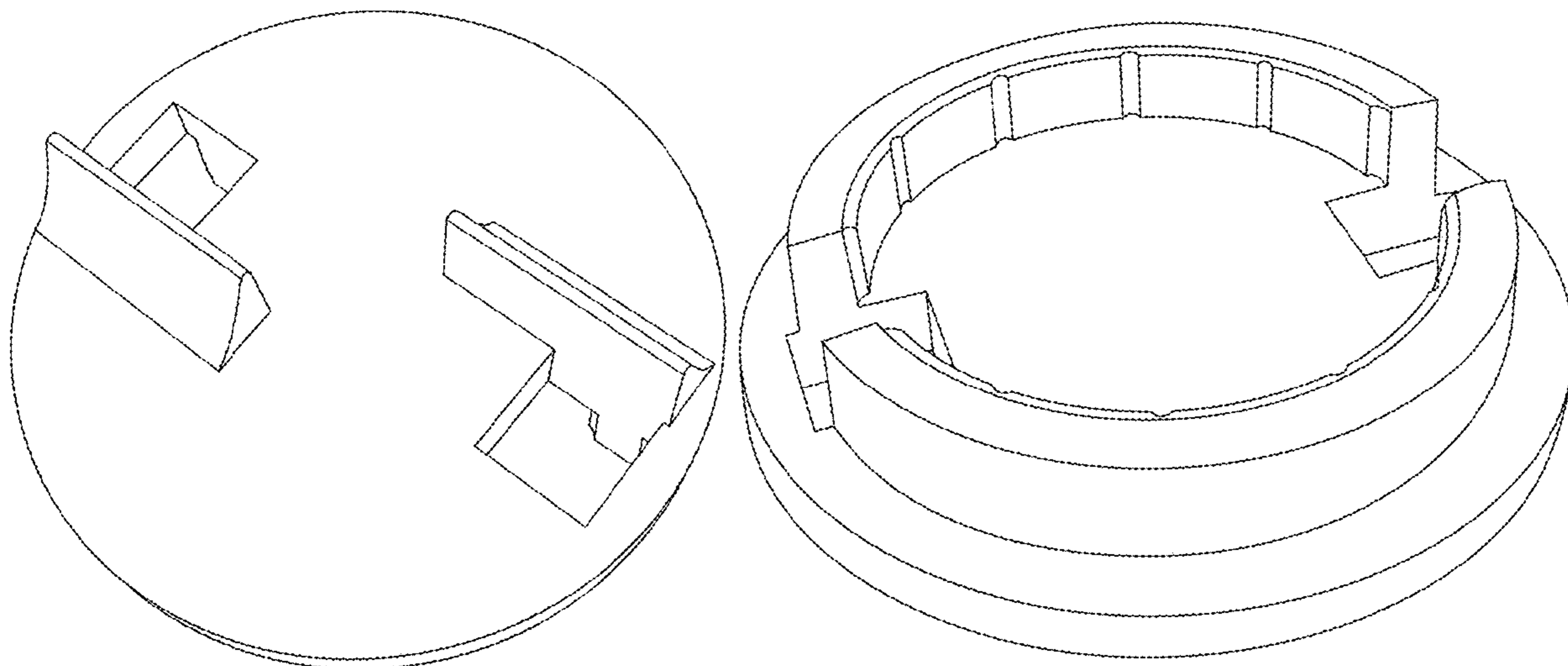
(57) **CLAIM**

The ornamental design for a cap remover, as shown and described.

**DESCRIPTION**

FIG. 1 is a top perspective view of a cap remover.  
 FIG. 2 is a top plan view thereof.  
 FIG. 3 is a right side elevation view thereof.  
 FIG. 4 is a left side elevation view thereof.  
 FIG. 5 is a front elevation view thereof.  
 FIG. 6 is a rear elevation view thereof.  
 FIG. 7 is a bottom perspective view thereof; and,  
 FIG. 8 is a bottom plan view thereof.

**1 Claim, 8 Drawing Sheets**



(56)

**References Cited**

U.S. PATENT DOCUMENTS

D479,800	S	*	9/2003	McRae	.....	D9/443
D549,569	S	*	8/2007	Palmer, III	.....	D8/499
D565,391	S	*	4/2008	Shetler	.....	D8/356
D578,256	S	*	10/2008	Miller	.....	D30/153
D605,011	S	*	12/2009	Jalet	.....	D8/41
D628,874	S	*	12/2010	Buerchner	.....	D8/356
D682,690	S	*	5/2013	Bowes	.....	D9/439
D734,536	S	*	7/2015	Sheynin	.....	D27/192
D742,241	S	*	11/2015	Shell-Schnitzer	.....	D9/443
D828,751	S	*	9/2018	Ploeger	.....	D9/435
D876,232	S	*	2/2020	Sibley	.....	D9/443

FOREIGN PATENT DOCUMENTS

TW		D151593	S	2/2013
TW		D157541	S	12/2013

OTHER PUBLICATIONS

- “First Notification on Correction of Deficiencies Received for China Application No. 201930368182.1 dated Dec. 13, 2019, 2 pages”.
- “First Notification on Correction of Deficiencies Received for China Application No. 201930368183.6 dated Dec. 12, 2019”.
- “Notice of Decision to Grant Received for Chinese application No. 201930368183.6 dated Mar. 20, 2020”.
- “Notice of Grounds for Rejection Received for Republic of Korea Application No. 30-2019-0033223 dated Dec. 26, 2019, 2 pages”.
- “Office Action received for Taiwan Application No. 108304191, dated Feb. 26, 2020, 3 pages”.
- “Notice of Decision to Grant Received for Chinese application No. 201930368182.1 dated Apr. 2, 2020, 5 pages”.

\* cited by examiner

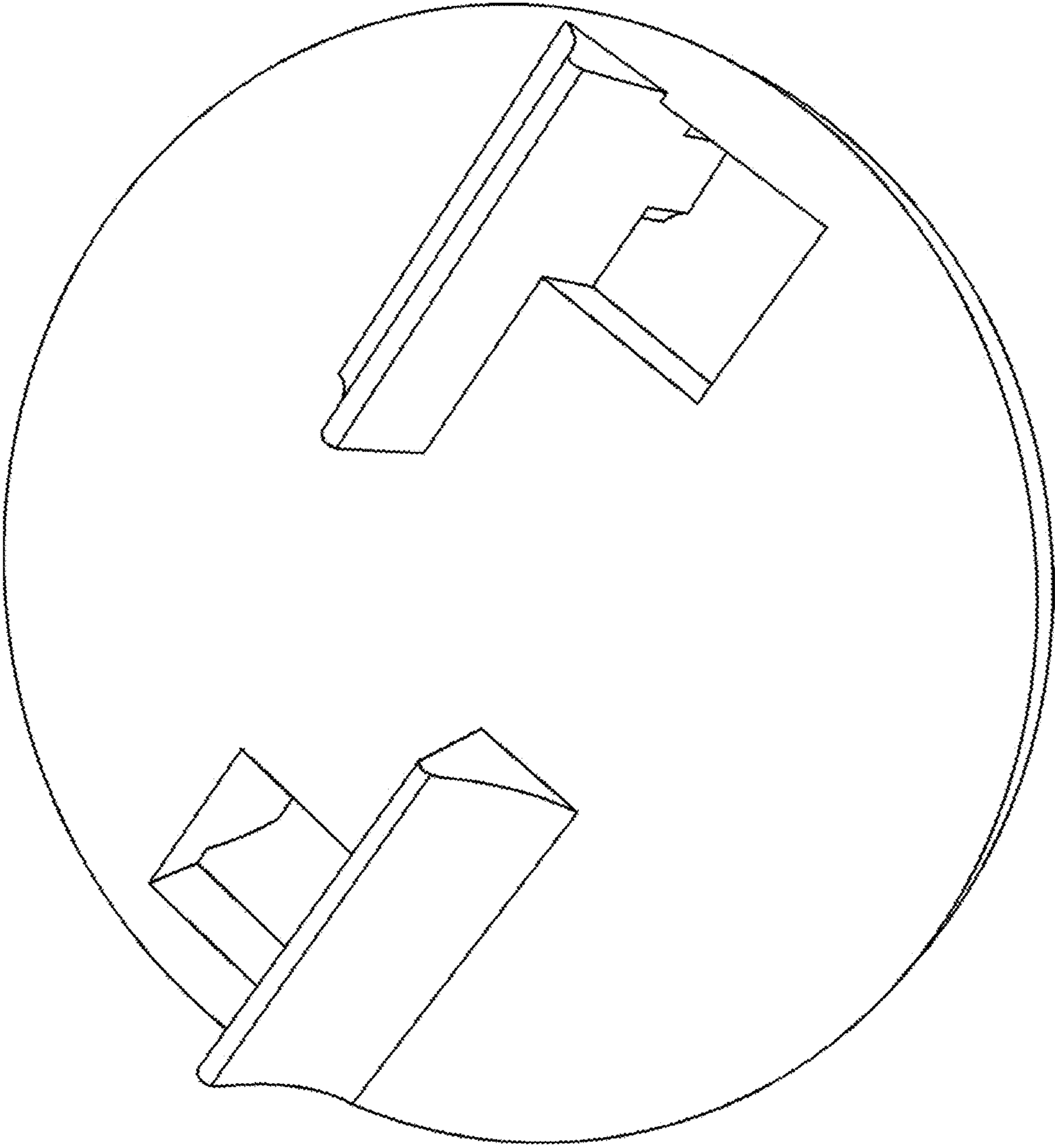


Fig. 1

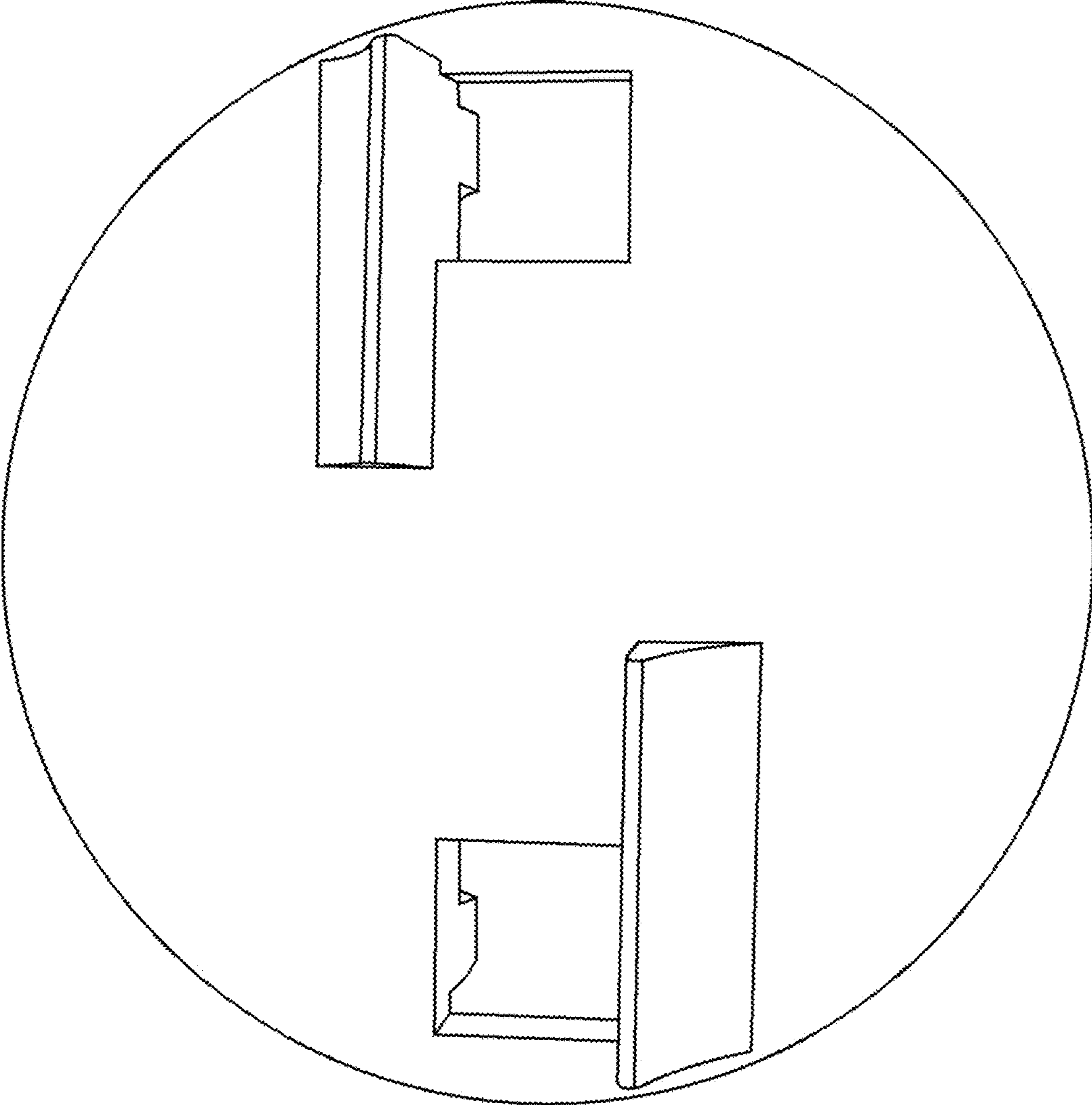


Fig. 2

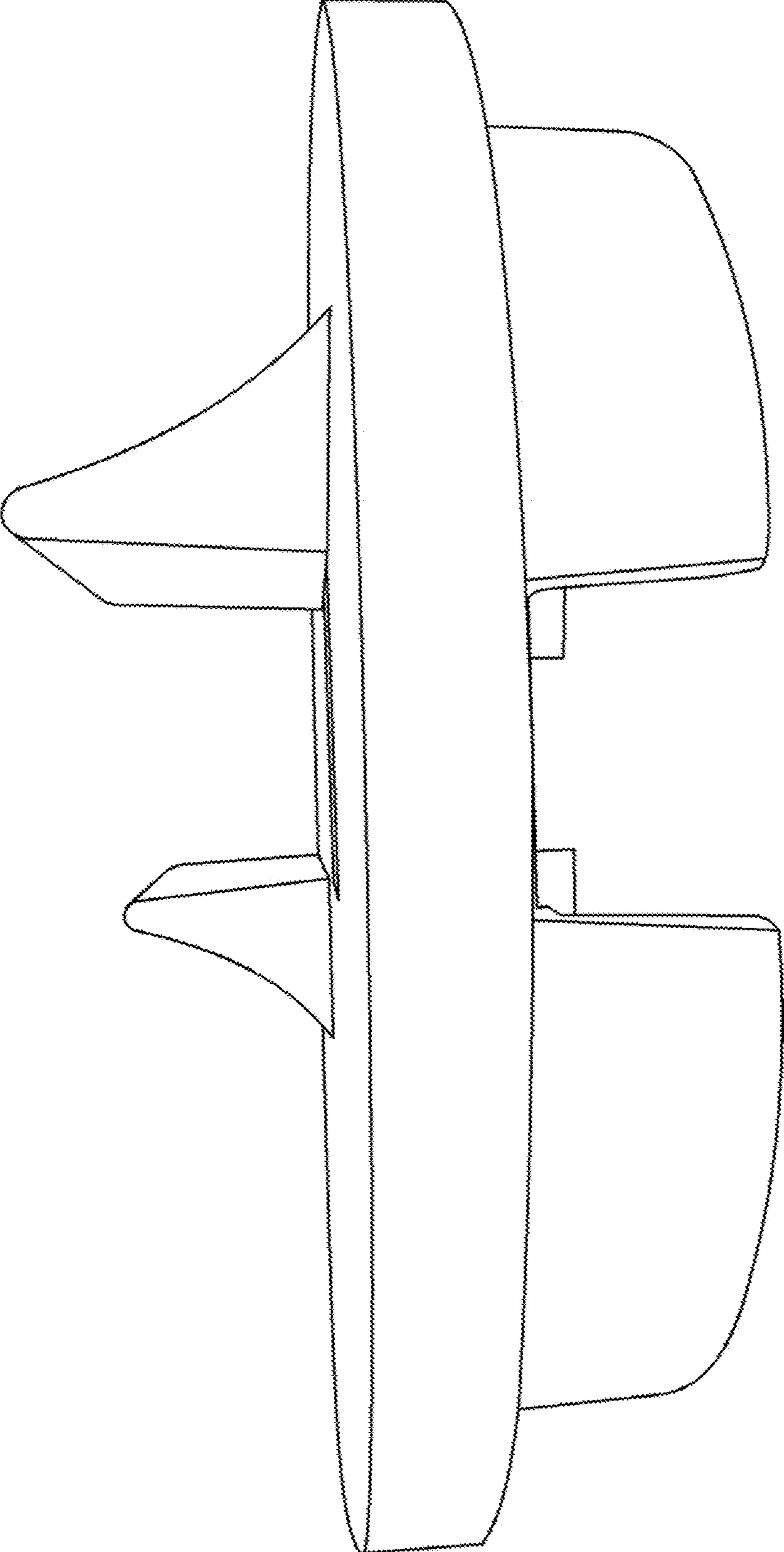


Fig. 3

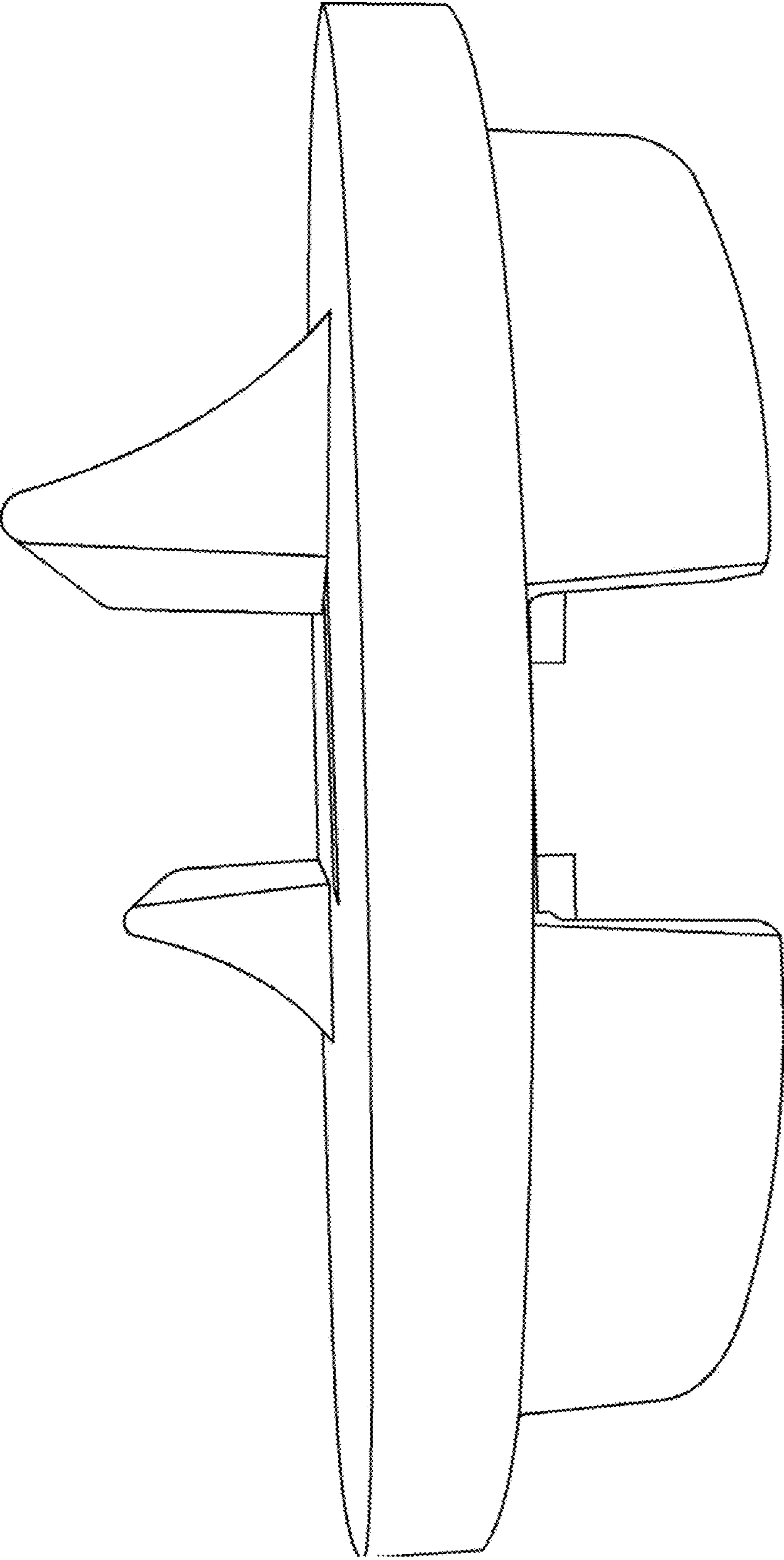


Fig. 4

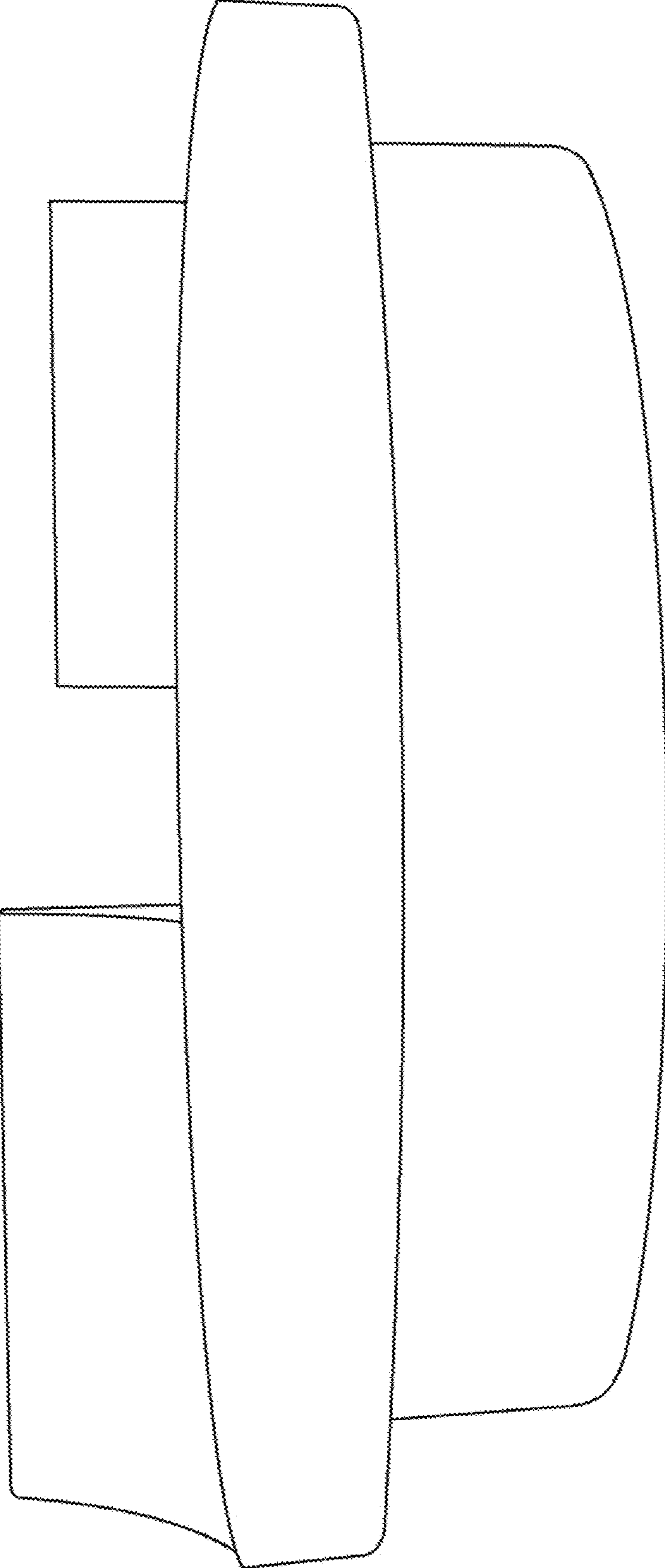


Fig. 5

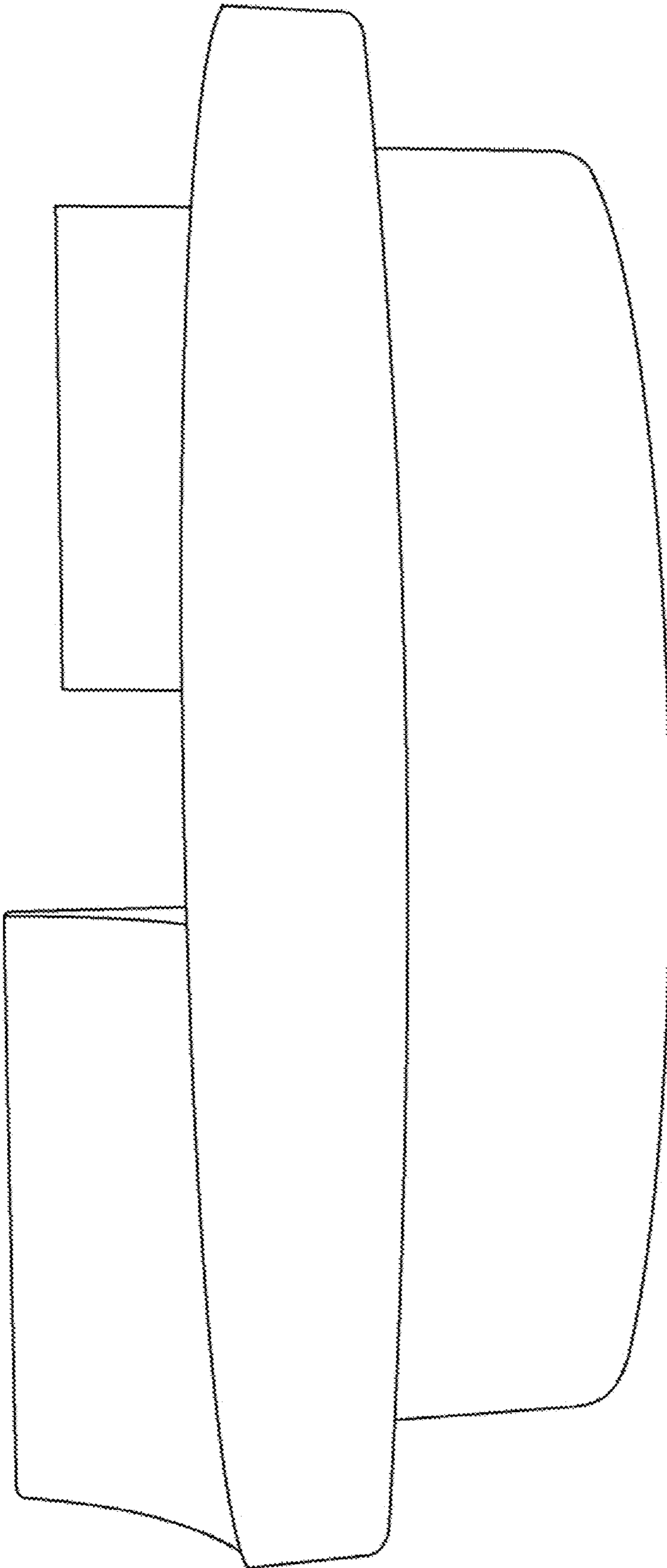


Fig. 6



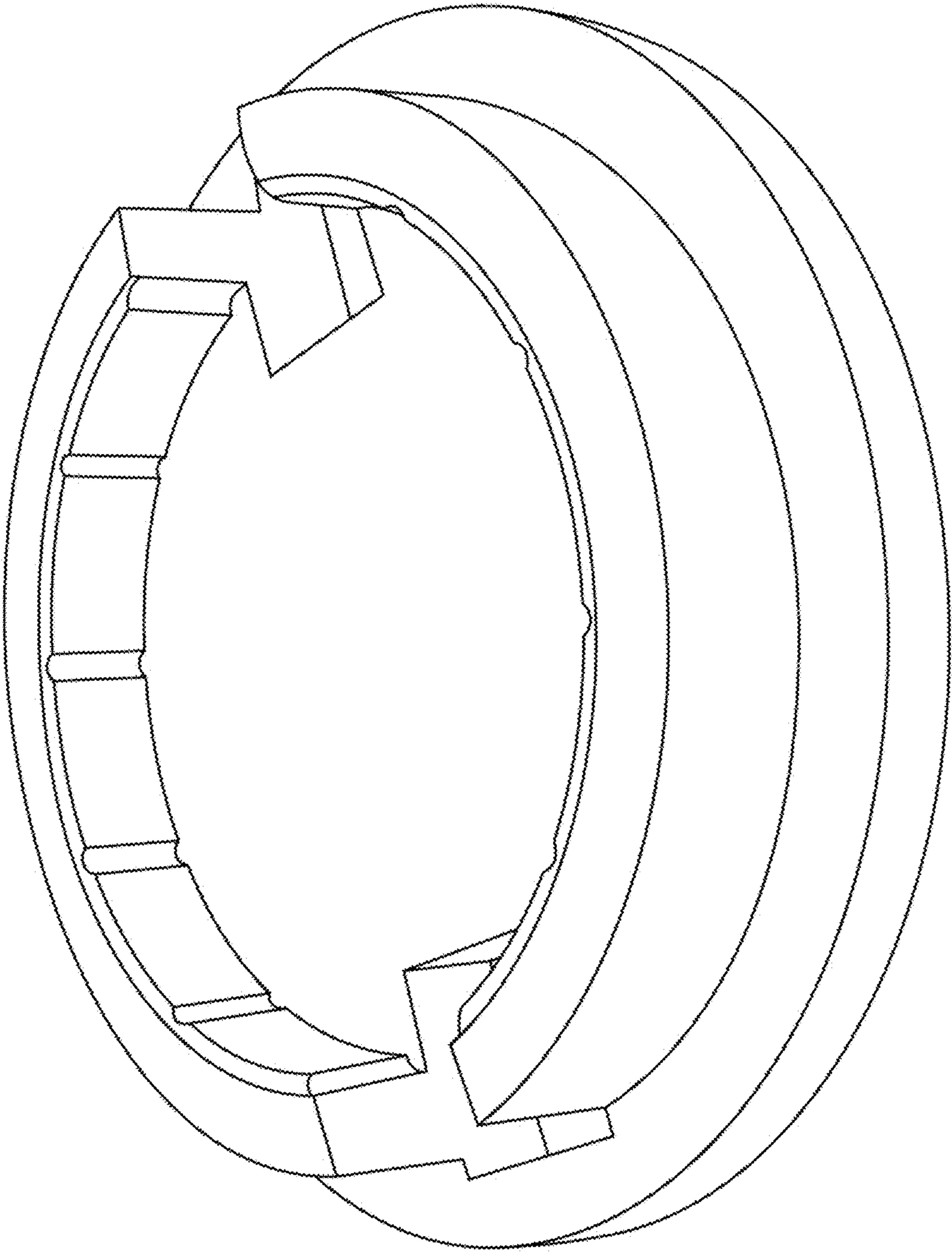


Fig. 7

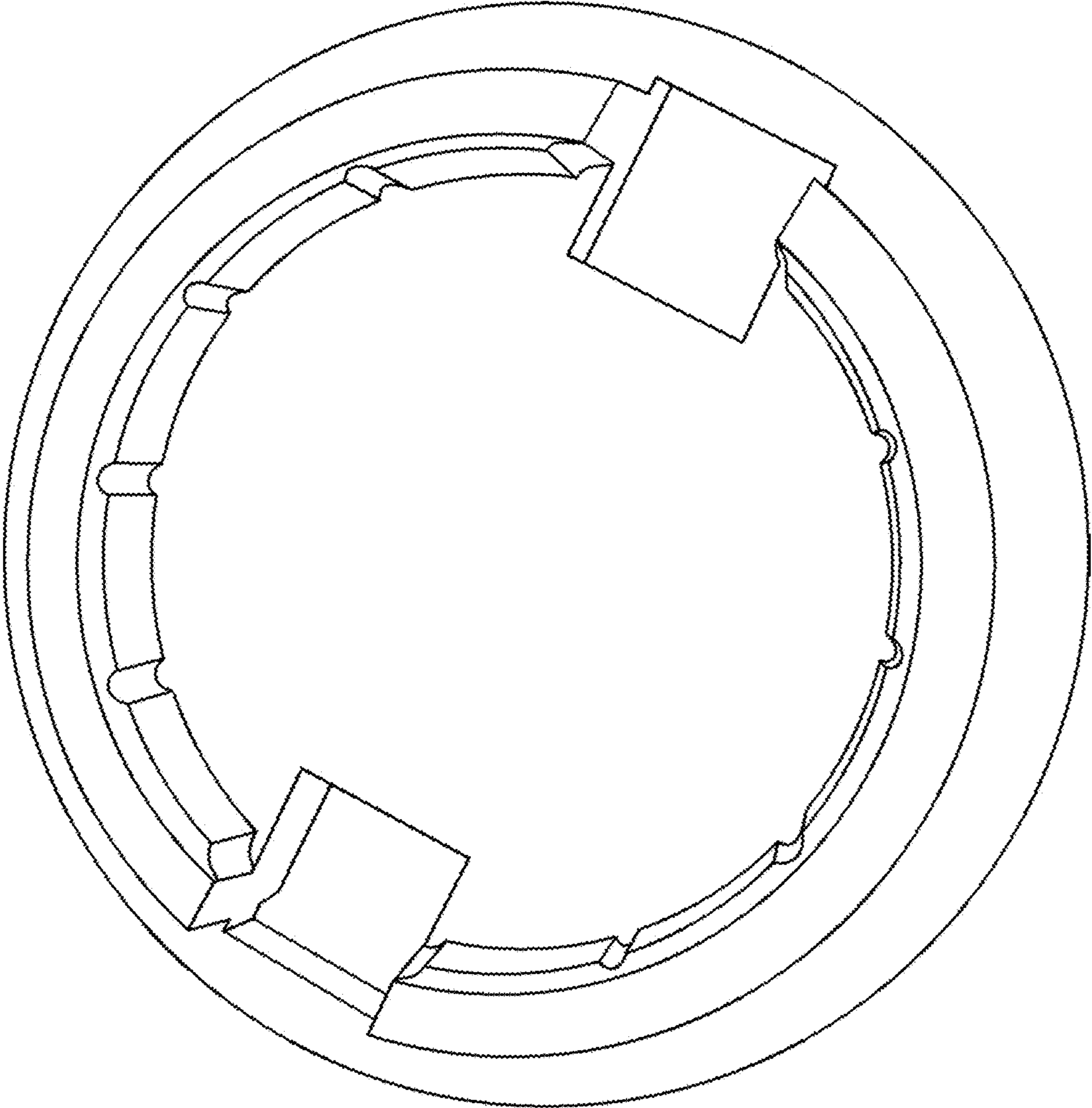


Fig. 8