



US00D909159S

(12) **United States Design Patent** (10) **Patent No.:** **US D909,159 S**
Heath et al. (45) **Date of Patent:** **** Feb. 2, 2021**

(54) **SAW BLADE**

(71) Applicant: **MILWAUKEE ELECTRIC TOOL CORPORATION**, Brookfield, WI (US)

(72) Inventors: **Peter R. Heath**, Sussex, WI (US); **Bryan C. Ward**, Wauwatosa, WI (US); **Christopher J. Rechlin**, Menomonee Falls, WI (US); **Austin J. Kazda**, Wauwatosa, WI (US); **Matthew B. Lois**, Oconomowoc, WI (US)

(73) Assignee: **Milwaukee Electric Tool Corporation**, Brookfield, WI (US)

(**) Term: **15 Years**

(21) Appl. No.: **29/668,244**

(22) Filed: **Oct. 29, 2018**

Related U.S. Application Data

(62) Division of application No. 29/604,199, filed on May 16, 2017, now Pat. No. Des. 835,954.

(51) **LOC (13) Cl.** **08-03**

(52) **U.S. Cl.**
USPC **D8/20**

(58) **Field of Classification Search**
USPC D8/20, 98, 99, 100, 101, 70
(Continued)

(56) **References Cited**

U.S. PATENT DOCUMENTS

2,573,573 A 10/1951 Jenkins
3,028,889 A 4/1962 McCarty
(Continued)

FOREIGN PATENT DOCUMENTS

EP 3162484 A1 5/2017
JP 2007290112 A 11/2007
WO 2005096949 A2 10/2005

Primary Examiner — Elizabeth A. Albert

(74) *Attorney, Agent, or Firm* — Michael Best & Friedrich LLP

(57) **CLAIM**

We claim the ornamental design for a saw blade, as shown and described.

DESCRIPTION

FIG. 1 is a perspective view of a saw blade according to one embodiment.

FIG. 2 is a side view of the saw blade of FIG. 1.

FIG. 3 is a first end view of the saw blade of FIG. 1.

FIG. 4 is a second end view of the saw blade of FIG. 1.

FIG. 5 is a top view of the saw blade of FIG. 1.

FIG. 6 is a bottom view of the saw blade of FIG. 1.

FIG. 7 is a perspective view of a saw blade according to another embodiment.

FIG. 8 is a side view of the saw blade of FIG. 7.

FIG. 9 is a first end view of the saw blade of FIG. 7.

FIG. 10 is a second end view of the saw blade of FIG. 7.

FIG. 11 is a top view of the saw blade of FIG. 7.

FIG. 12 is a bottom view of the saw blade of FIG. 7.

FIG. 13 is a perspective view of a saw blade according to another embodiment.

FIG. 14 is a side view of the saw blade of FIG. 13.

FIG. 15 is a first end view of the saw blade of FIG. 13.

FIG. 16 is a second end view of the saw blade of FIG. 13.

FIG. 17 is a top view of the saw blade of FIG. 13.

FIG. 18 is a bottom view of the saw blade of FIG. 13.

FIG. 19 is a perspective view of a saw blade according to another embodiment.

FIG. 20 is a side view of the saw blade of FIG. 19.

FIG. 21 is a first end view of the saw blade of FIG. 19.

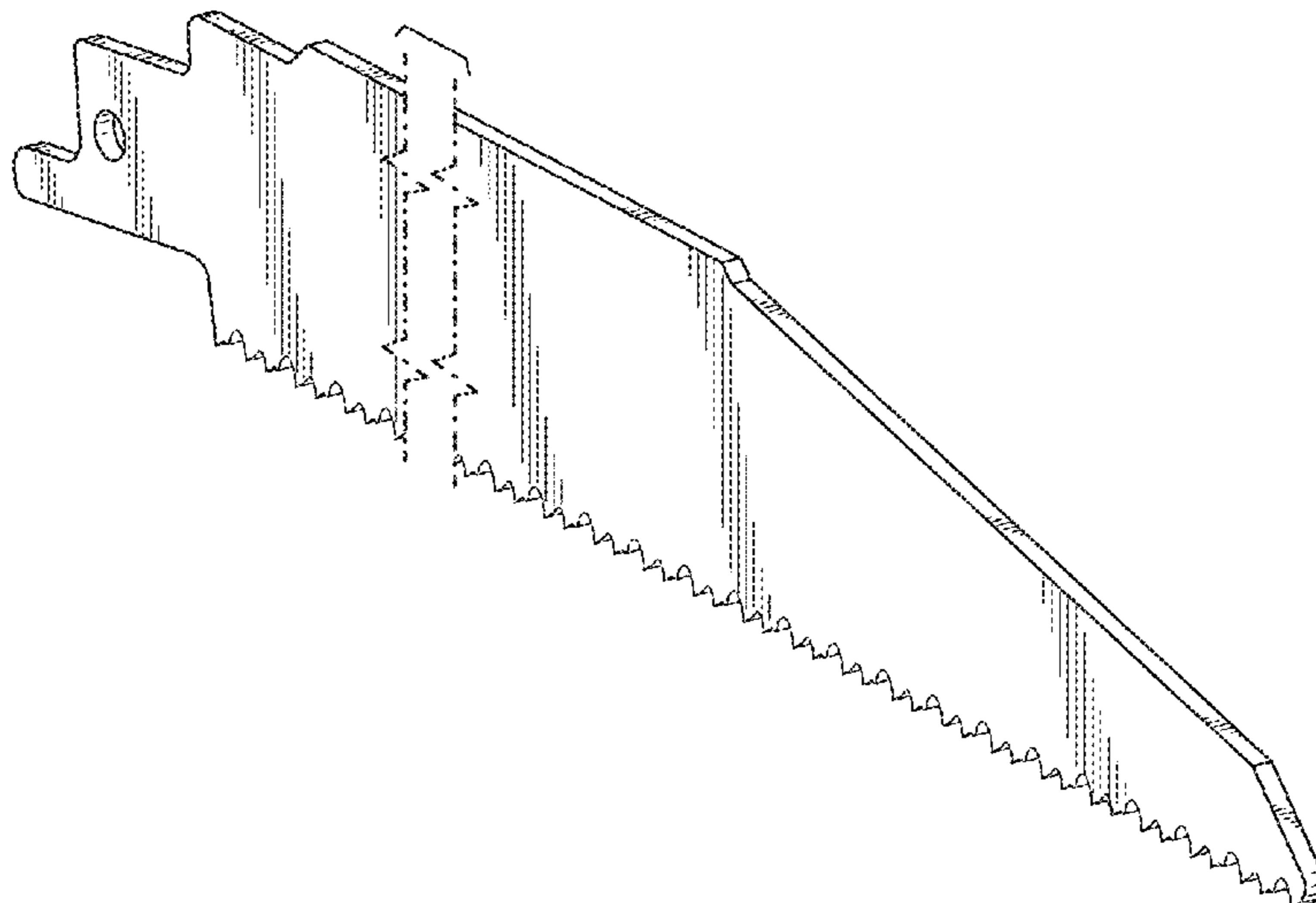
FIG. 22 is a second end view of the saw blade of FIG. 19.

FIG. 23 is a top view of the saw blade of FIG. 19; and,

FIG. 24 is a bottom view of the saw blade of FIG. 19.

The broken away symbols in the drawings indicate the appearance of any portion of the saw blade between the break lines forms no part of the claimed design.

1 Claim, 12 Drawing Sheets



(58) **Field of Classification Search**
 CPC B23D 49/14; B23D 51/10; B23D 61/02;
 B23D 61/025; B23D 61/026; B23D
 61/12; B23D 61/121; B23D 61/123;
 B23D 61/126; B23D 61/127; B23D
 61/128; B23D 61/006; B23D 61/14;
 B23D 61/18; B26B 5/00; B26B 9/00;
 B26B 9/02

See application file for complete search history.

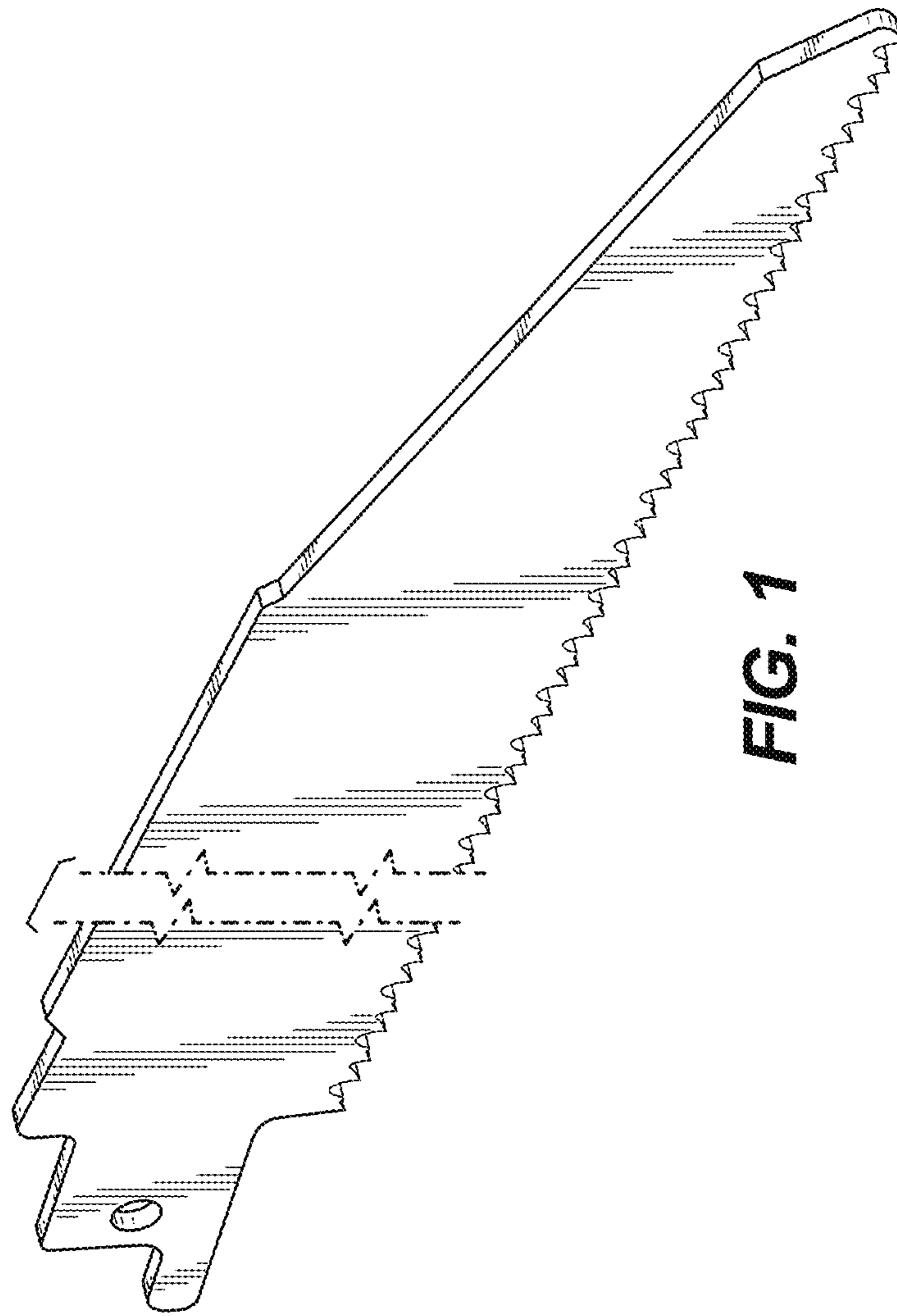
(56) **References Cited**

U.S. PATENT DOCUMENTS

D217,428 S	5/1970	Quedens	
D352,218 S	11/1994	Nygards	
5,443,276 A *	8/1995	Nasser	B23D 51/10 279/77
5,606,900 A	3/1997	Stoddard	
D438,549 S	3/2001	Tsujimoto	
D465,138 S *	11/2002	Raines	D8/20
D472,408 S	4/2003	Carroll, III	
D482,945 S	12/2003	Grolimund	
6,715,211 B1 *	4/2004	Chi	B23D 51/10 30/329
D503,597 S	4/2005	Snape et al.	
D527,233 S	8/2006	Burke, III	
7,127,979 B2	10/2006	Kocher et al.	
D686,049 S *	7/2013	Ji	D8/20
8,596,166 B2 *	12/2013	Bucks	B23D 61/121 76/112

8,689,667 B2	4/2014	Butzen et al.	
8,776,659 B2	7/2014	Butzen et al.	
D725,450 S	3/2015	Hampton et al.	
9,079,259 B2	7/2015	Grolimund	
9,248,518 B2	2/2016	Elliston et al.	
D751,445 S	3/2016	Glotche	
10,112,244 B2 *	10/2018	Butzen	B23D 61/121
D835,809 S	12/2018	Marshall	
10,363,619 B2 *	7/2019	George	B23D 61/121
2002/0184981 A1	12/2002	Tsujimoto	
2002/0184988 A1	12/2002	Rohman et al.	
2004/0163264 A1 *	8/2004	Simonz	B23D 49/14 30/517
2005/0211023 A1 *	9/2005	Kalo	B23D 61/123 76/112
2005/0211046 A1 *	9/2005	Thomas	B23D 61/121 83/855
2006/0016315 A1	1/2006	Zorich et al.	
2006/0065098 A1	3/2006	Cranna	
2009/0145280 A1	6/2009	Bucks et al.	
2011/0271815 A1	11/2011	Elliston et al.	
2012/0090443 A1	4/2012	Butzen et al.	
2013/0333541 A1 *	12/2013	Karlen	B23D 65/00 83/835
2014/0020531 A1	1/2014	Tsujimoto	
2014/0283667 A1	9/2014	Butzen et al.	
2017/0120356 A1	5/2017	George et al.	
2017/0326661 A1	11/2017	Butzen et al.	
2018/0099342 A1 *	4/2018	Muti	B23D 61/123

* cited by examiner



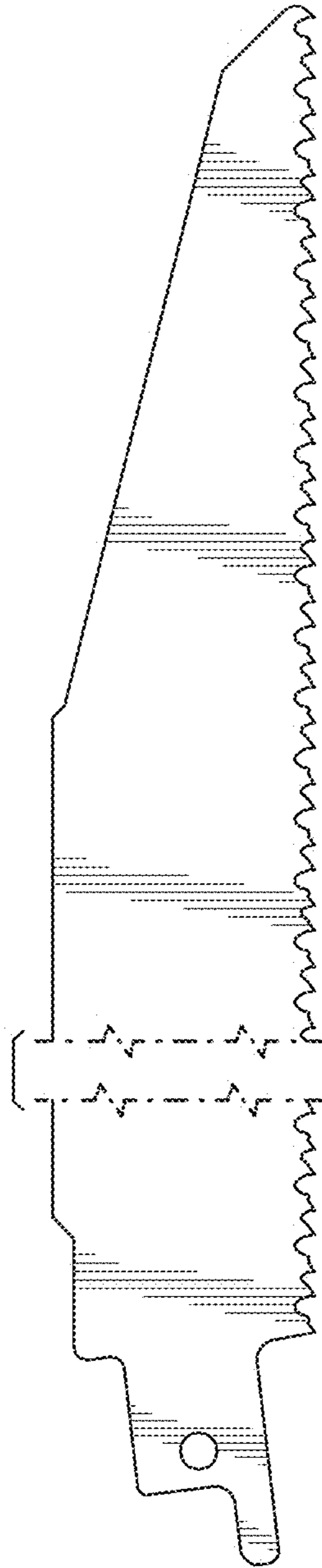


FIG. 2

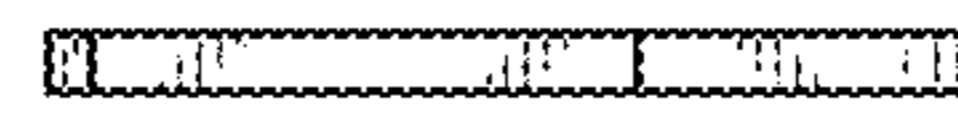


FIG. 3



FIG. 4

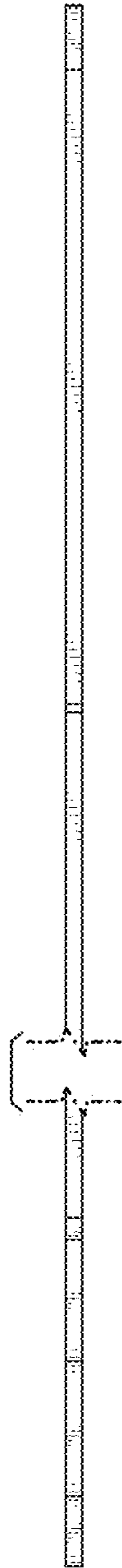


FIG. 5

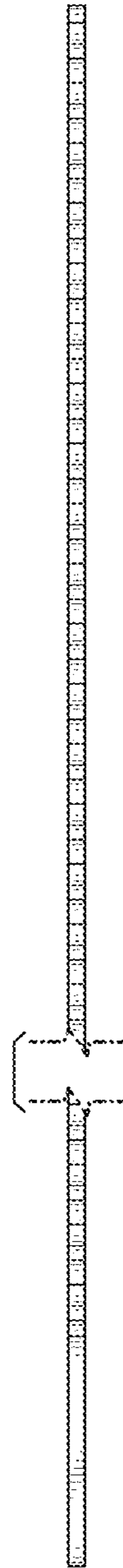


FIG. 6

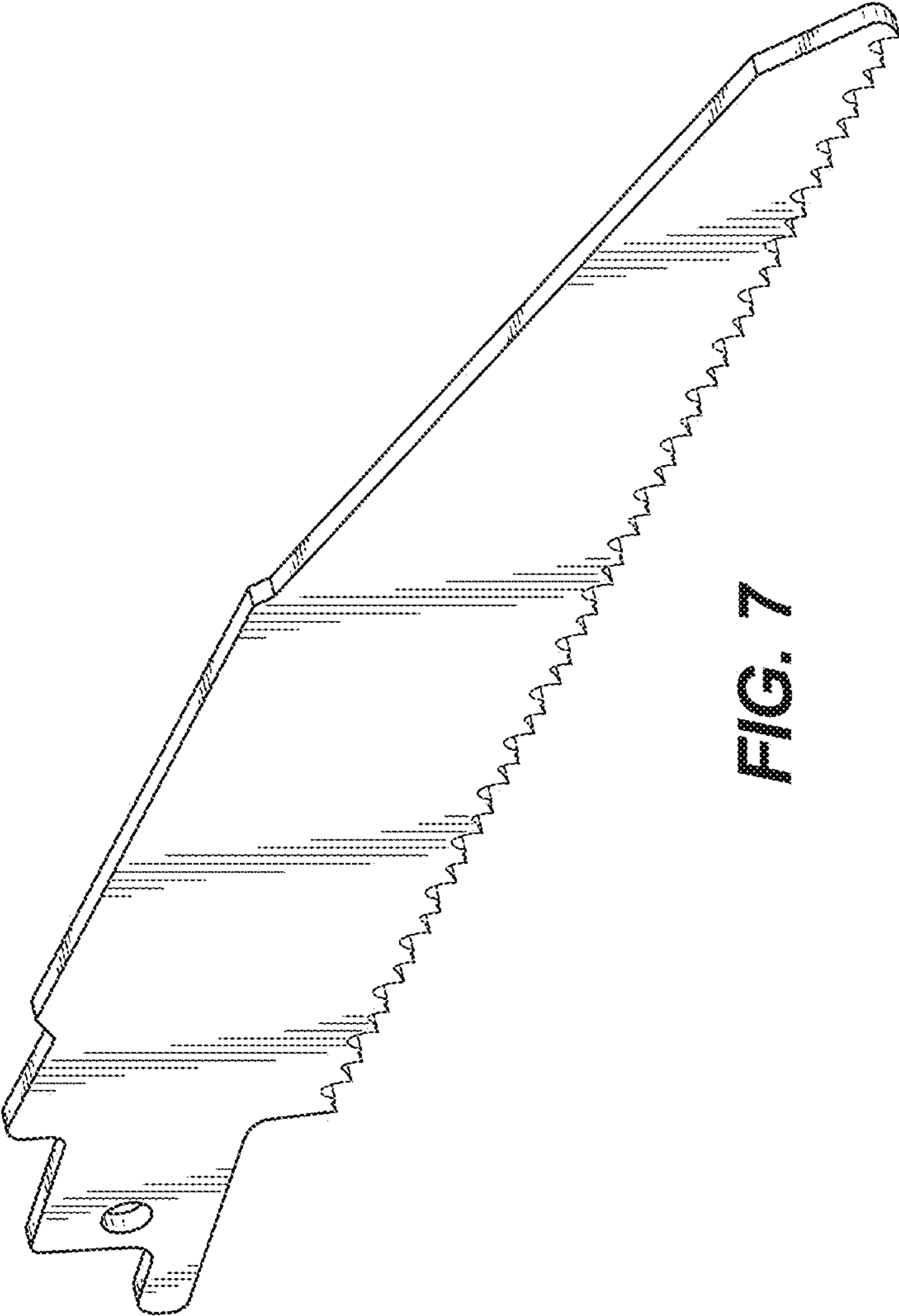


FIG. 7

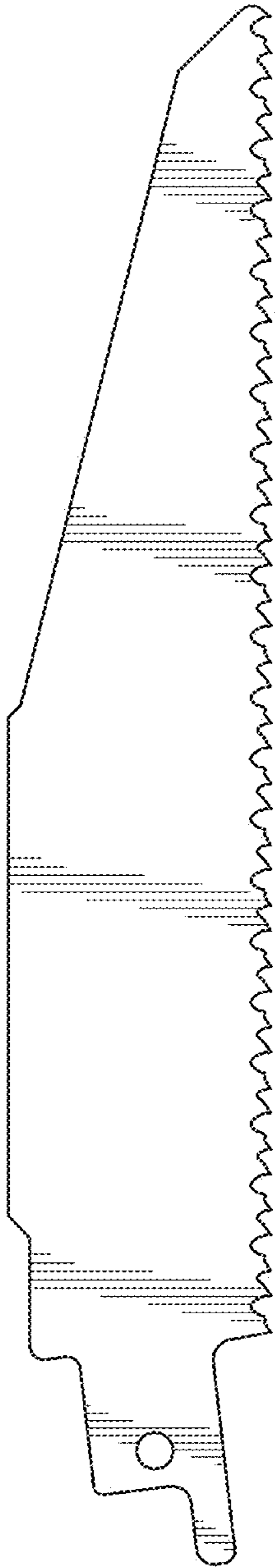


FIG. 8



FIG. 9

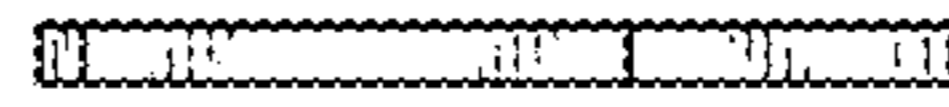


FIG. 10

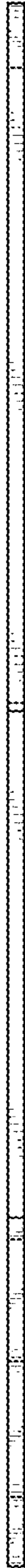


FIG. 11

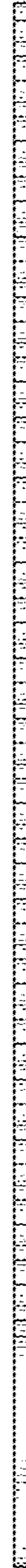


FIG. 12

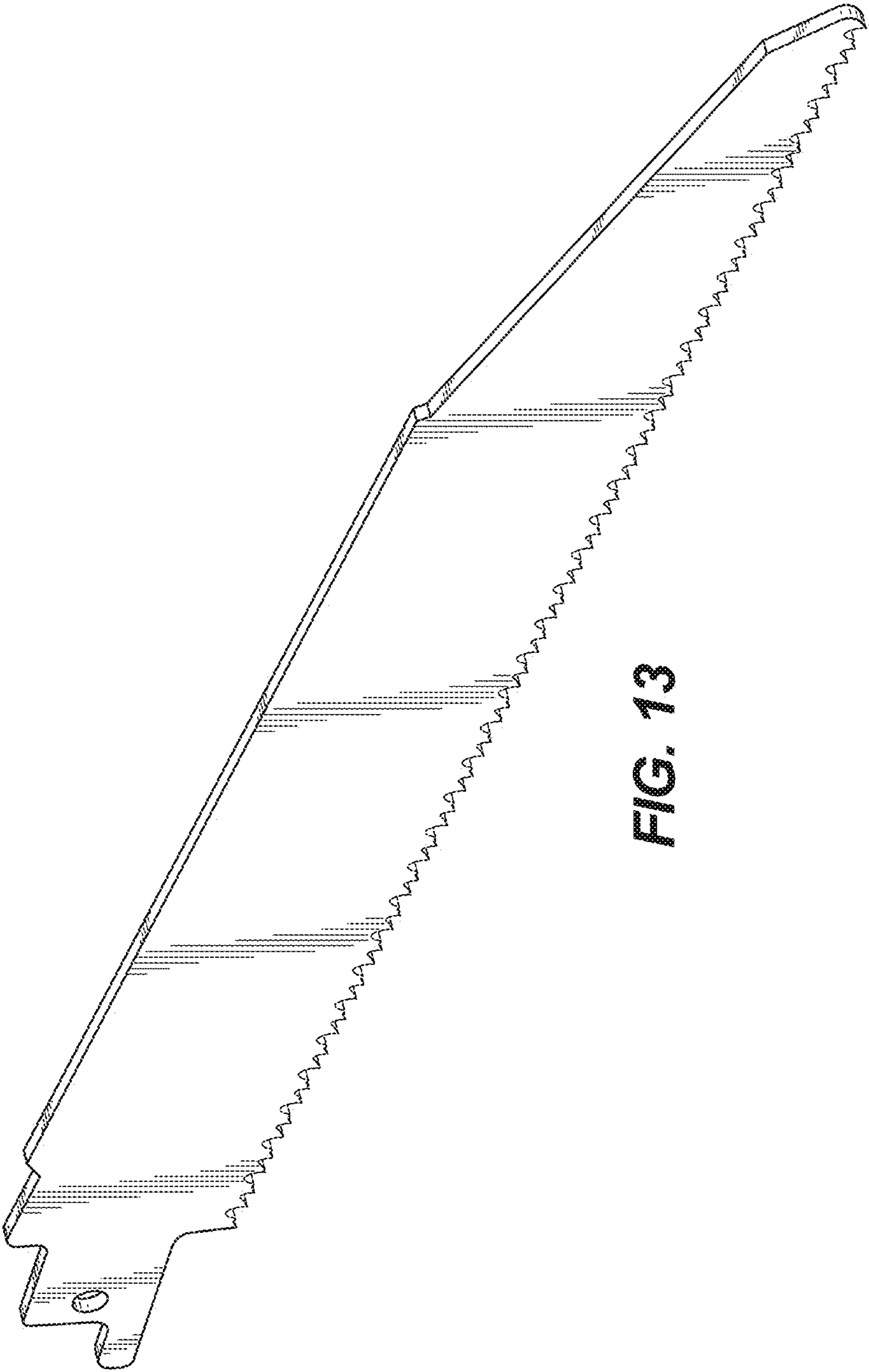


FIG. 13

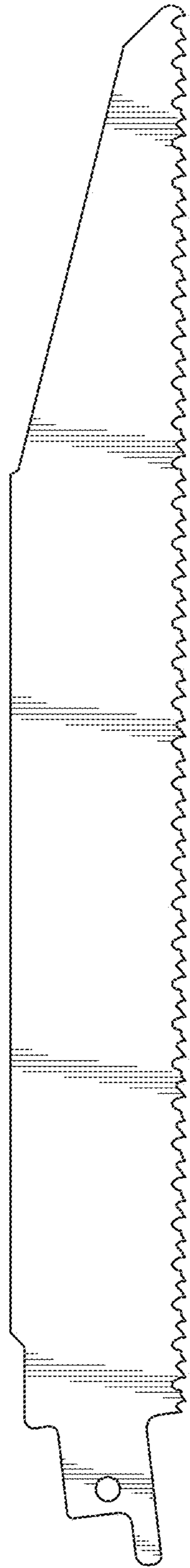


FIG. 14

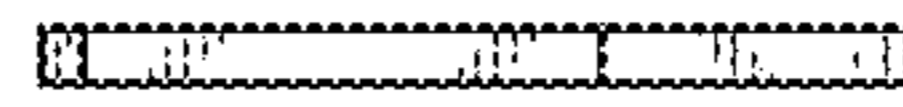


FIG. 15

FIG. 16



FIG. 17



FIG. 18

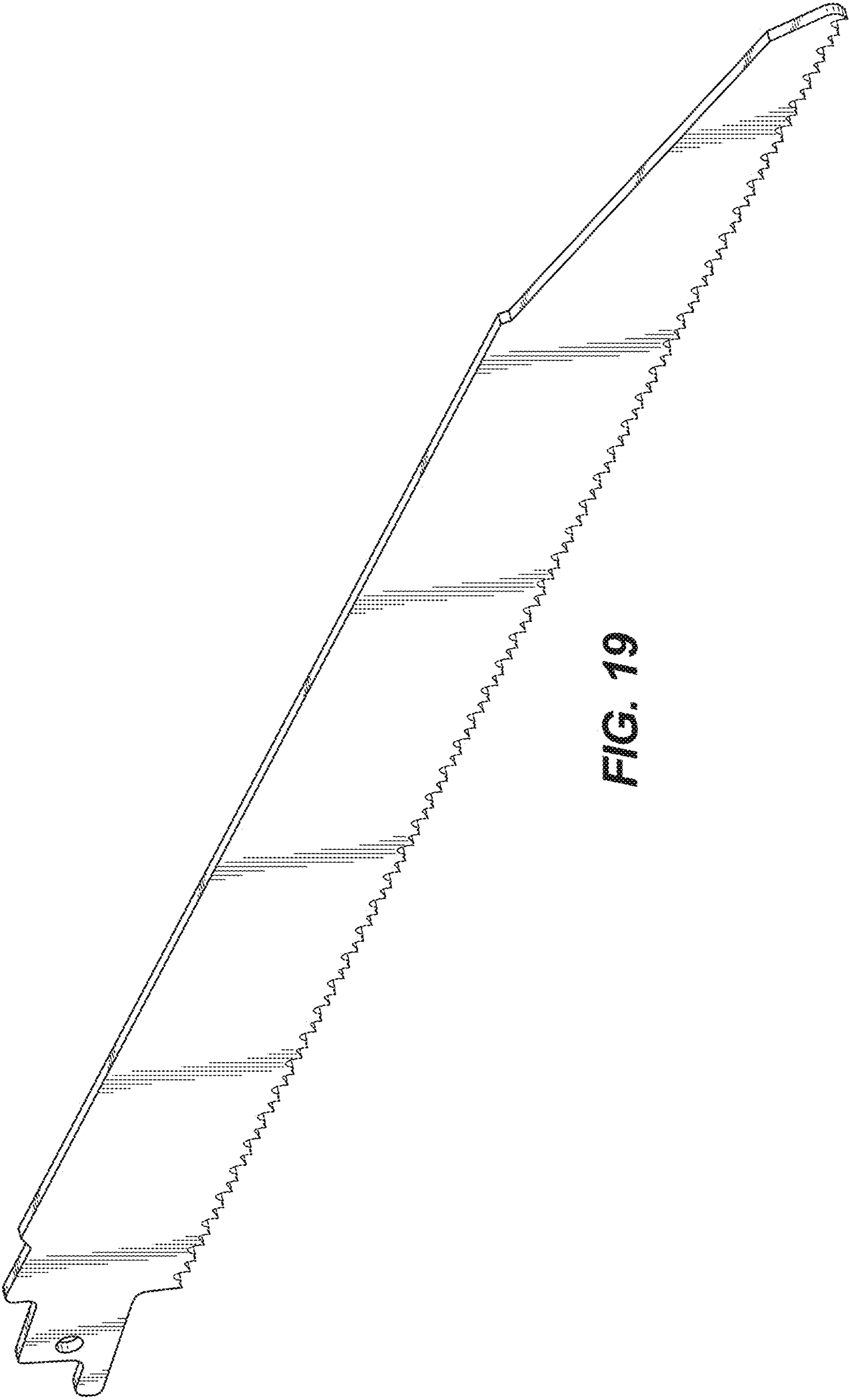


FIG. 19

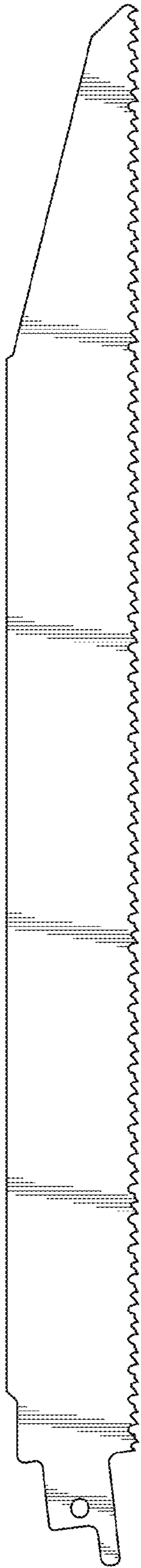


FIG. 20



FIG. 21

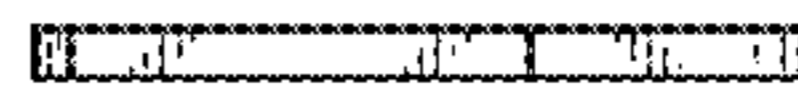


FIG. 22



FIG. 23



FIG. 24